



US00D377490S

United States Patent [19]

Zeitman

[11] Patent Number: **Des. 377,490**

[45] Date of Patent: ****Jan. 21, 1997**

[54] **CASSETTE PLAYER**

[75] Inventor: **Josh Zeitman**, Brooklyn, N.Y.

[73] Assignee: **Lenoxx Electronics Corp.**, Brooklyn, N.Y.

[**] Term: **14 Years**

[21] Appl. No.: **45,138**

[22] Filed: **Oct. 10, 1995**

[52] U.S. Cl. **D14/165**

[58] Field of Search D14/124, 160-168, D14/188-189, 192-198, 217, 257, 260, 299; D21/111-113; 455/344, 347-351

[56] **References Cited**

U.S. PATENT DOCUMENTS

- D. 230,609 3/1974 Ebata D14/165
- D. 277,474 2/1985 Miura D14/165
- D. 304,832 11/1989 Murphy D21/113 X
- D. 317,765 6/1991 Nomizu et al. D14/161 X

D. 318,667 7/1991 Ikeyama et al. D14/165

Primary Examiner—Sandra L. Morris

Assistant Examiner—Nanda Bondade

Attorney, Agent, or Firm—Burns, Doane, Swecker & Mathis

[57] **CLAIM**

The ornamental design for “a cassette player”, as shown and described.

DESCRIPTION

FIG. 1 is a front view of a cassette player showing my new design;

FIG. 2 is a rear view thereof with the handle being depicted in a slightly lower position than in the other figures;

FIG. 3 is a top plan view thereof;

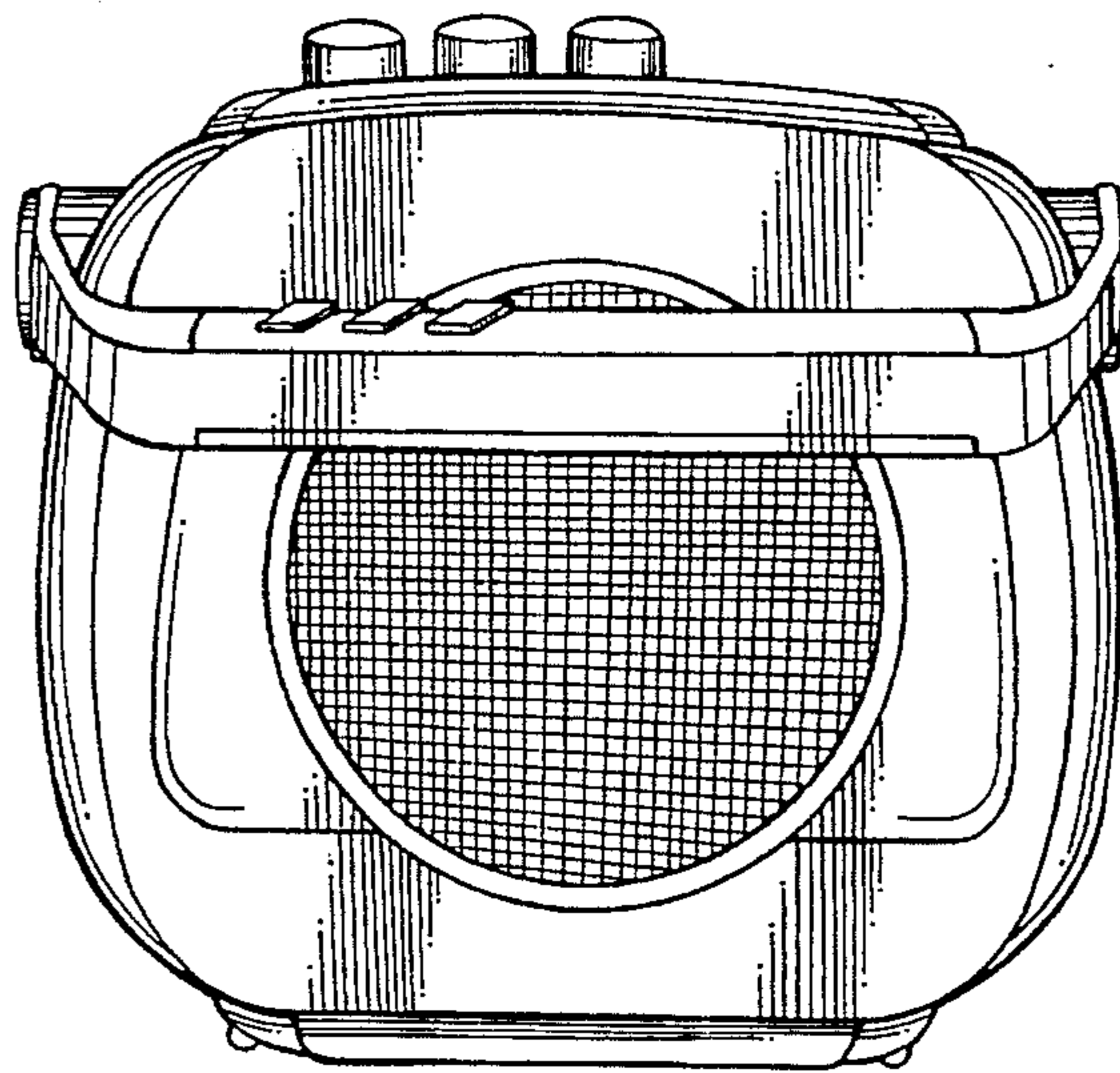
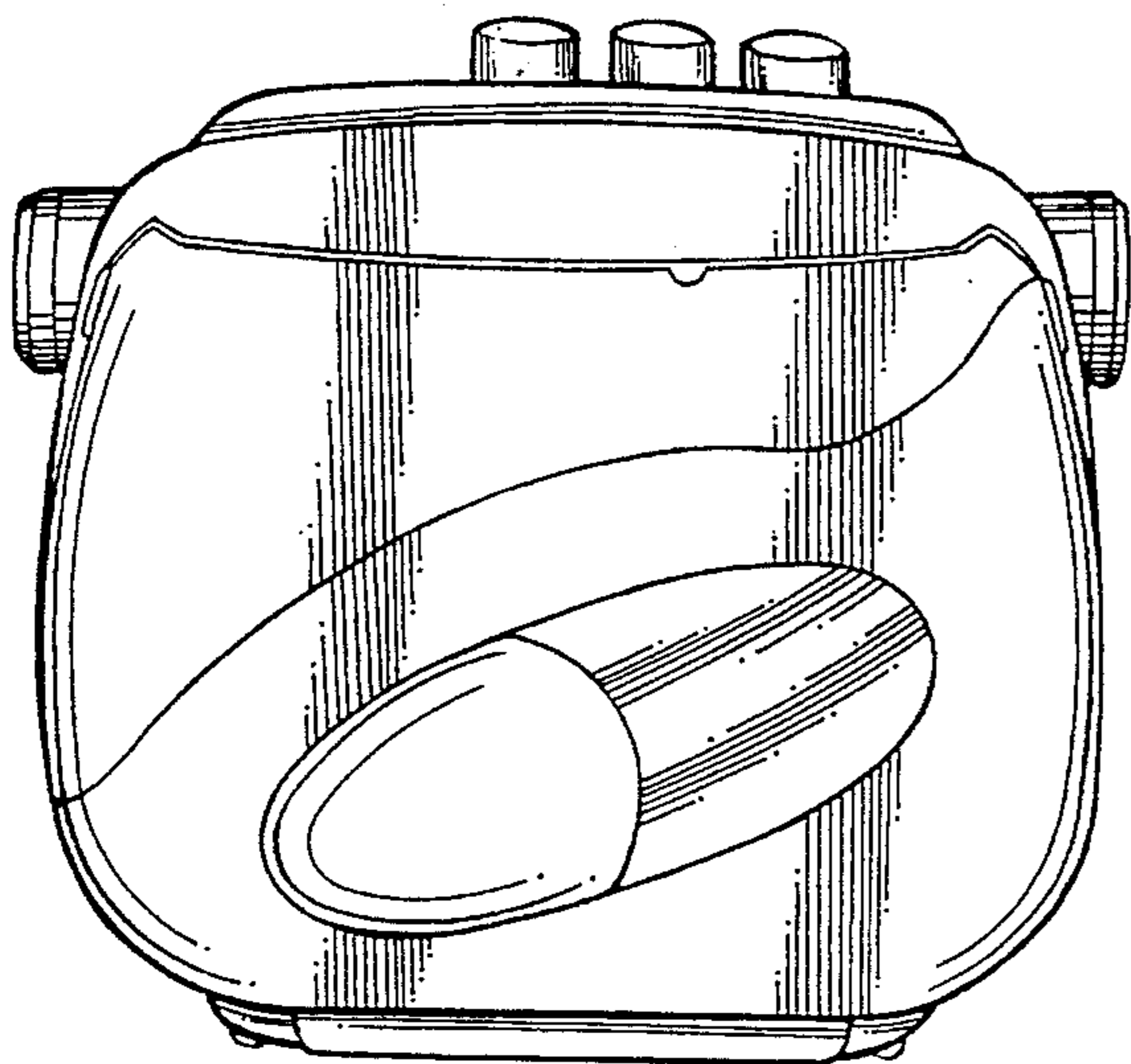
FIG. 4 is a bottom plan view thereof;

FIG. 5 is a left side elevational view thereof;

FIG. 6 is a right side elevational view thereof; and,

FIG. 7 is a perspective view thereof.

1 Claim, 4 Drawing Sheets



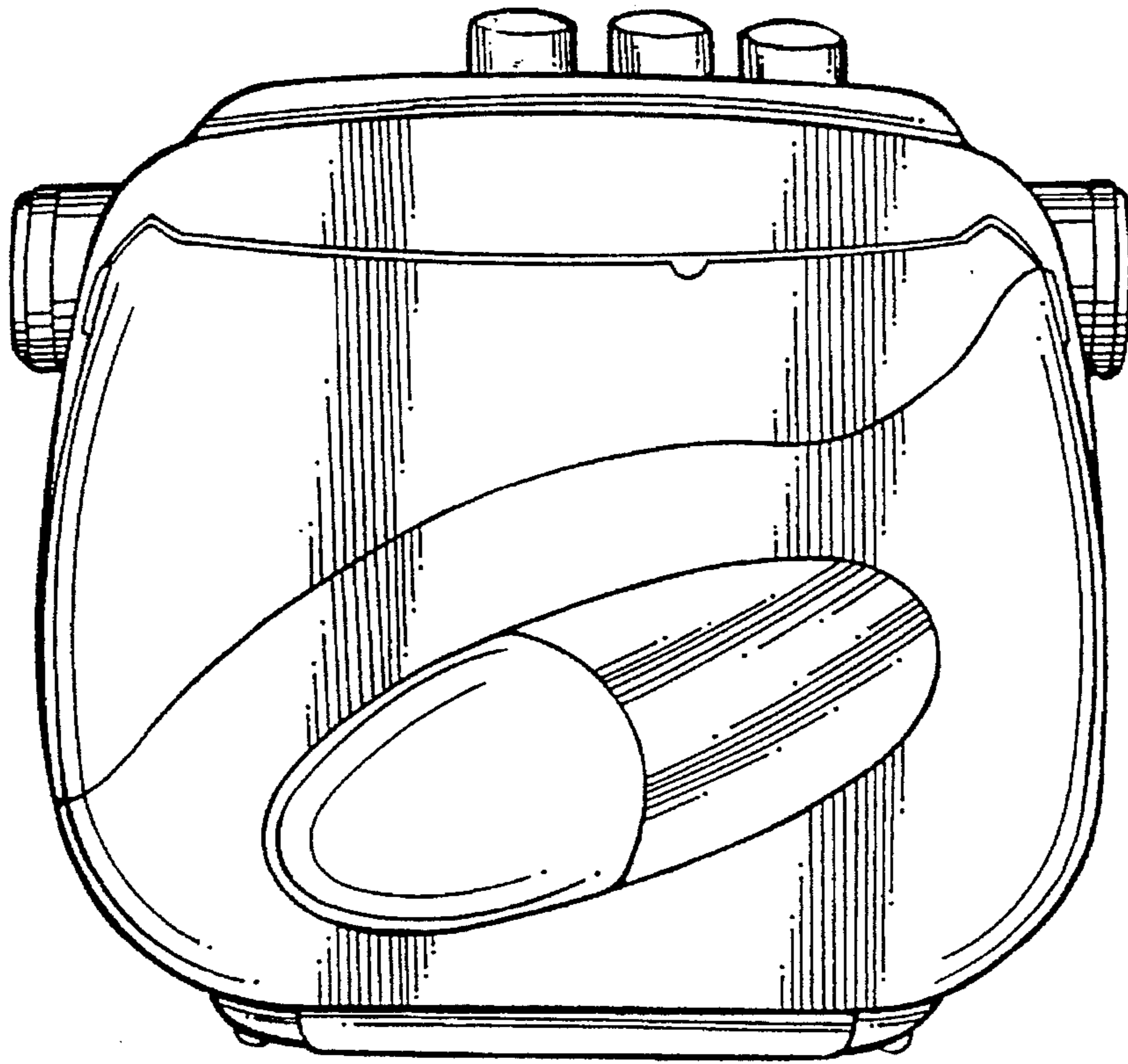


FIG. 1

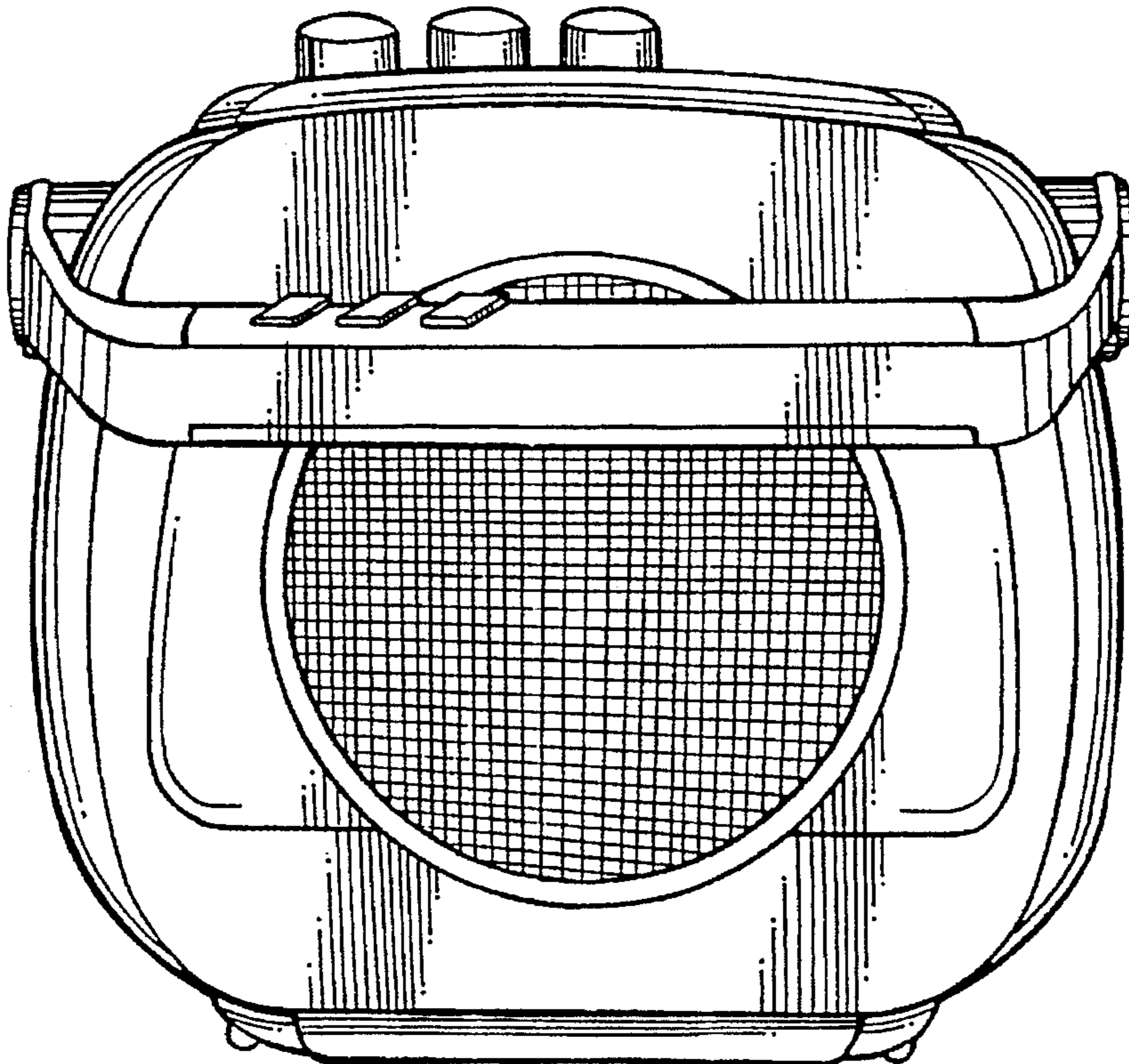


FIG. 2

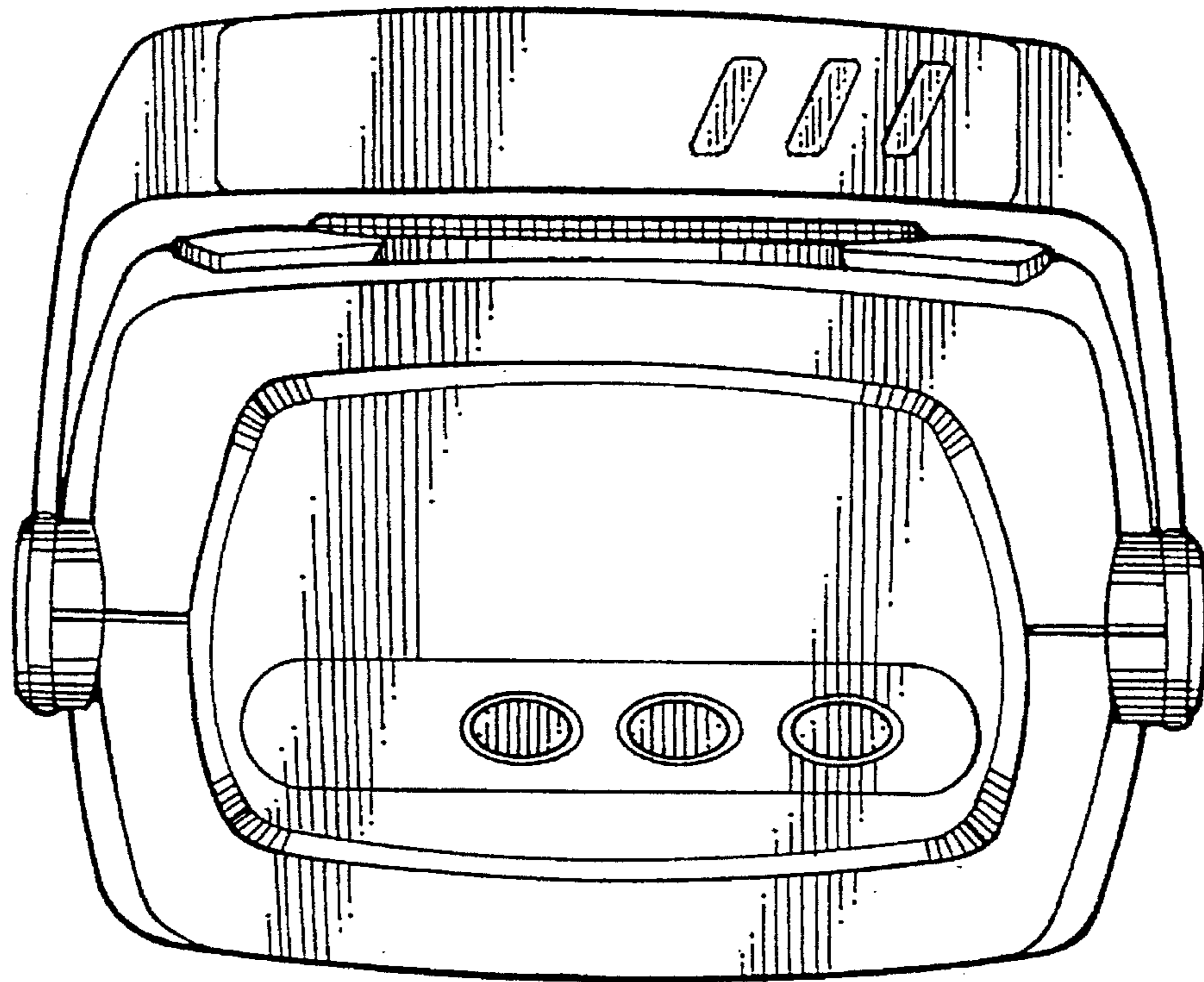


FIG. 3

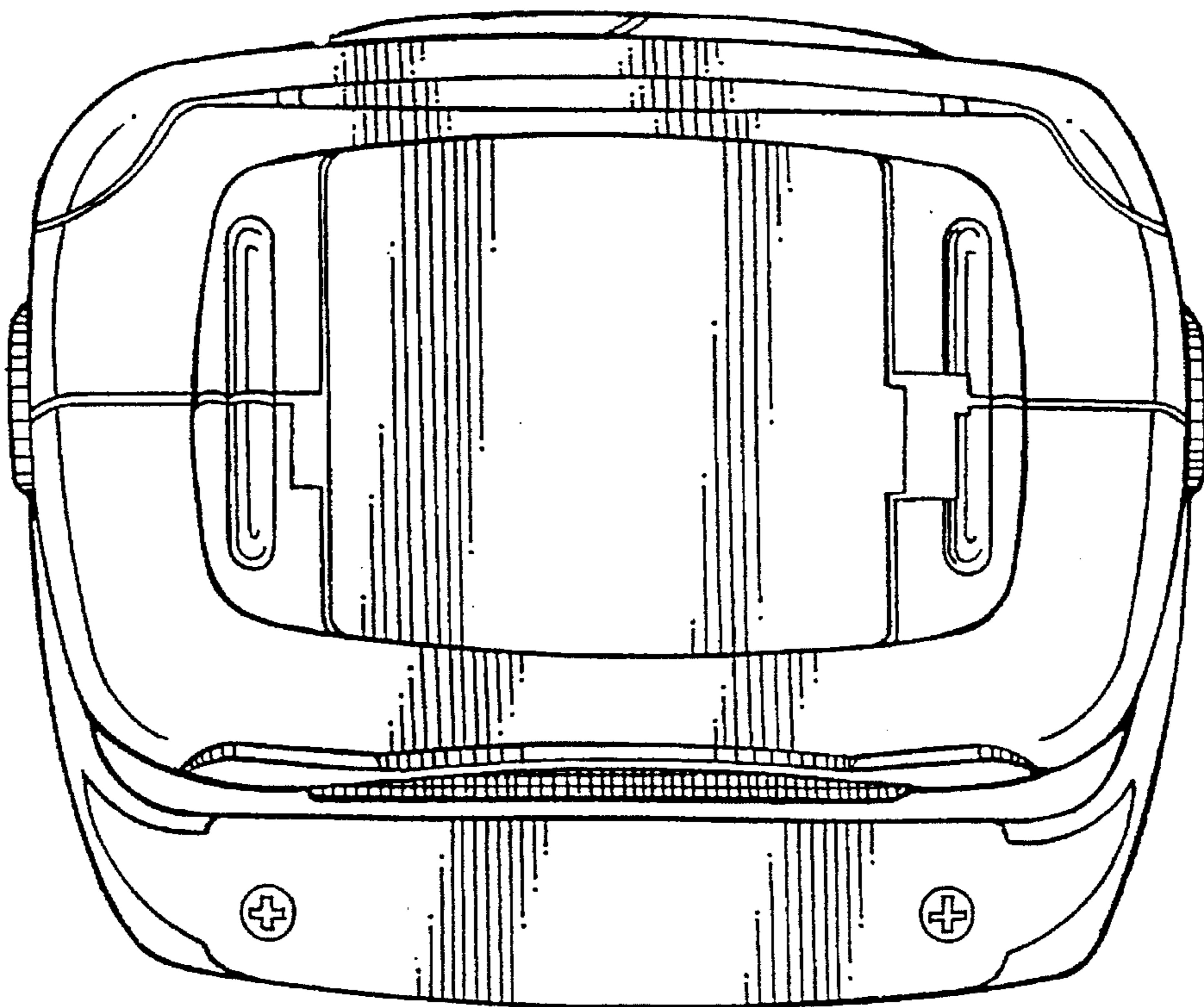


FIG. 4

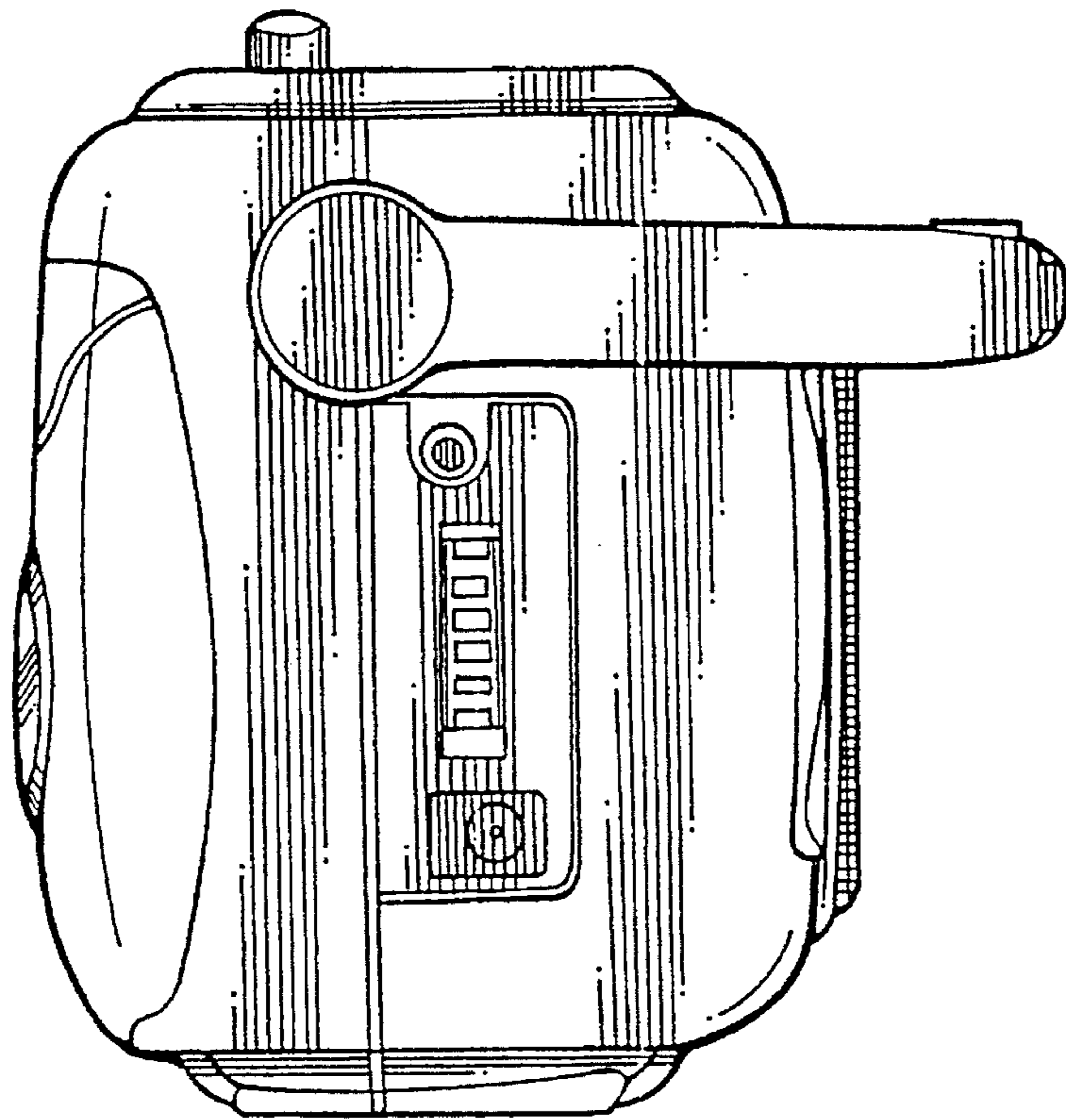


FIG. 5

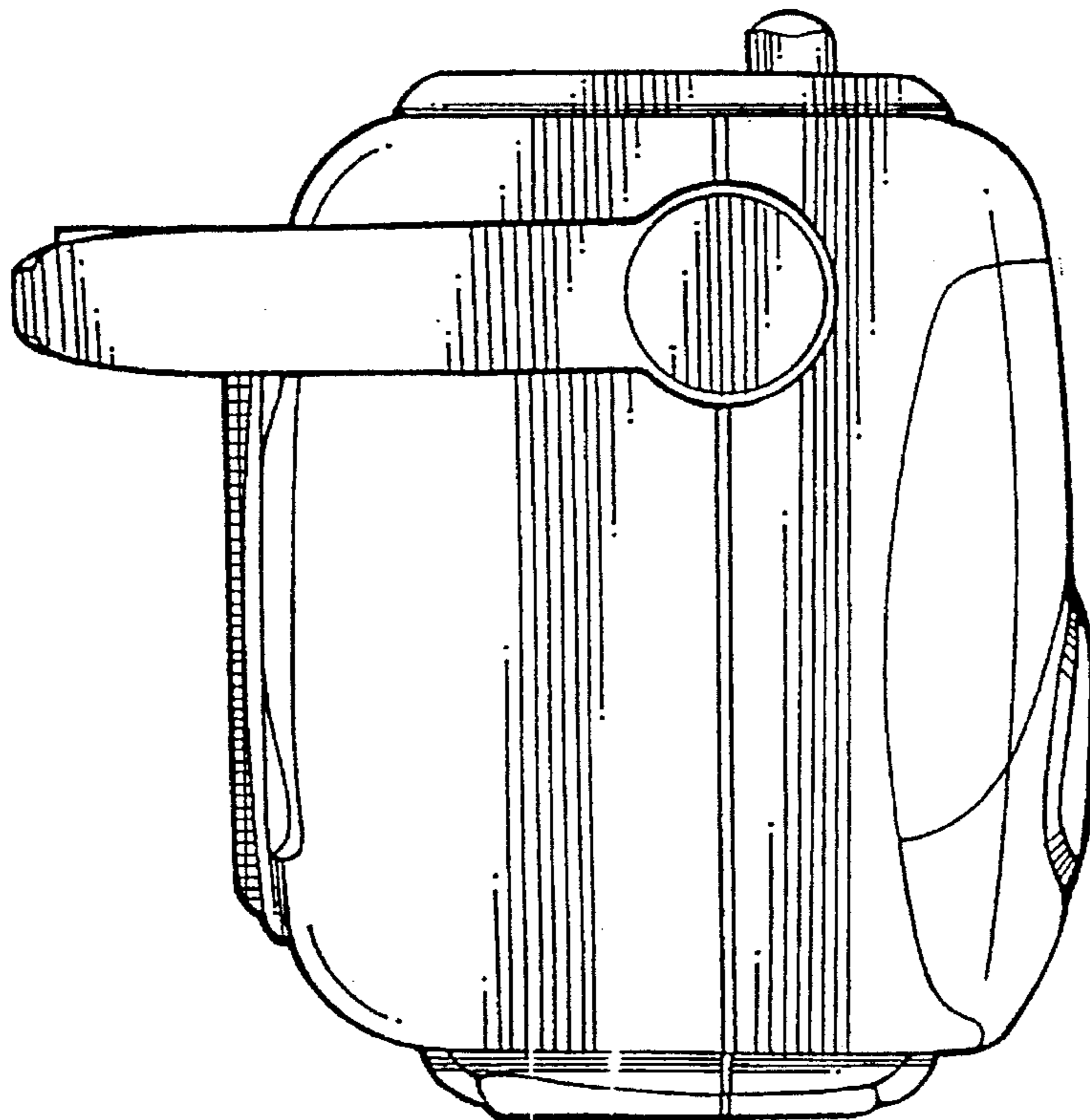


FIG. 6

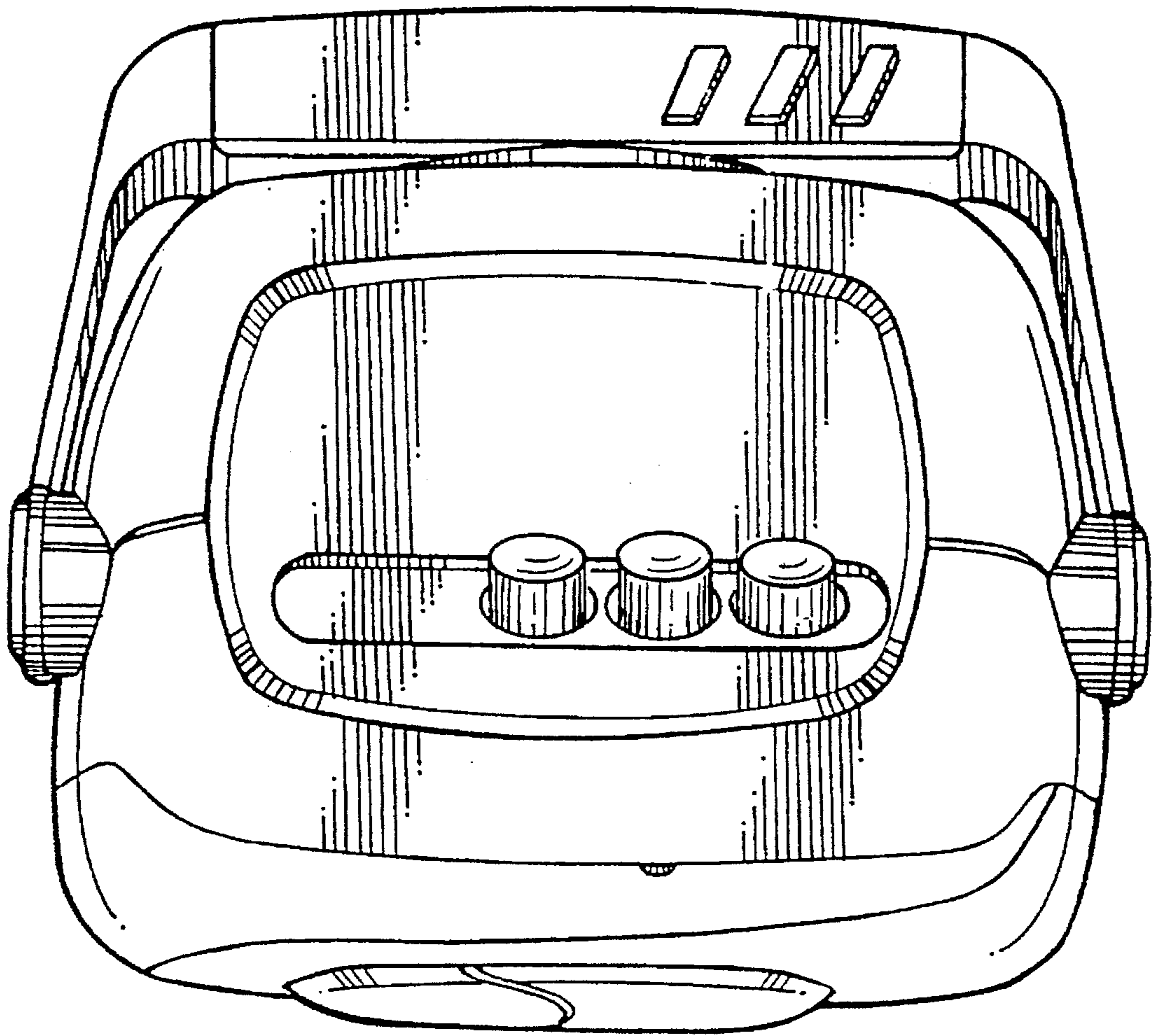


FIG. 7