



US00D377481S

United States Patent [19]

Miyamoto et al.

[11] Patent Number: **Des. 377,481**

[45] Date of Patent: ****Jan. 21, 1997**

[54] **MAGNETIC DISC MEMORIZING DEVICE**

D. 360,197 7/1995 Ikenaga D14/107

[75] Inventors: **Takashi Miyamoto; Takao Watanabe,**
both of Tokyo, Japan

Primary Examiner—Freda Nunn
Attorney, Agent, or Firm—Kanesaka & Takeuchi

[73] Assignee: **Teac Corporation,** Tokyo, Japan

[57] **CLAIM**

[**] Term: **14 Years**

The ornamental design for a magnetic disc memorizing device, as shown and described.

[21] Appl. No.: **44,351**

DESCRIPTION

[22] Filed: **Sep. 22, 1995**

[30] **Foreign Application Priority Data**

FIG. 1 is a perspective view of a magnetic disc memorizing device showing our new design;

Mar. 31, 1995 [JP] Japan 7-8924

FIG. 2 is a front view thereof;

[52] **U.S. Cl.** **D14/108**

[58] **Field of Search** D14/100, 102,
D14/107-109; D13/162, 184, 199; D6/432,
436, 445, 448; 312/208.1; 360/97.01, 97.04,
98.01, 99.12; 361/694, 696

FIG. 3 is a top plan view thereof, the bottom plan view being symmetrical to the top plan view;

FIG. 4 is a rear view thereof; and,

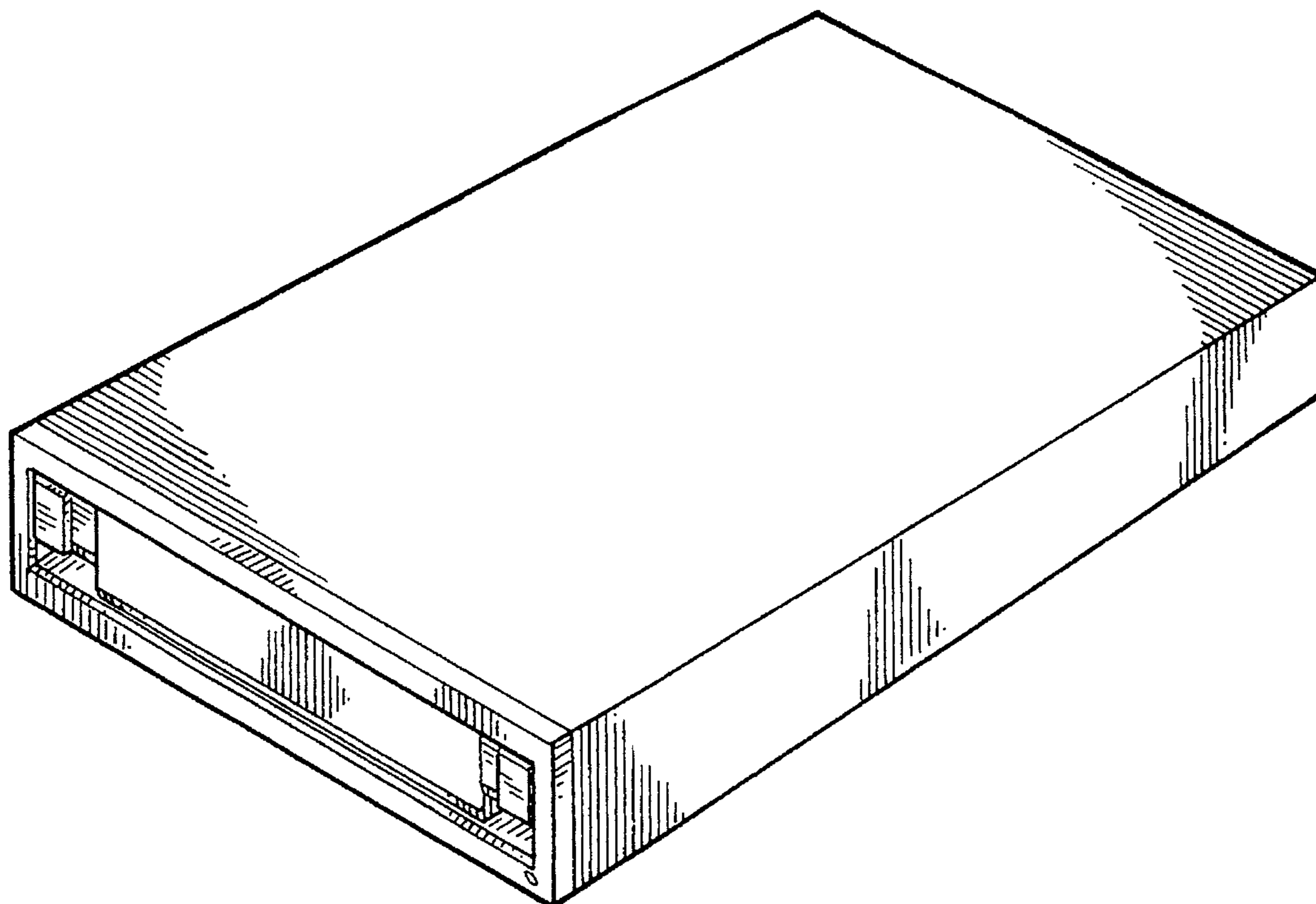
FIG. 5 is a left side view thereof, the right side view being symmetrical to the left side view.

[56] **References Cited**

U.S. PATENT DOCUMENTS

D. 334,917 4/1993 Miyamoto D14/100 X

1 Claim, 3 Drawing Sheets



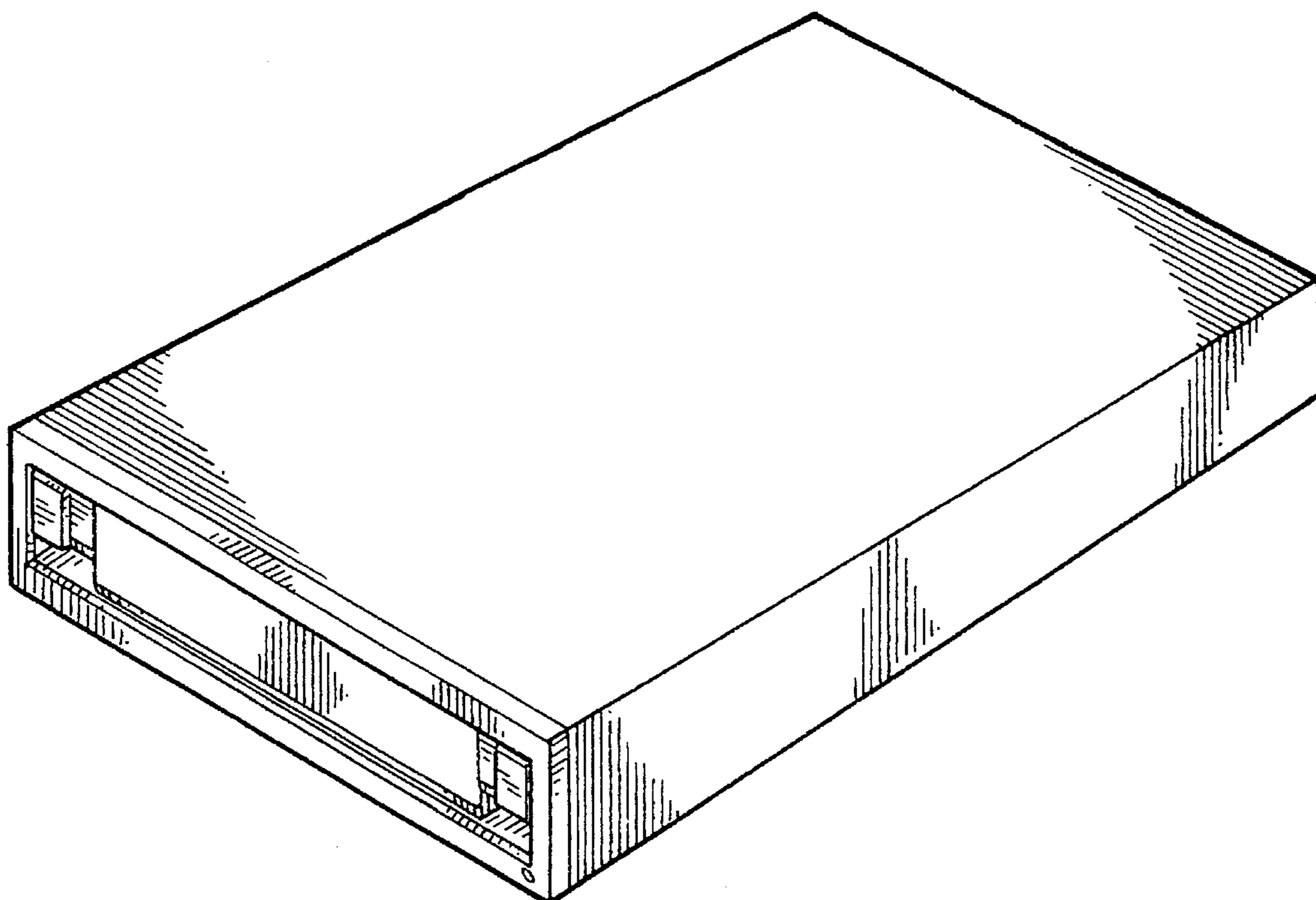


FIG. 1

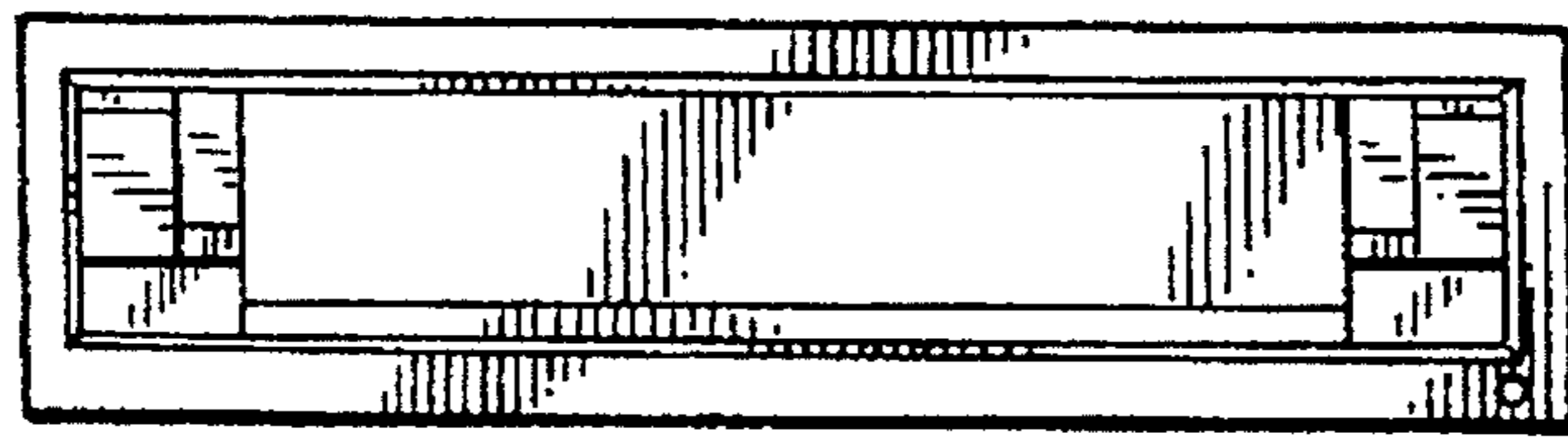


FIG. 2

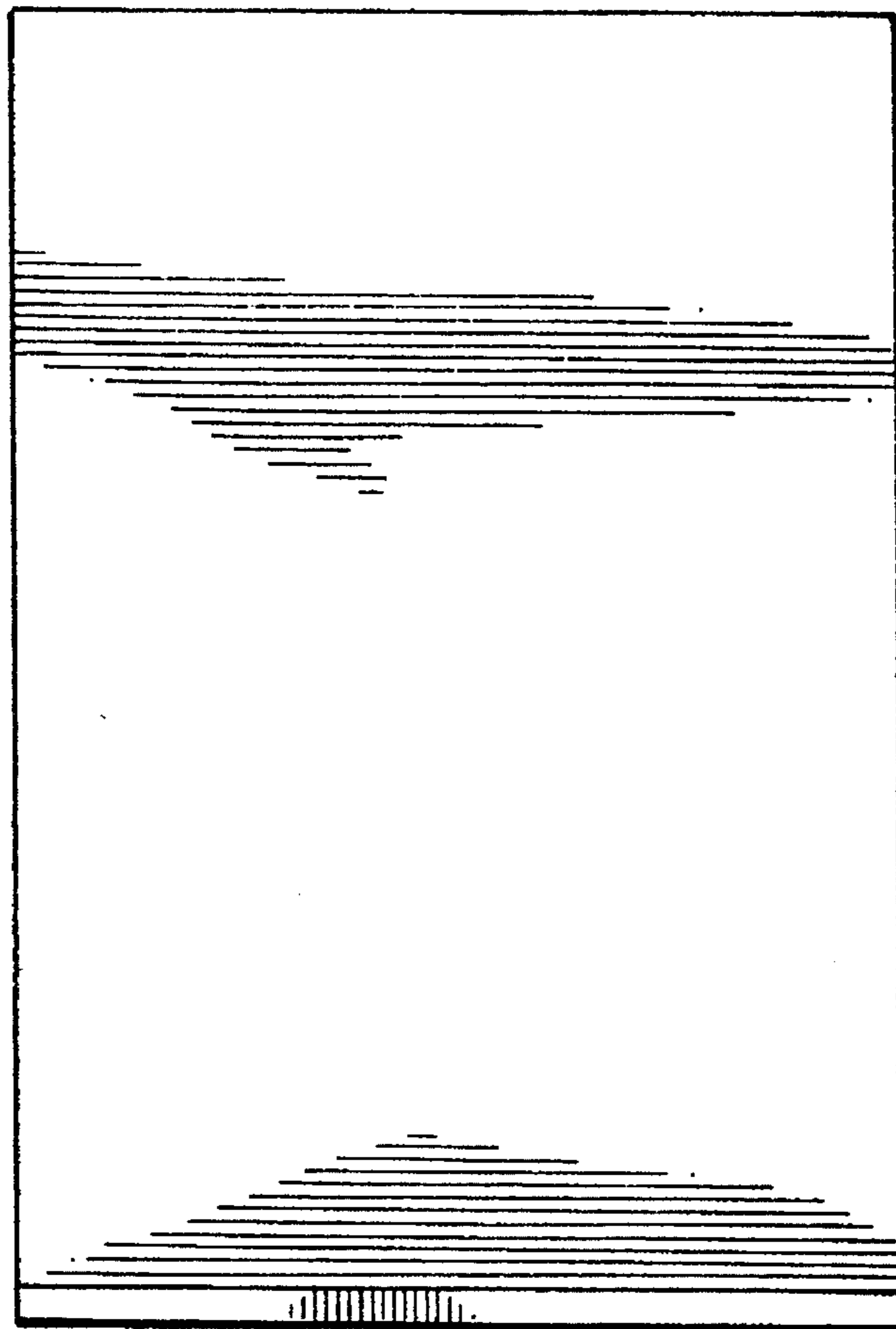


FIG. 3

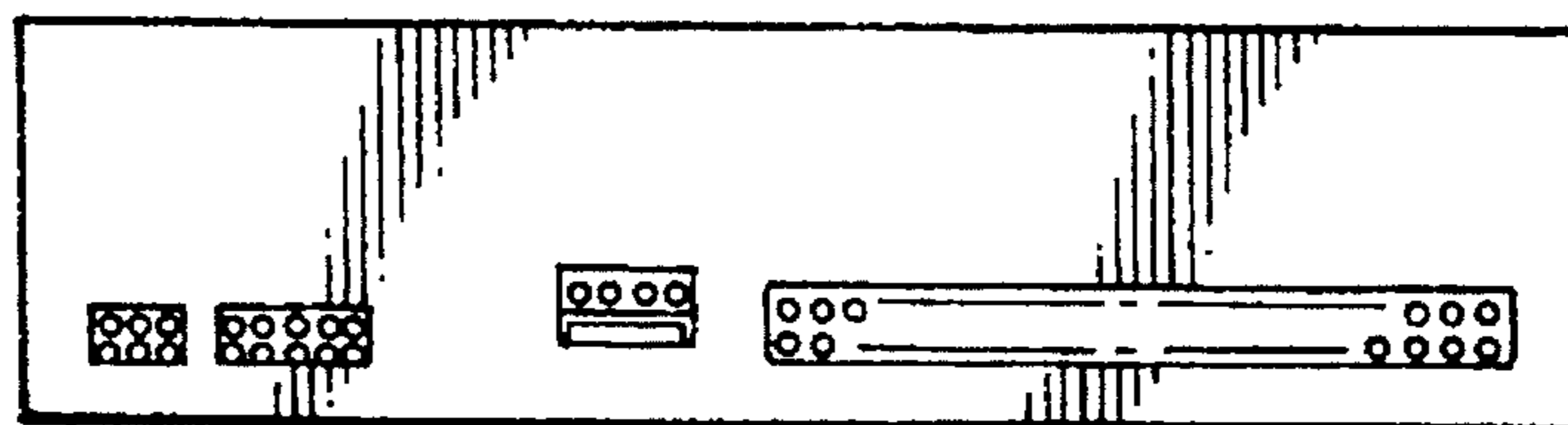


FIG. 4

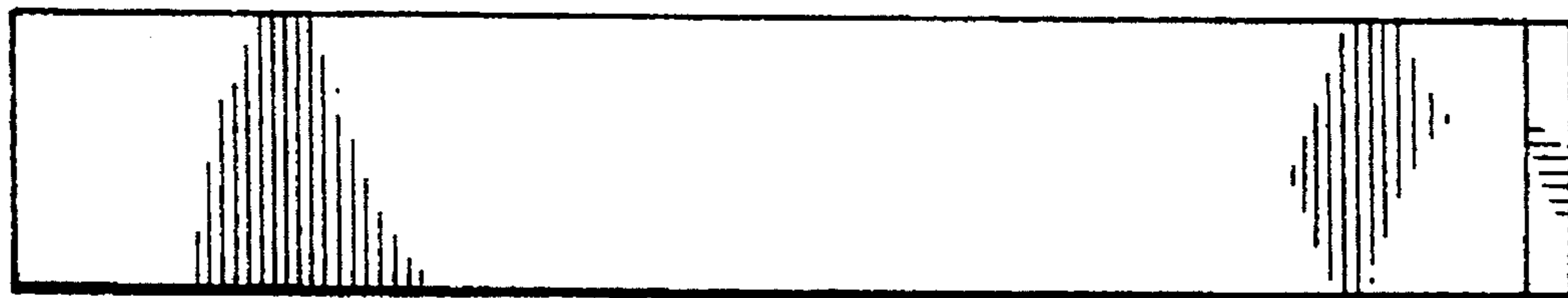


FIG. 5