



US00D377480S

United States Patent [19]

Kobayashi

[11] Patent Number: **Des. 377,480**

[45] Date of Patent: ****Jan. 21, 1997**

[54] **CONTROLLER COMBINED WITH A DISK PLAYER FOR A COMPUTER**

[75] Inventor: **Takayuki Kobayashi**, Tokyo, Japan

[73] Assignee: **Sony Corporation**, Tokyo, Japan

[**] Term: **14 Years**

[21] Appl. No.: **43,743**

[22] Filed: **Sep. 11, 1995**

[30] **Foreign Application Priority Data**

Mar. 27, 1995 [JP] Japan 7-7887

[52] U.S. Cl. **D14/107**; D14/109

[58] Field of Search D14/100, 102, D14/107-109; D13/162, 184, 199; D6/432, 436, 445, 448; 312/208.1, 223.2, 223.3; 360/97.01, 97.04, 98.01, 99.01, 99.12; 361/694, 696

[56] **References Cited**

U.S. PATENT DOCUMENTS

- D. 264,842 6/1982 Daniels et al. D14/109
- D. 266,670 10/1982 West D14/109
- D. 270,348 8/1983 Irwin et al. D14/109
- D. 281,320 11/1985 Knott D14/108

Primary Examiner—Freda Nunn

Attorney, Agent, or Firm—Foley & Lardner

[57] **CLAIM**

The ornamental design for a controller combined with a disk player for a computer, as shown and described.

DESCRIPTION

FIG. 1 is a perspective view of a controller combined with a disk player for a computer showing my new design; FIG. 2 is an end elevational view thereof; FIG. 3 is a left side elevational view thereof; FIG. 4 is a top plan view thereof; FIG. 5 is an end elevational view thereof opposite to that shown in FIG. 2; FIG. 6 is a right side elevational view thereof; FIG. 7 is a bottom plan view thereof; FIG. 8 is a perspective view of a second embodiment thereof; FIG. 9 is an end elevational view thereof; FIG. 10 is a left side elevational view thereof; FIG. 11 is a top plan view thereof; FIG. 12 is an end elevational view thereof opposite to that shown in FIG. 9; FIG. 13 is a right side elevational view thereof; FIG. 14 is a bottom plan view thereof; and, FIG. 15 is a perspective view thereof wherein a computer is shown in broken lines for illustrative purposes only and forms no part of the claimed design.

1 Claim, 7 Drawing Sheets

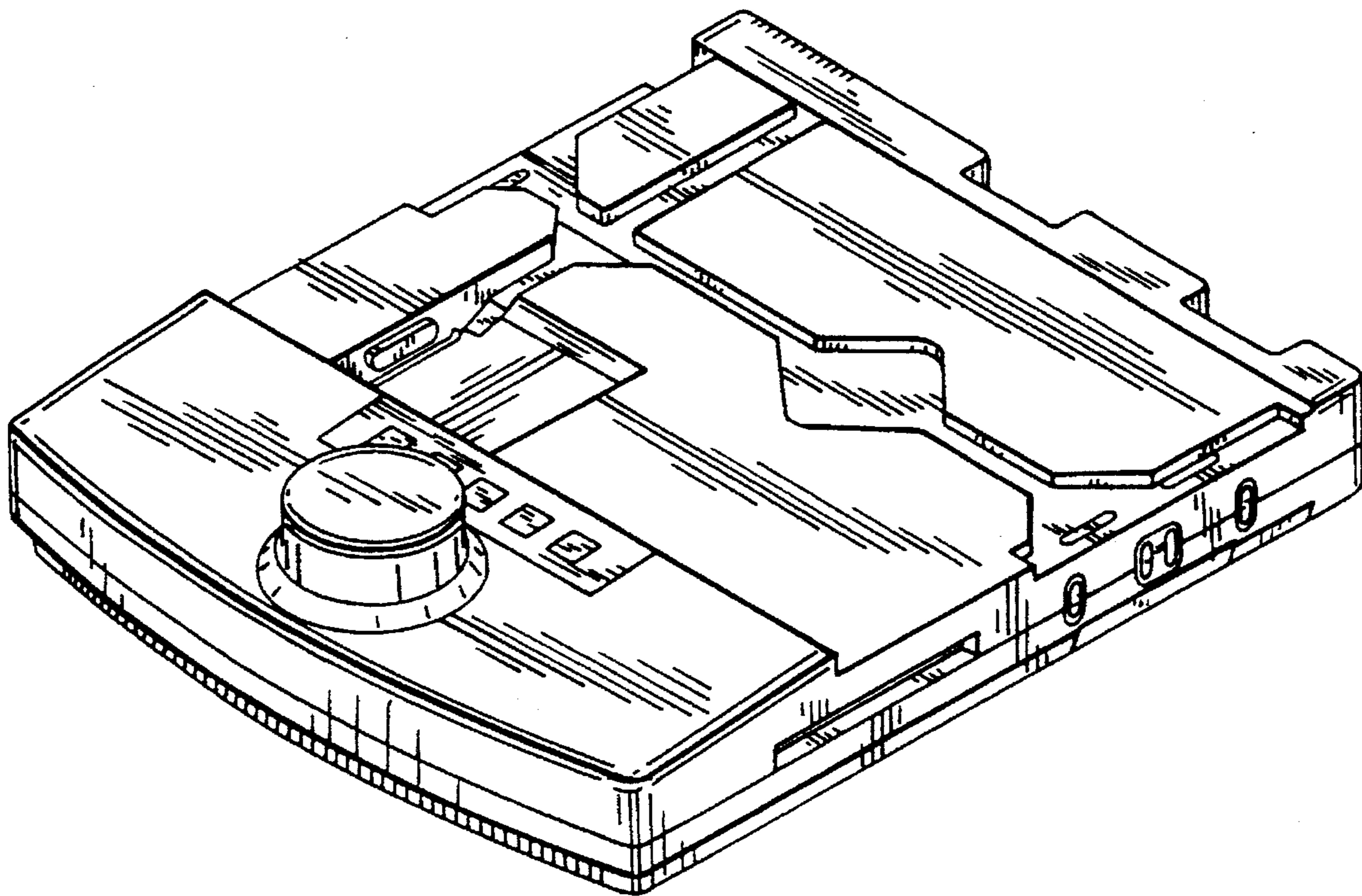


FIG. 1

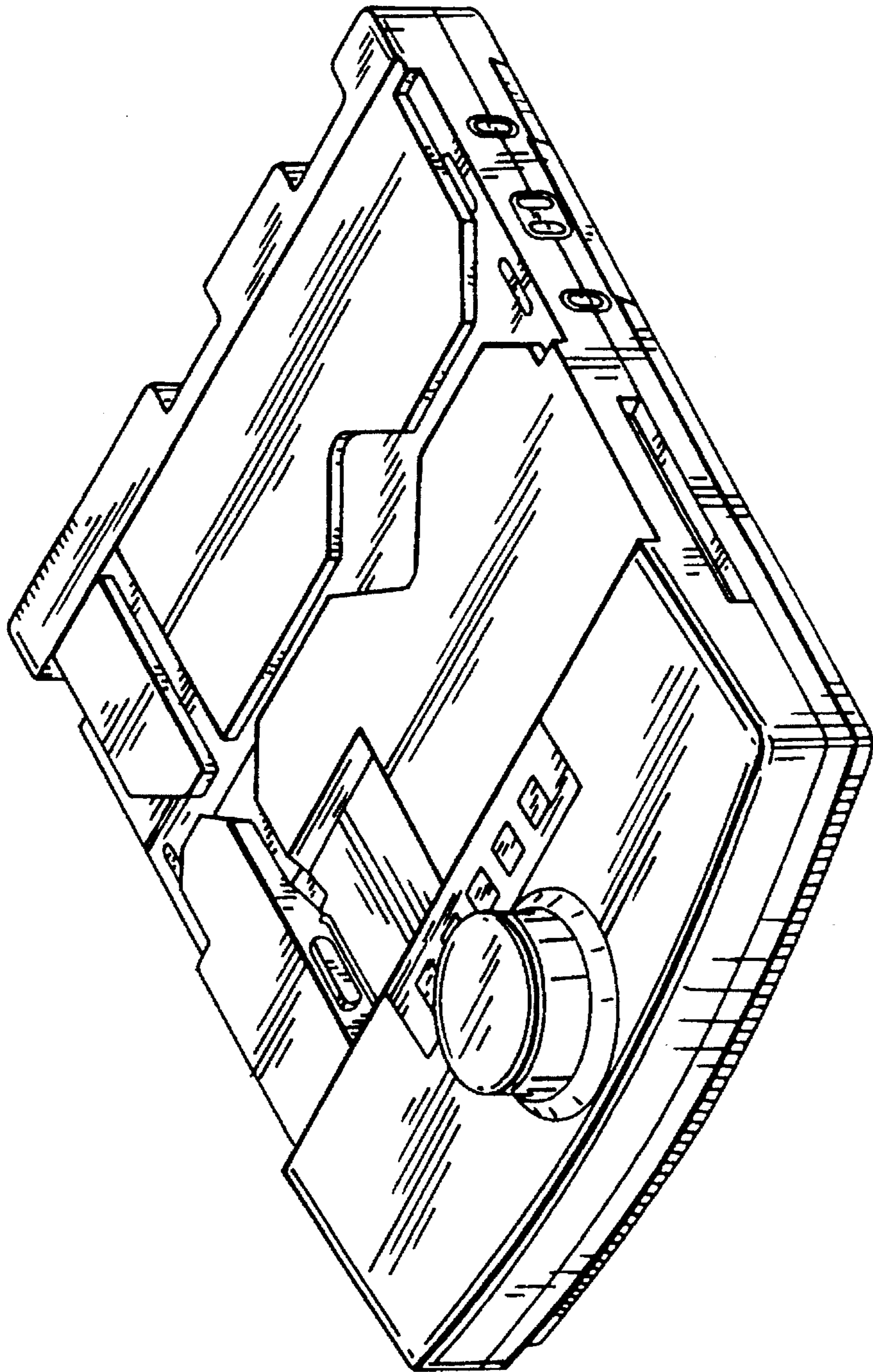


FIG. 2

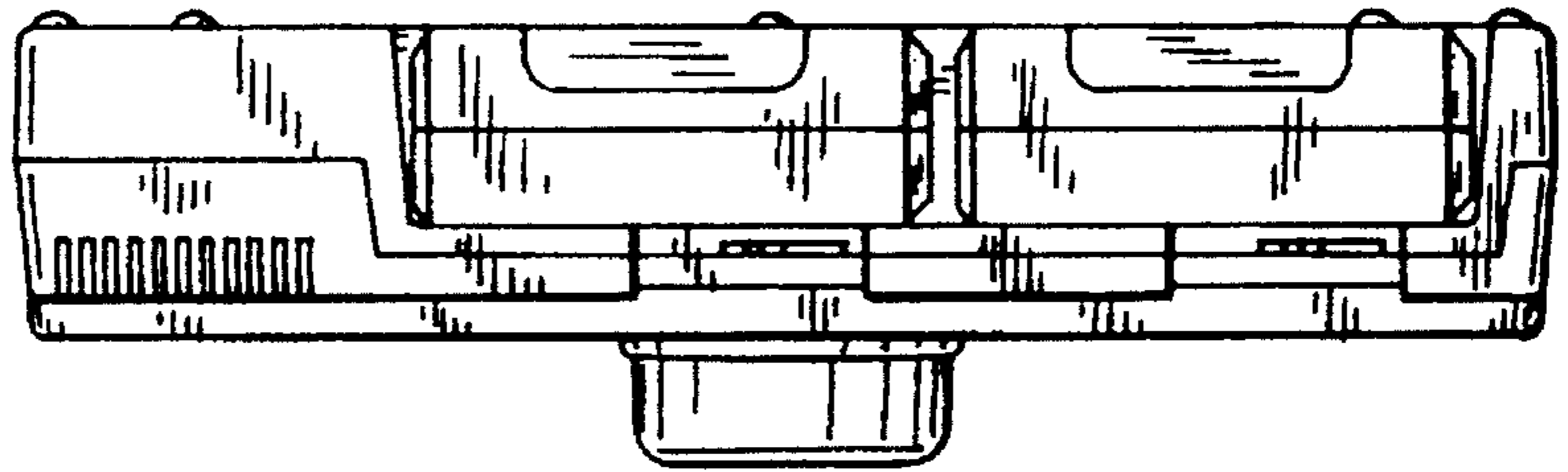


FIG. 3

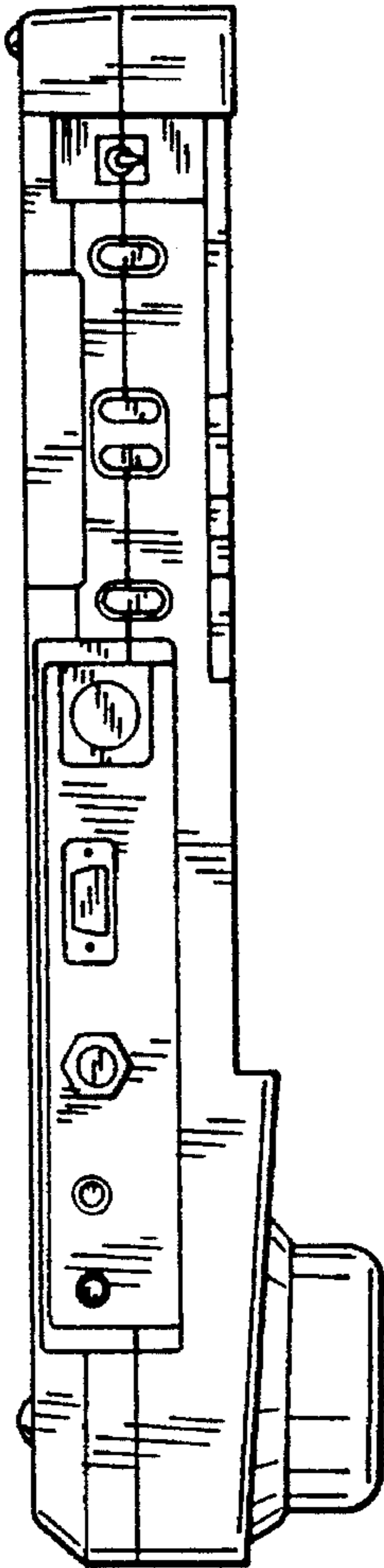


FIG. 4

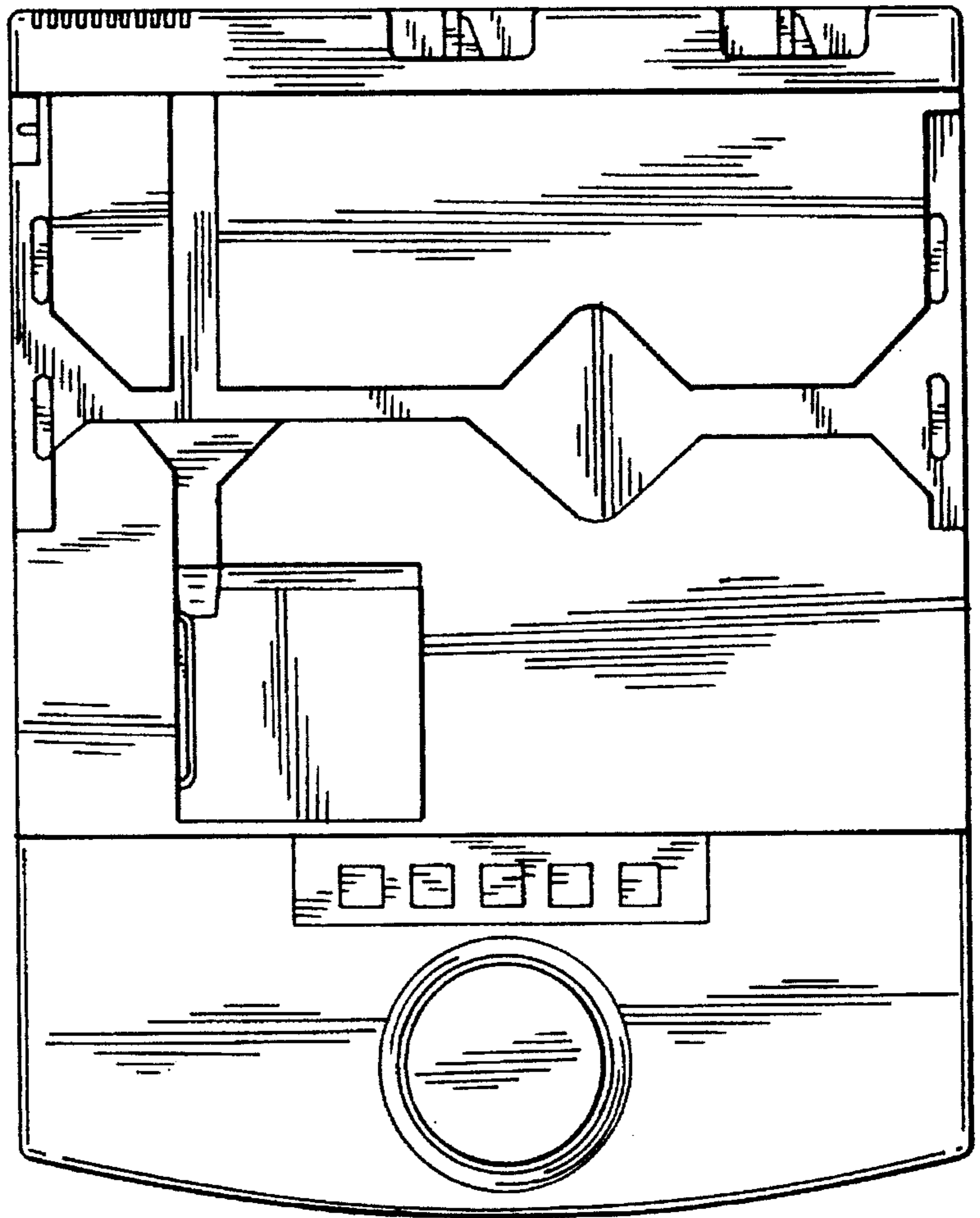


FIG. 5

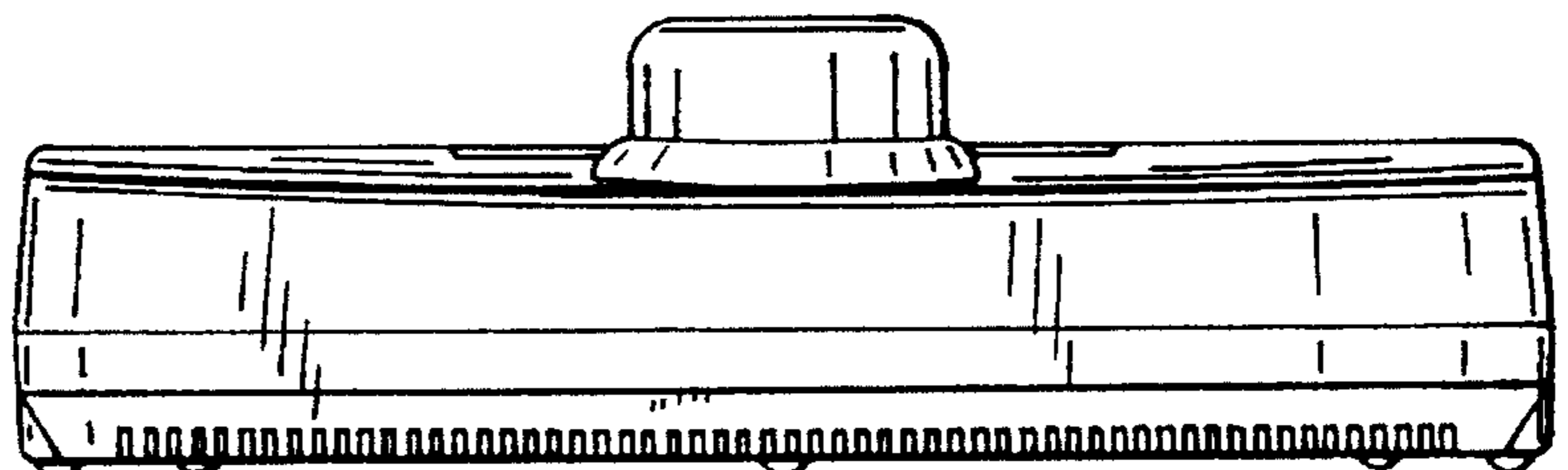


FIG. 6

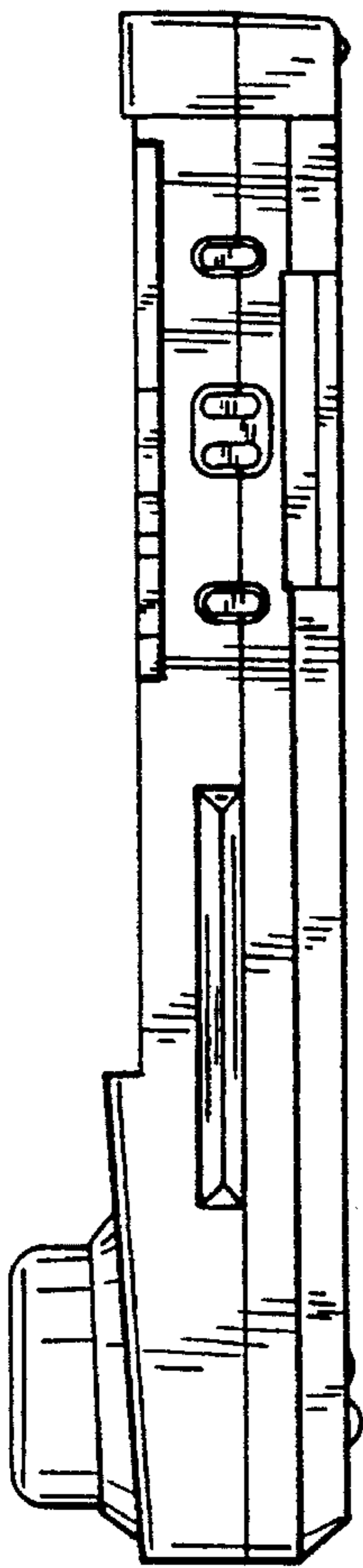


FIG. 7

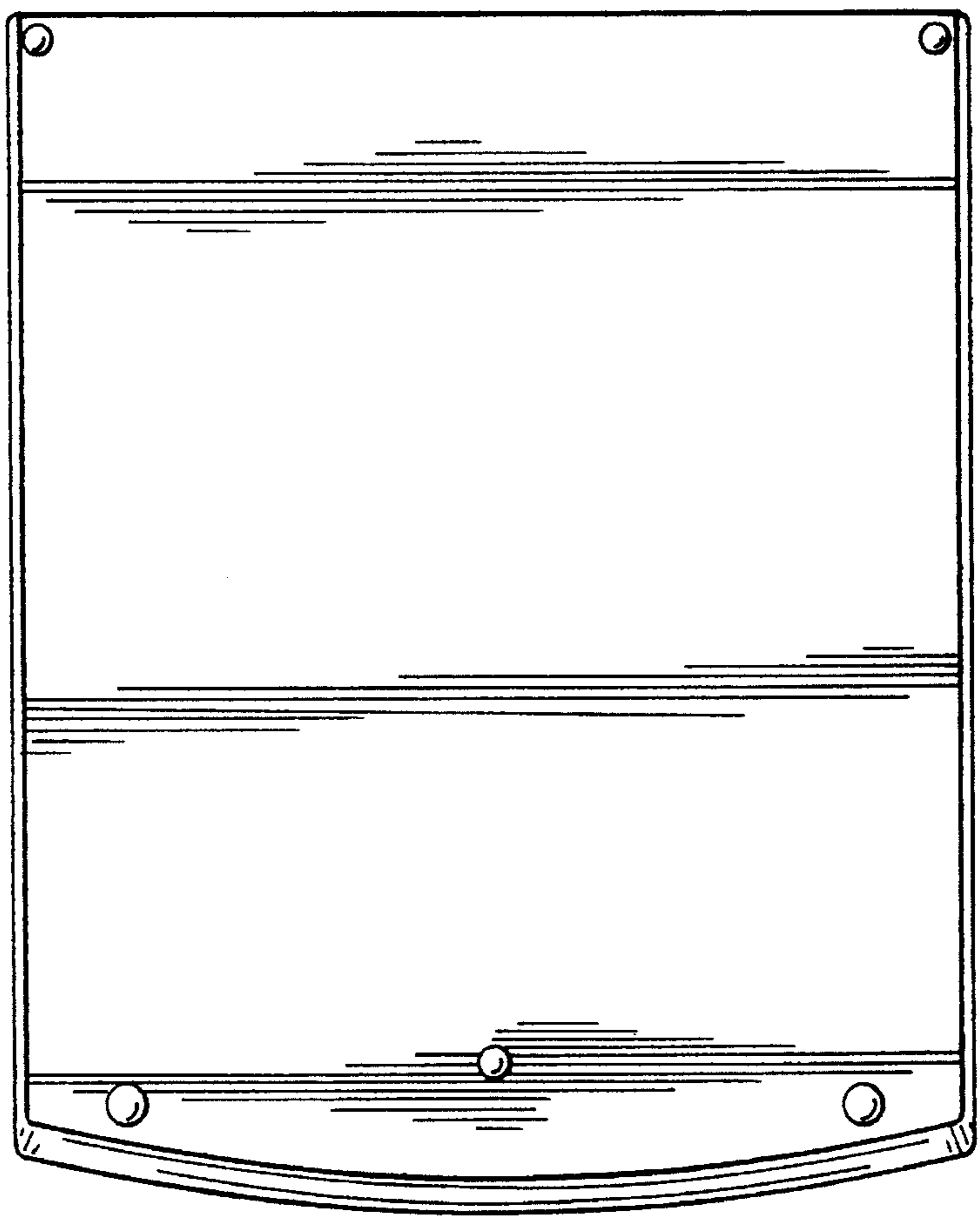


FIG. 8

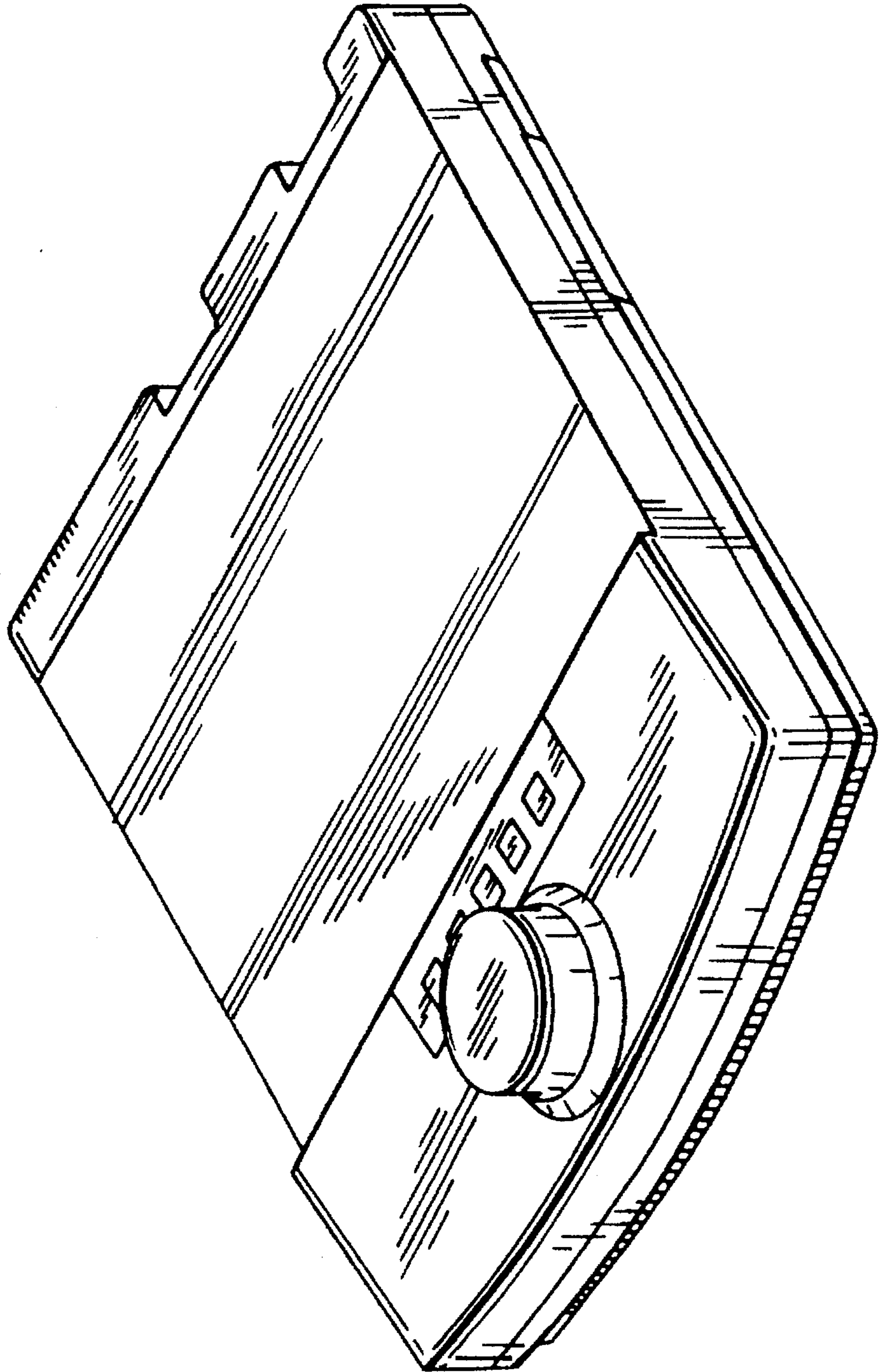


FIG. 9

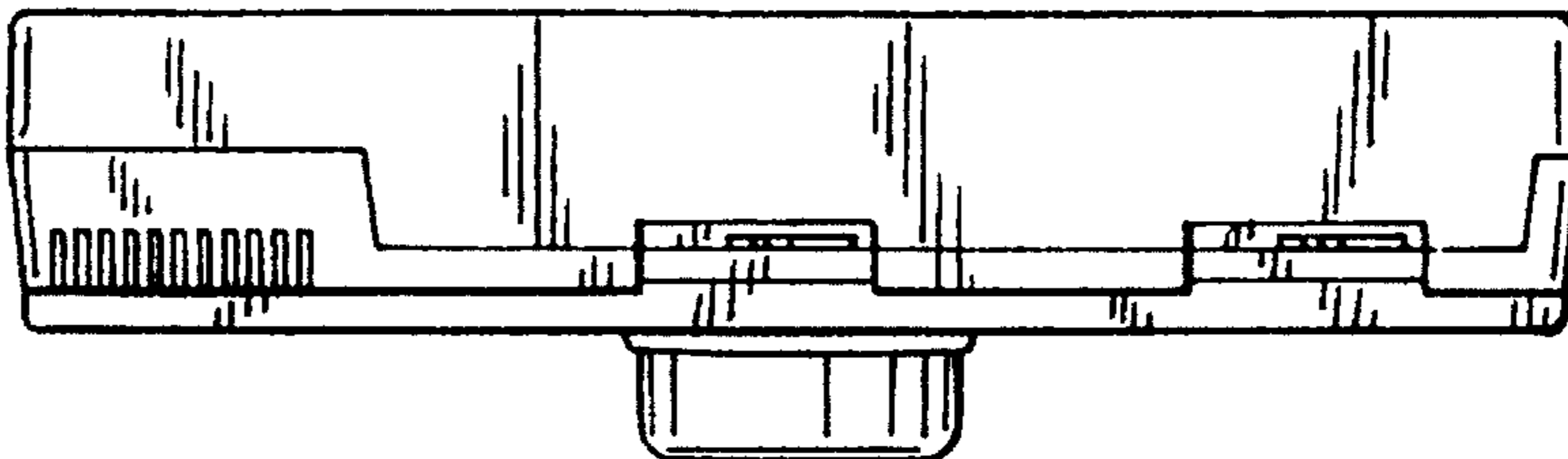


FIG. 10

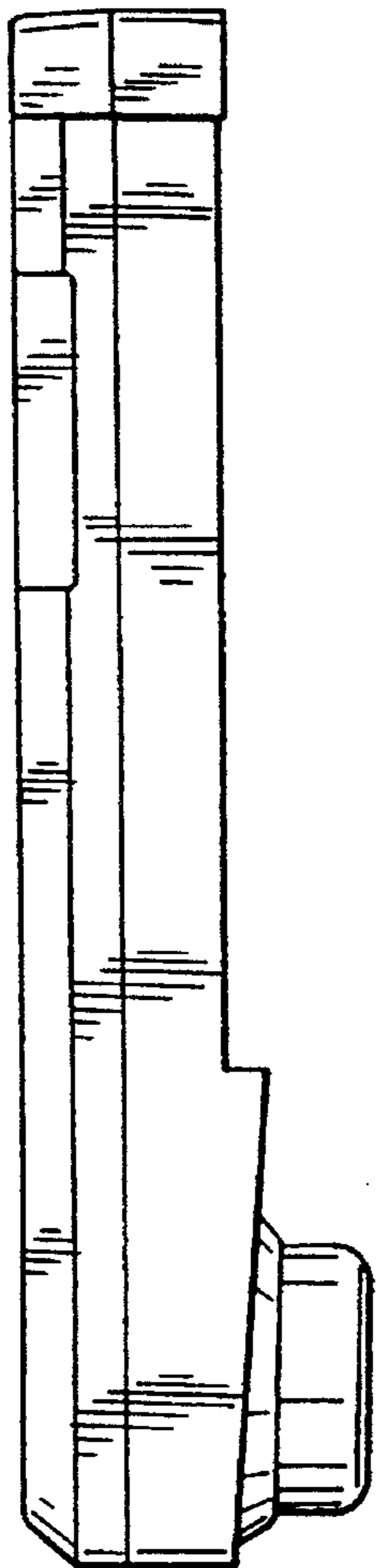


FIG. 11

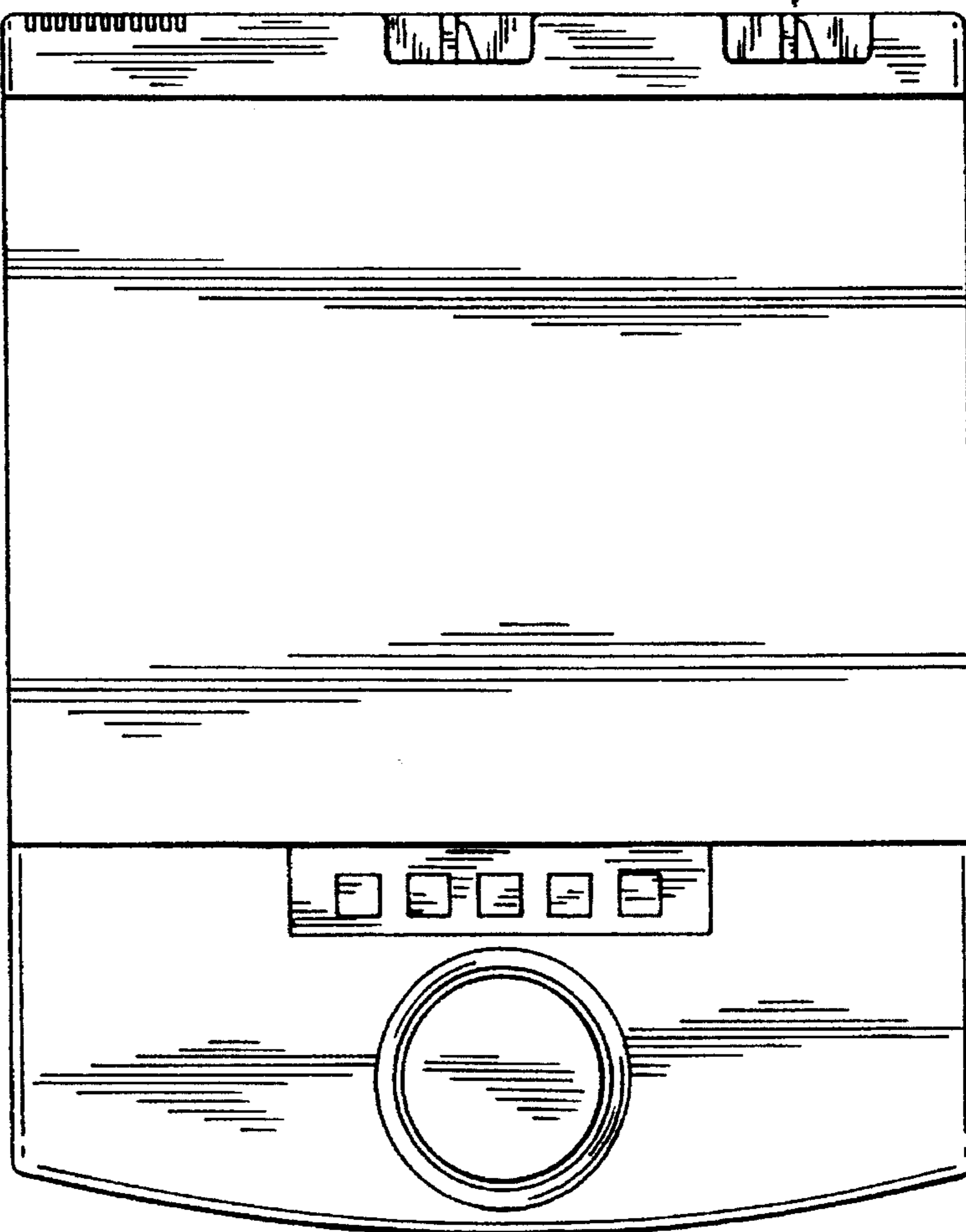


FIG. 12

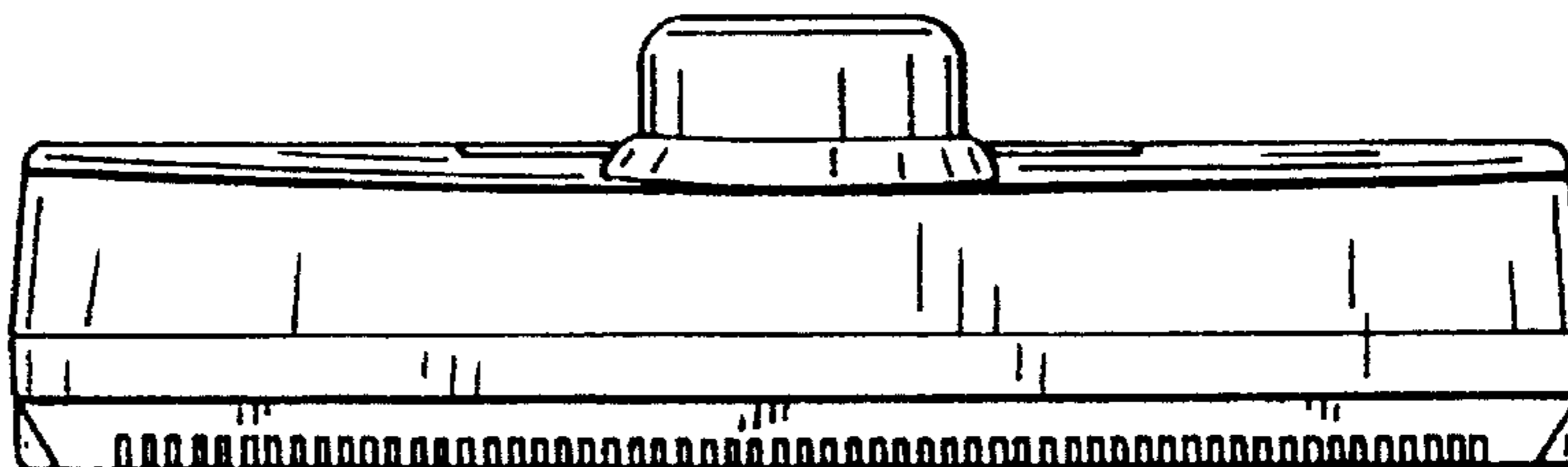


FIG.13

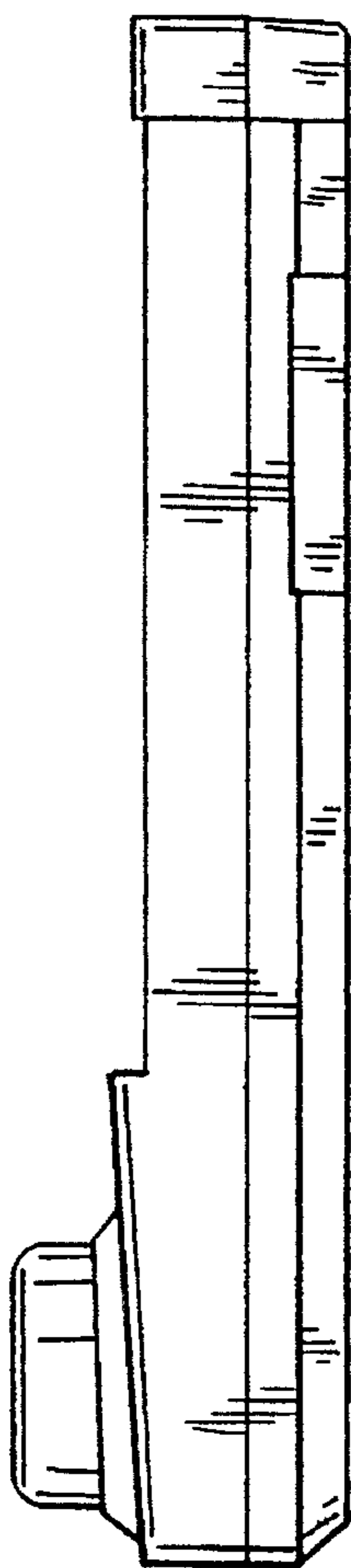
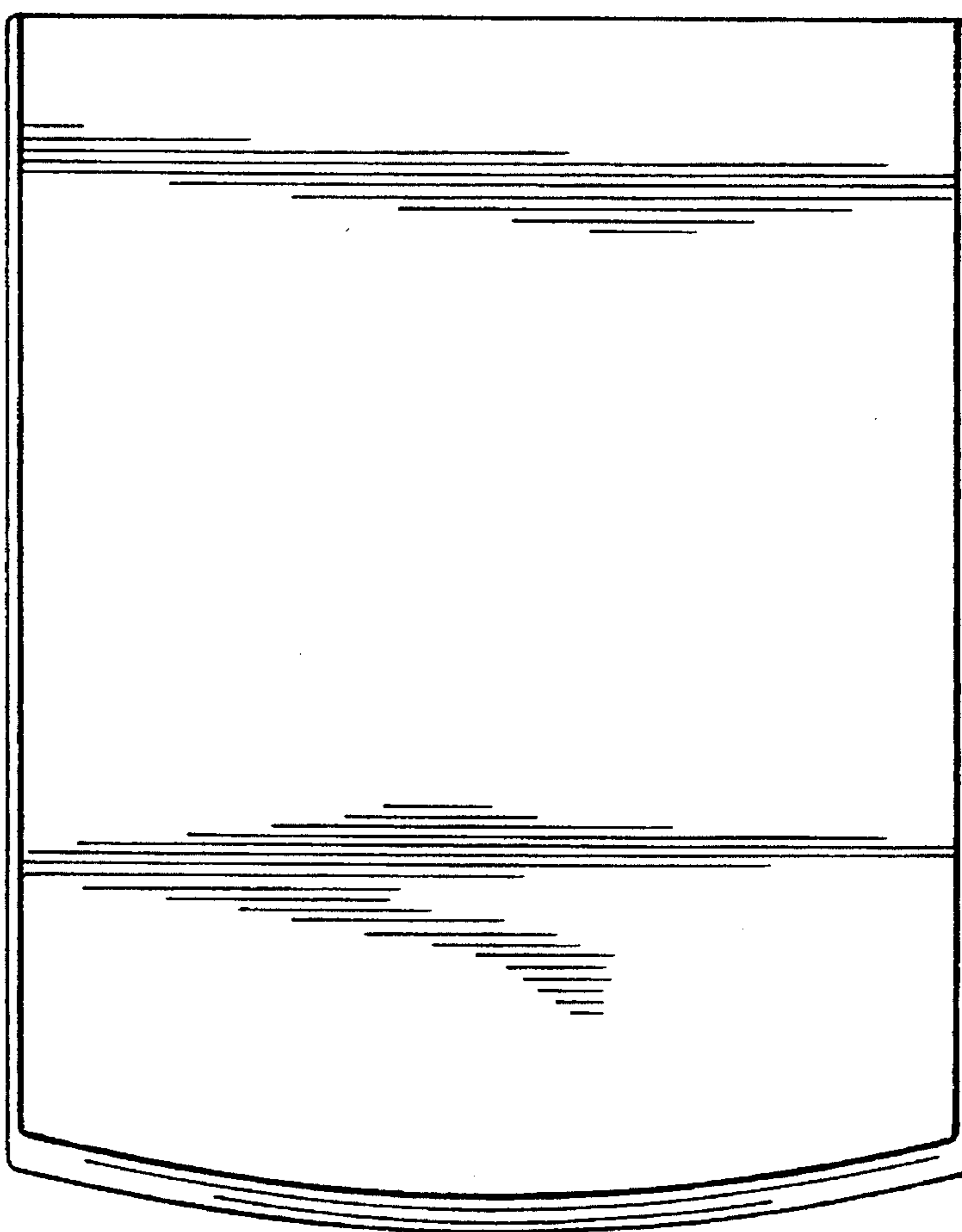


FIG.14



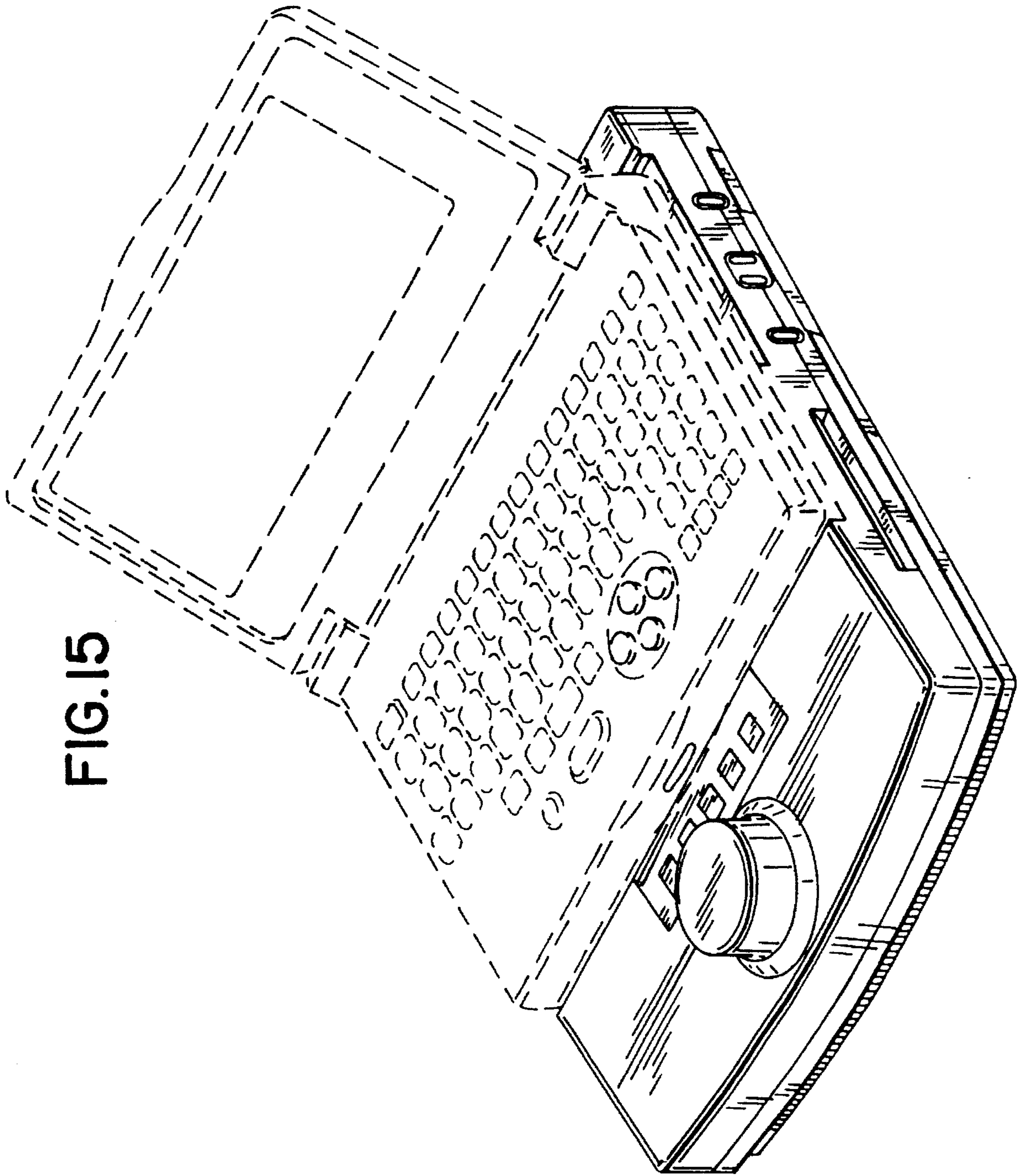


FIG.15