



US00D377477S

United States Patent [19]

[11] Patent Number: Des. 377,477

Harata et al.

[45] Date of Patent: **Jan. 21, 1997

[54] RECHARGEABLE BATTERY

[75] Inventors: Tomohiro Harata; Yukari Miyata, both of Tokyo, Japan

[73] Assignee: Sony Corporation, Tokyo, Japan

[**] Term: 14 Years

[21] Appl. No.: 38,268

[22] Filed: May 2, 1995

Related U.S. Application Data

[63] Continuation-in-part of Ser. No. 32,753, Dec. 27, 1994, abandoned.

[30] Foreign Application Priority Data

Jun. 24, 1994	[JP]	Japan	6-18465
Nov. 14, 1994	[JP]	Japan	6-34372
Nov. 14, 1994	[JP]	Japan	6-34373

[52] U.S. Cl. D13/103

[58] Field of Search D13/103; 429/97, 429/98, 99, 121, 159, 163, 176

[56] References Cited

U.S. PATENT DOCUMENTS

D. 250,529	12/1978	Kaye	D13/103
D. 356,776	3/1995	Yoshii	D13/103
D. 362,424	9/1995	Sumita et al.	D13/103
5,415,947	5/1995	Mitsui et al.	429/99 X

Primary Examiner—Joel Sincavage
Attorney, Agent, or Firm—Foley & Lardner

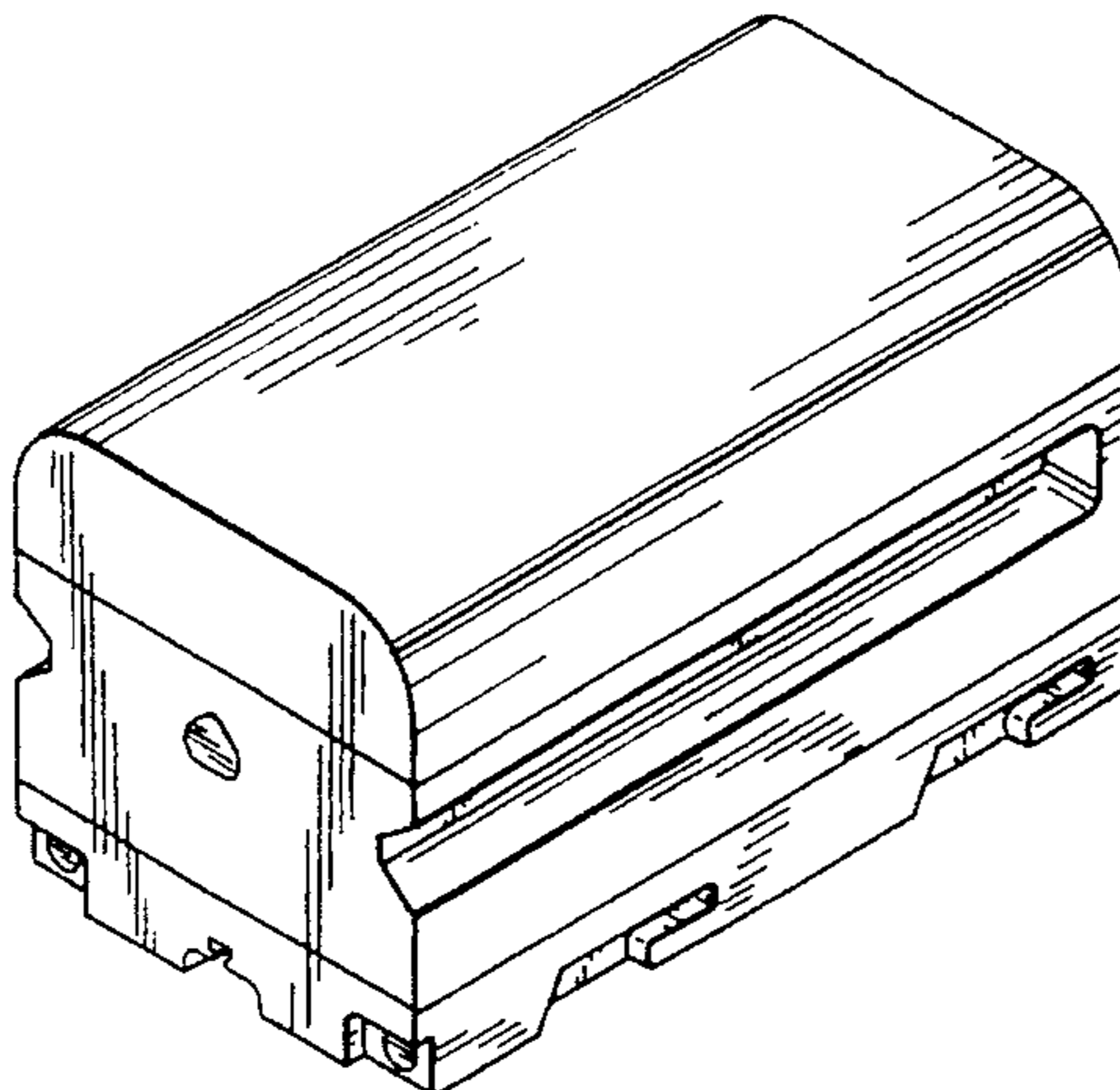
[57] CLAIM

The ornamental design for a rechargeable battery, as shown and described.

DESCRIPTION

FIG. 1 is a perspective view of a first embodiment of the rechargeable battery showing our new design;
FIG. 2 is a top plan view thereof;
FIG. 3 is a left elevational view thereof;
FIG. 4 is a front elevational view thereof;

FIG. 5 is a right elevational view thereof;
FIG. 6 is a rear elevational view thereof;
FIG. 7 is a bottom plan view thereof;
FIG. 8 is a perspective view of the second embodiment of the rechargeable battery showing our new design;
FIG. 9 is a left side elevational view of the second embodiment of FIG. 8;
FIG. 10 is a rear elevational view of the second embodiment of FIG. 8;
FIG. 11 is a bottom plan view of the second embodiment of FIG. 8;
The top plan, front elevational and right elevational views of the second embodiment of FIG. 8 are the same as those of the first embodiment as shown in FIGS. 2, 4 and 5 inclusive;
FIG. 12 is a perspective view of the third embodiment of the rechargeable battery showing our new design;
FIG. 13 is a left side elevational view of the third embodiment of FIG. 12;
FIG. 14 is a right side elevational view of the third embodiment of FIG. 12;
FIG. 15 is a bottom plan view of the third embodiment of FIG. 12;
The top plan, front elevational, right elevational and rear elevational views of the third embodiment of FIG. 12 are the same as those of the second embodiment as shown in FIGS. 2, 4, 5 and 10 inclusive;
FIG. 16 is a perspective view of the fourth embodiment of the rechargeable battery showing our new design;
FIG. 17 is a top plan view of the fourth embodiment of FIG. 16;
FIG. 18 is a left elevational view of the fourth embodiment of FIG. 16;
FIG. 19 is a front elevational view of the fourth embodiment of FIG. 16;
FIG. 20 is a bottom plan view of the fourth embodiment of FIG. 16;
The right and rear elevational views of the fourth embodiment of FIG. 16 are the same as those of the first embodiment as shown in FIGS. 5 and 6 inclusive;
FIG. 21 is a perspective view of the fifth embodiment of the rechargeable battery showing our new design;
FIG. 22 is a left side elevational view of the fifth embodiment of FIG. 21;
FIG. 23 is a bottom plan view of the fifth embodiment of FIG. 21;



The top plan, front elevational, right elevational and rear elevational views of the fifth embodiment of FIG. 21 are the same as those of the fourth embodiment as shown in FIGS. 17, 19, 5 and 6 inclusive;

FIG. 24 is a perspective view of the sixth embodiment of the rechargeable battery showing our new design;

FIG. 25 is a bottom plan view of the sixth embodiment of FIG. 24;

FIG. 32 shows a left elevational view of the sixth embodiment of FIG. 24 ;

The top plan, front elevational, right elevational and rear elevational views of the sixth embodiment of FIG. 24 are the same as those of the fourth embodiment as shown in FIGS. 17, 19, 5 and 6 inclusive;

FIG. 26 is a perspective view of the seventh embodiment of the rechargeable battery showing our new design;

The top plan and left elevational views of the seventh embodiment of FIG. 26 are the same as those of sixth embodiment as shown in FIGS. 17 and 32 inclusive, and the front, right, rear elevational views and bottom plan view of the seventh embodiment of FIG. 26 are the same as those of third embodiment as shown in FIGS. 4, 14, 10, and 15 inclusive;

FIG. 27 is a perspective view of the eighth embodiment of the rechargeable battery showing our new design;

FIG. 28 is a top plan view of the eighth embodiment of FIG. 27;

FIG. 29 is a right side elevational view of the eighth embodiment of FIG. 27;

FIG. 33 shows a left elevational view of the eighth embodiment of FIG. 27;

The front elevational, rear elevational and bottom plan views of the eighth embodiment of FIG. 27 are the same as those of the second embodiment as shown in FIGS. 4, 10 and 11 inclusive;

FIG. 30 is a perspective view of the ninth embodiment of the rechargeable battery showing our new design;

FIG. 34 shows a left elevational view of the ninth embodiment of FIG. 30;

The top plan and right elevational views of the ninth embodiment of FIG. 30 is the same as those of the eighth embodiment as shown in FIGS. 28 and 29, and the front elevational, rear elevational and bottom plan views of the ninth embodiment of FIG. 30 are the same as those of the second embodiment as shown in FIGS. 4, 10 and 11 inclusive;

FIG. 31 is a perspective view of the tenth embodiment of the rechargeable battery showing our new design; and,

FIG. 35 and 36 show left and right elevational views of the tenth embodiment of FIG. 31 respectively.

The top plan view of the tenth embodiment of FIG. 31 is the same as that of the eighth embodiment as shown in FIG. 28 , and the front elevational, rear elevational and bottom plan views of the tenth embodiment of FIG. 31 are the same as those of the third embodiment as shown in FIGS. 4, 10 and 15 inclusive.

1 Claim, 9 Drawing Sheets

FIG. 1

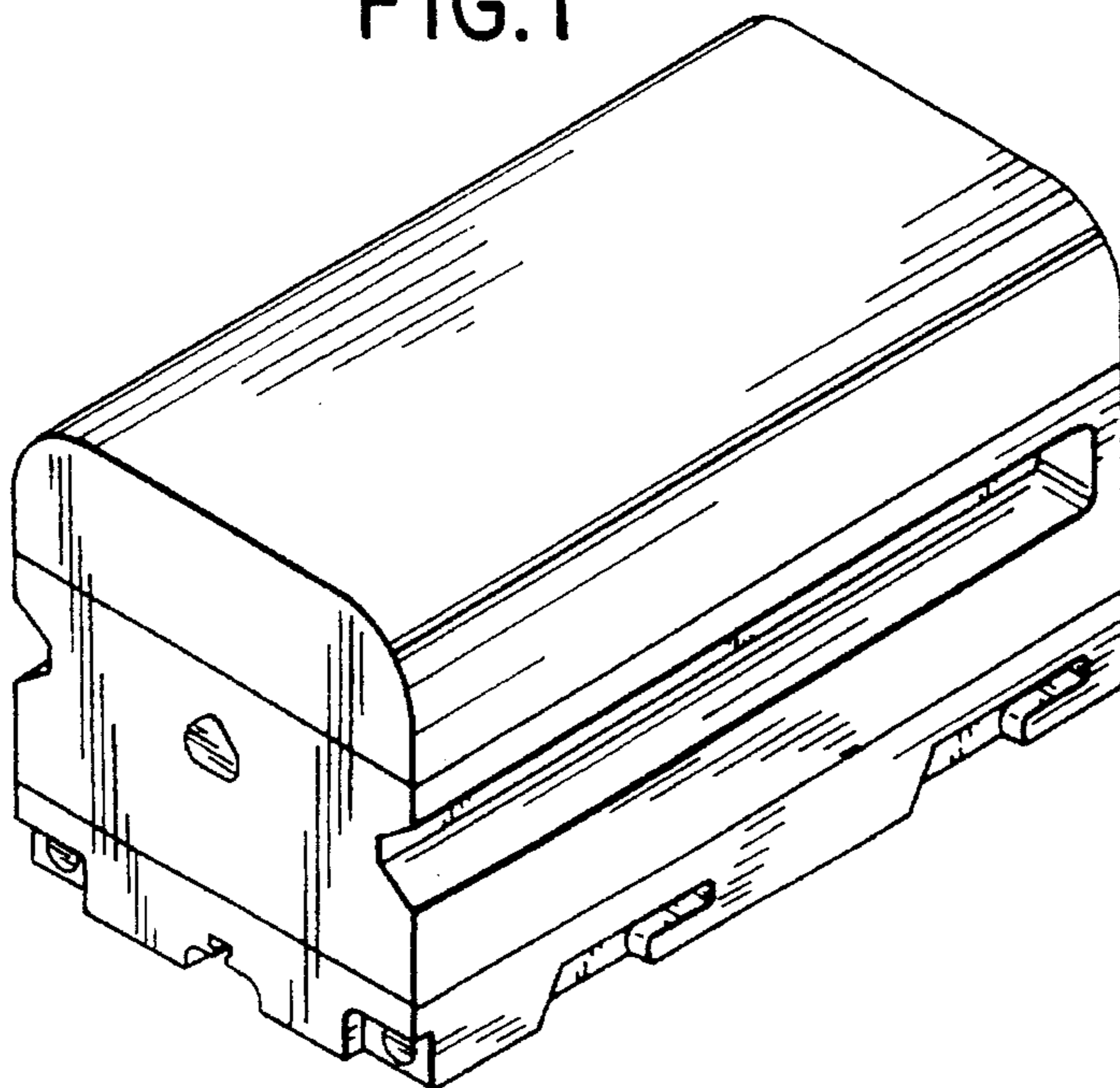


FIG. 2

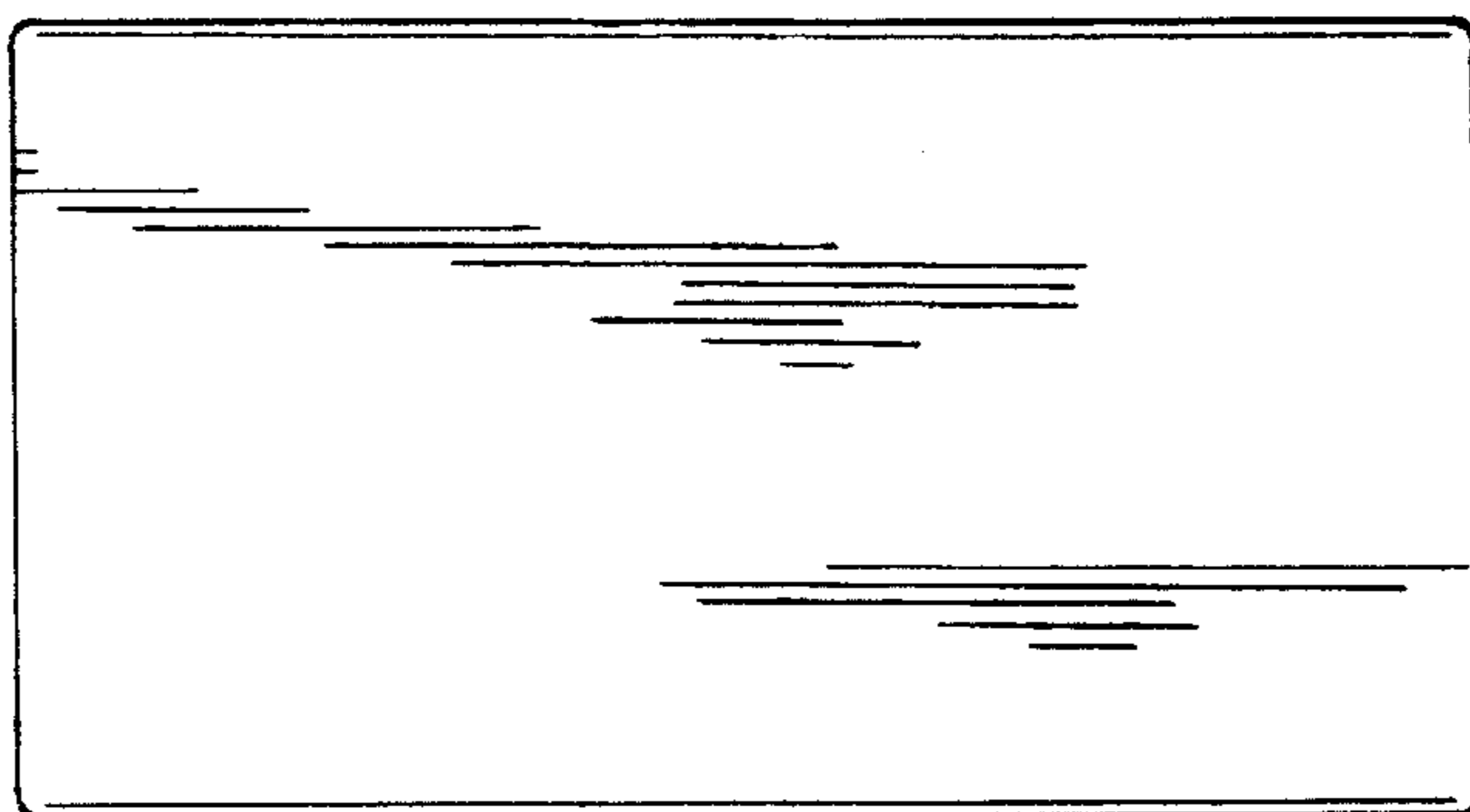


FIG. 3

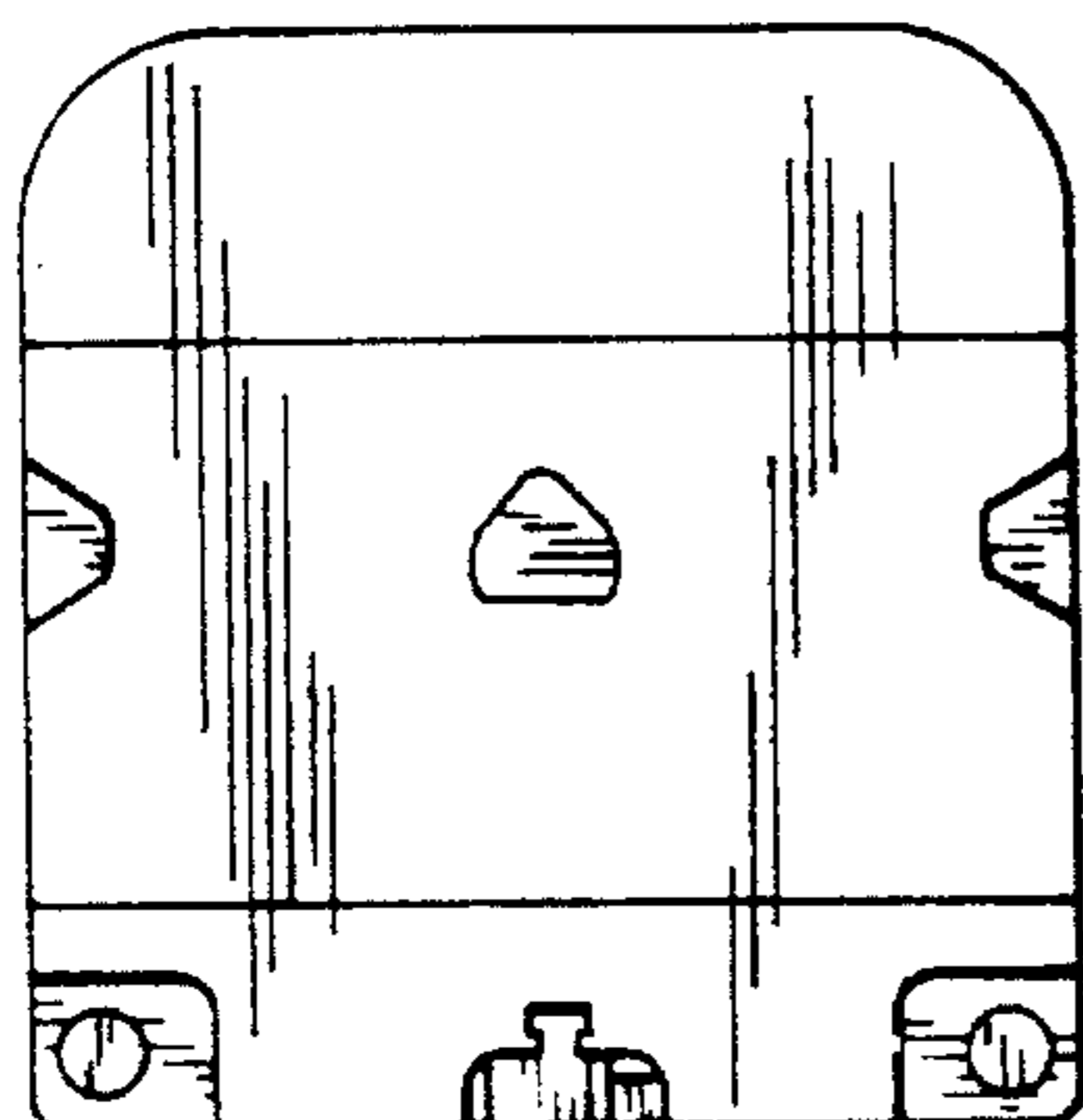


FIG. 4



FIG. 5

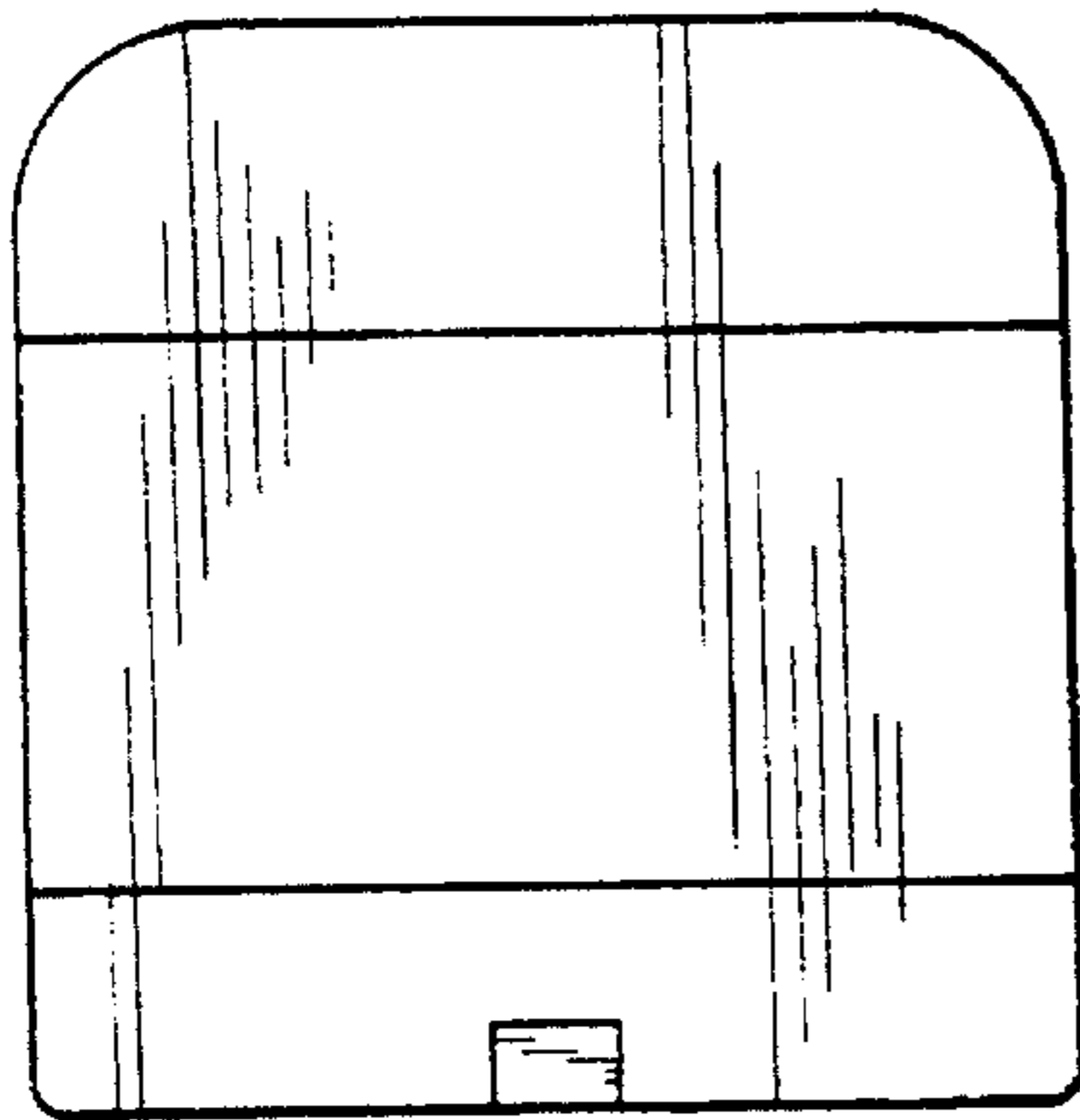


FIG. 6



FIG. 7

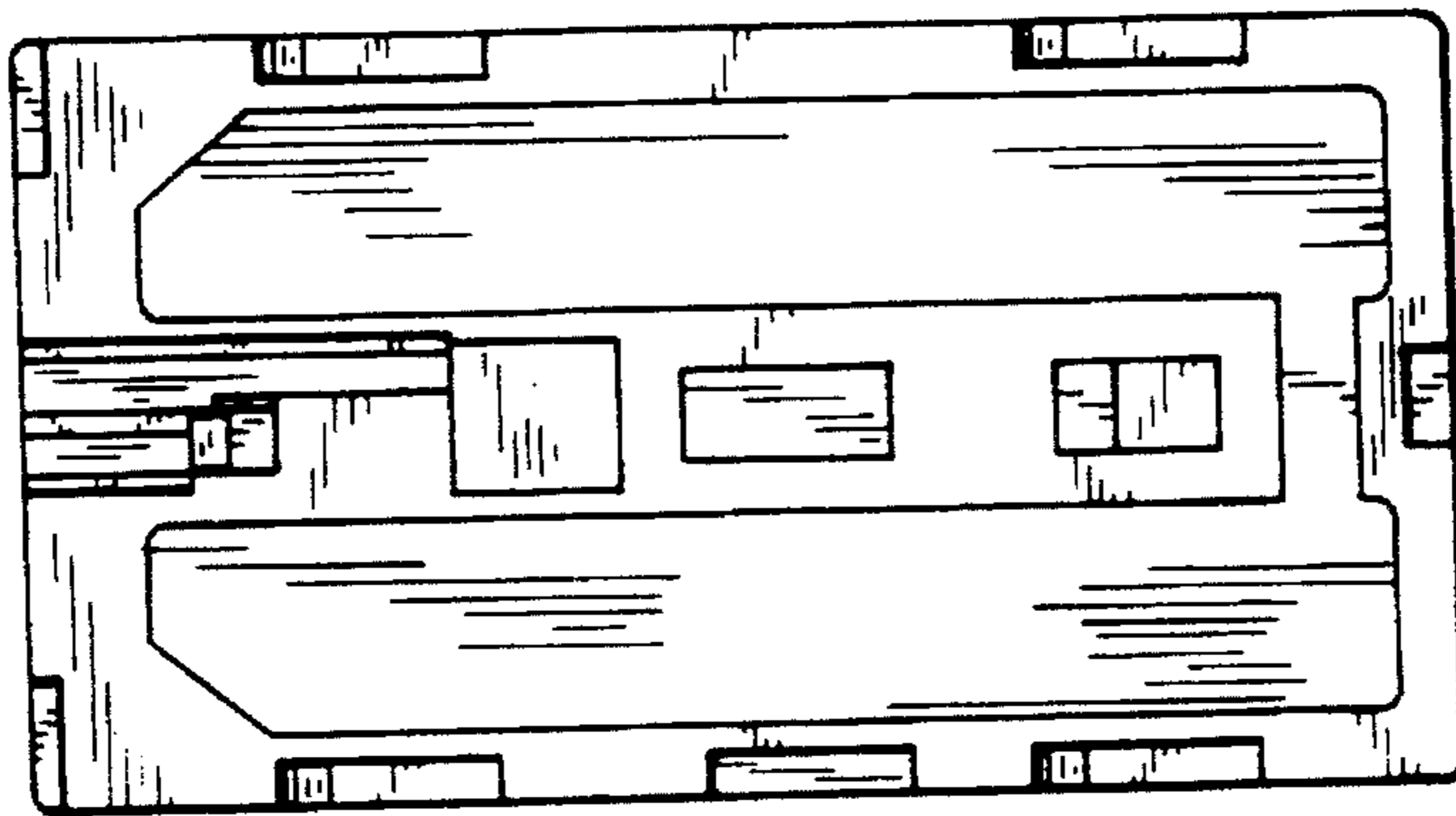


FIG. 8

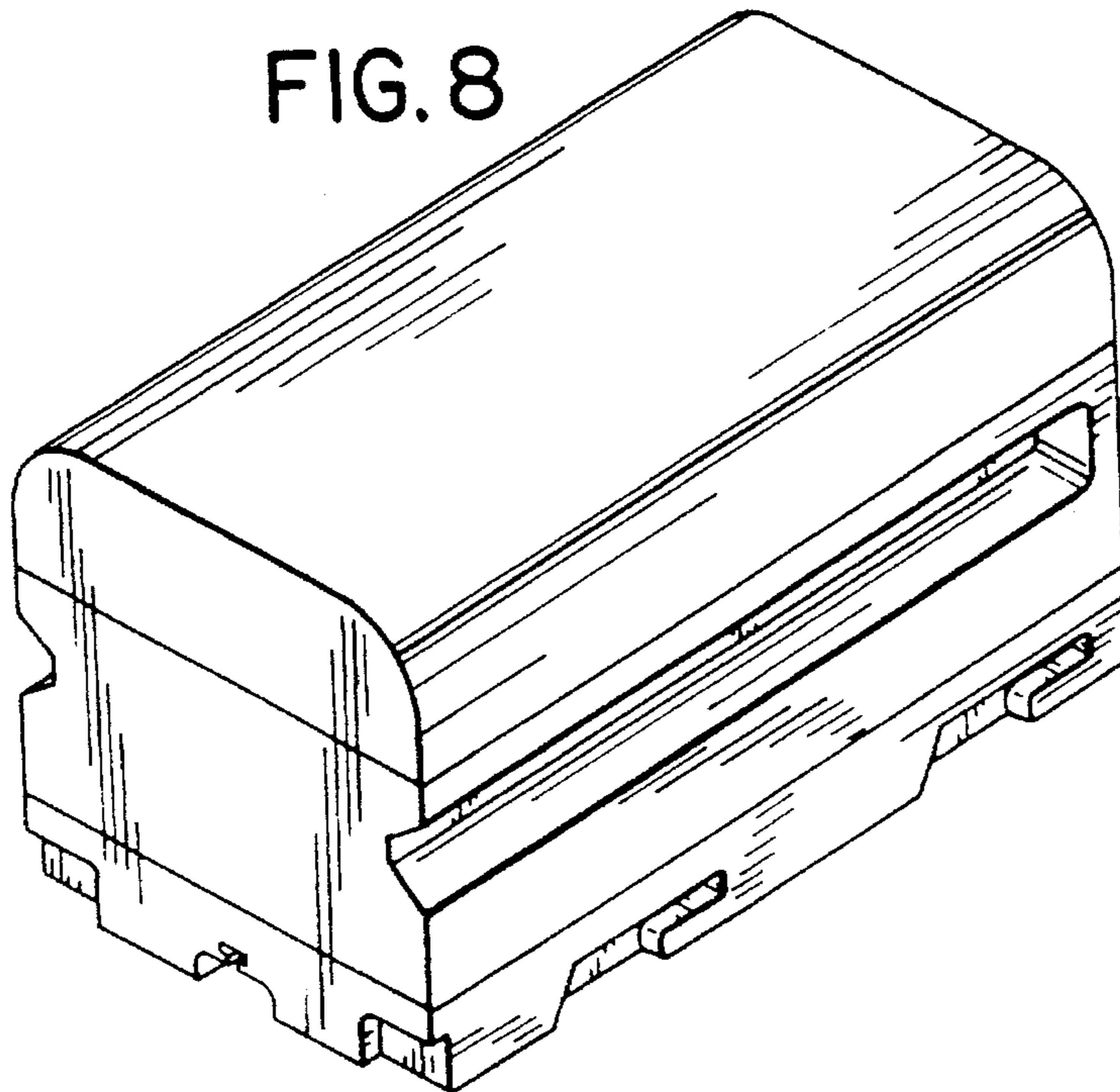


FIG. 9

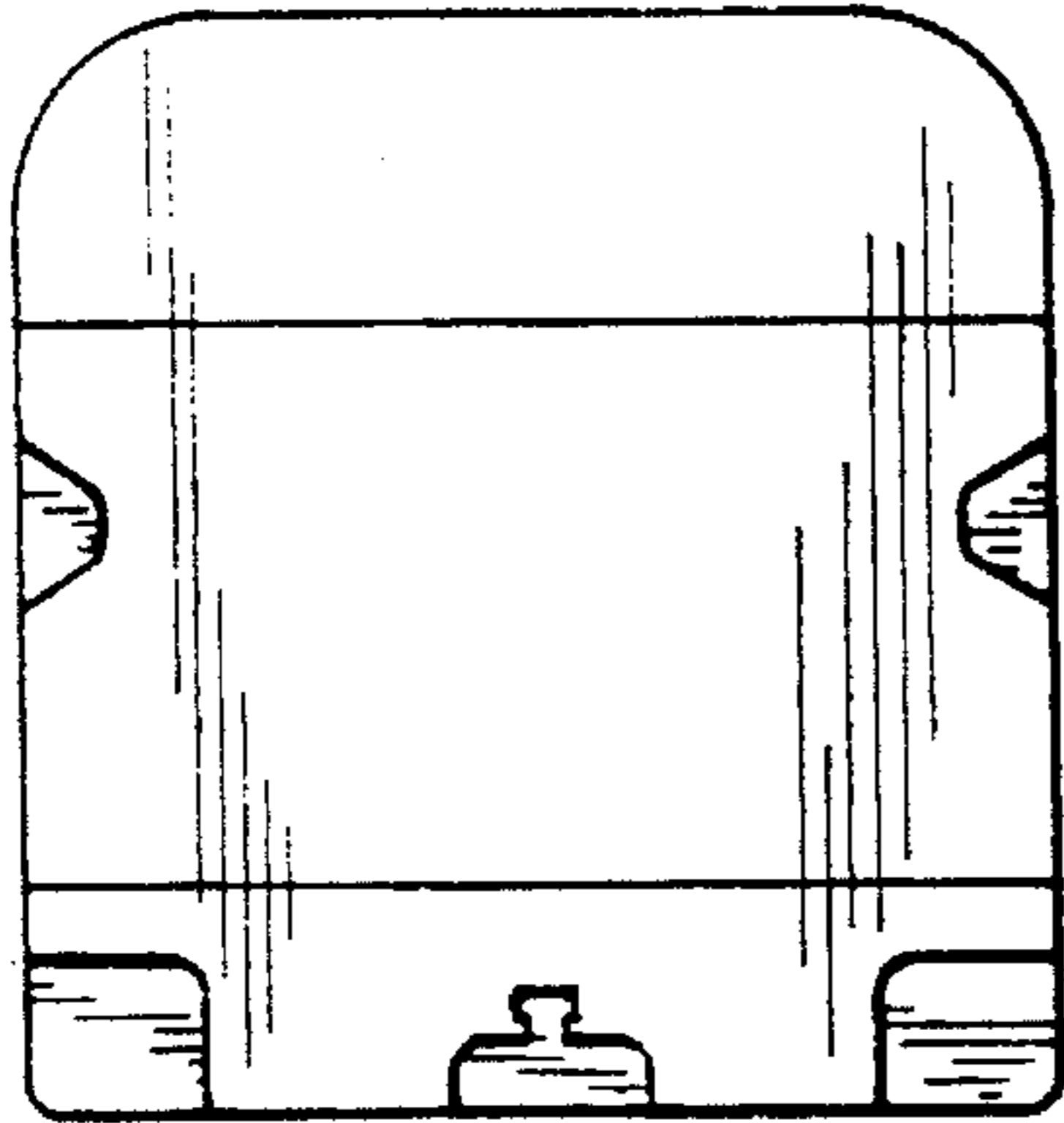


FIG. 10



FIG. 11

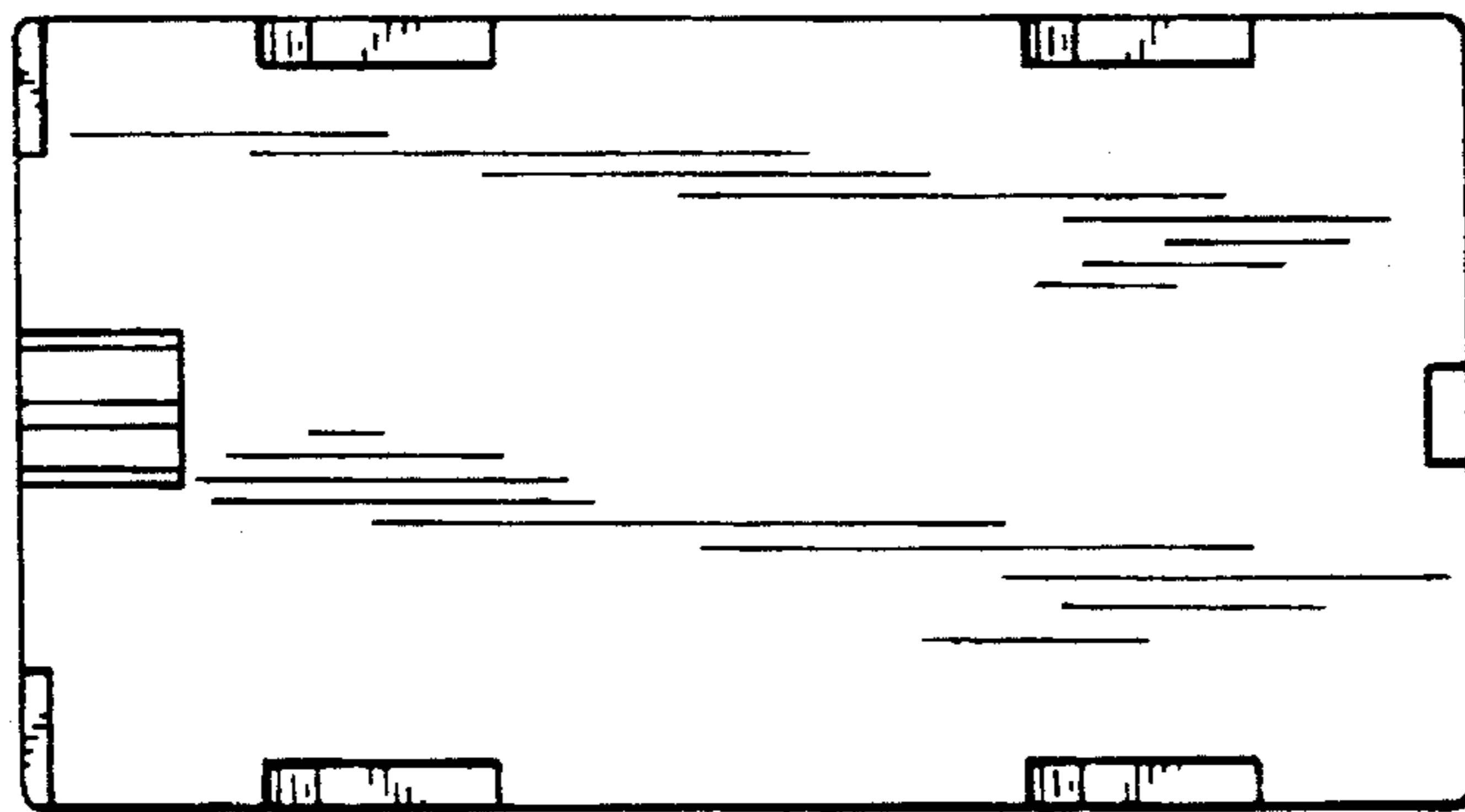


FIG. 12

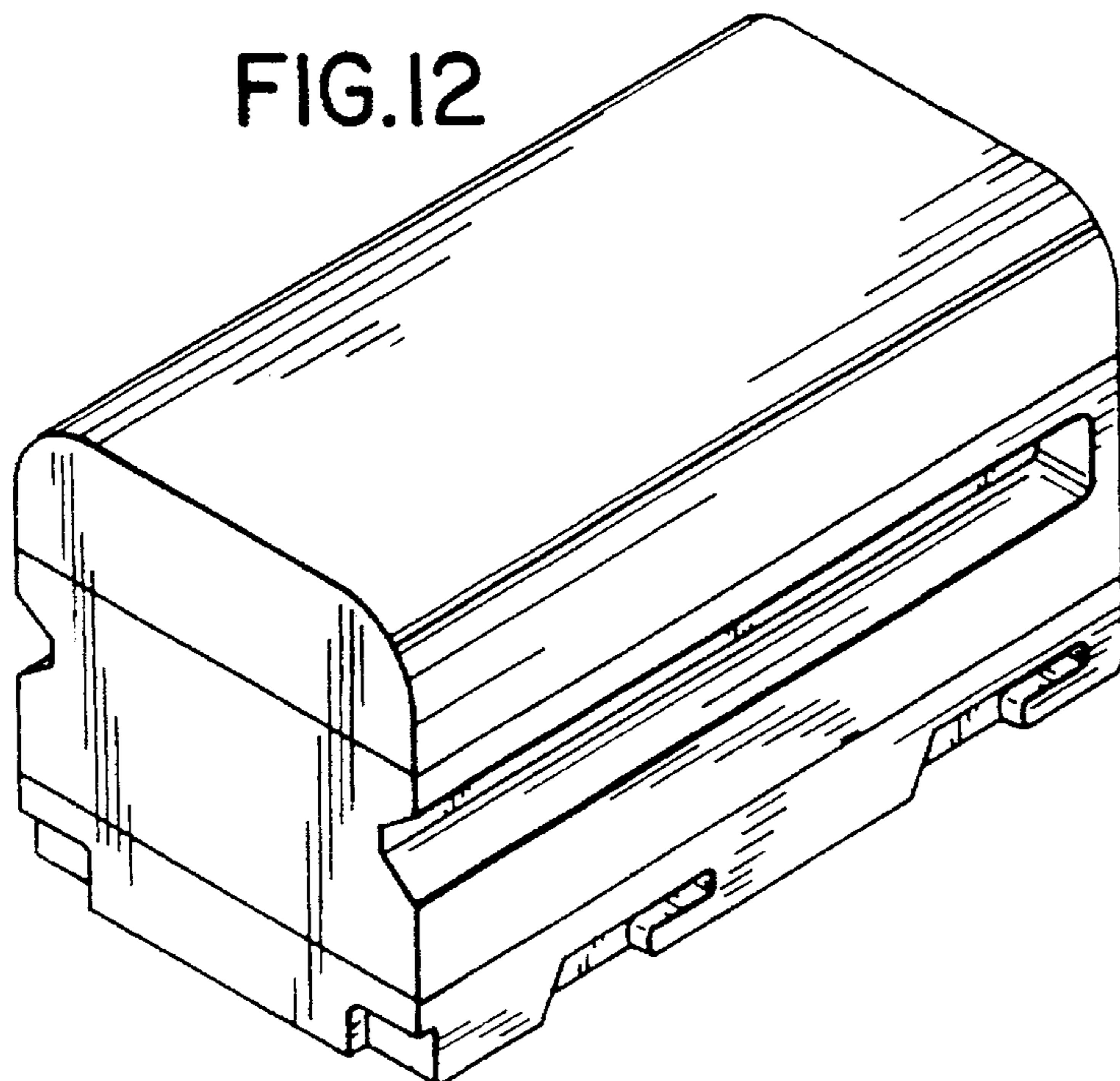


FIG.13

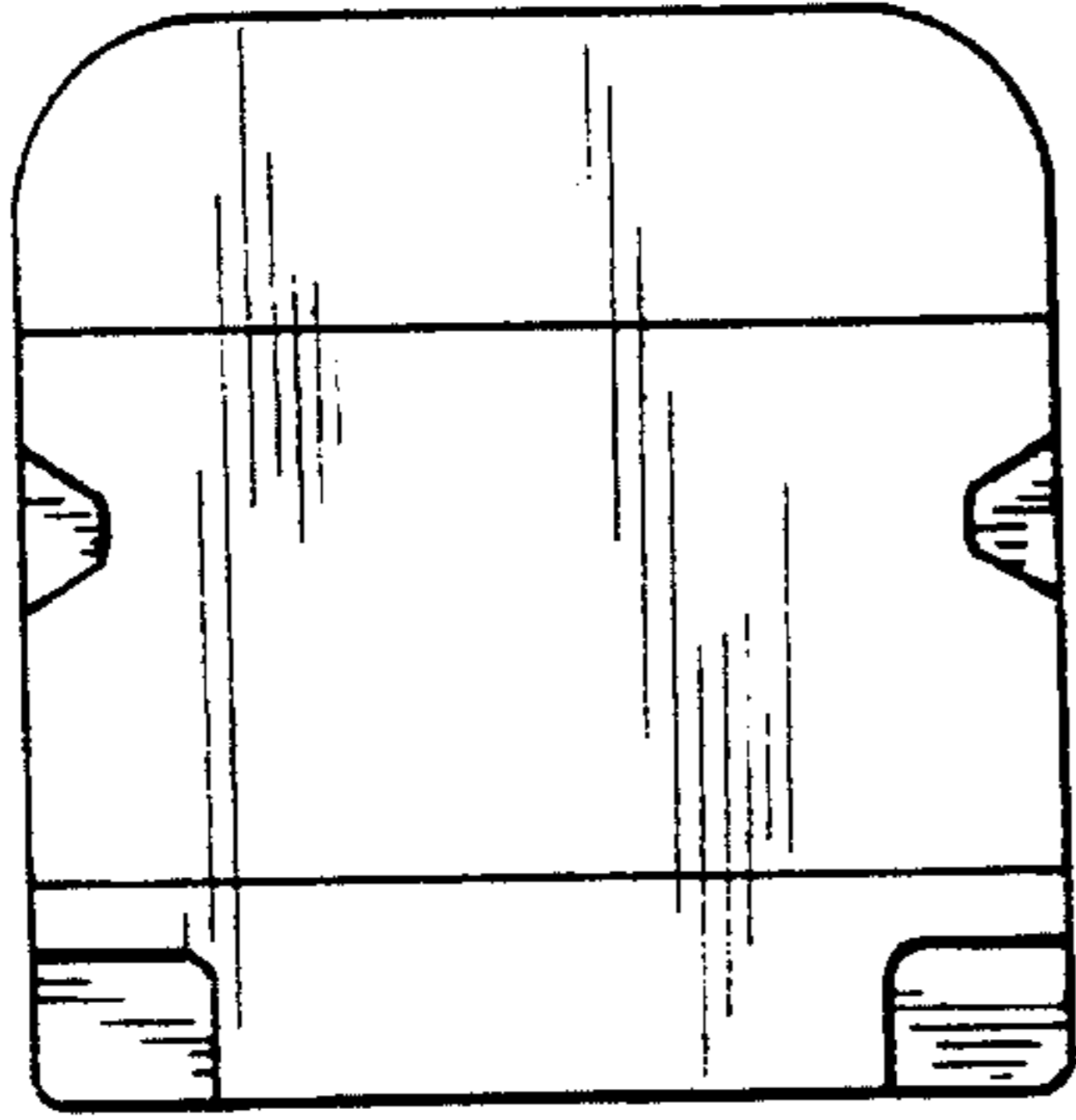


FIG.14

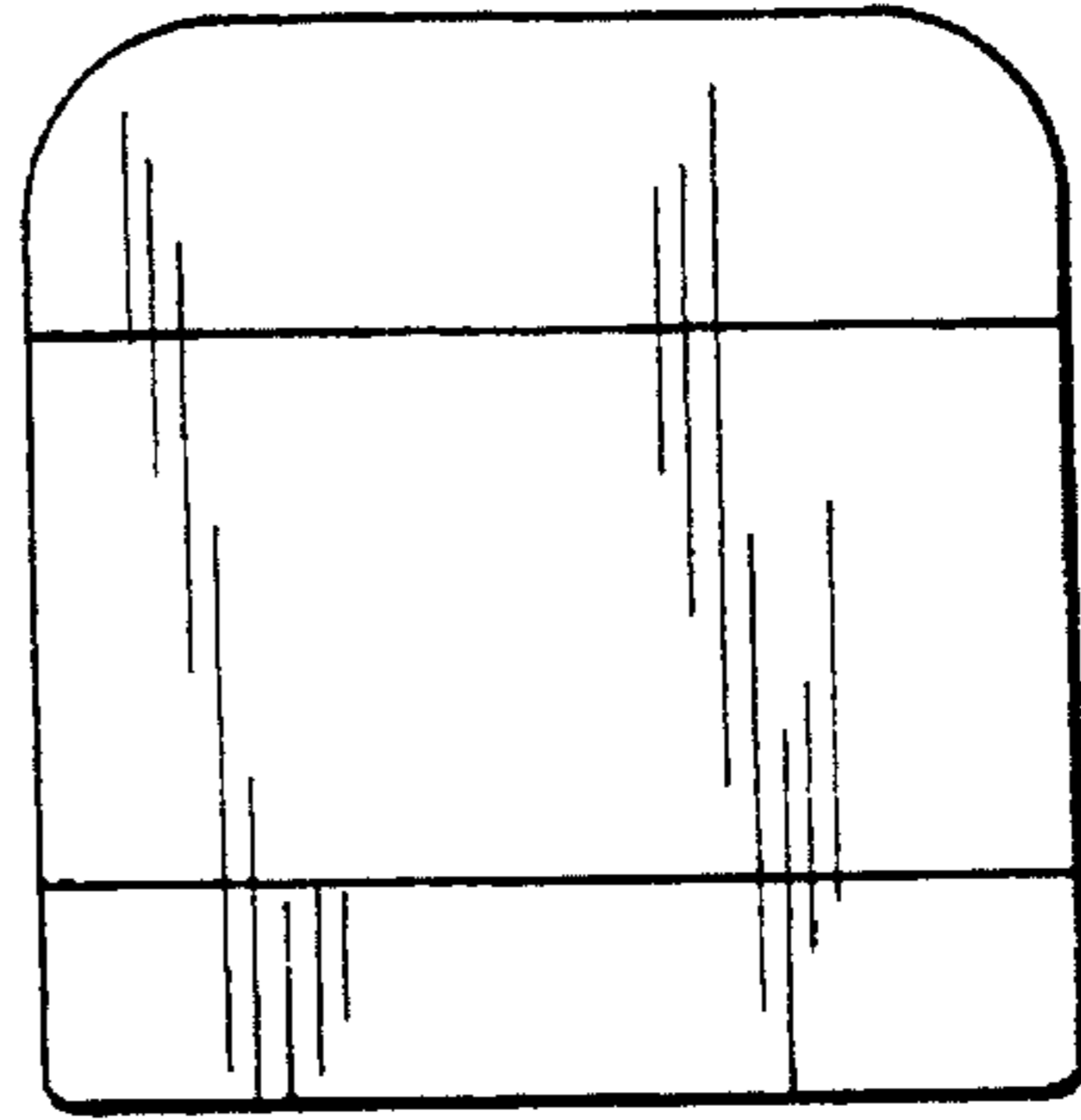


FIG.15

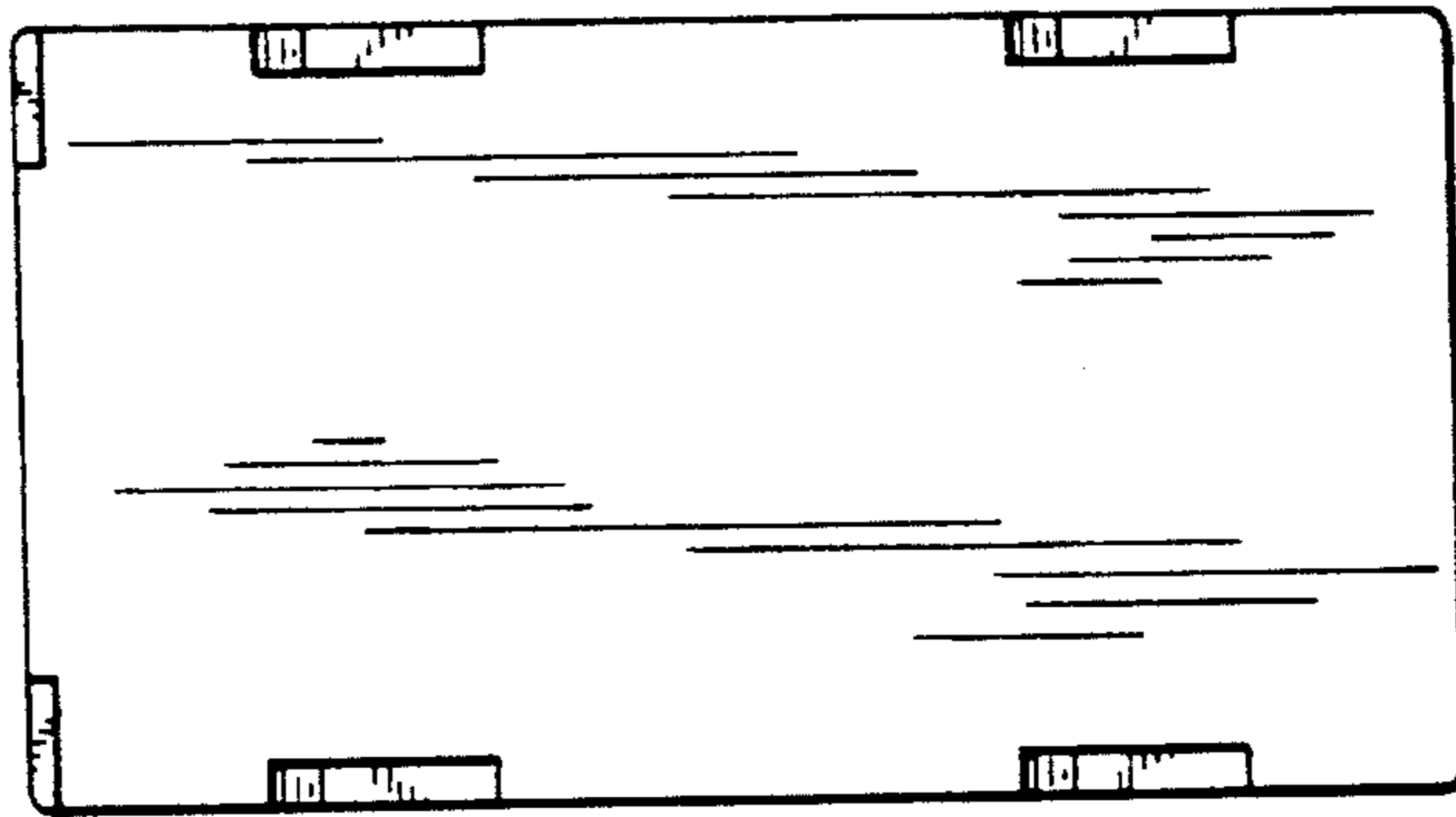


FIG.16

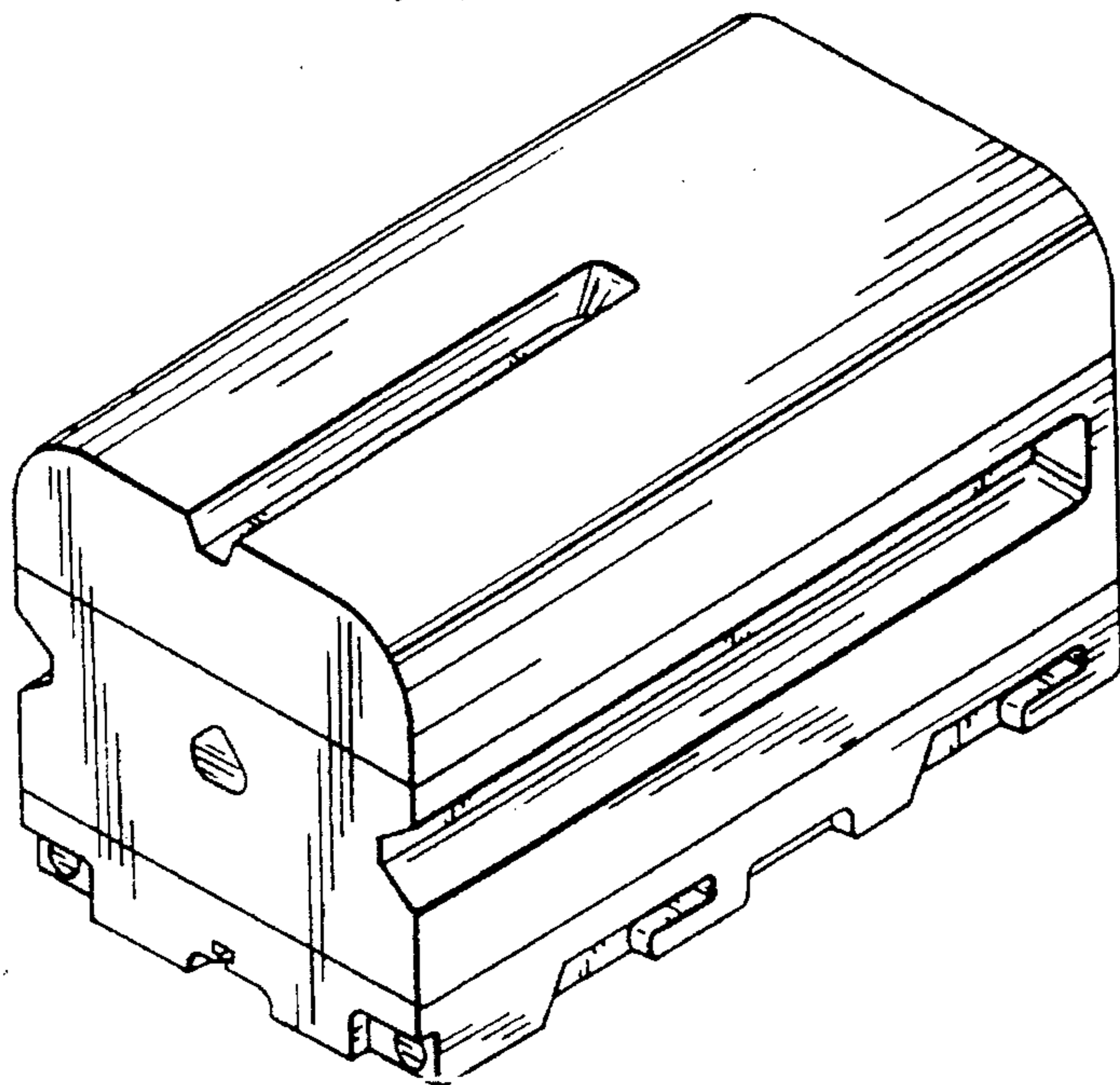


FIG. 17

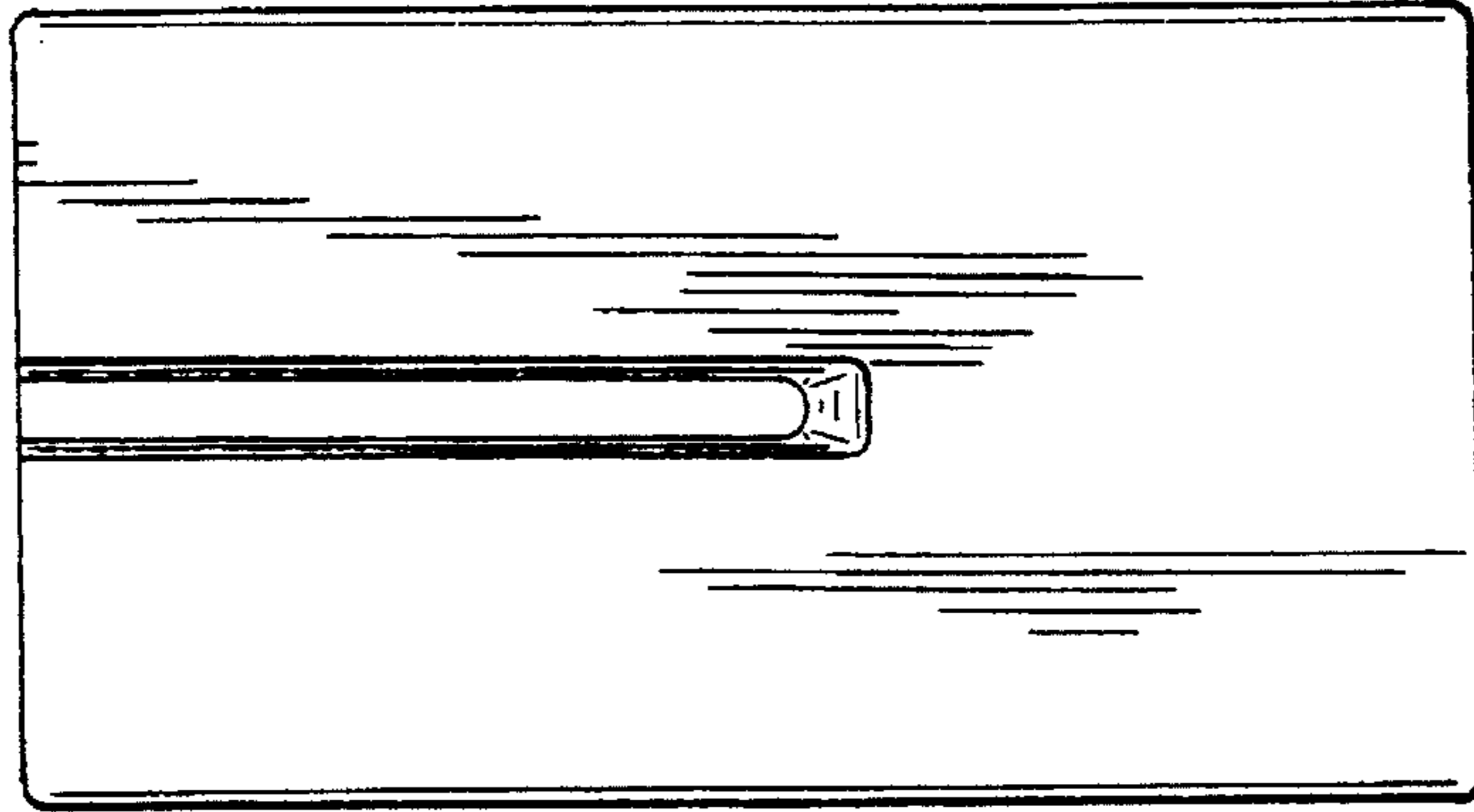


FIG. 18

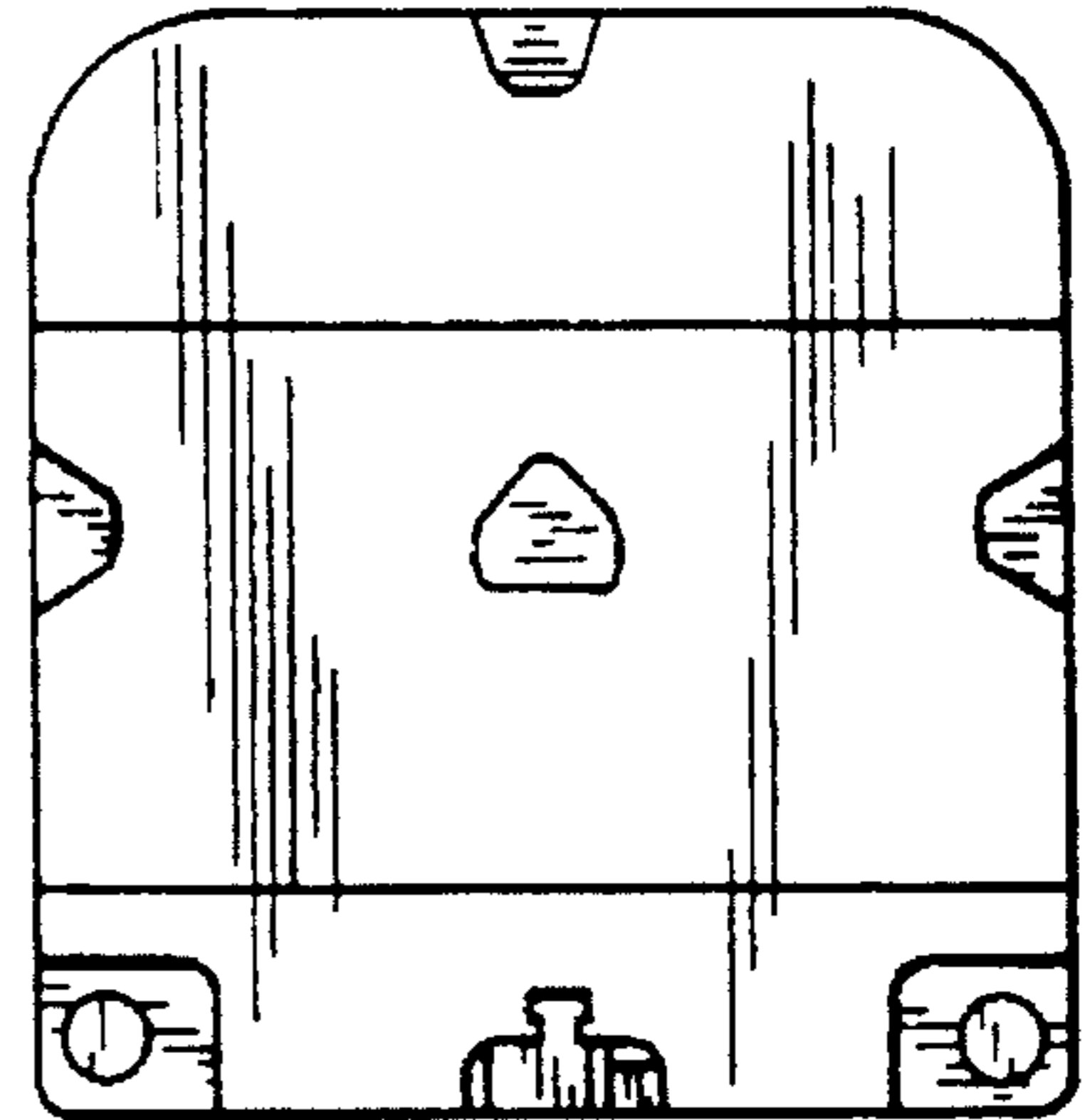


FIG. 19



FIG. 20

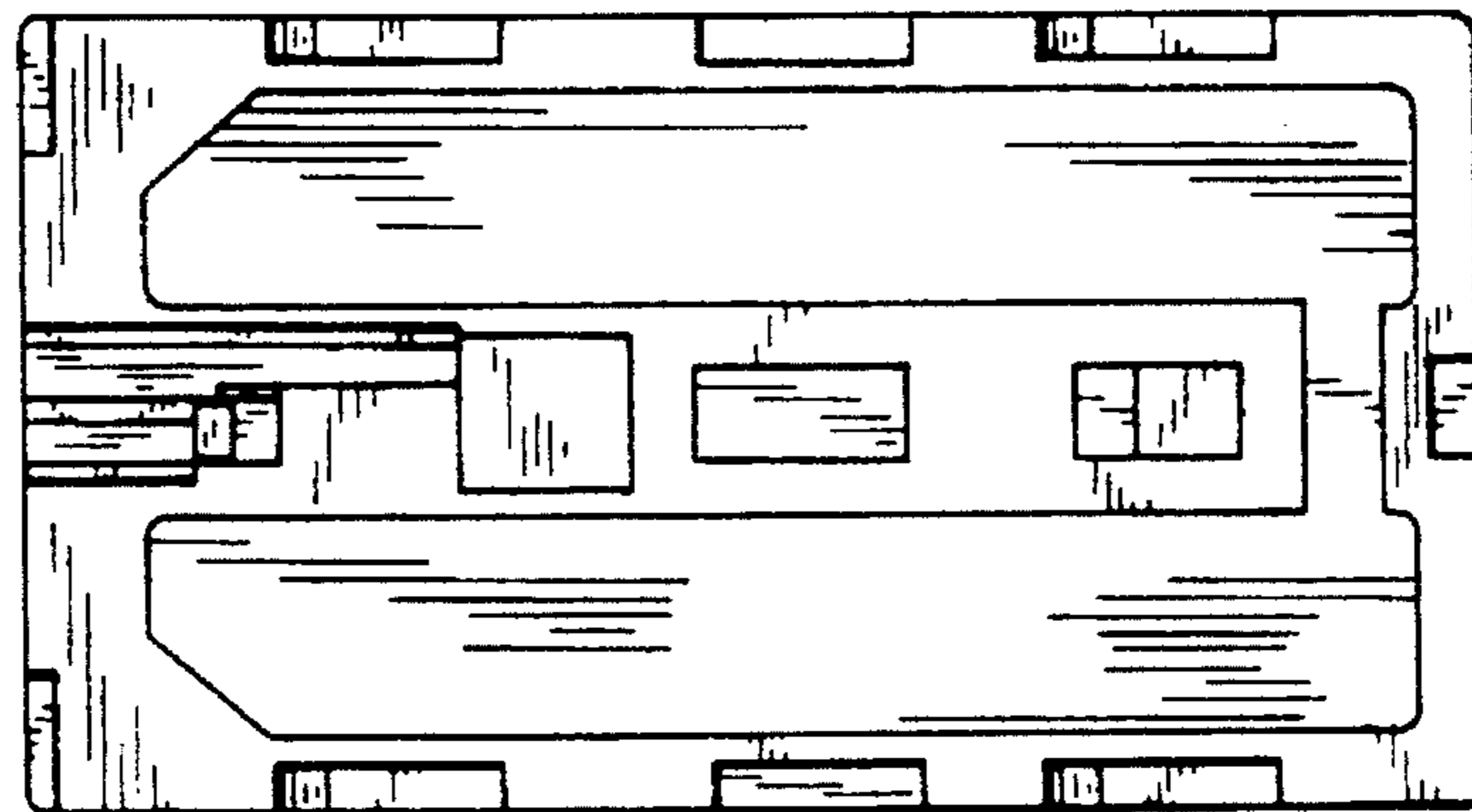


FIG.21

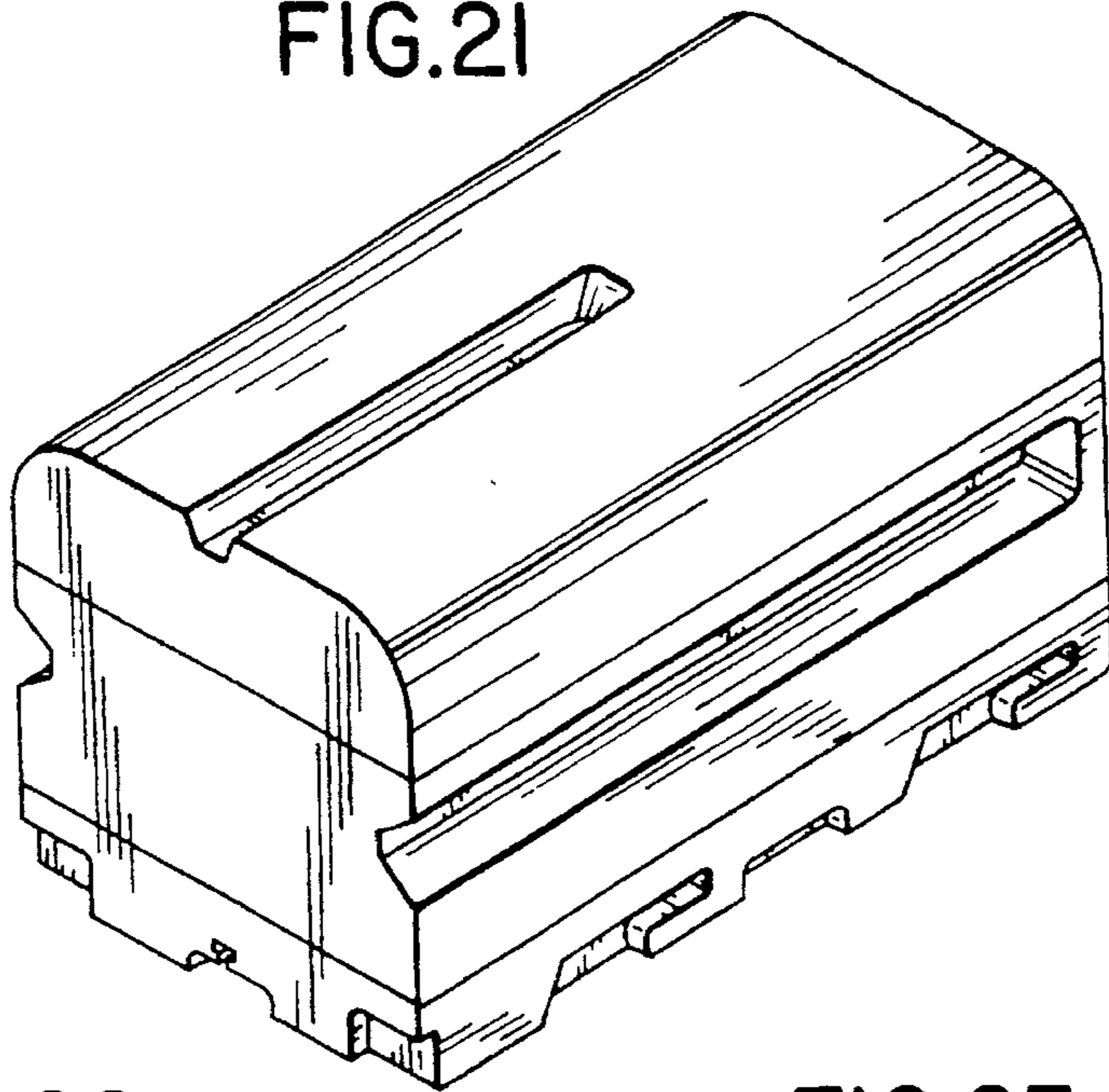


FIG. 22

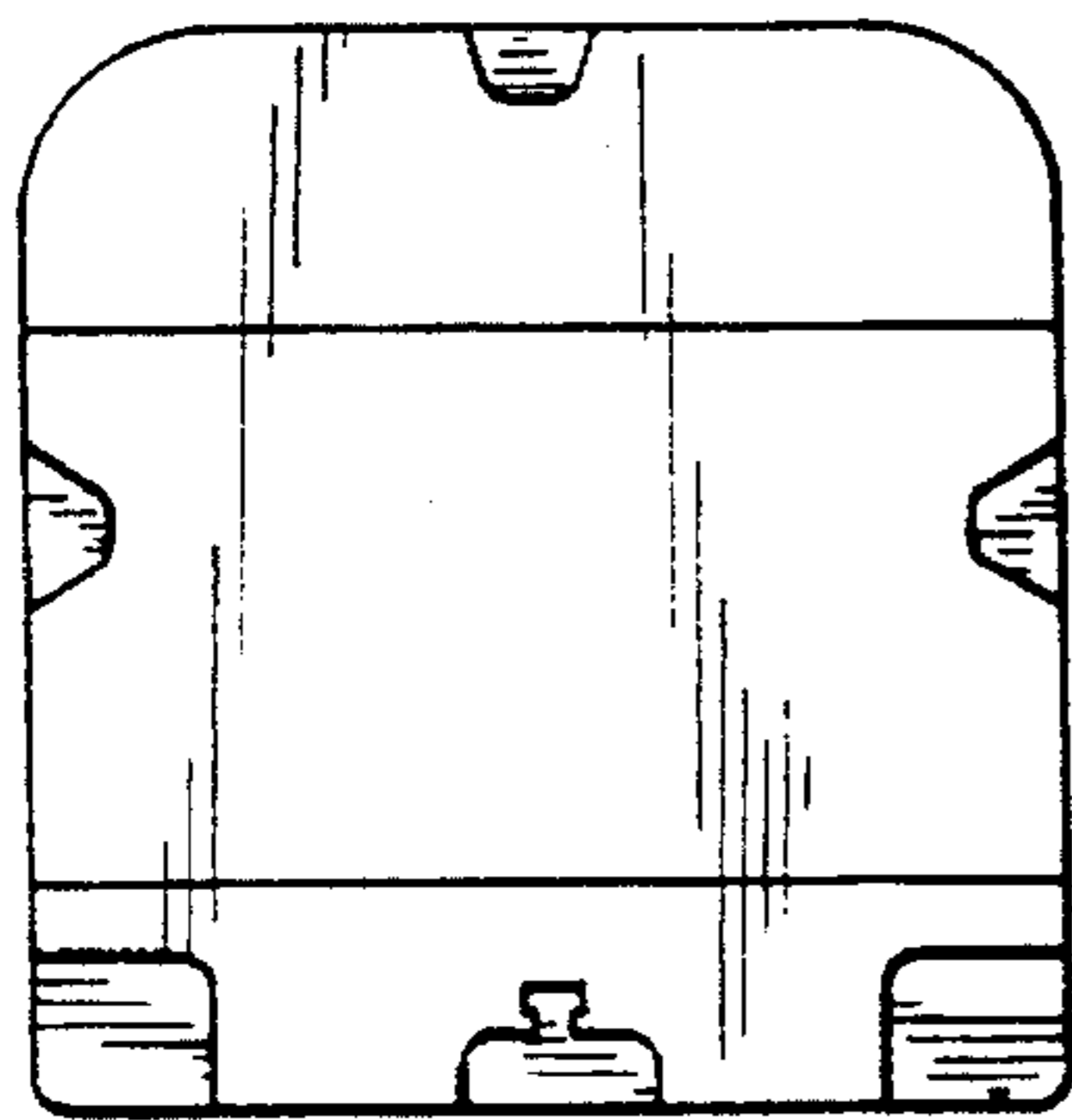


FIG.23

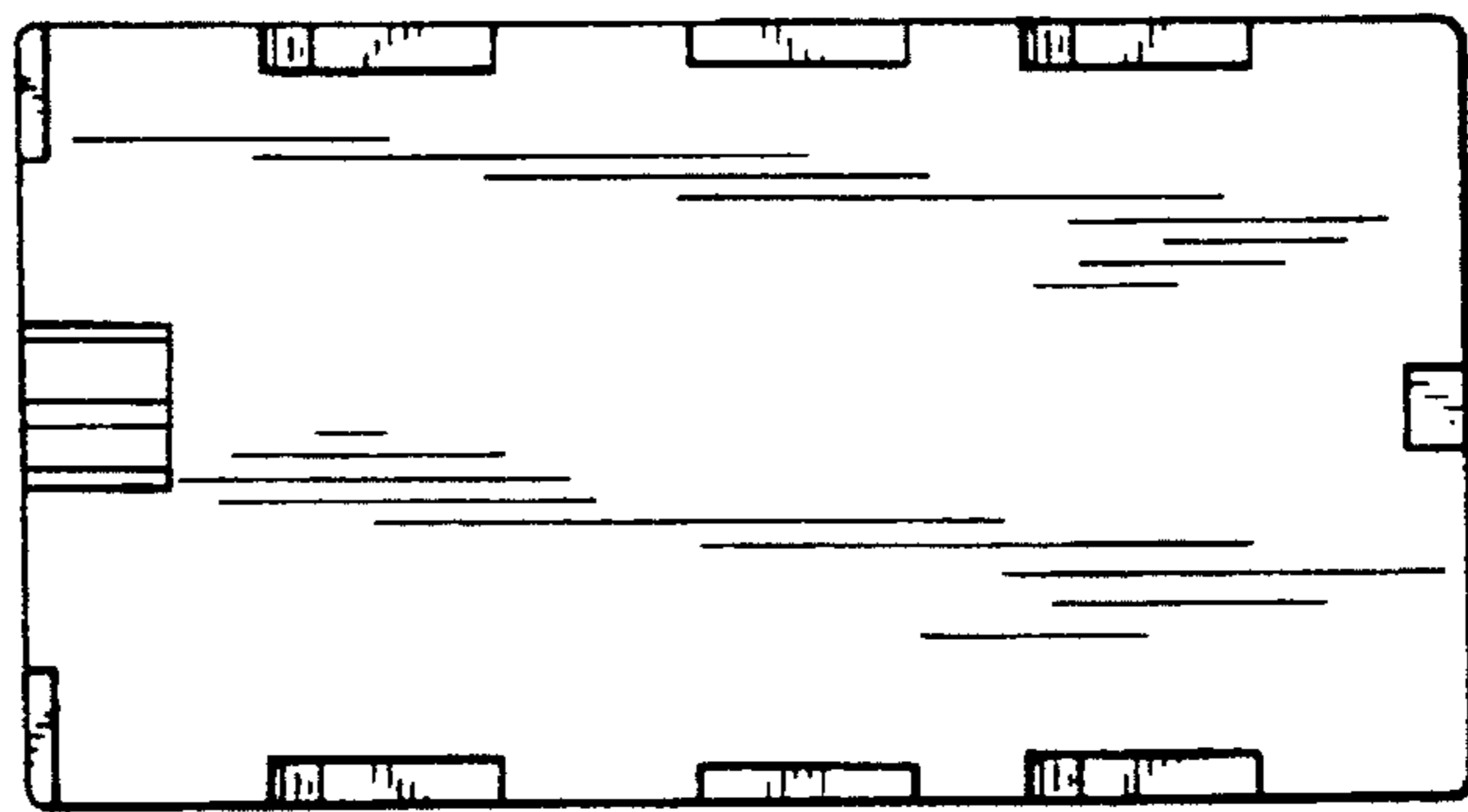


FIG.24

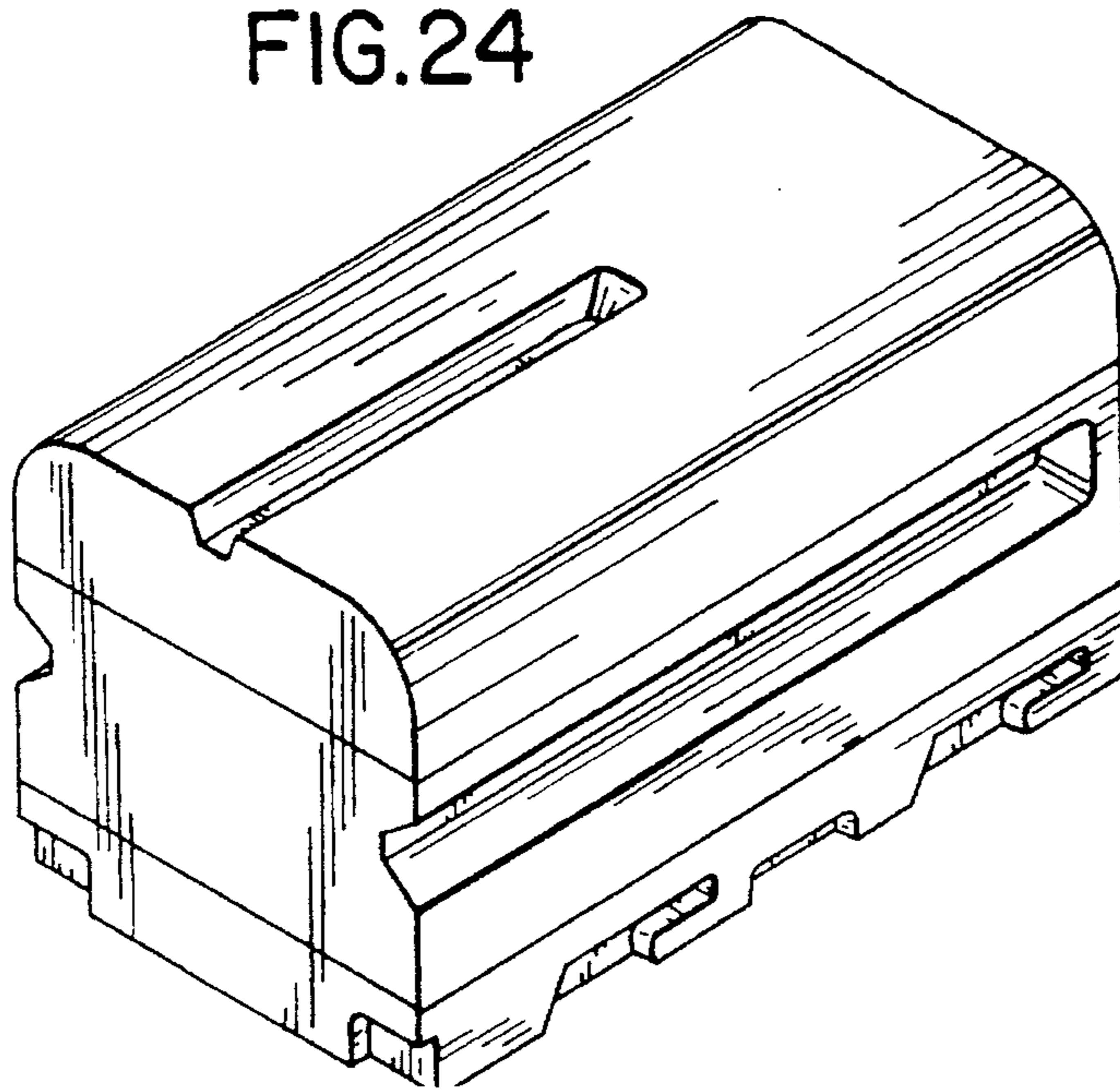


FIG. 25

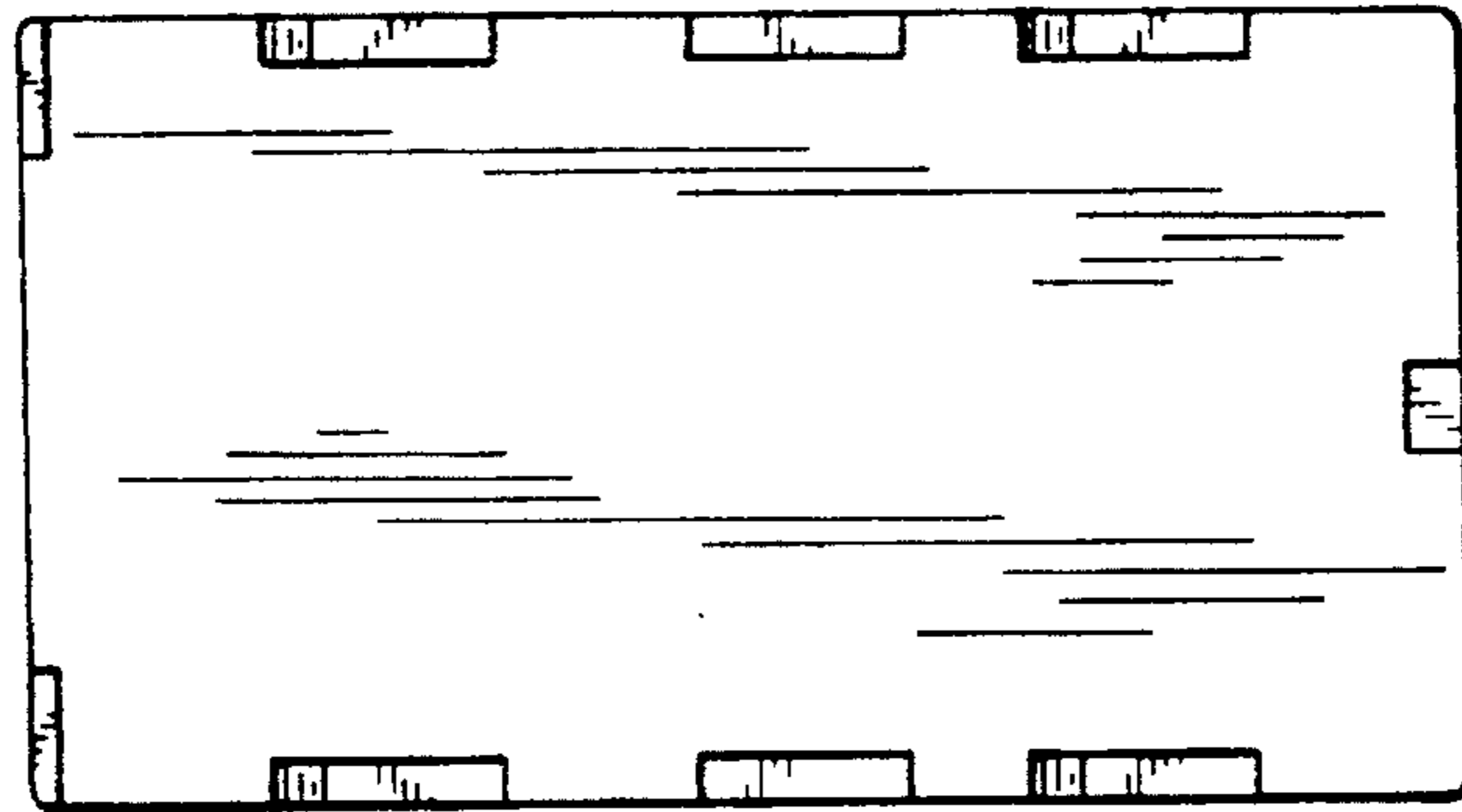


FIG. 26

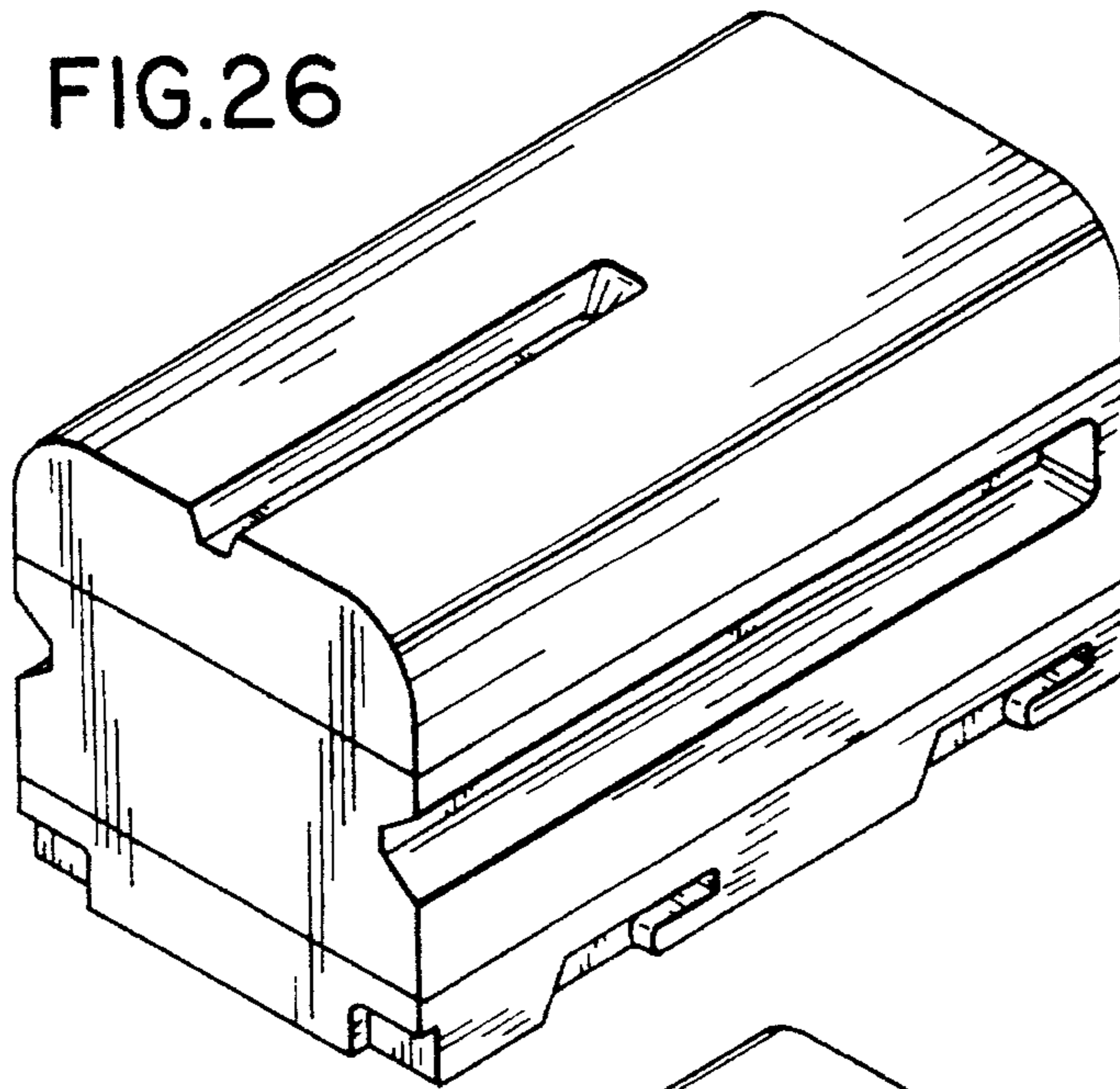


FIG. 27

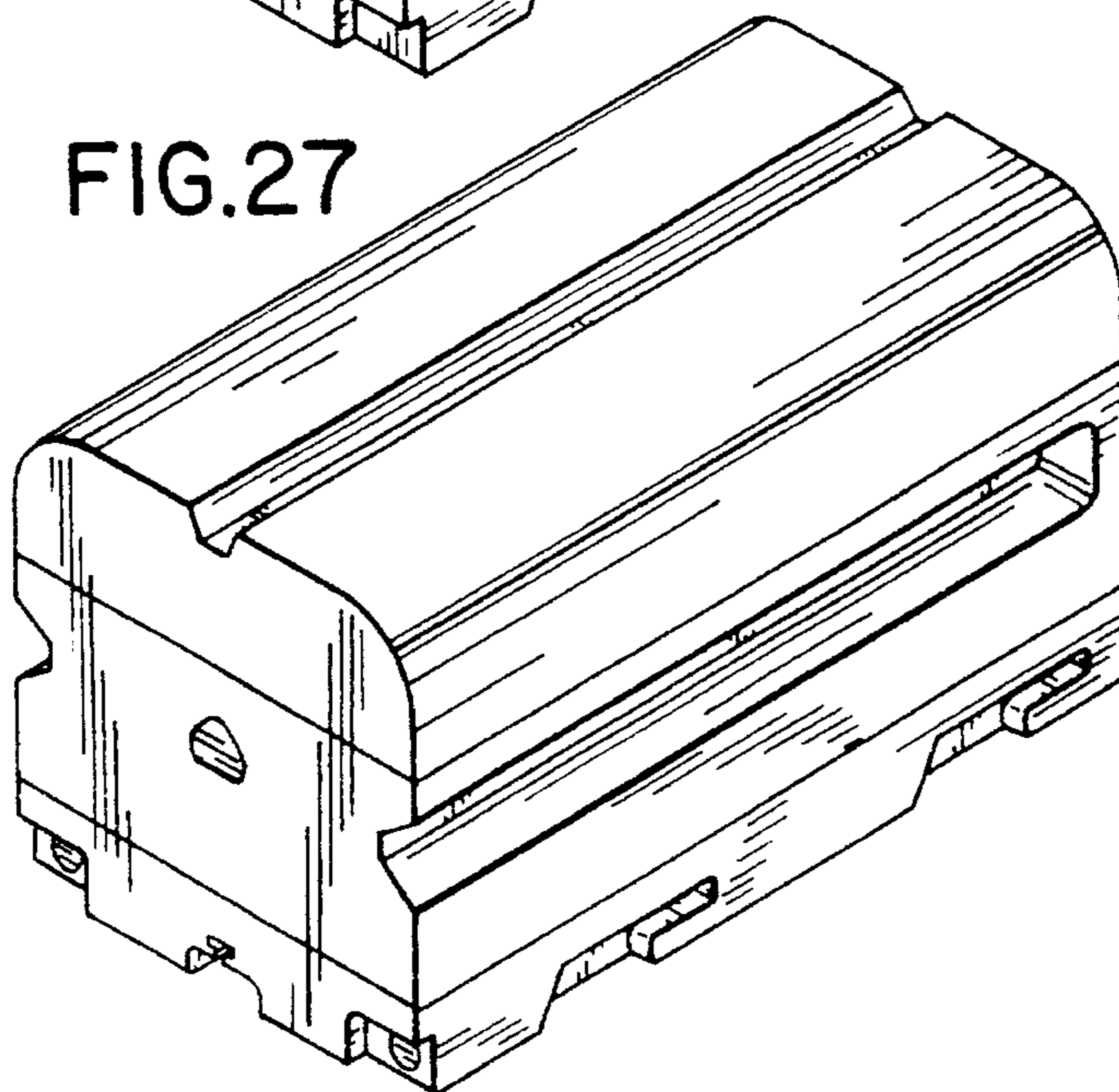


FIG. 28

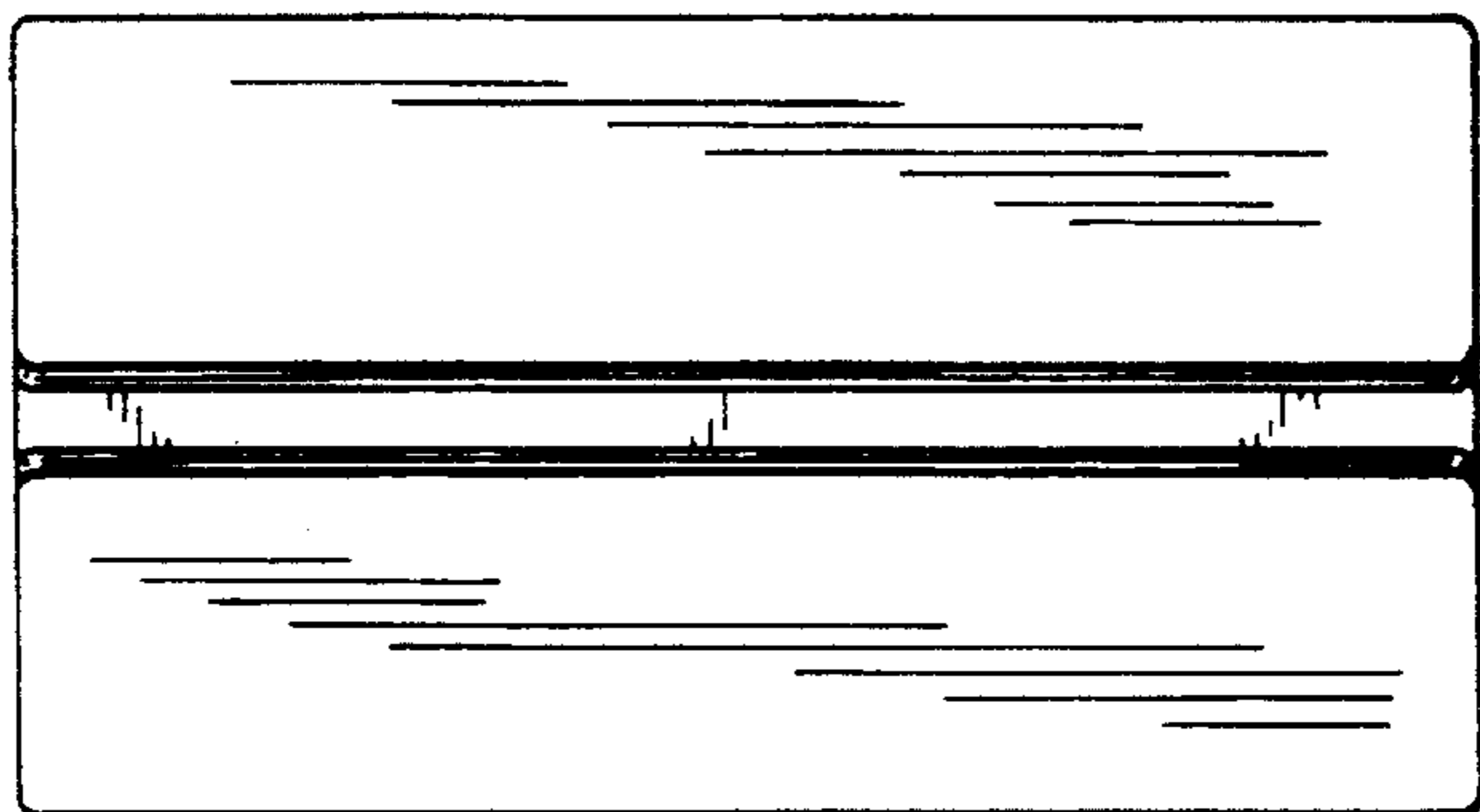


FIG. 29

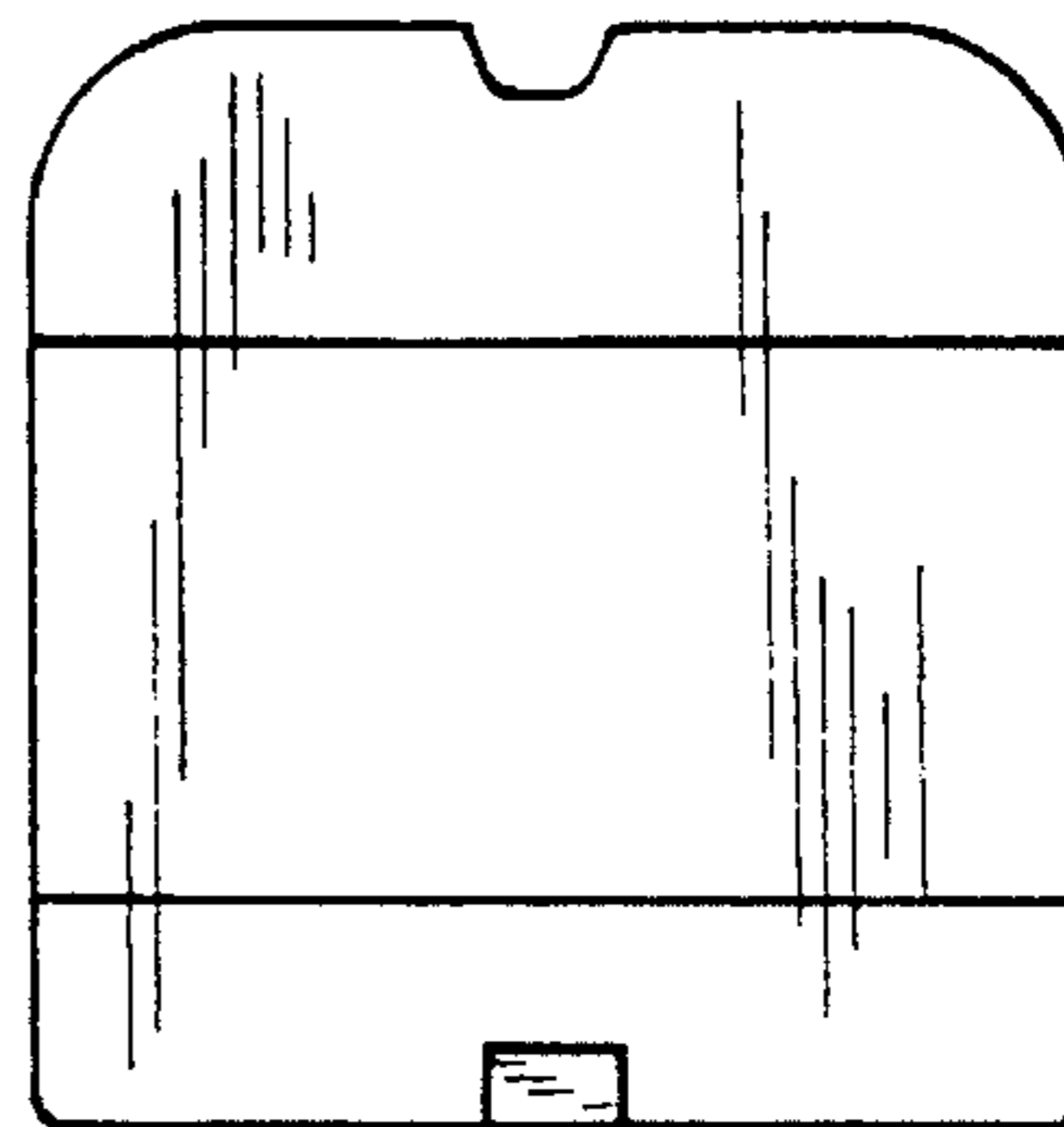


FIG. 30

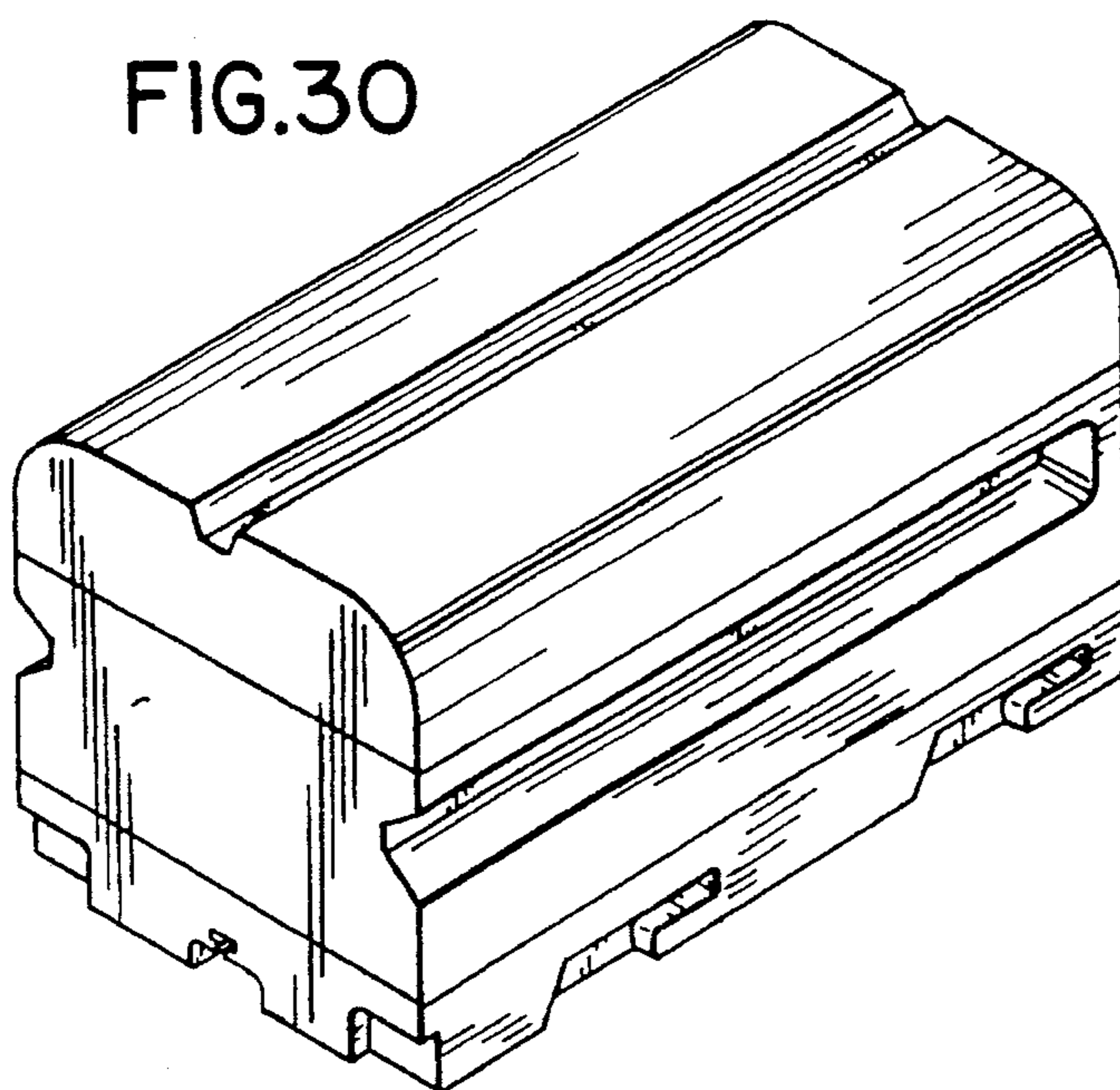


FIG. 31

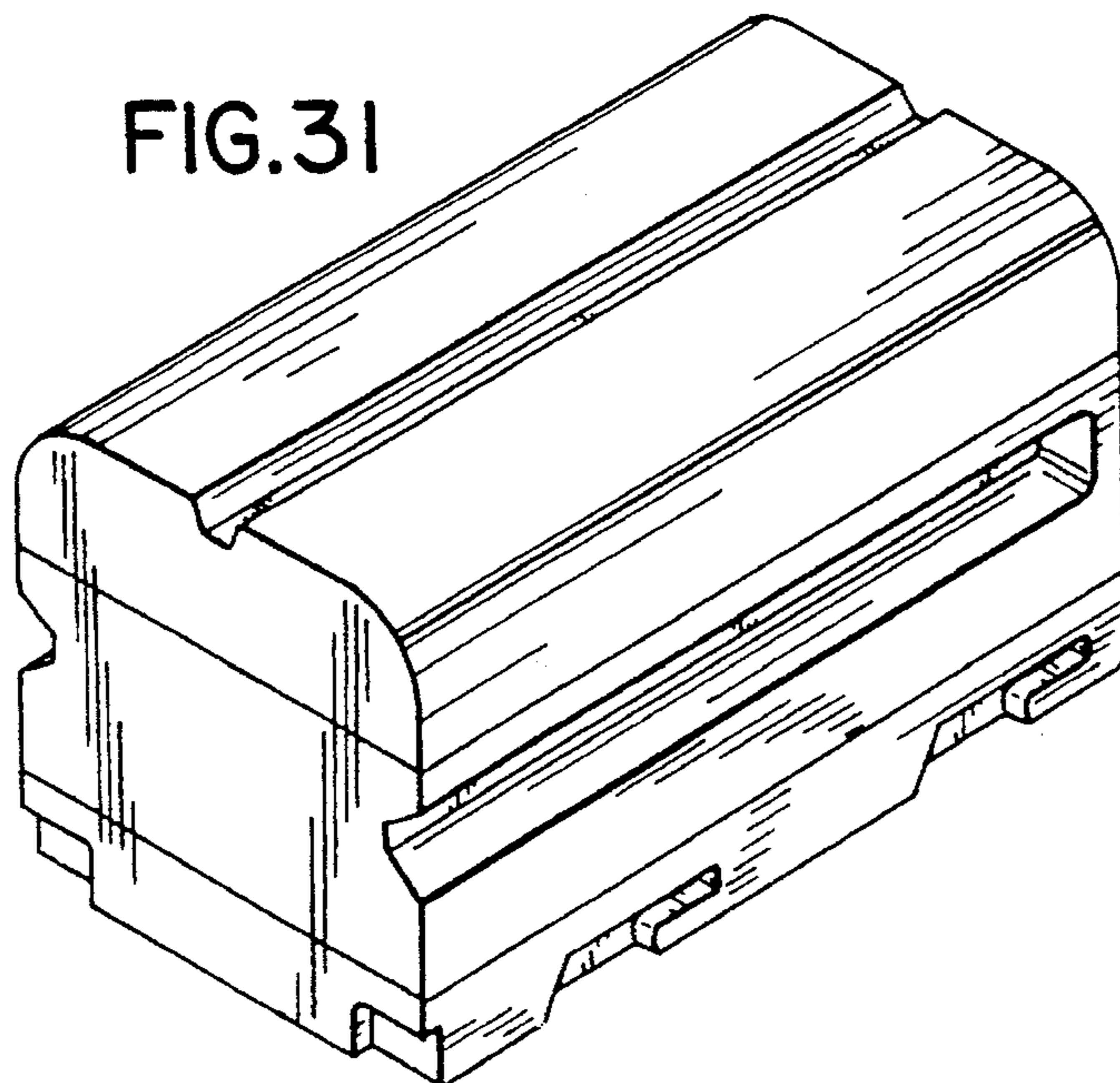


FIG. 32

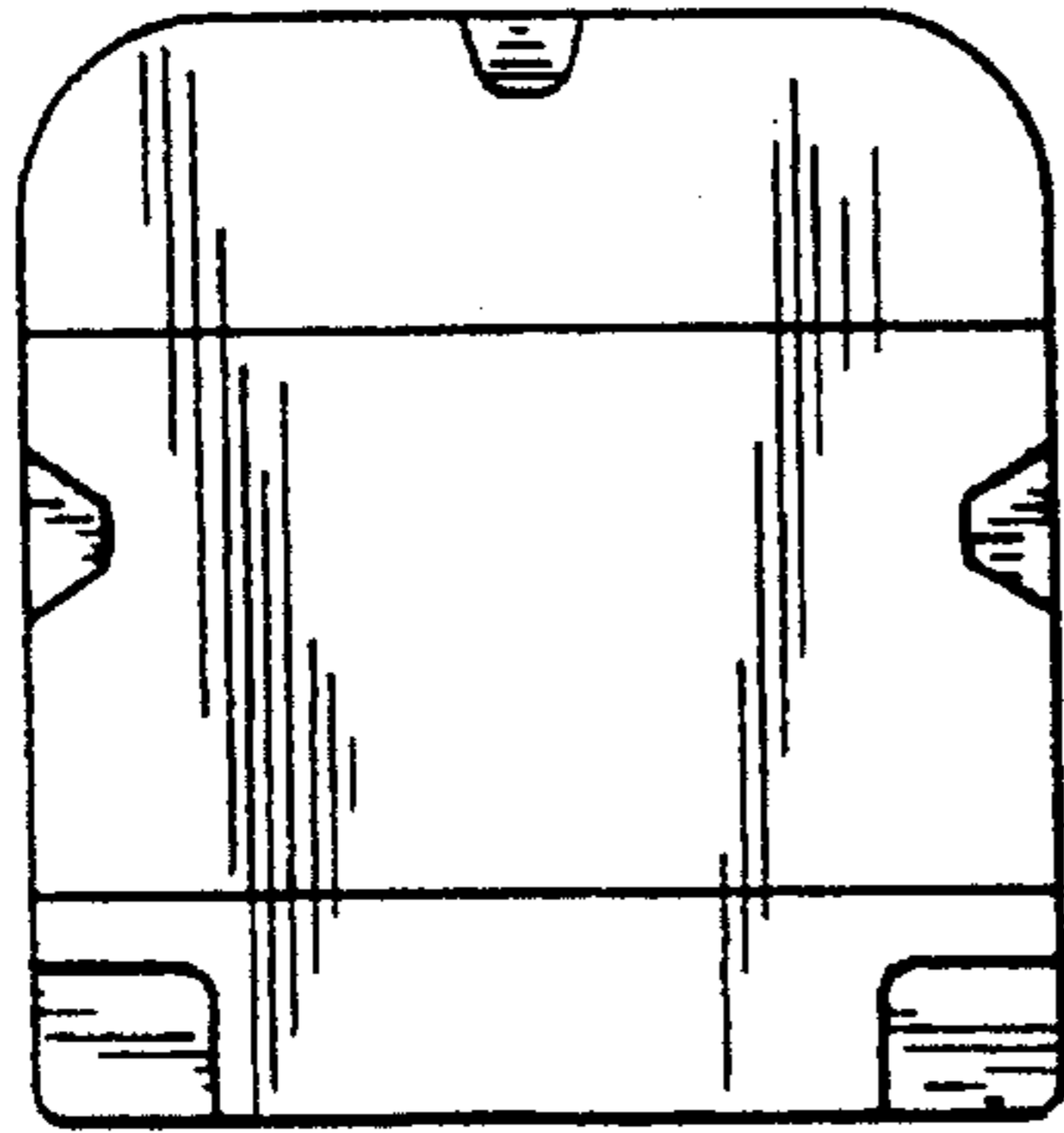


FIG. 33

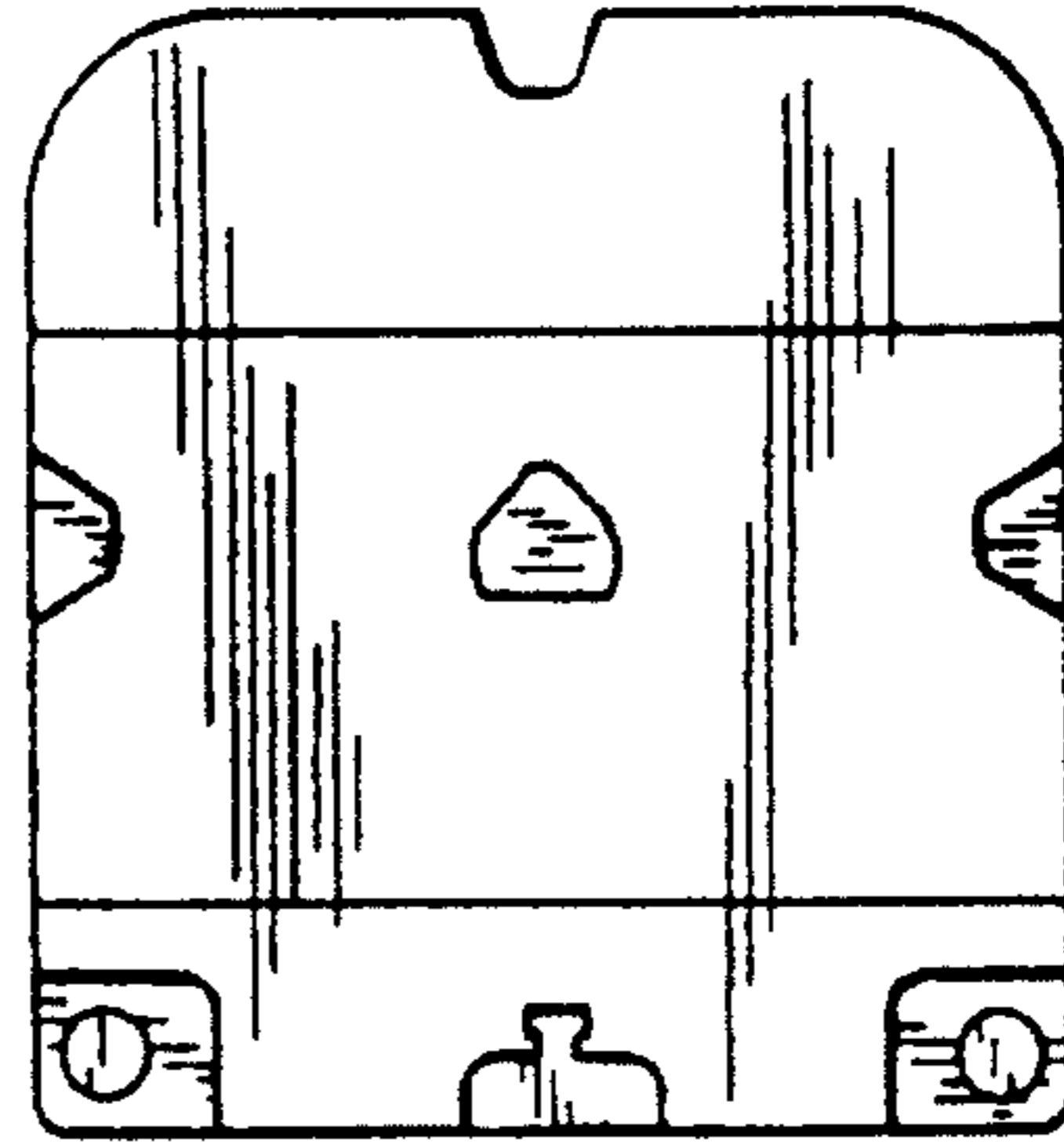


FIG. 34

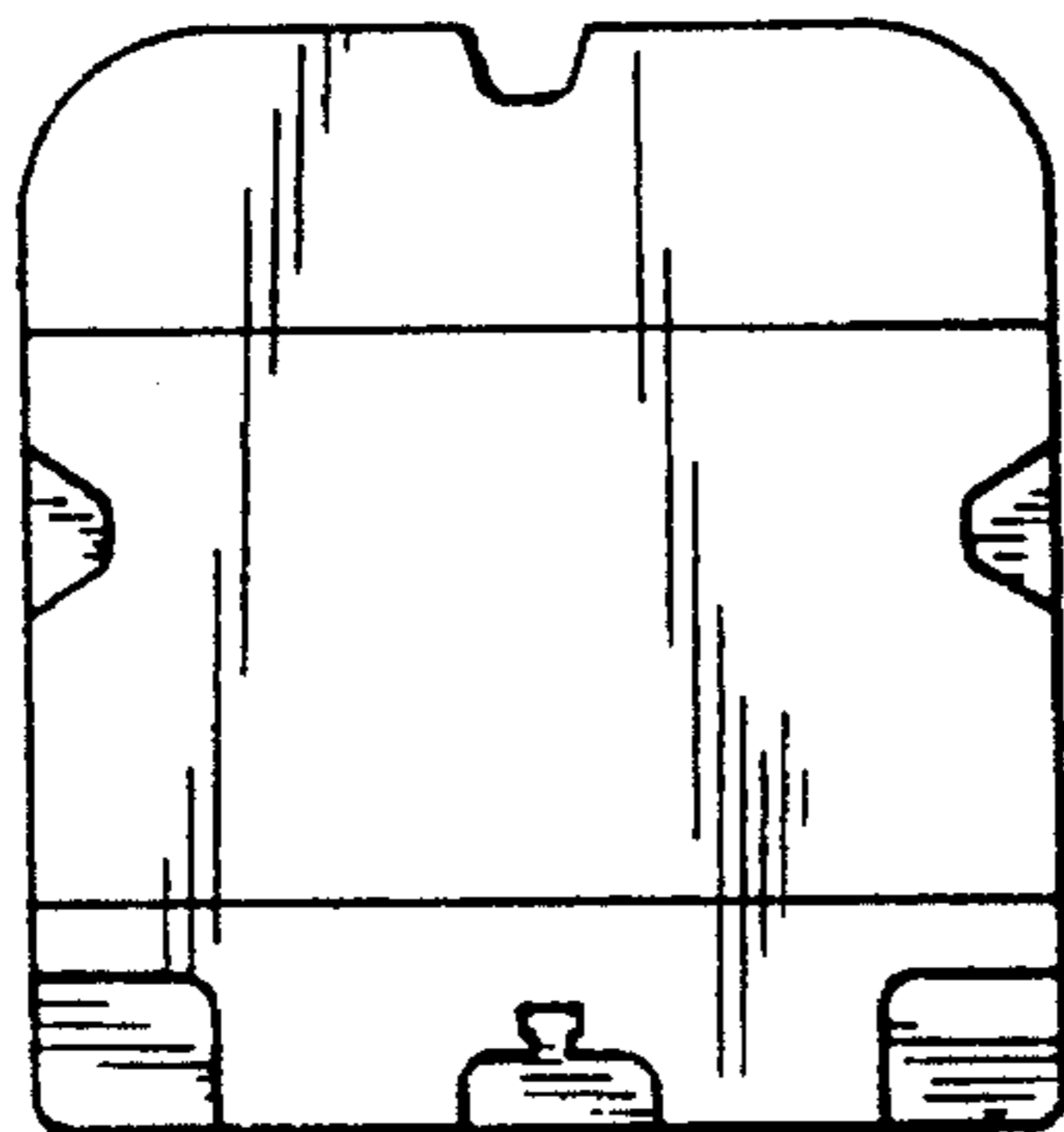


FIG. 35

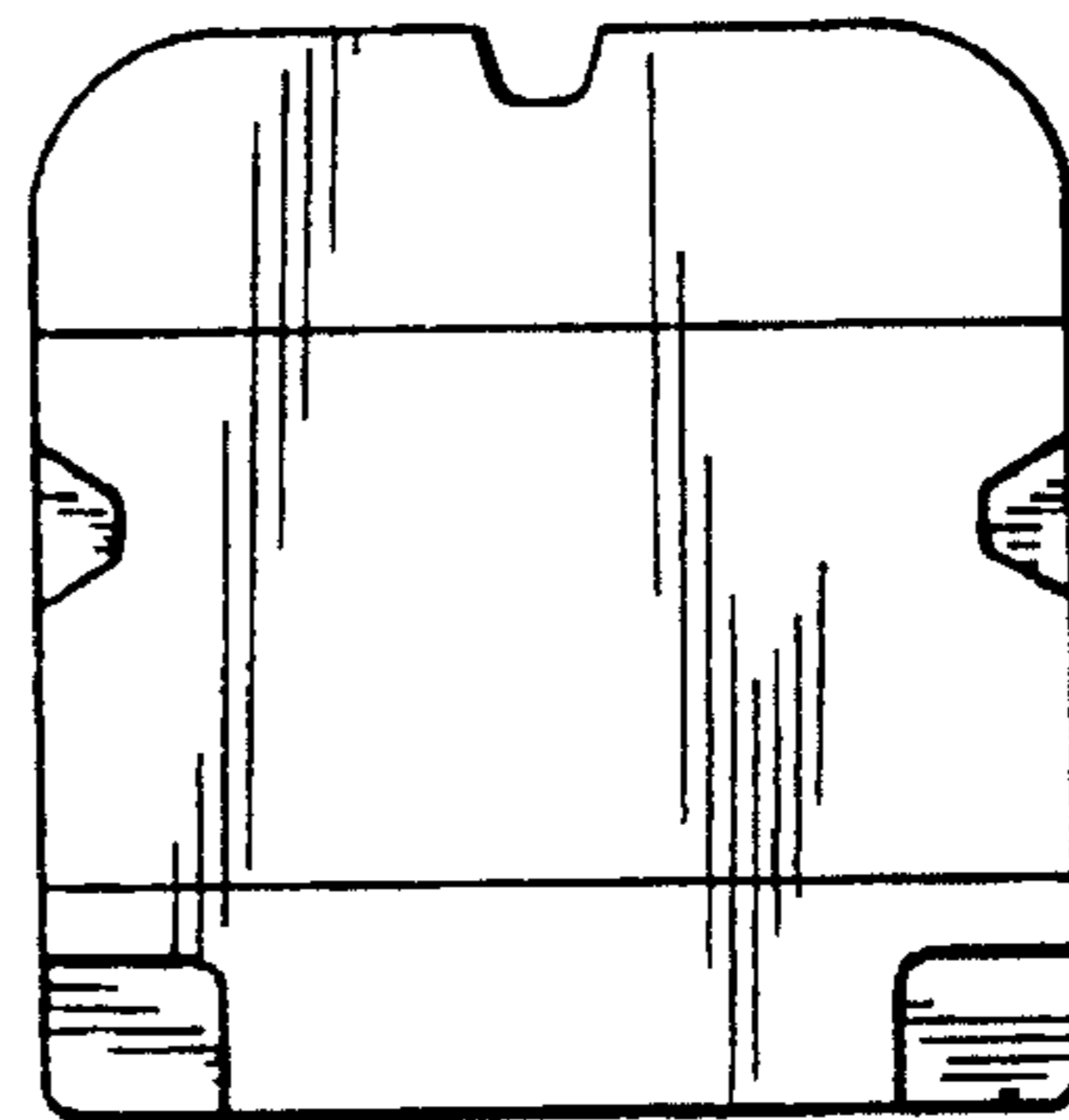


FIG. 36

