



US00D377475S

# United States Patent [19]

**Bowen**

[11] **Patent Number: Des. 377,475**

[45] **Date of Patent: \*\*Jan. 21, 1997**

[54] **PICKUP TRUCK BED STABILIZER**

[76] Inventor: **William A. Bowen**, P.O. Box 215, Fort Gay, W. Va. 25514

[\*\*] Term: **14 Years**

[21] Appl. No.: **41,493**

[22] Filed: **Jul. 17, 1995**

[52] U.S. Cl. .... **D12/414**

[58] Field of Search ..... D12/114, 196, D12/414, 98, 96; D8/330, 331, 339; 280/754, 402; 248/354.1-354.4; 224/924, 535, 537; 296/24.1, 3, 26, 50; 410/96, 150, 101, 102, 106, 108, 139

4,772,165 9/1988 Bartkus ..... 410/150  
 4,889,378 12/1989 Sims ..... 296/57.1  
 5,011,349 4/1991 McAndrews ..... 410/102  
 5,117,532 6/1992 Holland ..... 296/50  
 5,154,470 10/1992 Bringman, Jr. .... 296/26  
 5,282,555 2/1994 Muir et al. .... 224/924

*Primary Examiner*—A. Hugo Word  
*Assistant Examiner*—M. Brown  
*Attorney, Agent, or Firm*—Harold H. Dutton, Jr.; W. Charles L. Jamison; Diane F. Liebman

### [57] CLAIM

The ornamental design for a pickup truck bed stabilizer, as shown.

### DESCRIPTION

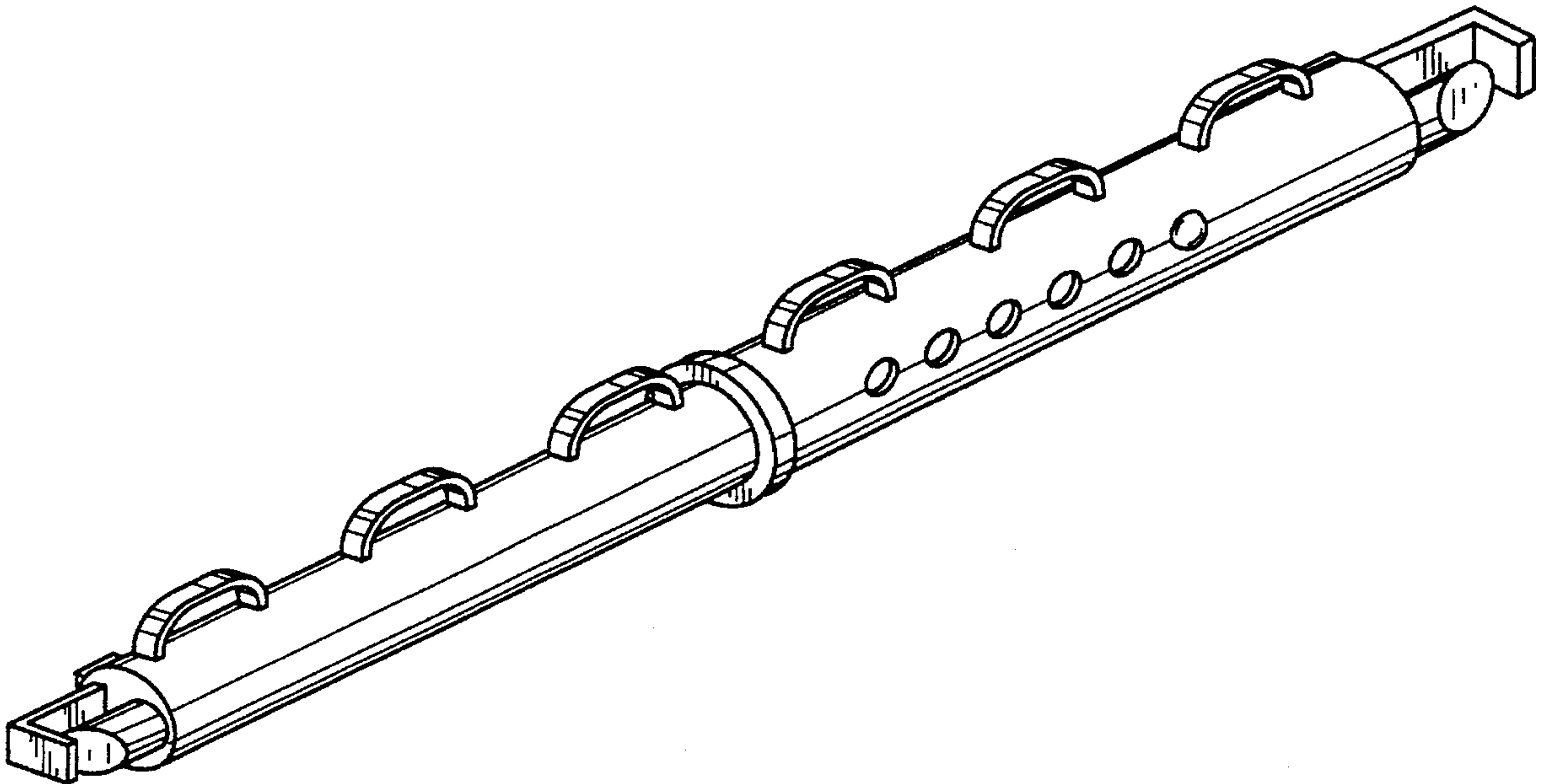
FIG. 1 is a perspective view of a pickup truck bed stabilizer showing my new design;  
 FIG. 2 is a front view thereof;  
 FIG. 3 is a top view thereof;  
 FIG. 4 is a bottom view thereof;  
 FIG. 5 is a left end view thereof; and,  
 FIG. 6 is a right end view thereof.

**1 Claim, 3 Drawing Sheets**

### [56] References Cited

#### U.S. PATENT DOCUMENTS

D. 300,734 4/1989 Kruitbosch ..... D12/414  
 D. 306,003 2/1990 Berkan, Jr. .... D12/414  
 D. 324,664 3/1992 Burnette ..... D12/114  
 D. 348,421 7/1994 Dexter ..... D12/98  
 4,717,298 1/1988 Bott ..... 410/129  
 4,750,777 6/1988 Brammer ..... 296/50



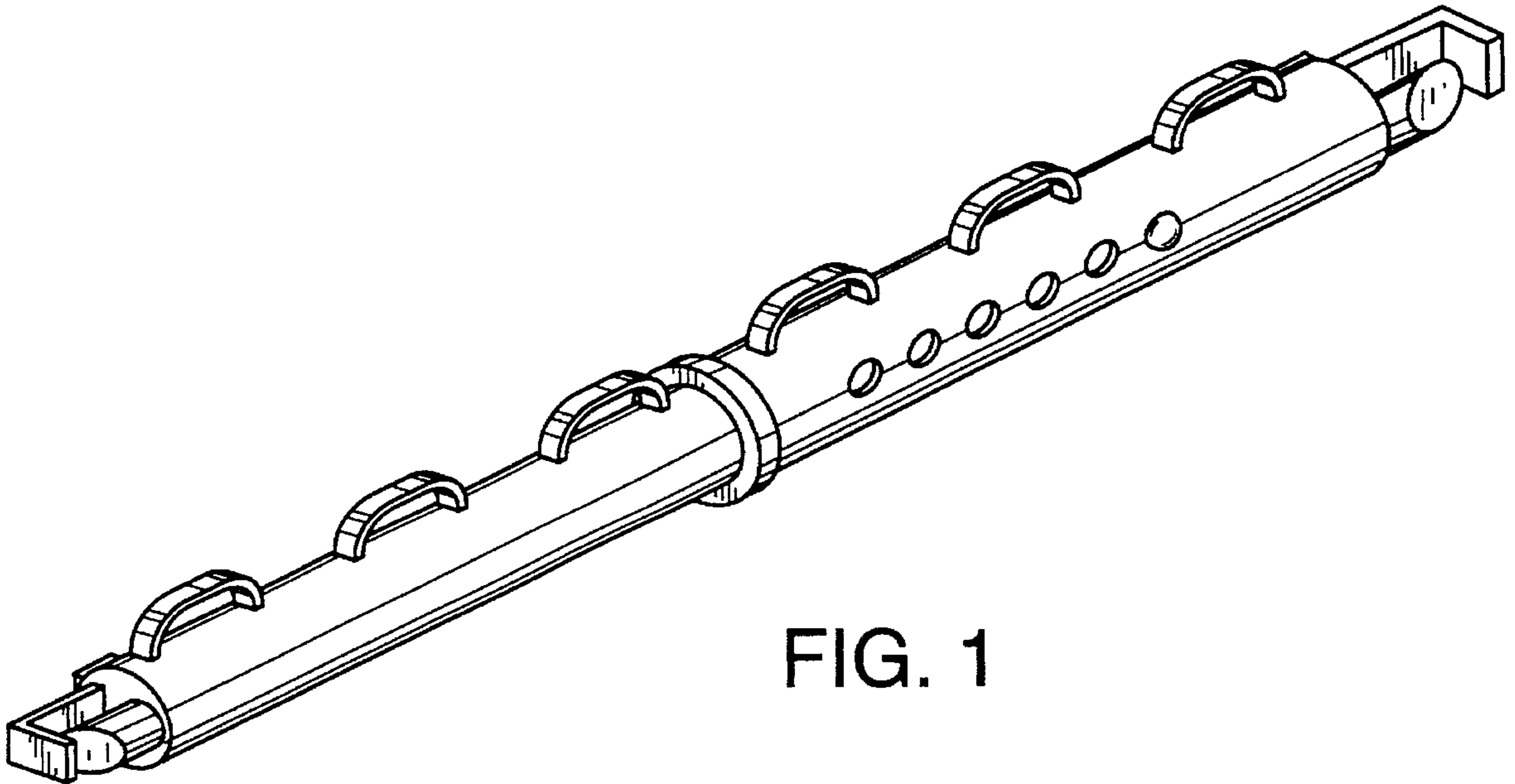


FIG. 1

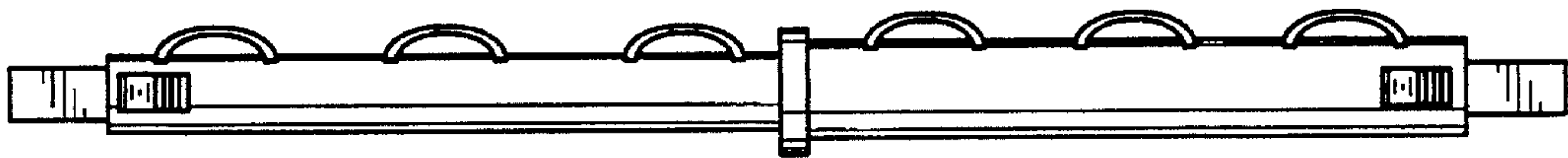


FIG. 2

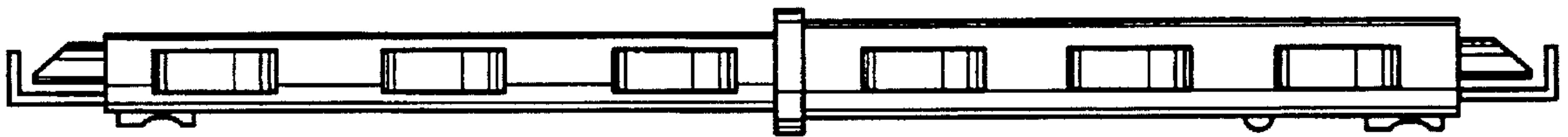


FIG. 3



FIG. 4

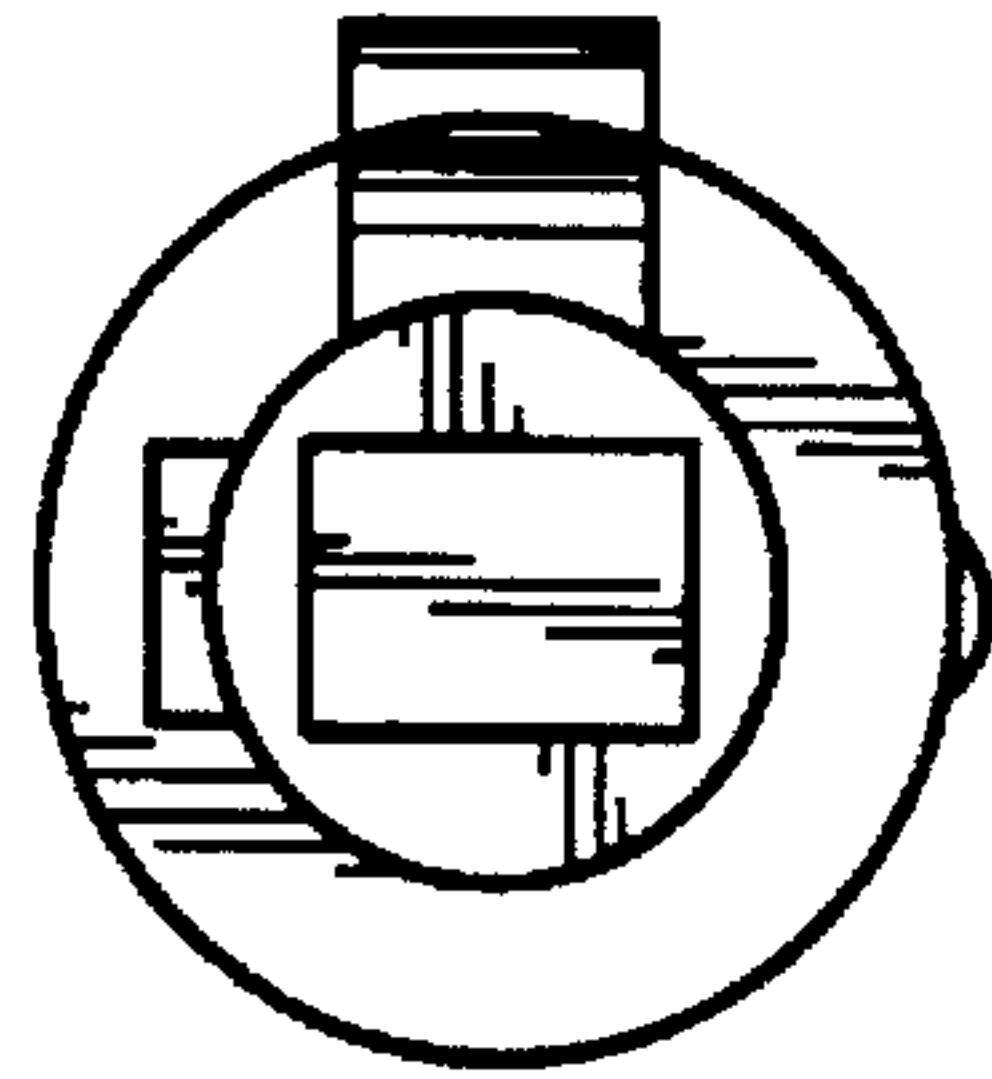


FIG. 5

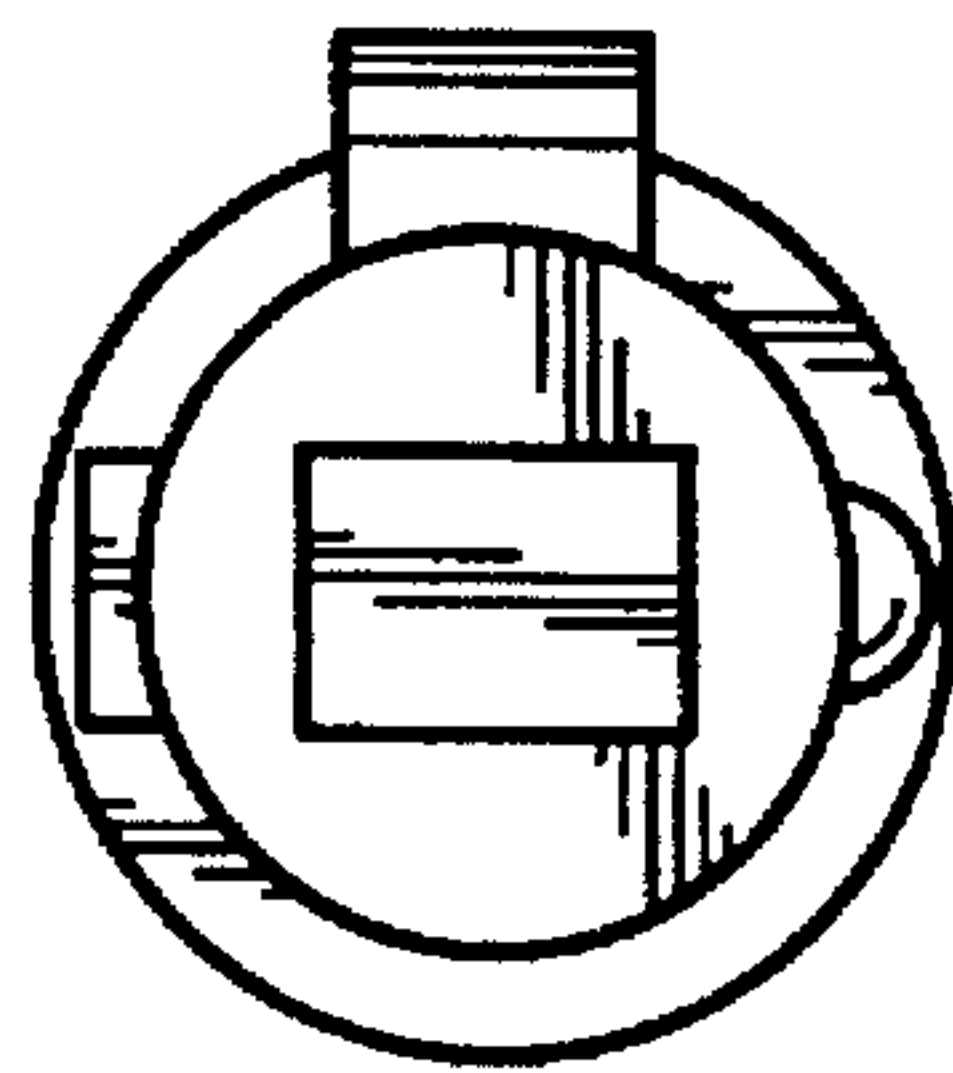


FIG. 6