



US00D377473S

# United States Patent [19]

[11] **Patent Number: Des. 377,473**

**Niemier**

[45] **Date of Patent: \*\*Jan. 21, 1997**

[54] **WATER CRAFT**

[57] **CLAIM**

[76] Inventor: **Timothy A. Niemier**, 1540 Wall St.,  
Bellingham, Wash. 98226

The ornamental design for a water craft, as shown and described.

[\*\*] Term: **14 Years**

### DESCRIPTION

[21] Appl. No.: **20,506**

FIG. 1 is a top perspective view of a water craft showing my new design;

[22] Filed: **Mar. 25, 1994**

FIG. 2 is a bottom perspective view thereof;

### Related U.S. Application Data

FIG. 3 is a top plan view thereof;

[63] Continuation-in-part of Ser. No. 11,308, Aug. 2, 1993.

FIG. 4 is a side elevational view thereof, the opposite side view being a mirror image of that shown;

[52] **U.S. Cl.** ..... **D12/302**

FIG. 5 is a bottom plan view thereof;

[58] **Field of Search** ..... D12/300, 302;  
114/347, 354, 355

FIG. 6 is an end view thereof, the opposite end view being a mirror image of that shown;

### [56] References Cited

FIG. 7 is a top perspective view of a second embodiment of the water craft;

#### U.S. PATENT DOCUMENTS

FIG. 8 is a bottom perspective view of FIG. 7;

D. 317,748	6/1991	Arcouette	.....	D12/302
D. 352,689	11/1994	Niemier	.....	D12/302
4,106,143	8/1978	Lucas	.	
4,407,216	10/1983	Masters	.	
4,520,747	6/1985	Masters	.	
4,589,365	5/1986	Masters	.	
4,660,490	4/1987	Broadhurst	.	
4,710,143	12/1987	Boulanger	.	
4,744,327	5/1988	Masters	.	
5,076,194	12/1991	Curtis et al.	.	
5,094,607	3/1992	Masters	.	
5,189,974	3/1993	Masters	.	

FIG. 9 is a top plan view of FIG. 7;

FIG. 10 is a side elevational view of FIG. 7, the opposite side view being a mirror image of that shown;

FIG. 11 is a bottom plan view of FIG. 7;

FIG. 12 is a right end view of FIG. 7;

FIG. 13 is a left end view of FIG. 7;

FIG. 14 is a top perspective view of a third embodiment of the water craft;

#### FOREIGN PATENT DOCUMENTS

2673416A1	9/1992	France	.	
424910	2/1926	Germany	.	
2172553	9/1986	United Kingdom	.	

FIG. 15 is a bottom perspective view of FIG. 14;

FIG. 16 is a top plan view of FIG. 14;

FIG. 17 is a side elevational view of FIG. 14, the opposite side view being a mirror image of that shown;

FIG. 18 is a bottom plan view of FIG. 14;

FIG. 19 is a left end view of FIG. 14; and,

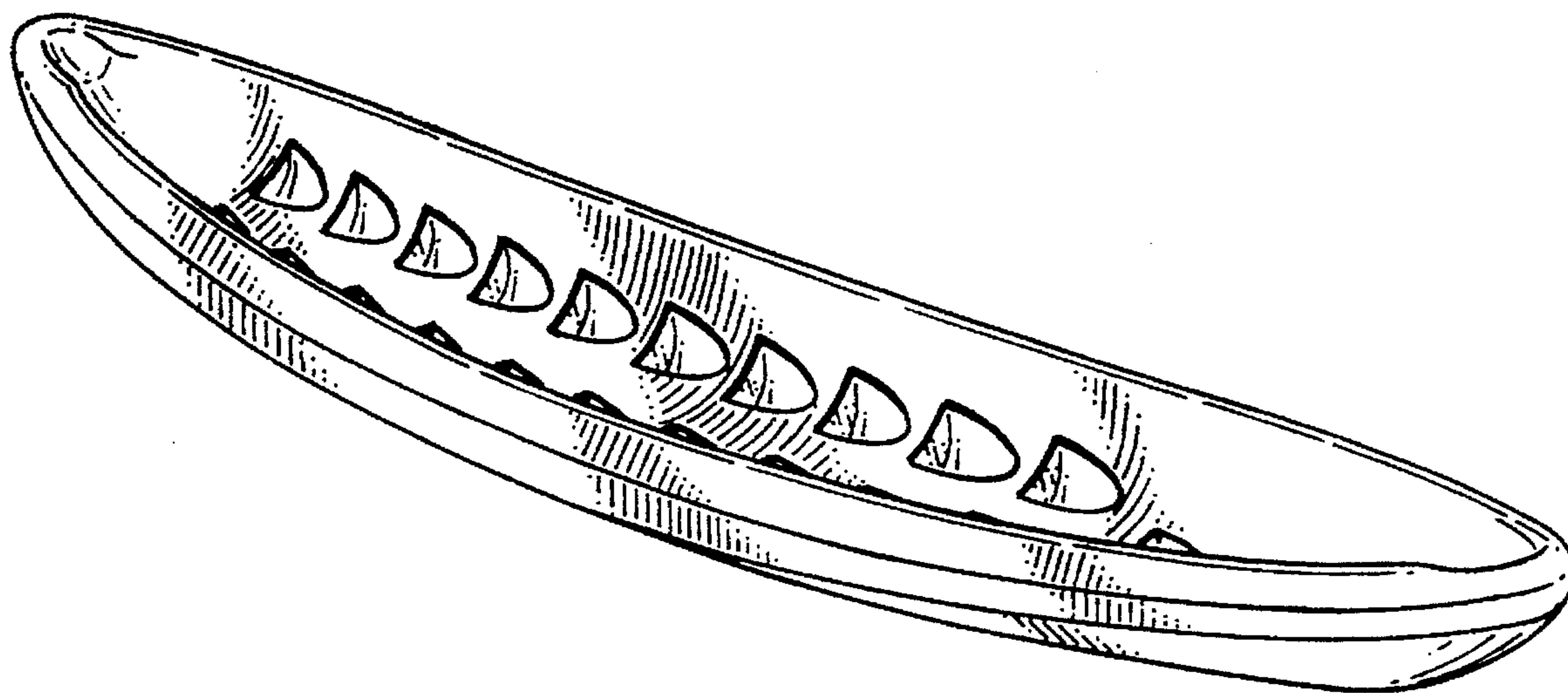
FIG. 20 is a right end view of FIG. 14.

#### OTHER PUBLICATIONS

Paddler, Selected pages from Jul. 1992 Issue.

Primary Examiner—Kay H. Chin

1 Claim, 6 Drawing Sheets



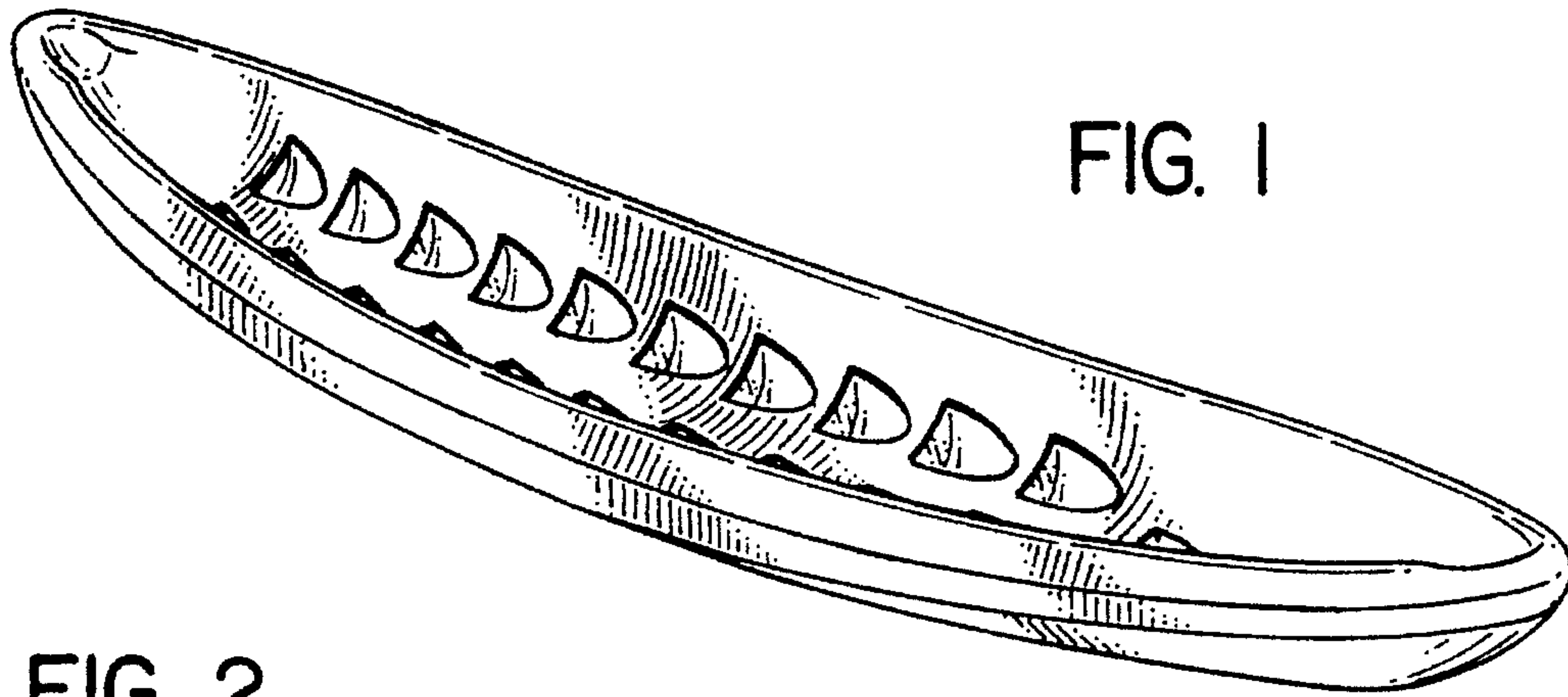


FIG. 1

FIG. 2

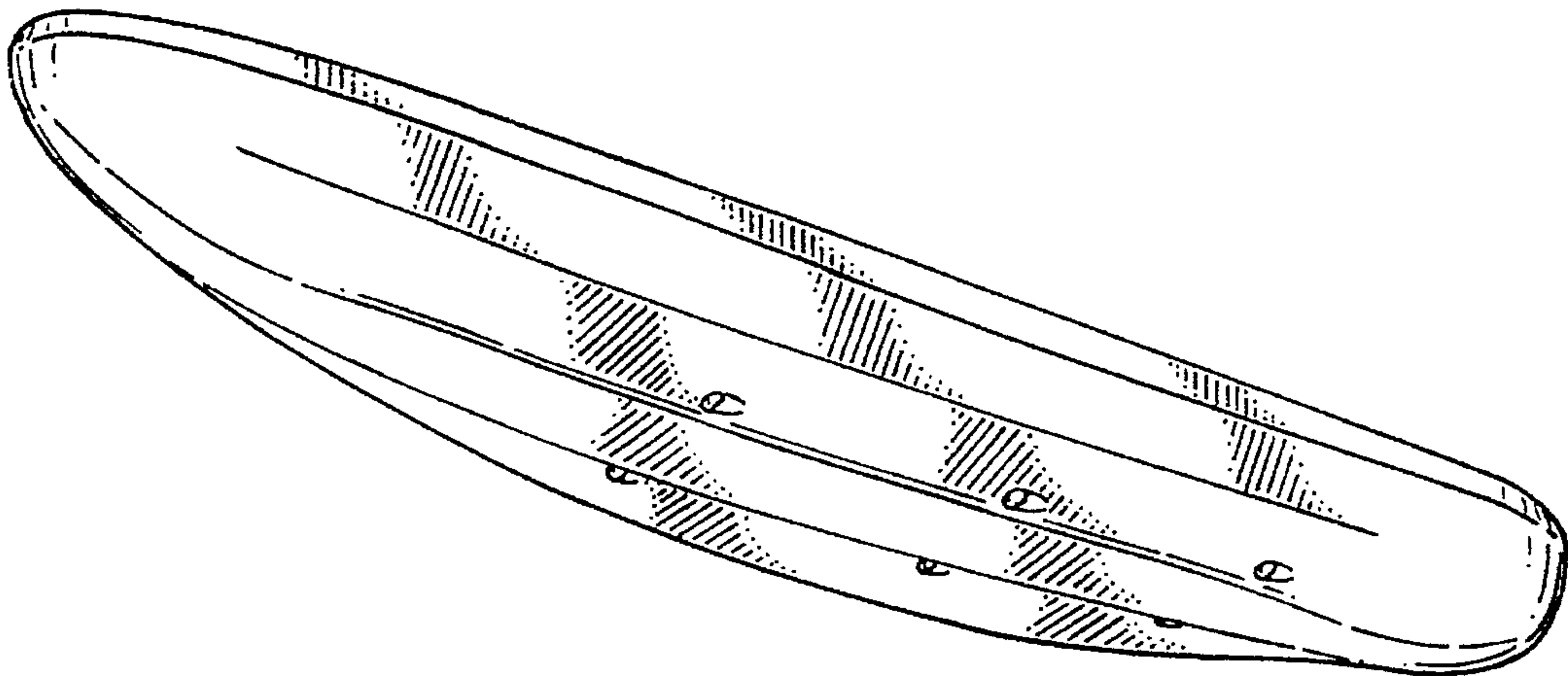


FIG. 3

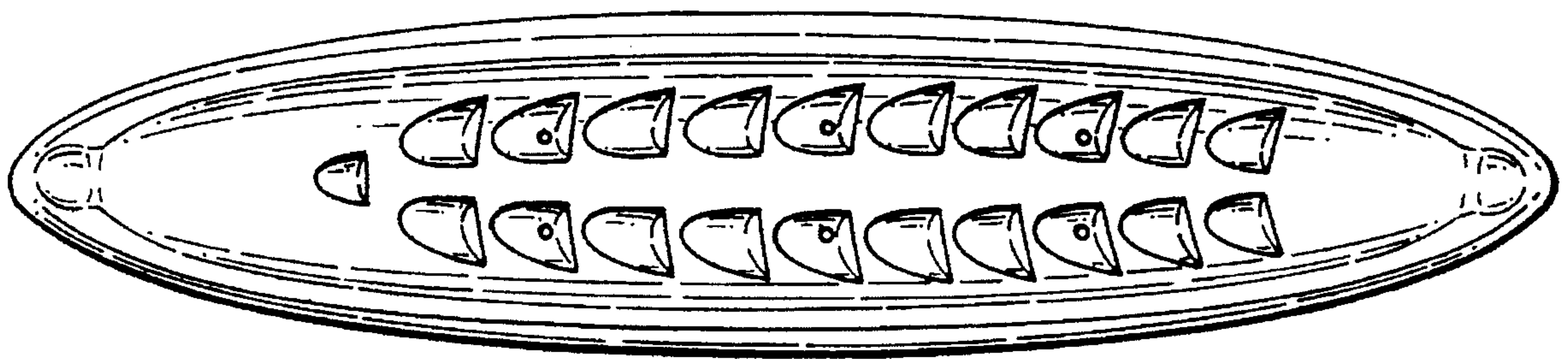


FIG. 4

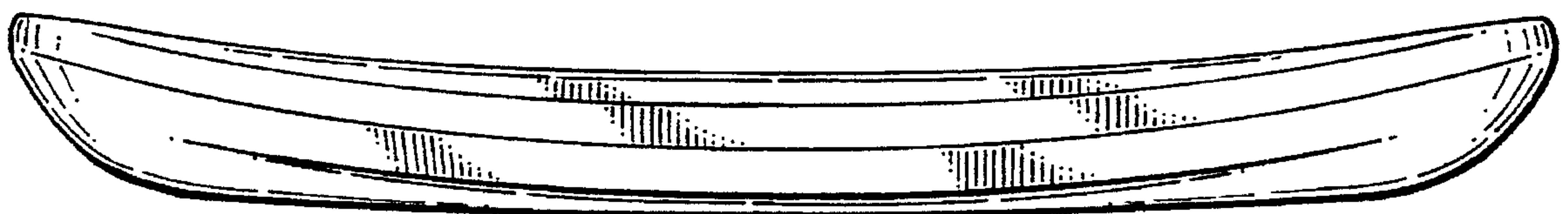


FIG. 5

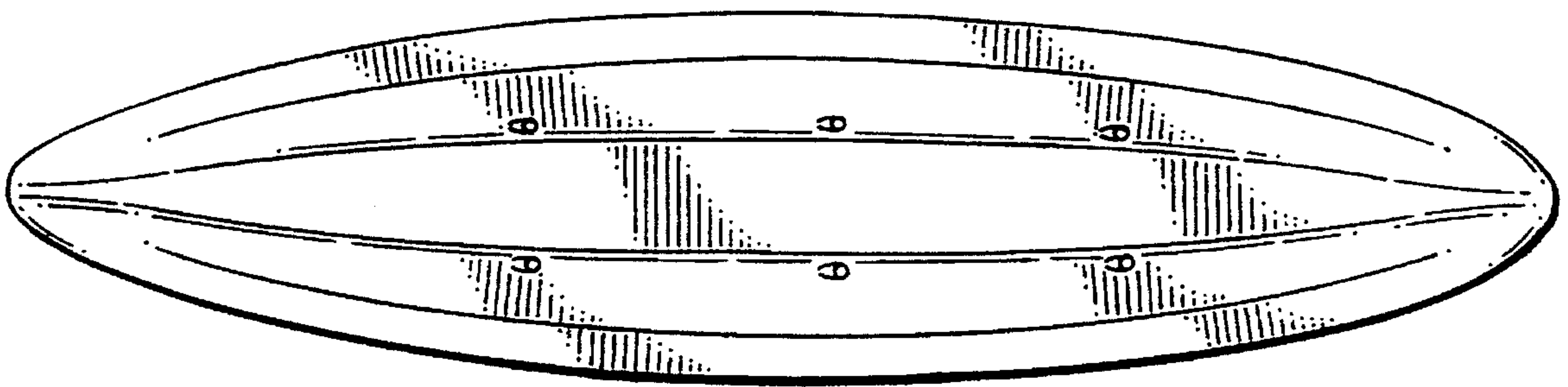
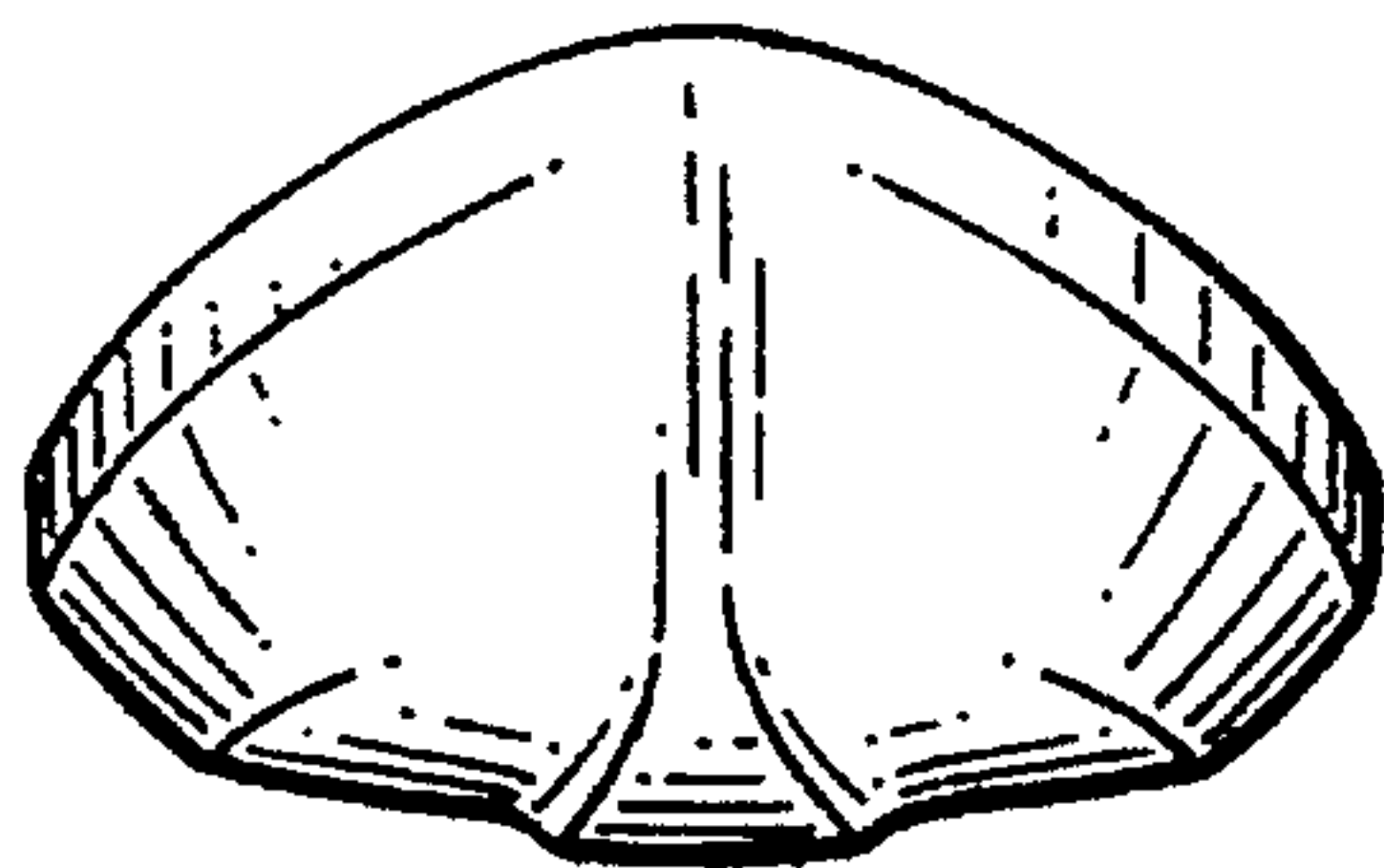


FIG. 6





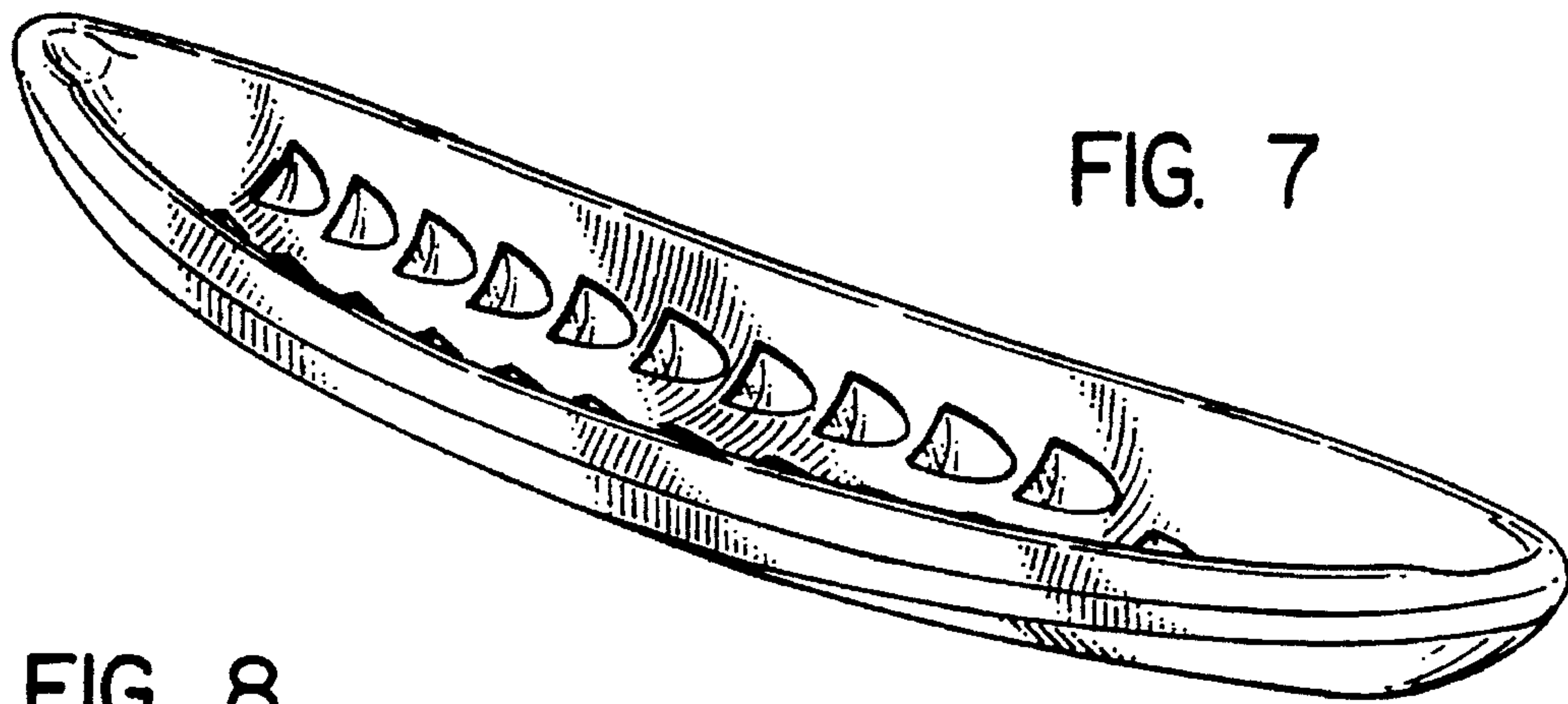


FIG. 7

FIG. 8

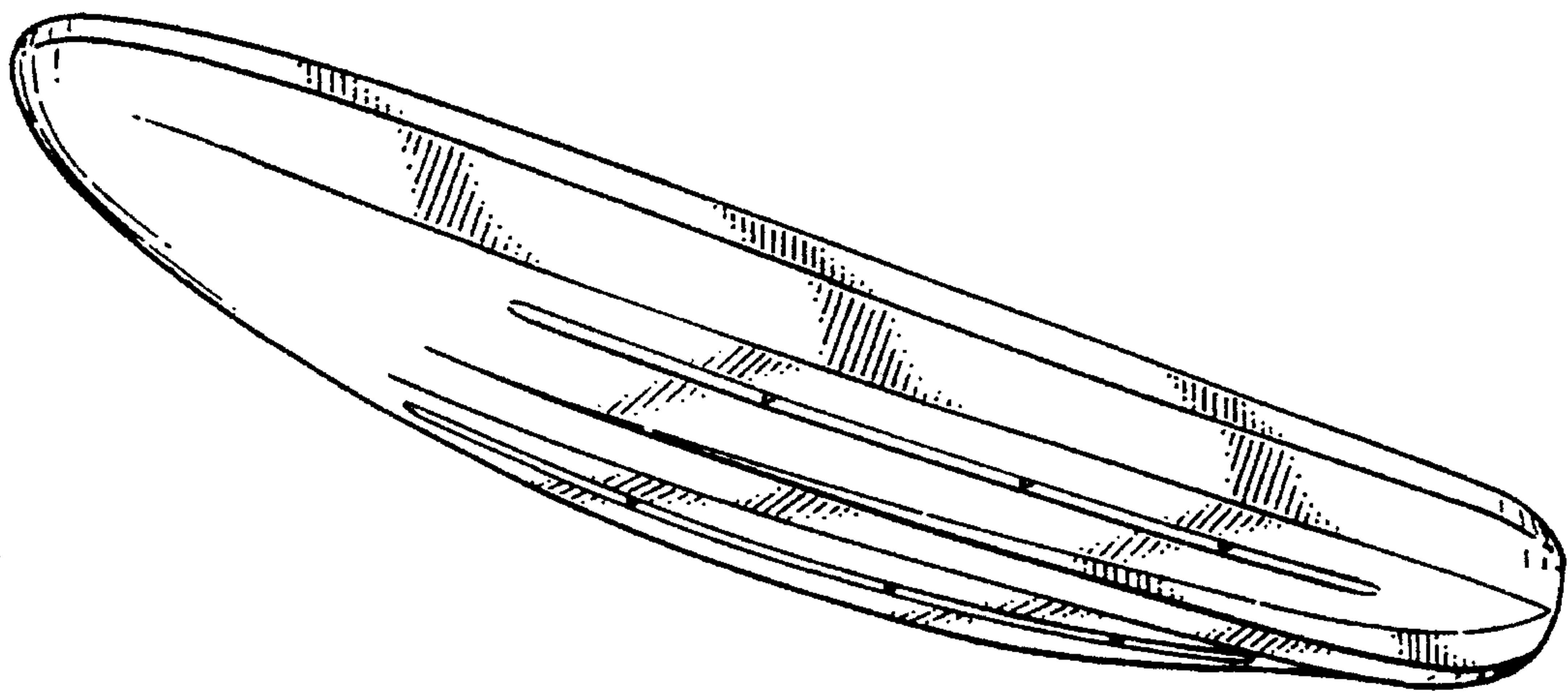


FIG. 9

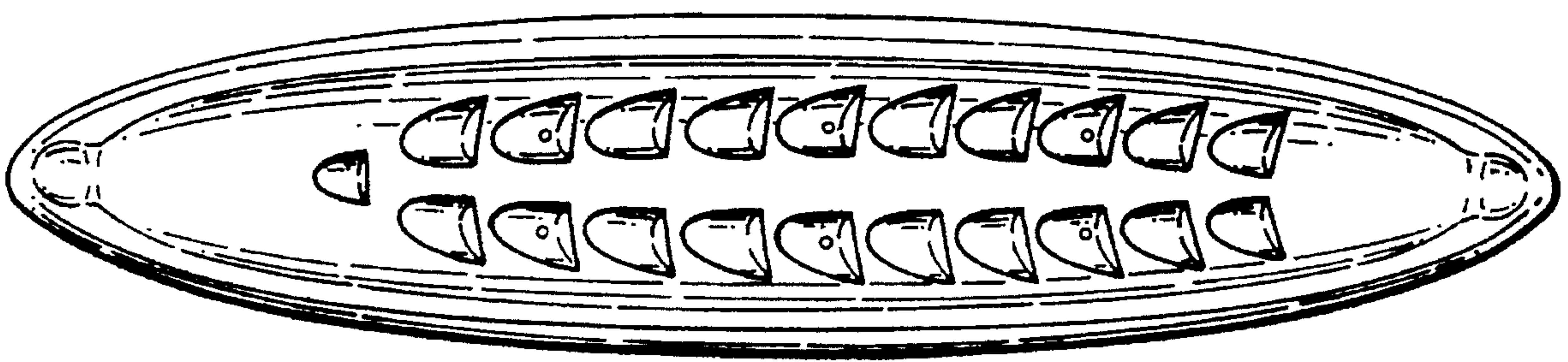


FIG. 10

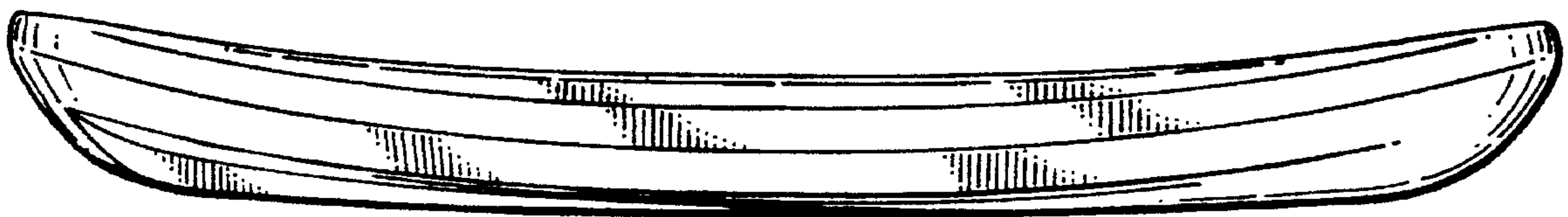


FIG. 11

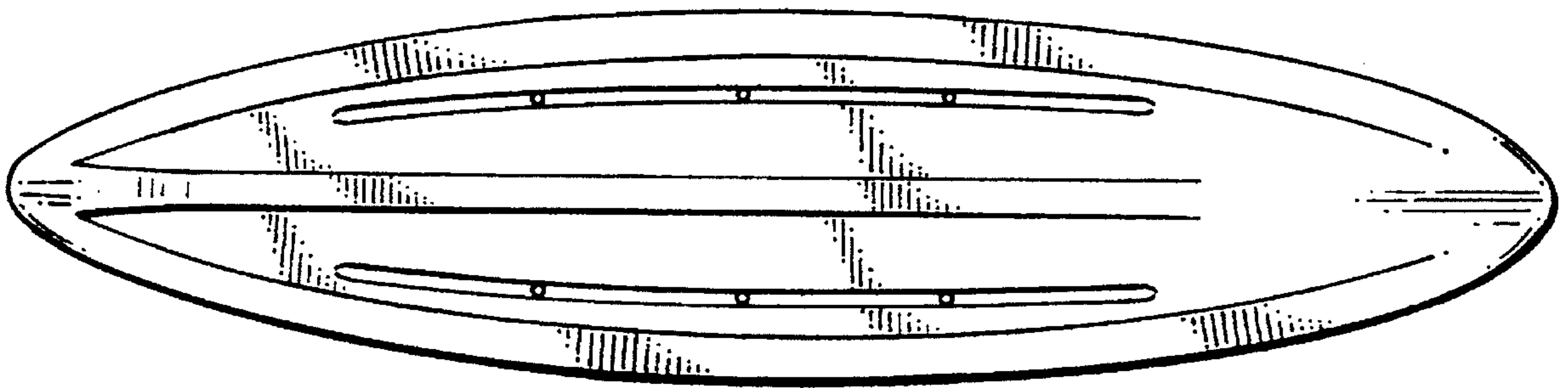


FIG. 12

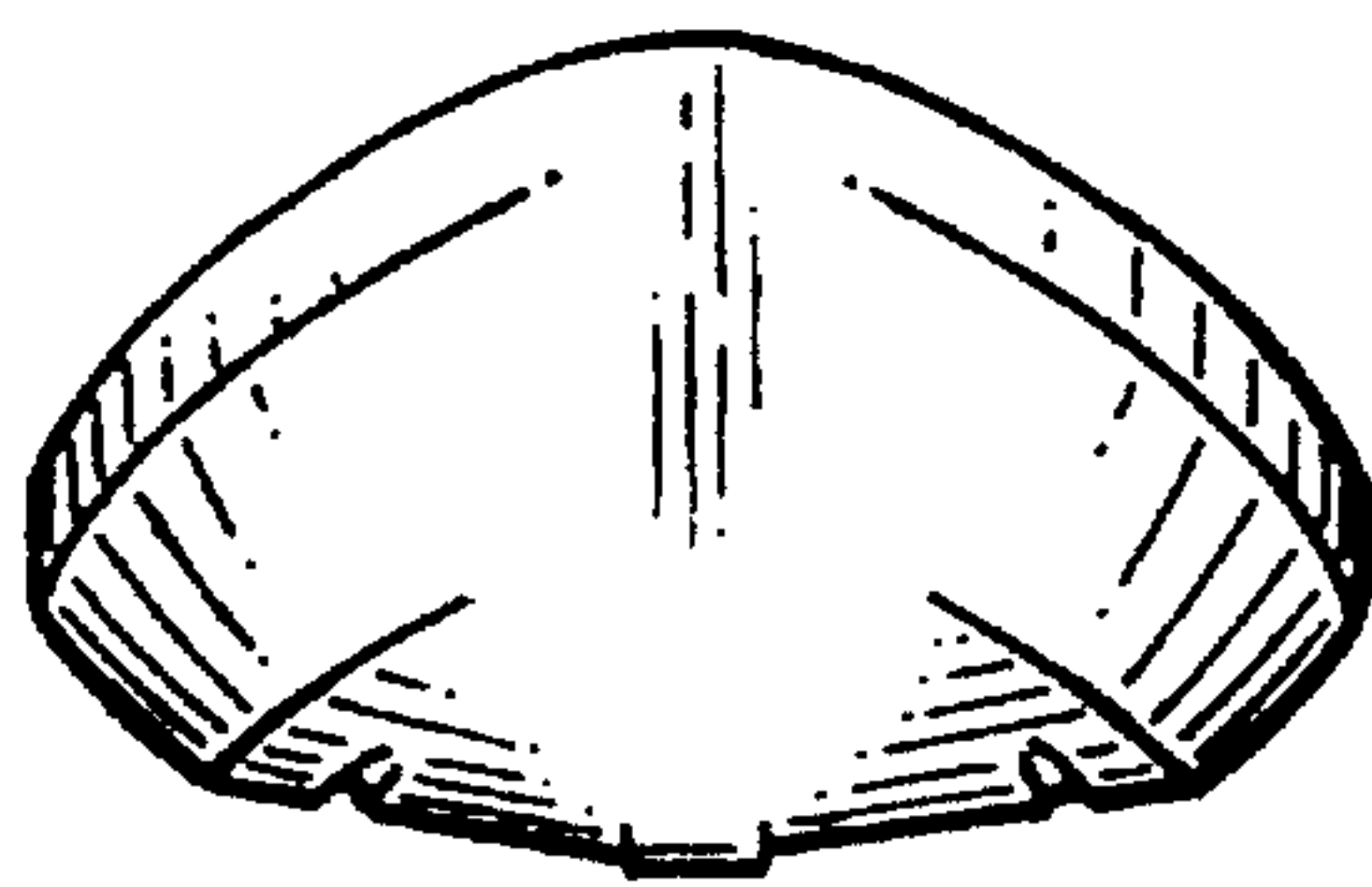


FIG. 13

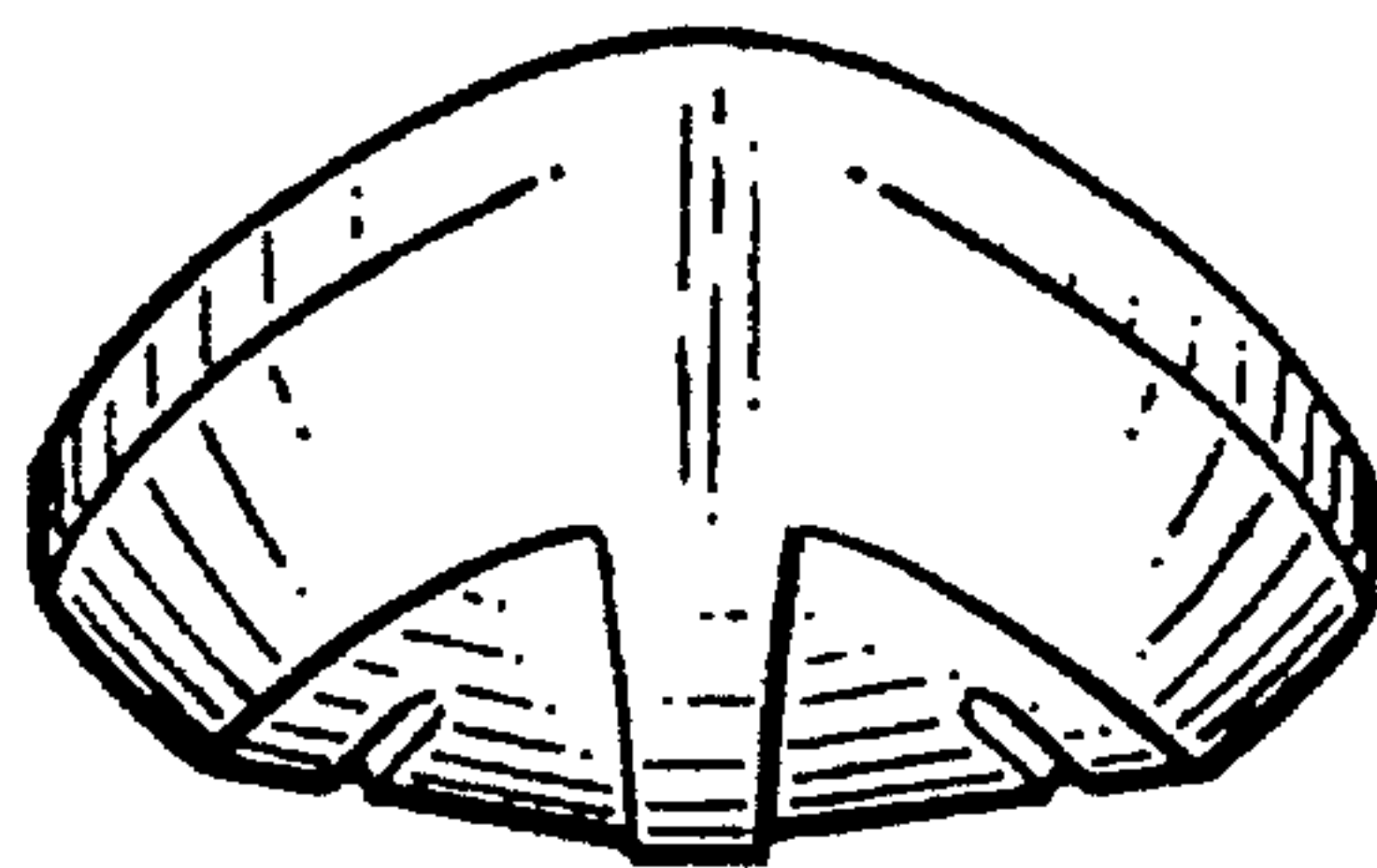


FIG. 14

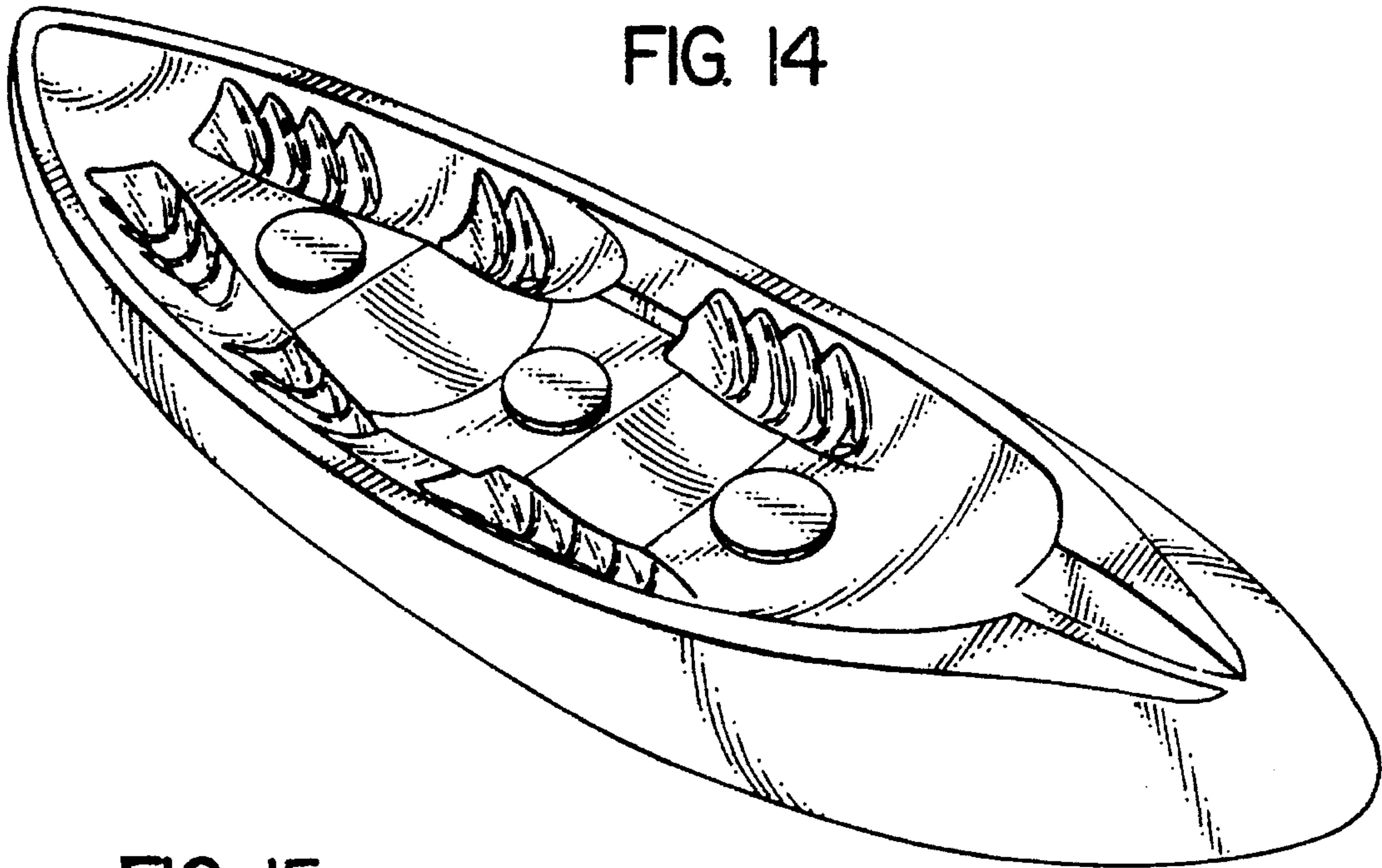


FIG. 15

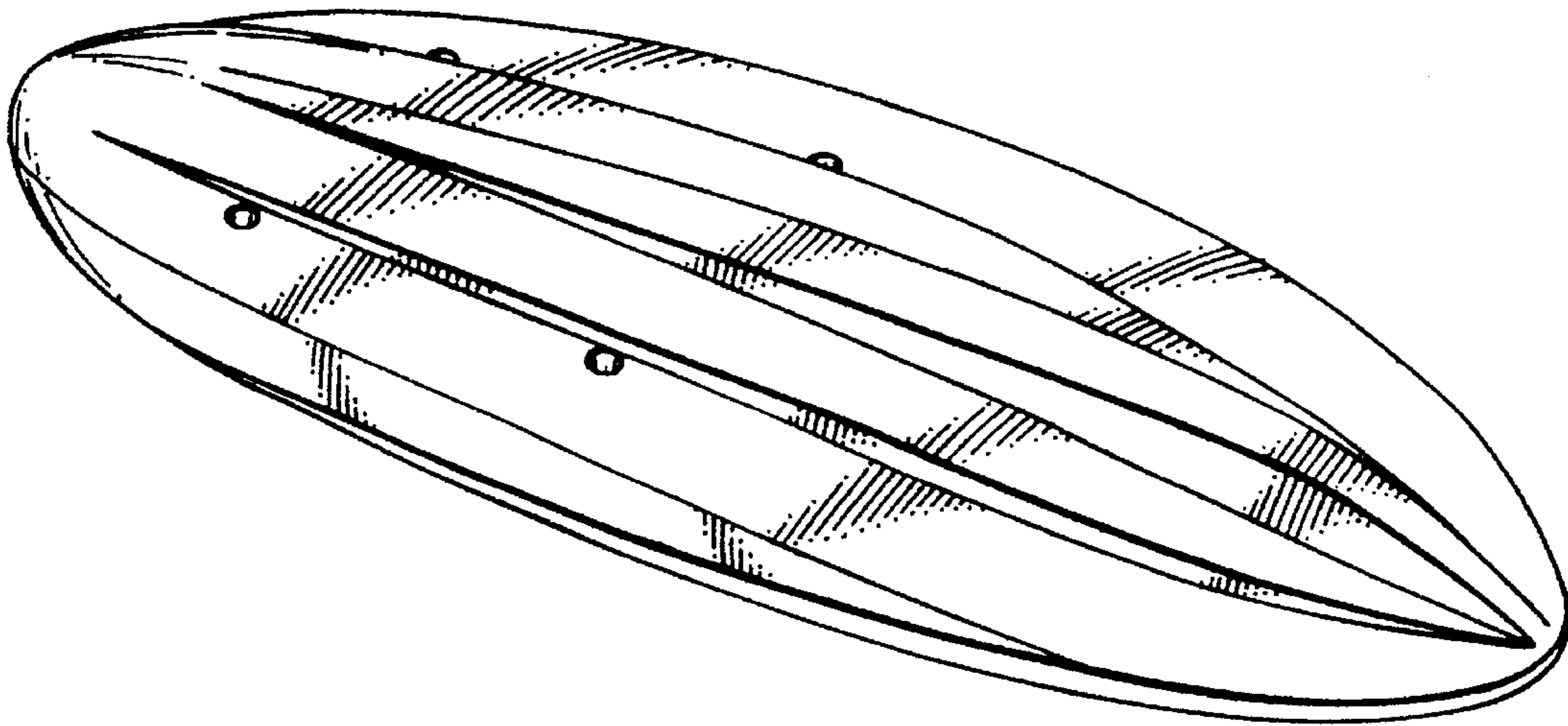


FIG. 16

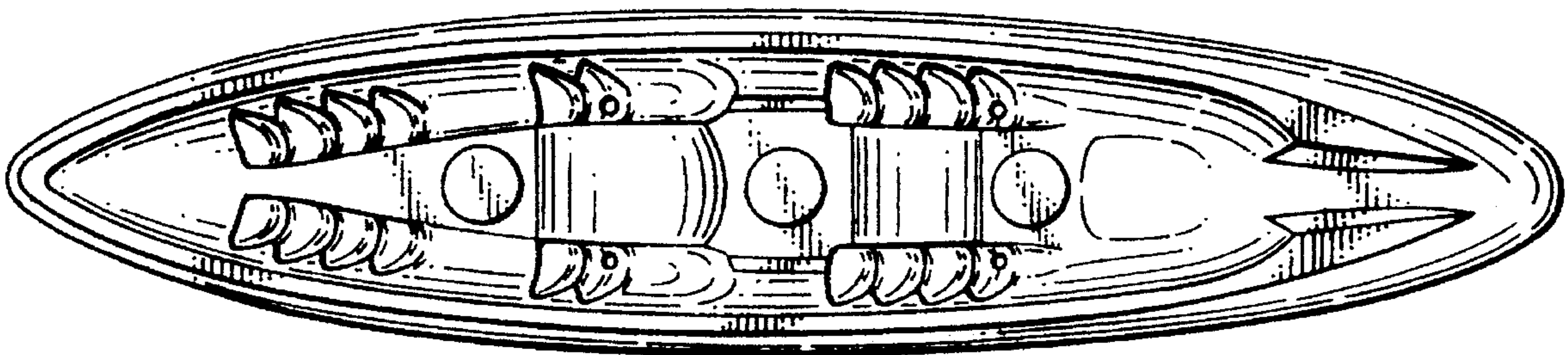




FIG. 17

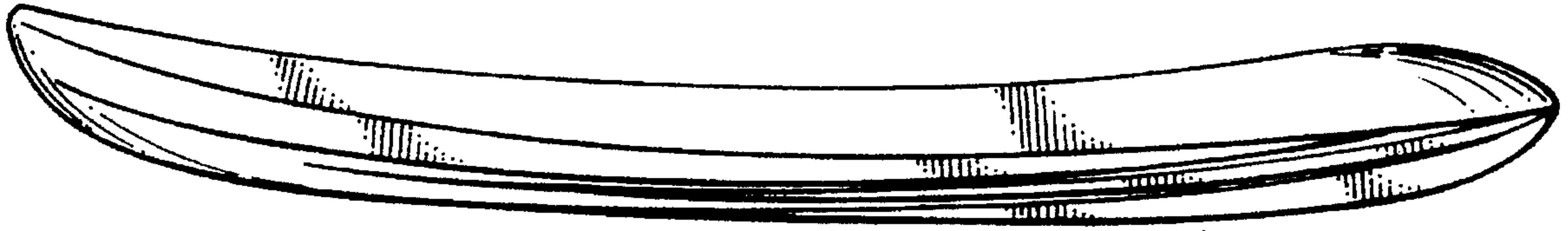


FIG. 18

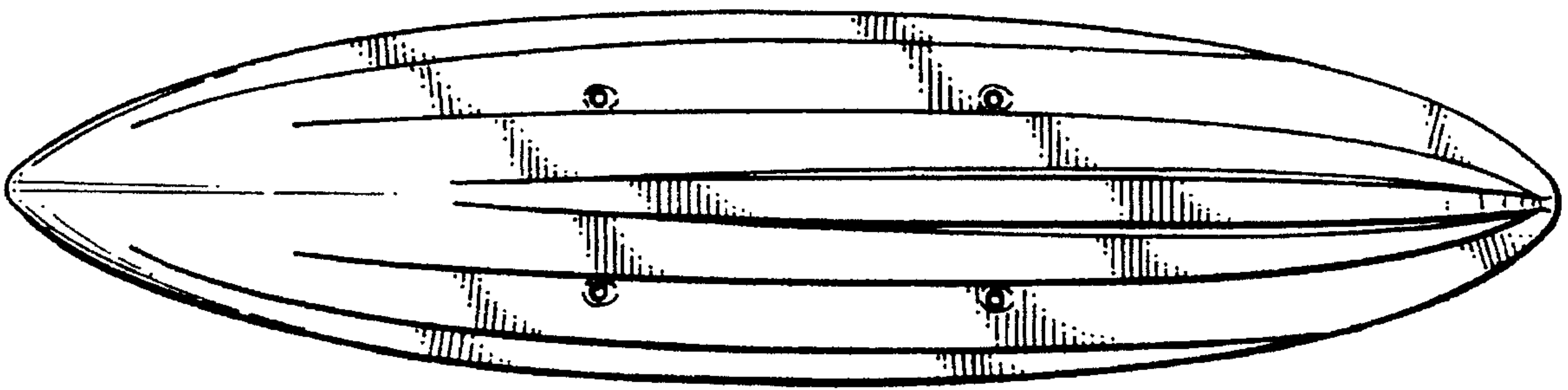


FIG. 19

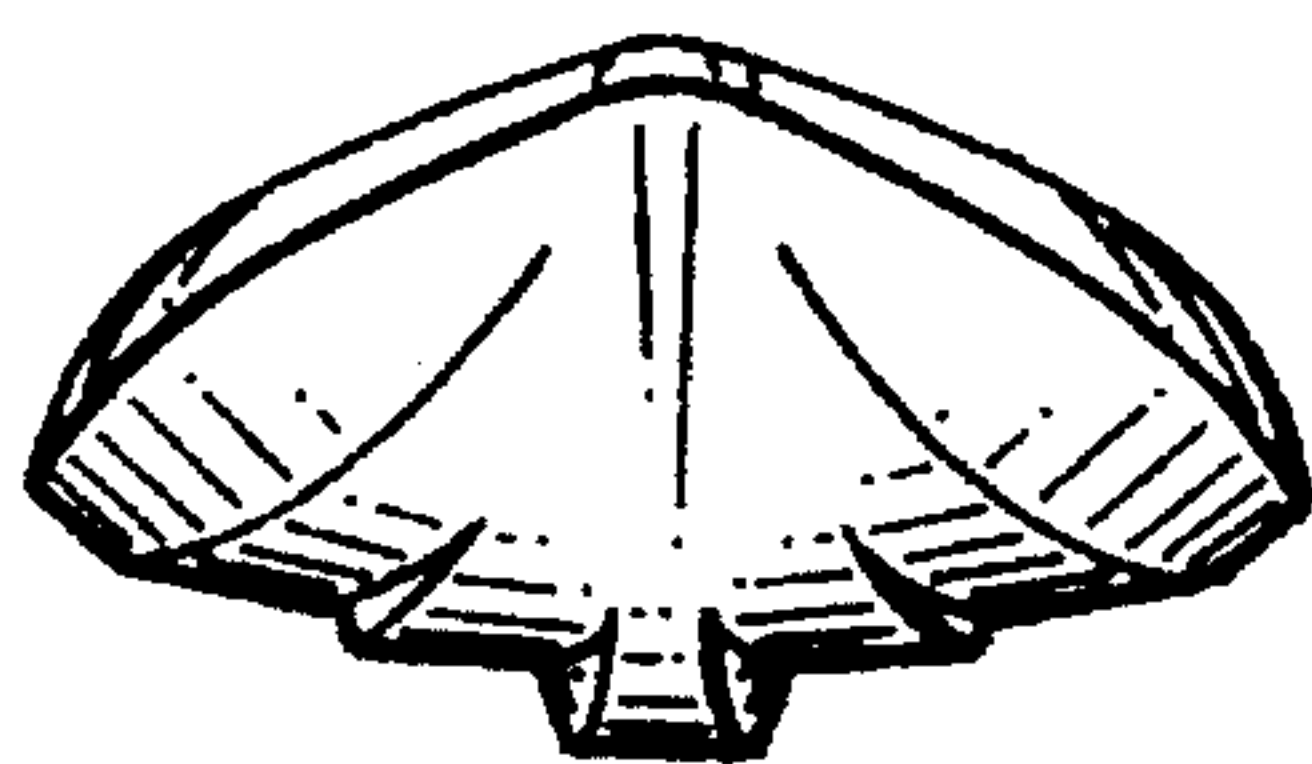


FIG. 20

