



US00D377470S

United States Patent [19]

[11] **Patent Number: Des. 377,470**

Santangelo

[45] **Date of Patent: **Jan. 21, 1997**

[54] **SPARE TIRE MOUNTING DRAWER**

4,884,729 12/1989 Zarkouskie 224/42.21
4,964,552 10/1990 Terwillinger 224/42.23

[76] Inventor: **Joel Santangelo**, 69 Hillcrest Dr.,
Greenville, N.H. 03048

Primary Examiner—A. Hugo Word
Assistant Examiner—M. Brown
Attorney, Agent, or Firm—Harold H. Dutton, Jr.; W. Charles
L. Jamison; Diane F. Liebman

[**] Term: **14 Years**

[21] Appl. No.: **44,783**

[57] **CLAIM**

[22] Filed: **Sep. 29, 1995**

The ornamental design for a spare tire mounting drawer, as shown and described.

[52] **U.S. Cl.** **D12/202**

[58] **Field of Search** D12/202; 224/42.21,
224/42.23, 491, 496, 510, 518, 524, 536;
293/117; 414/466

DESCRIPTION

[56] **References Cited**

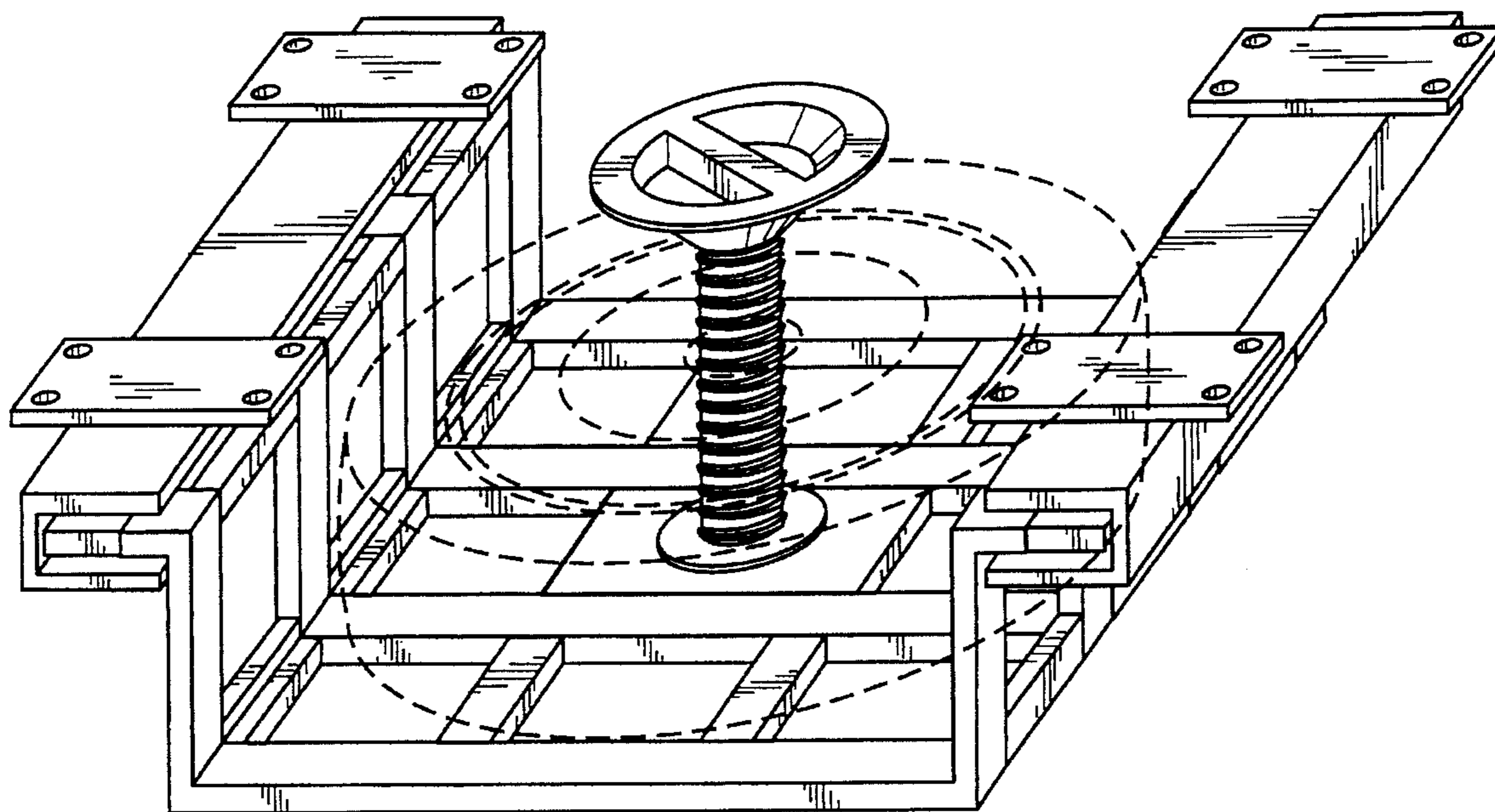
FIG. 1 is a top perspective view of a spare tire mounting drawer showing my new design;
FIG. 2 is a front elevational view thereof;
FIG. 3 is a top view thereof;
FIG. 4 is a right side view thereof;
FIG. 5 is a left side view thereof; and,
FIG. 6 is a bottom view thereof.

U.S. PATENT DOCUMENTS

D. 236,173	9/1975	Wertjes	D12/202
3,330,431	7/1967	Knecht	414/466
3,554,415	1/1971	Woods	224/491
3,862,696	1/1975	McCauley et al.	D12/202
4,093,088	6/1978	Hildebrandt et al.	224/42.21 X
4,676,415	6/1987	Kennedy	224/42.21 X
4,805,817	2/1989	Helterbrand	224/42.23
4,834,273	5/1989	Cimino	224/42.21

The broken lines showing a tire in FIG. 1 are for illustrative purposes only and forms no part of the claimed design.

1 Claim, 5 Drawing Sheets



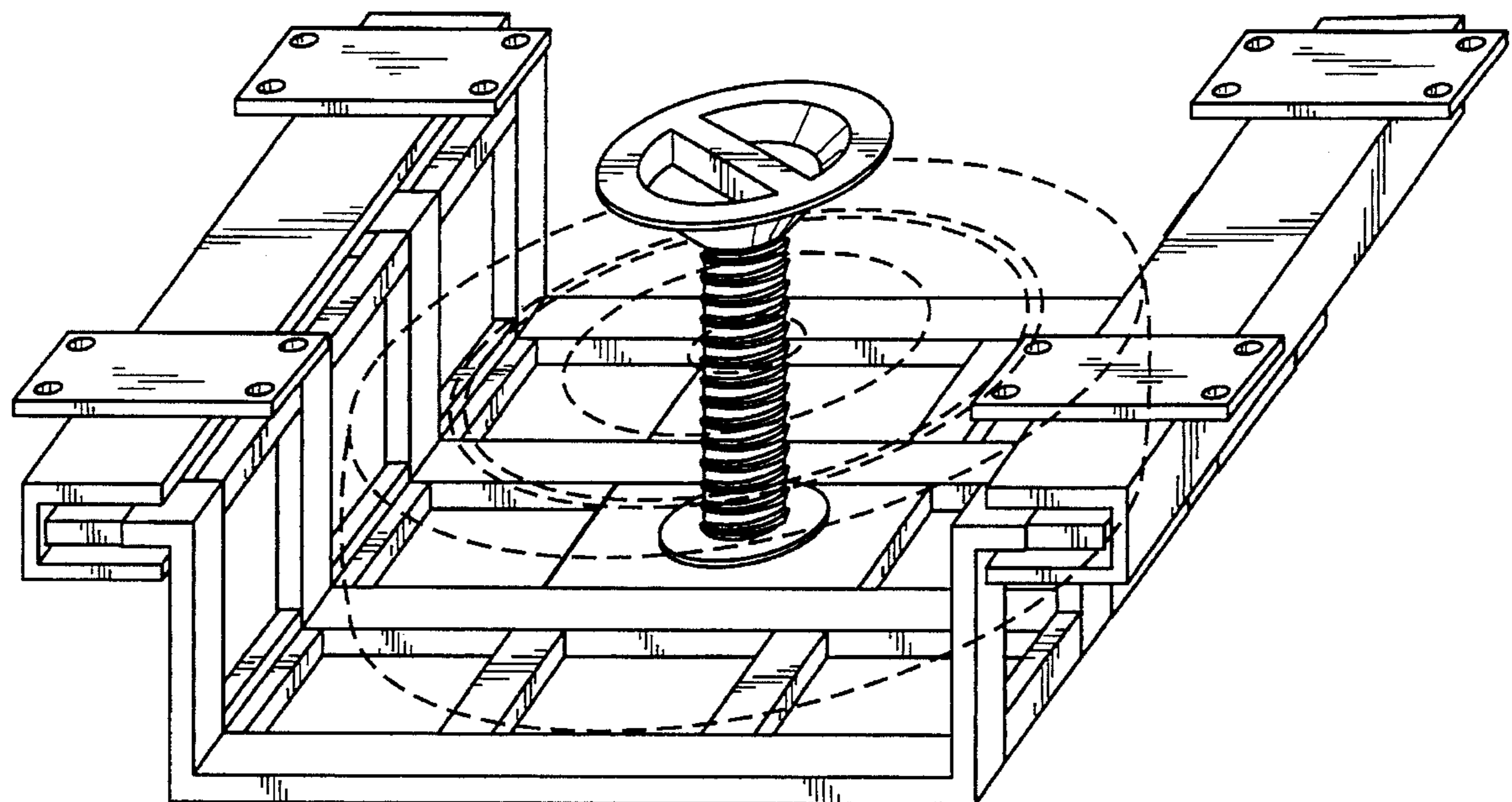


FIG. 1

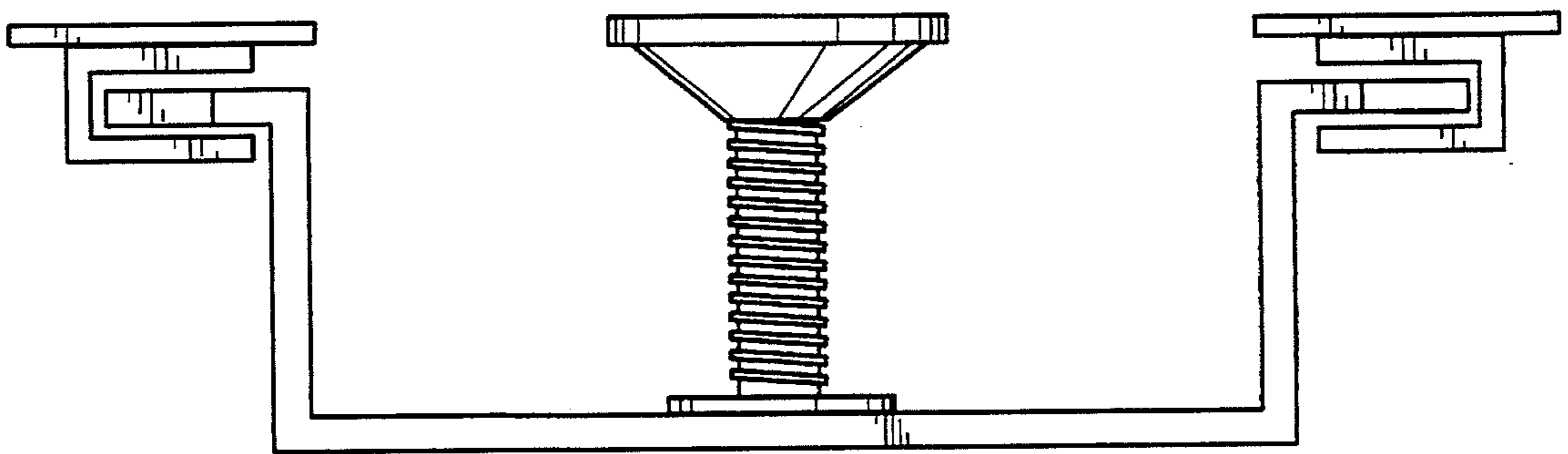
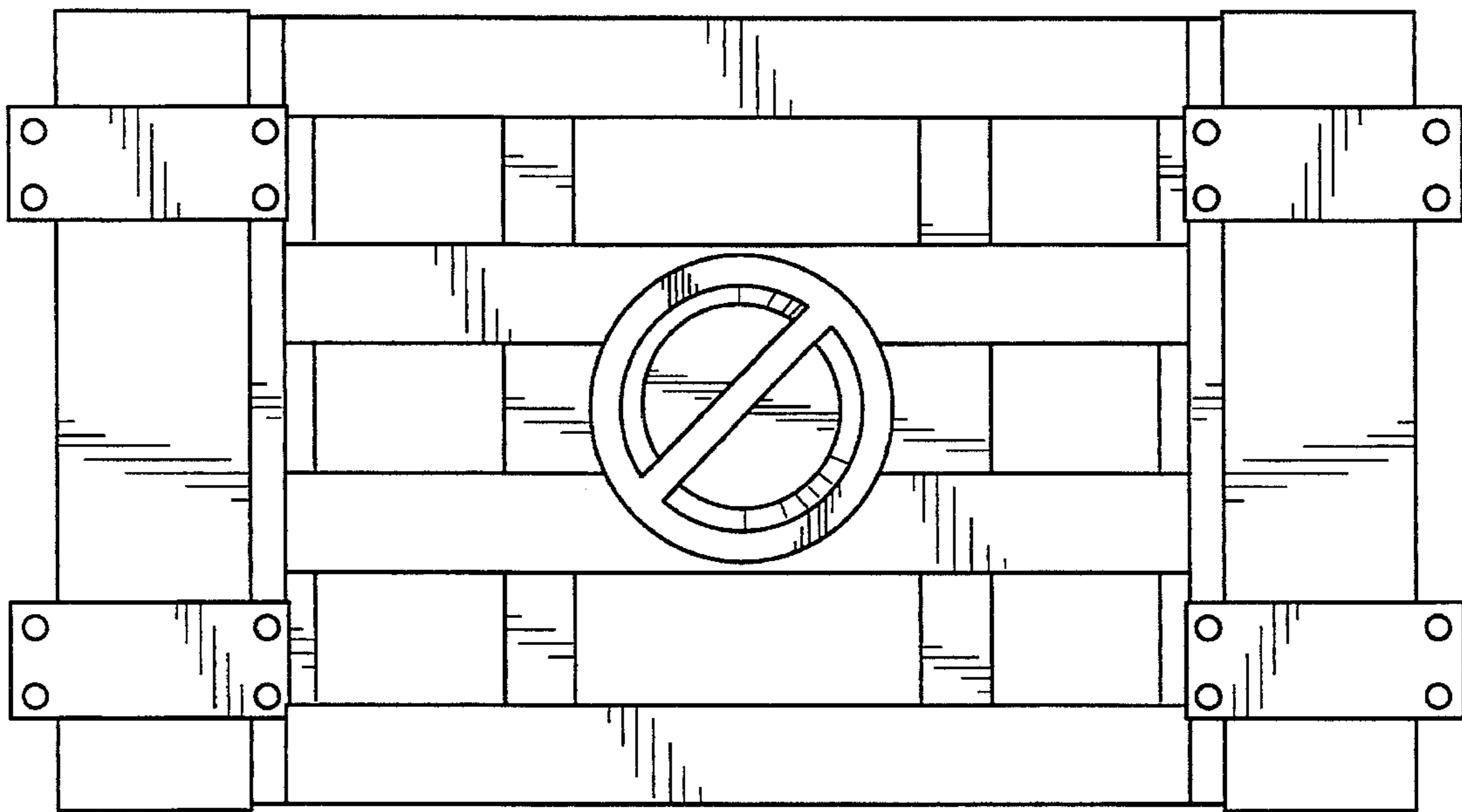


FIG. 2

FIG. 3



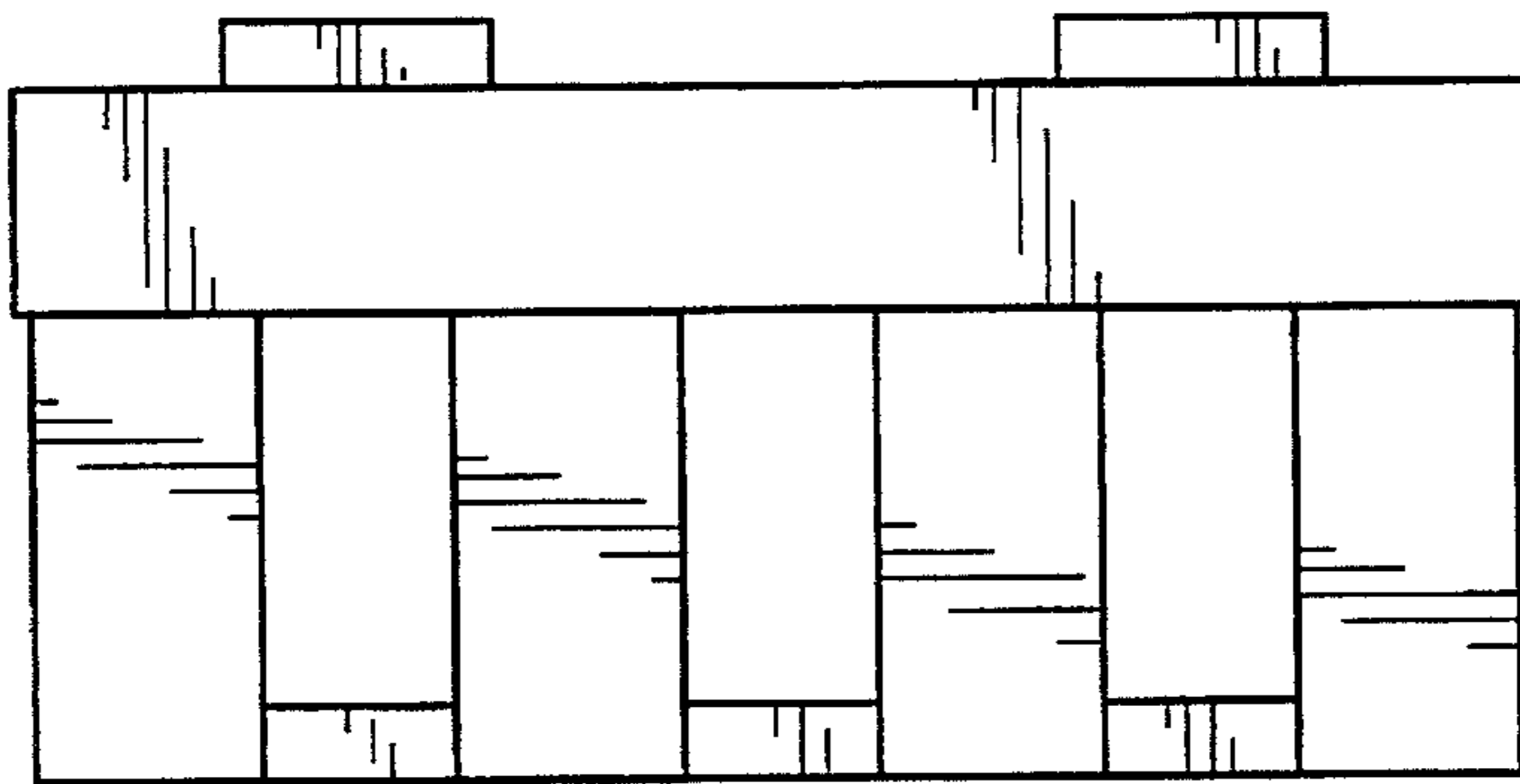


FIG. 4



FIG. 5

FIG. 6

