



US00D377466S

United States Patent [19]

Baesa

[11] Patent Number: **Des. 377,466**

[45] Date of Patent: ****Jan. 21, 1997**

[54] **STROLLER/SWING COMBINATION**

[76] Inventor: **Michael Baesa**, 5521 Greenville Ave., Suite 104-863, Dallas, Tex. 75206

[**] Term: **14 Years**

[21] Appl. No.: **41,491**

[22] Filed: **Jul. 17, 1995**

[52] U.S. Cl. **D12/129; D21/246**

[58] Field of Search **D12/128, 129; D21/246; D6/333, 347; 280/643, 30, 31**

[56] **References Cited**

U.S. PATENT DOCUMENTS

| | | | | |
|-----------|---------|---------------|-------|---------|
| 2,967,059 | 1/1961 | Goldberg | | 280/31 |
| 4,679,804 | 7/1987 | Johnson | | 280/643 |
| 5,376,053 | 12/1994 | Ponder et al. | | 472/119 |

Primary Examiner—Kay H. Chin
Attorney, Agent, or Firm—Harold H. Dutton, Jr.; W. Charles L. Jamison; Diane F. Liebman

[57] **CLAIM**

The ornamental design for a stroller/swing combination, as shown.

DESCRIPTION

FIG. 1 is a perspective view of a stroller/swing combination showing my new design;
FIG. 2 is a right side view thereof;
FIG. 3 is a left side view thereof;
FIG. 4 is a front view thereof; and,
FIG. 5 is a rear view thereof.

1 Claim, 3 Drawing Sheets

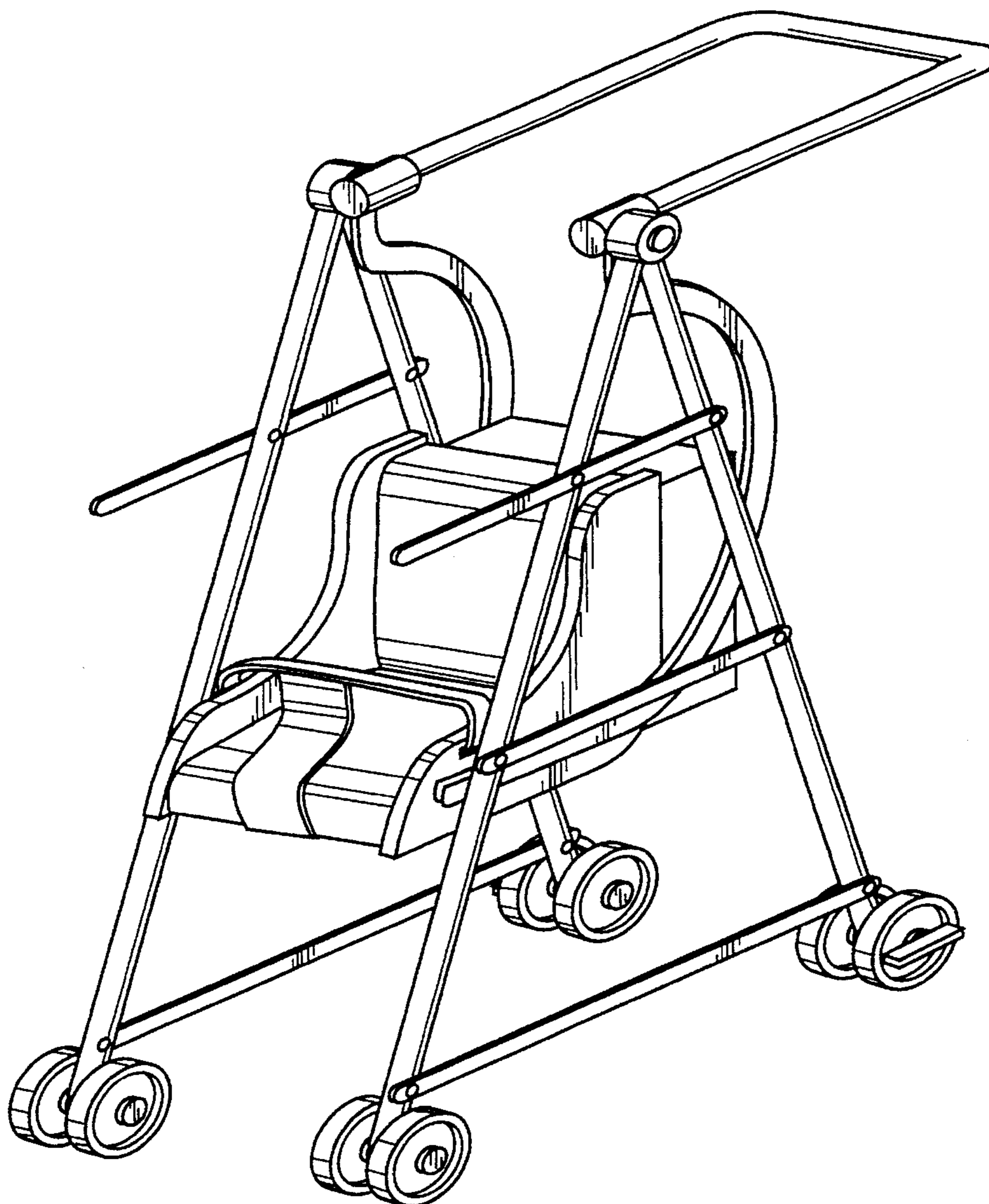
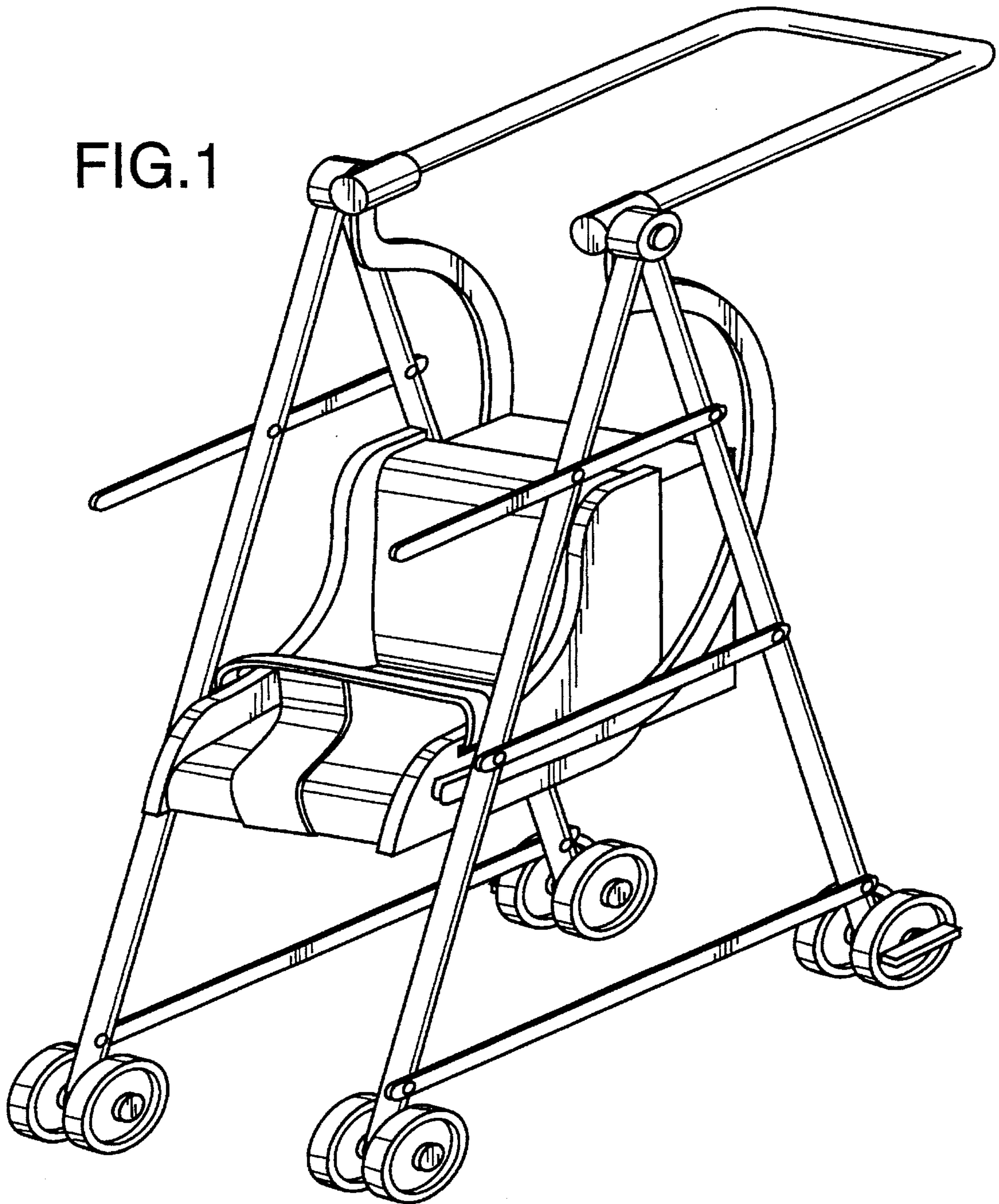


FIG. 1



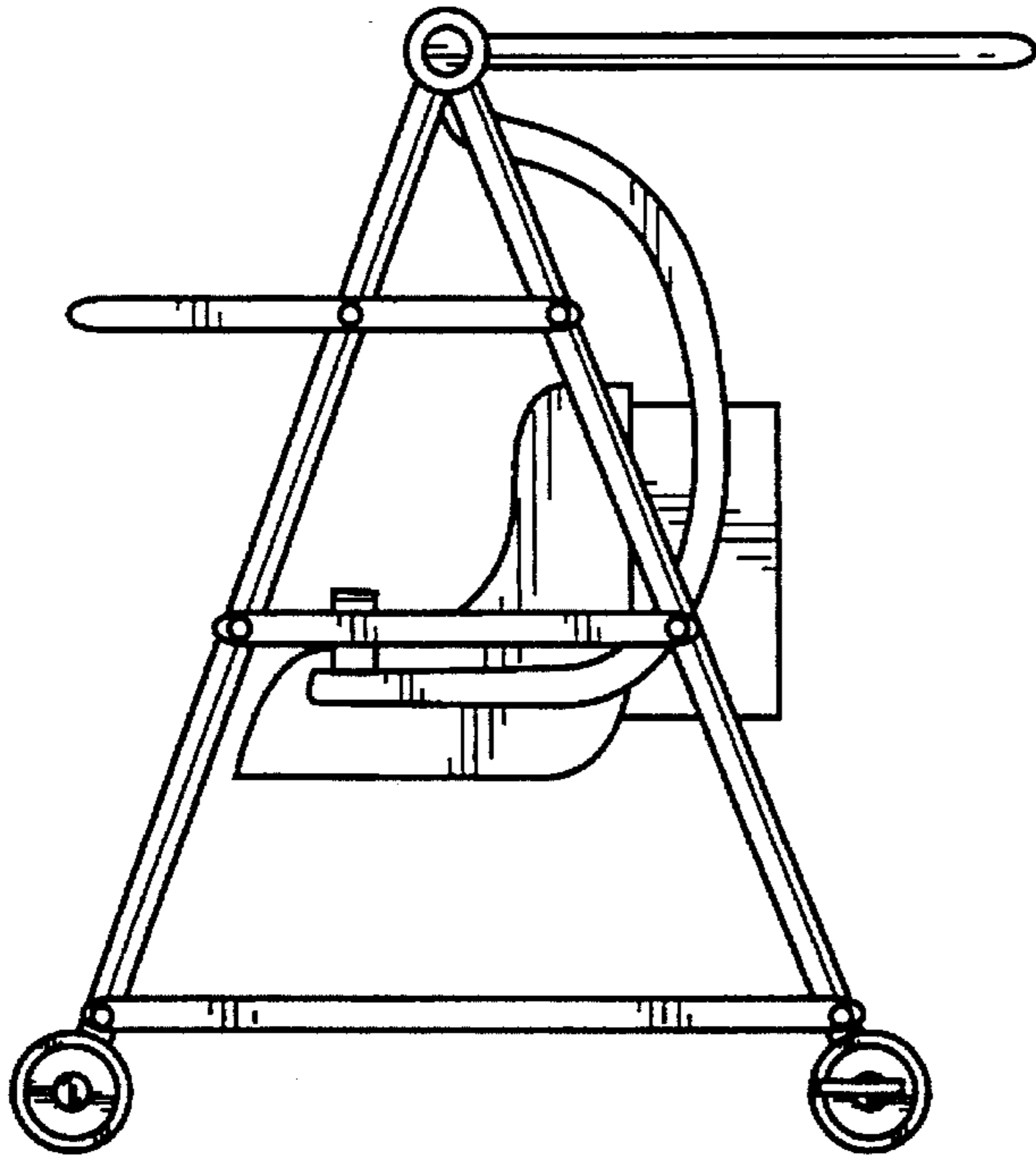


FIG. 2

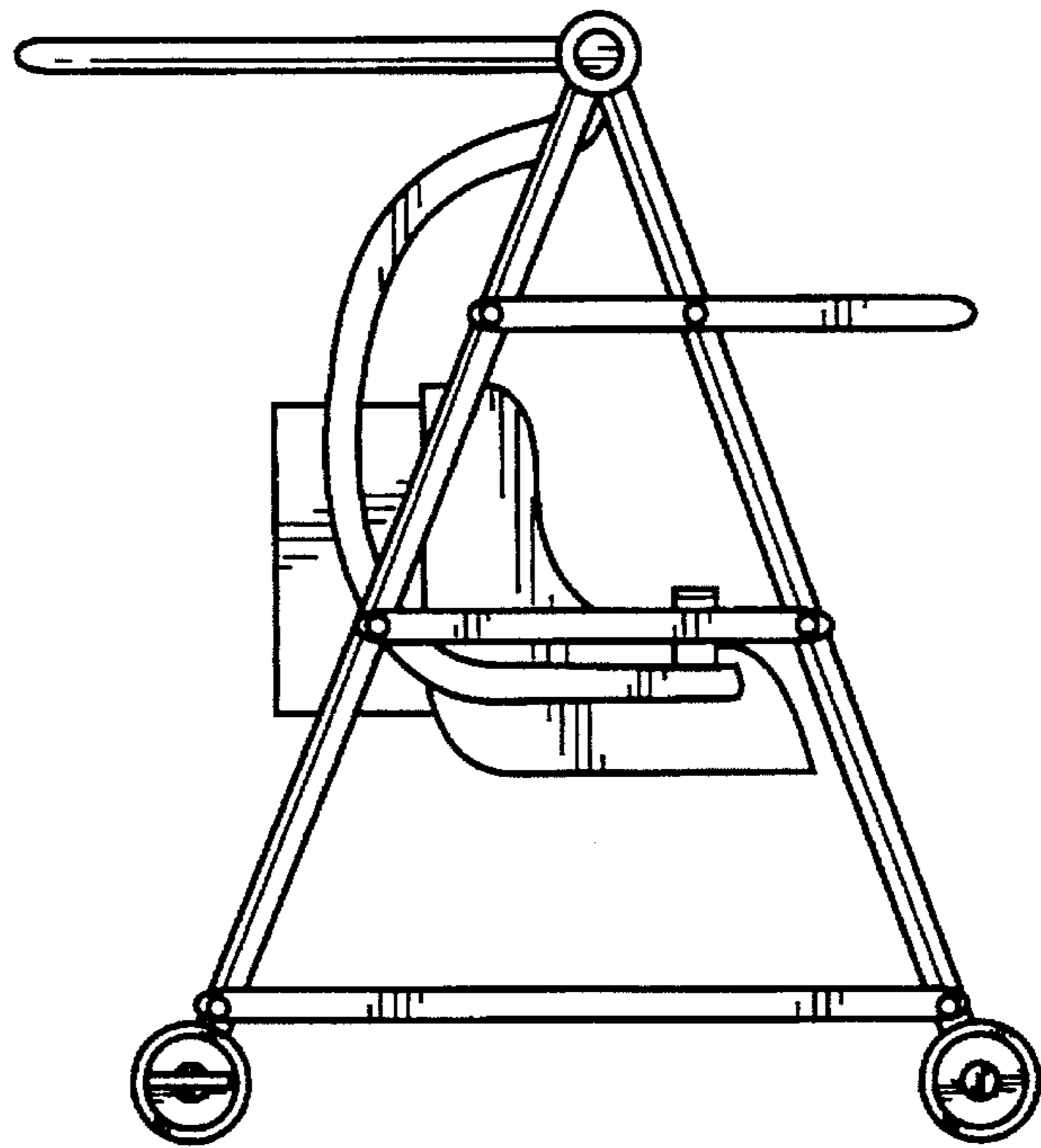


FIG. 3

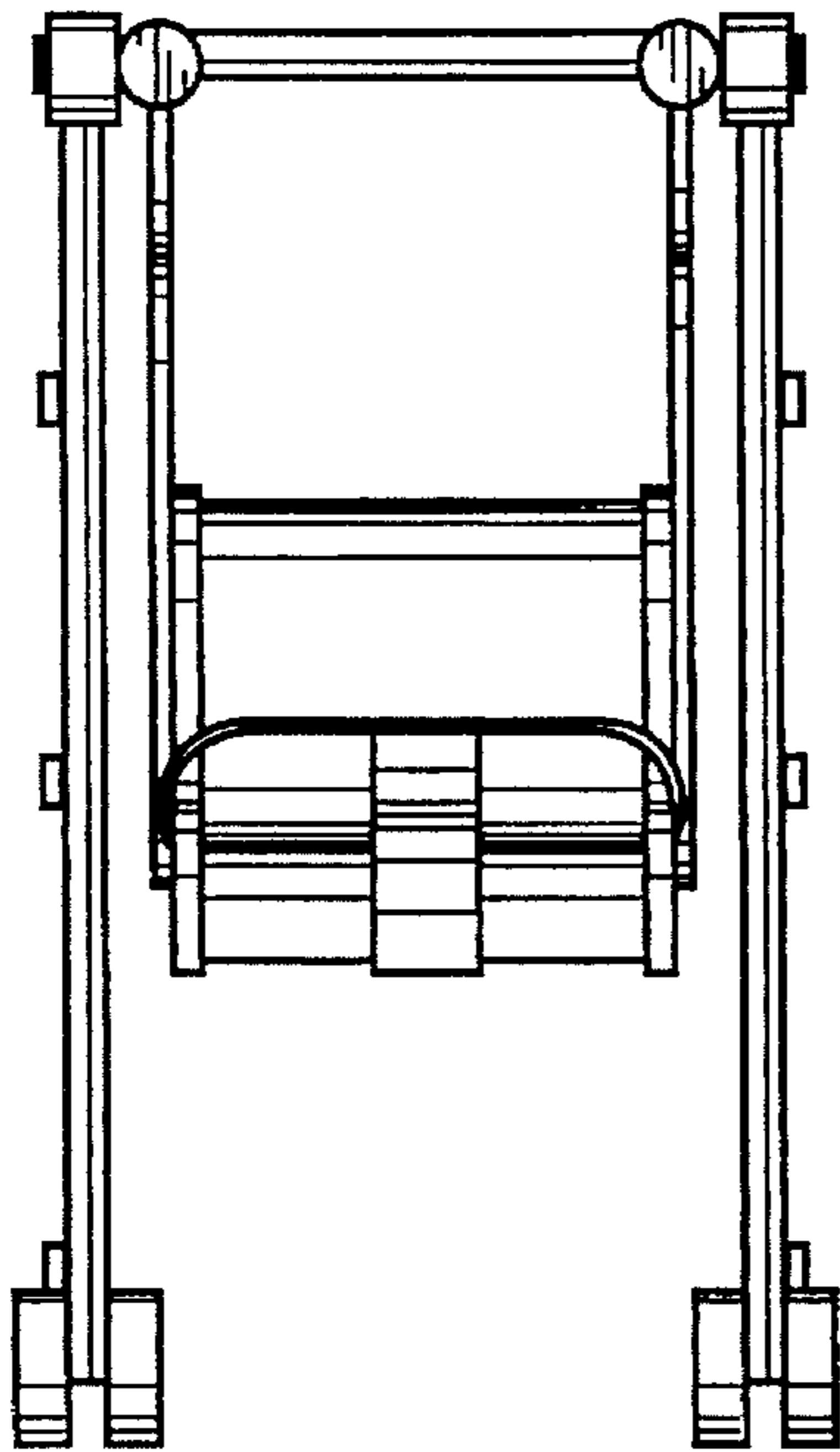


FIG. 4

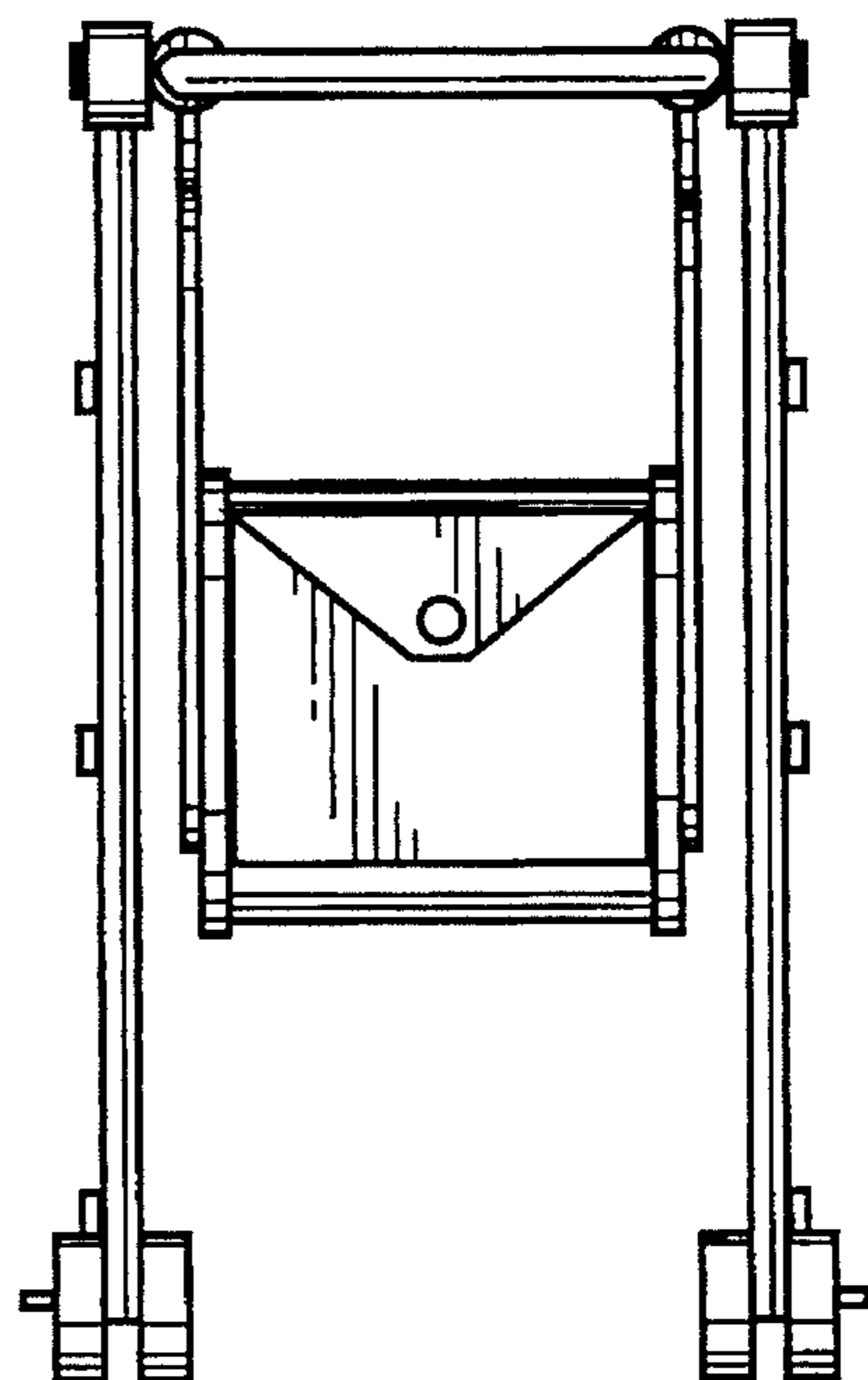


FIG. 5