



US00D377463S

United States Patent [19]

[11] Patent Number: **Des. 377,463**

Cressall

[45] Date of Patent: ****Jan. 21, 1997**

[54] **PLATFORM FOR TRUCK BED**

5,427,428 6/1995 Ericson et al. D12/98

[76] Inventor: **D. Brent Cressall**, 902 Edwards Ave.,
Riverton, Wyo. 82501

Primary Examiner—A. Hugo Word
Assistant Examiner—Melody Brown
Attorney, Agent, or Firm—Harold H. Dutton, Jr.; W. Charles
L. Jamison; Diane F. Liebman

[**] Term: **14 Years**

[21] Appl. No.: **47,024**

[57] **CLAIM**

[22] Filed: **Nov. 27, 1995**

The ornamental design for a platform for truck bed, as
shown and described.

[52] **U.S. Cl.** **D12/98**

[58] **Field of Search** D12/98, 99, 401,
D12/96, 404; 296/98, 100, 182, 183; 160/133,
135, 231.1, 231.2

DESCRIPTION

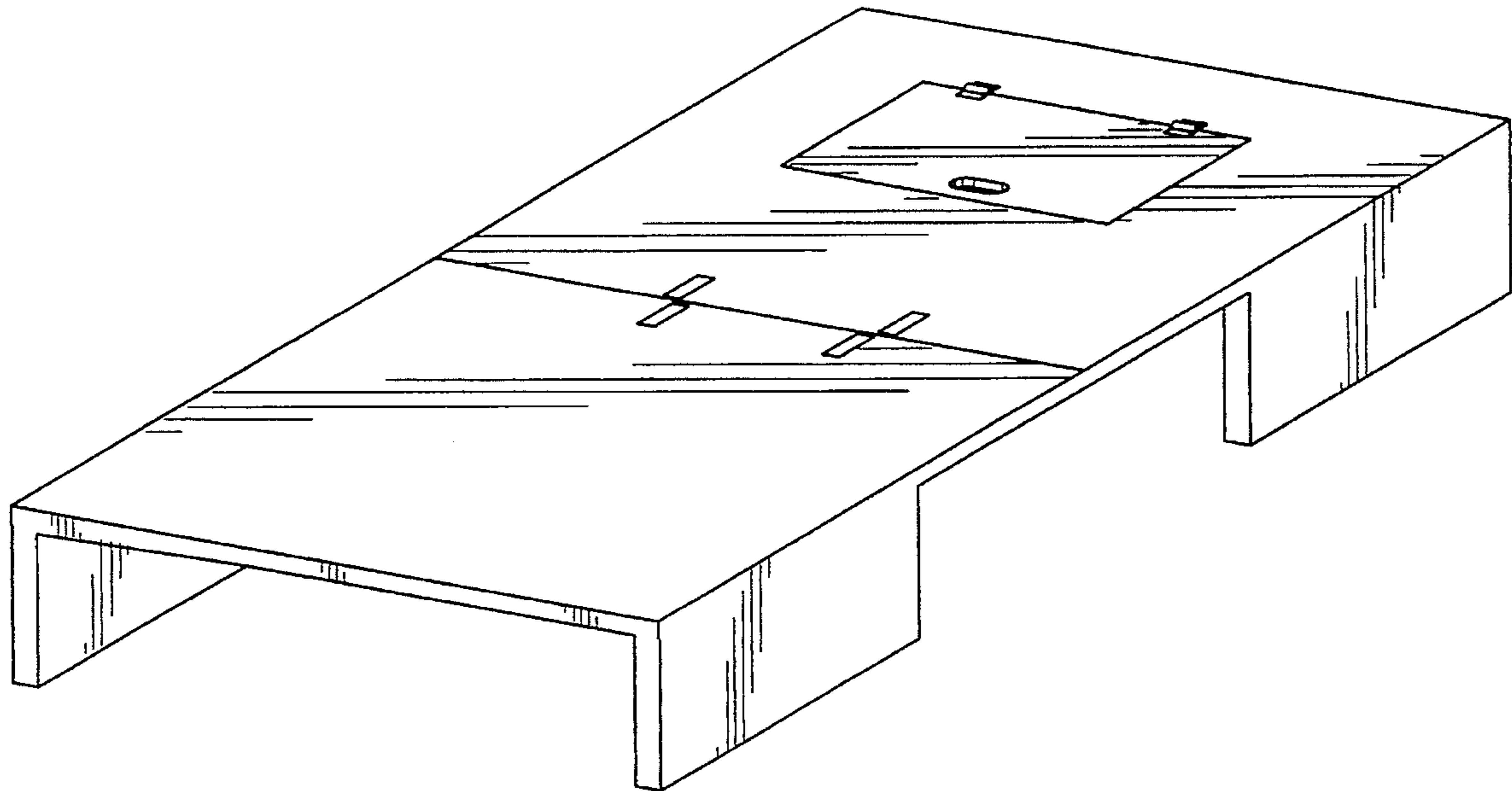
[56] **References Cited**

U.S. PATENT DOCUMENTS

D. 267,709	1/1983	Leaver	D12/98
D. 312,065	11/1990	Karrer	D12/404
D. 329,998	10/1992	Sutton et al.	D12/404
D. 365,080	12/1995	Loughlin	D12/401
5,056,856	10/1991	Pederson	296/100
5,303,947	4/1994	Gerber	280/423.1

FIG. 1 is a perspective view of a platform for truck bed
showing my new design;
FIG. 2 is a top view thereof;
FIG. 3 is a bottom view thereof;
FIG. 4 is a front view thereof;
FIG. 5 is a rear view thereof; and,
FIG. 6 is a right side view thereof.
The left side view is a mirror image of FIG. 6.

1 Claim, 4 Drawing Sheets



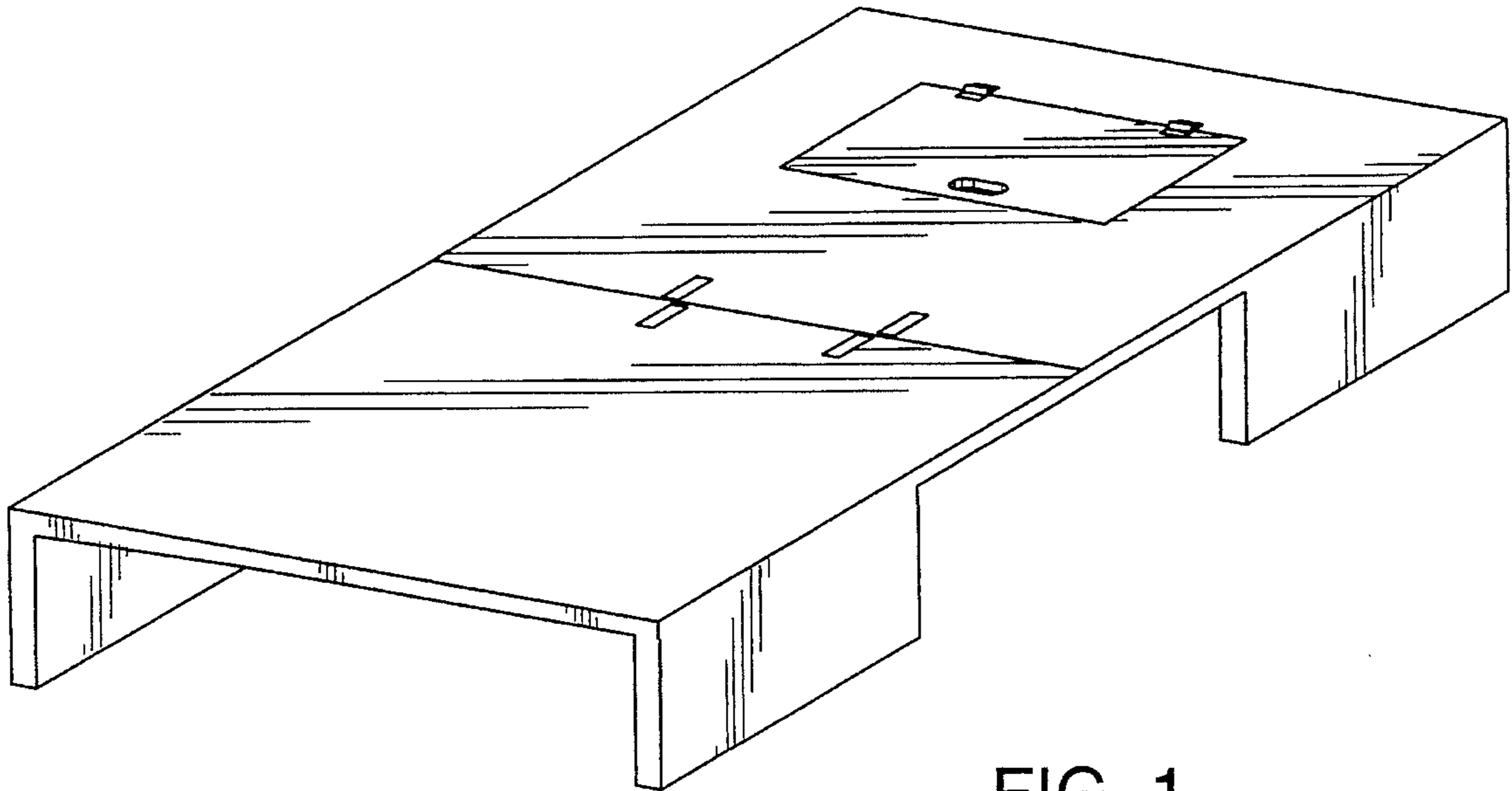


FIG. 1

FIG. 2

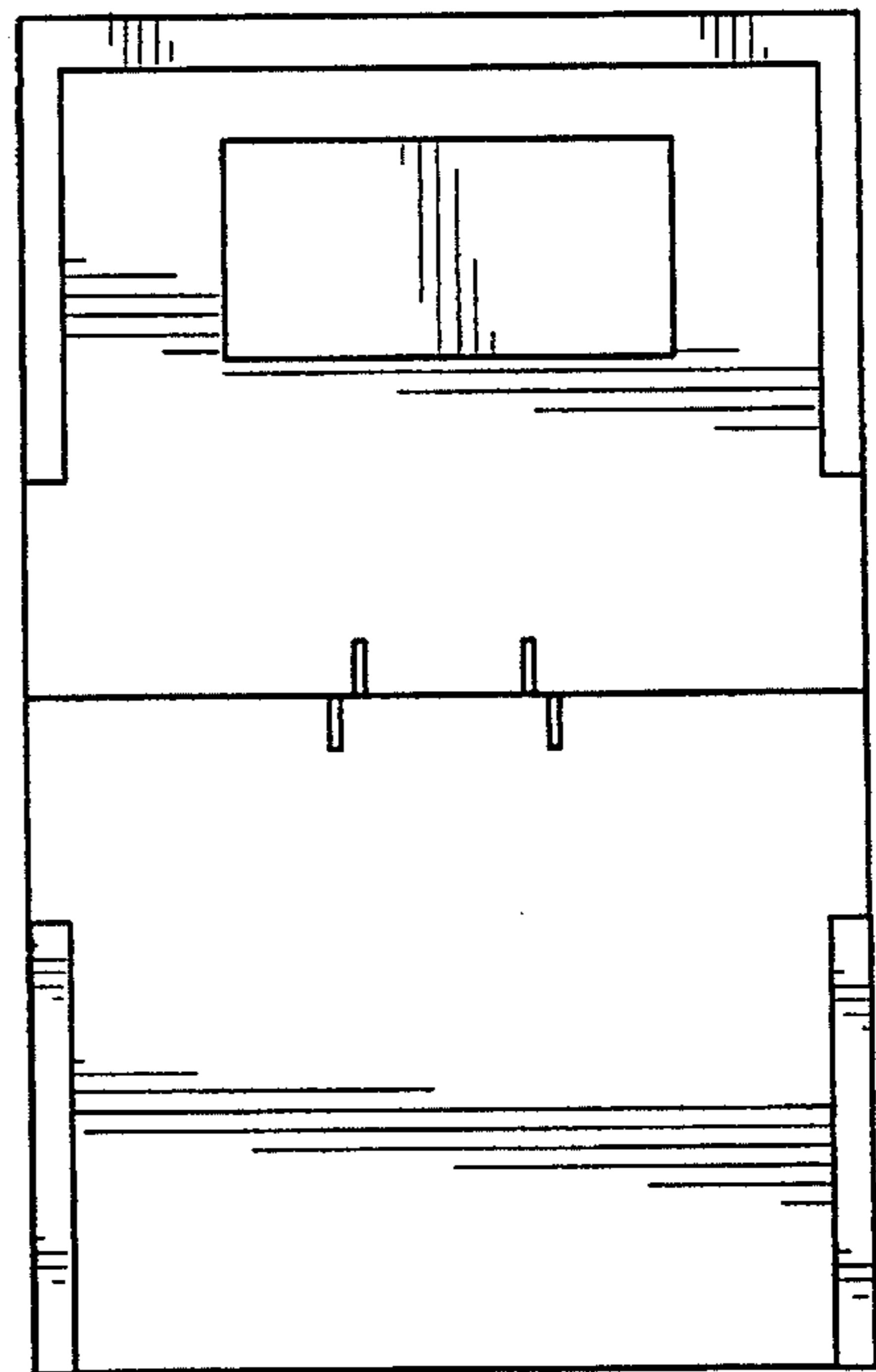
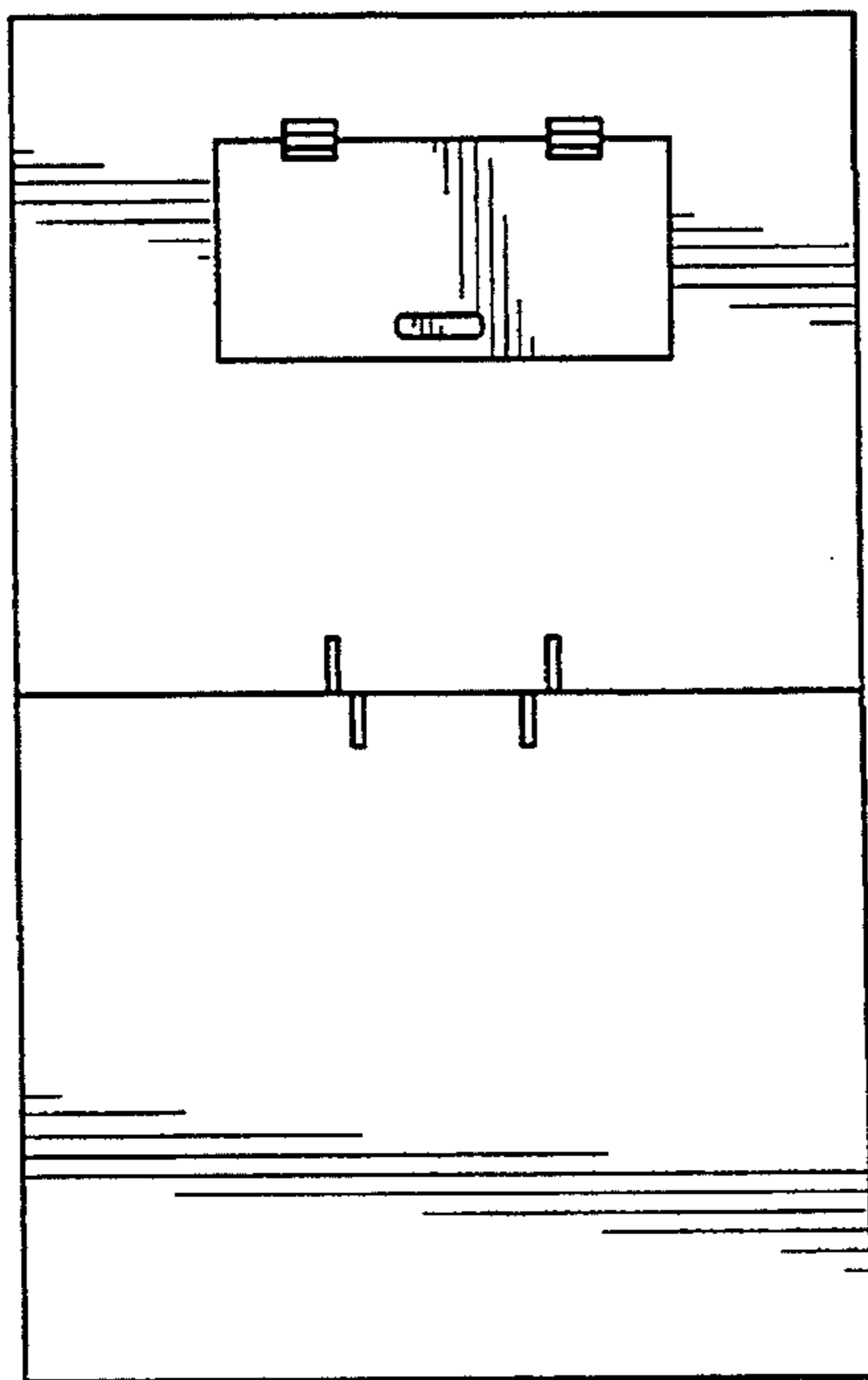


FIG. 3



FIG. 4

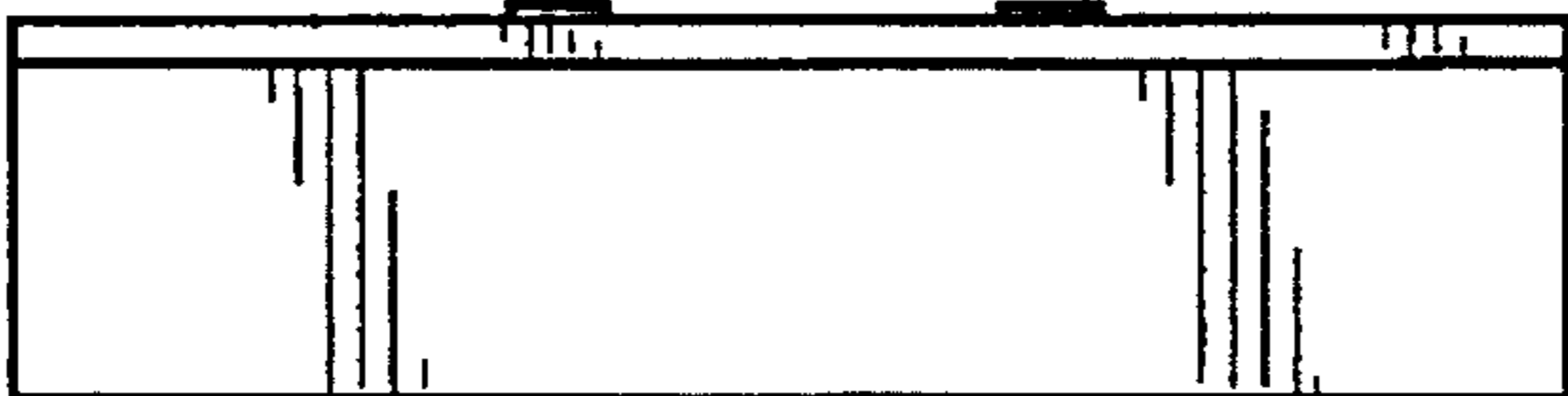


FIG. 5

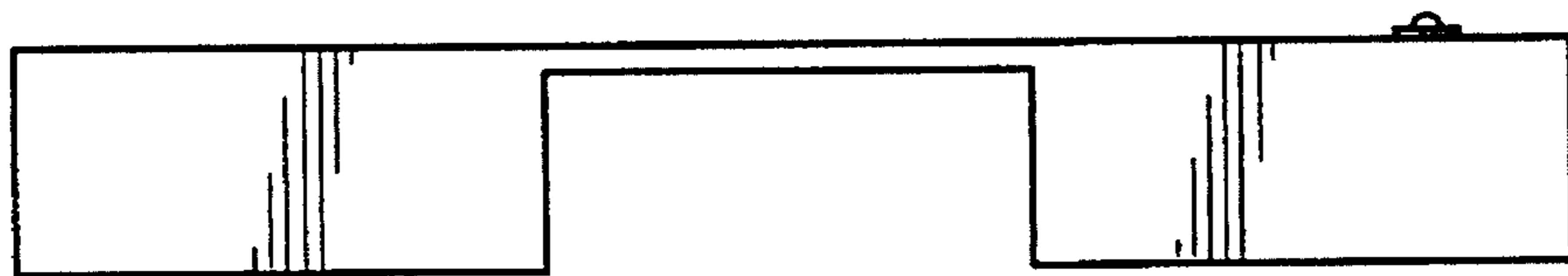


FIG. 6