



US00D377453S

United States Patent [19]

McClane

[11] Patent Number: **Des. 377,453**

[45] Date of Patent: ****Jan. 21, 1997**

[54] **SIDE-STREAM SAMPLING DEVICE**

[76] Inventor: **M. Brent McClane**, 3504 W. Main St.,
Belleville, Ill. 62223

[**] Term: **14 Years**

[21] Appl. No.: **19,045**

[22] Filed: **Feb. 22, 1994**

[52] U.S. Cl. **D10/46; D10/81**

[58] Field of Search D10/46; D24/216,
D24/224, 231, 232; D30/101; 73/863, 863.01,
864.62, 61.71, 864.51, 864.91, 864, 864.59,
431, 64.56, 170 A; 204/153.12, 153.16,
403, 409; 210/534, 85, 96.2, 321.69, 94,
95, 538; 324/438, 439; 374/142; 435/29,
30, 34, 38, 39, 289, 291, 292; 436/63, 144,
151

[56] **References Cited**

U.S. PATENT DOCUMENTS

D. 246,666 12/1977 Schlichting, Jr. D24/216 X

4,233,404 11/1980 Baier 435/30

4,600,888 7/1986 Fukumoto et al. 324/439

4,803,869 2/1989 Barcelona et al. 374/142

5,220,825 6/1993 Peterson et al. 73/863.01

Primary Examiner—Antoine Duval Davis

Attorney, Agent, or Firm—Armstrong, Teasdale, Schlafly &
Davis

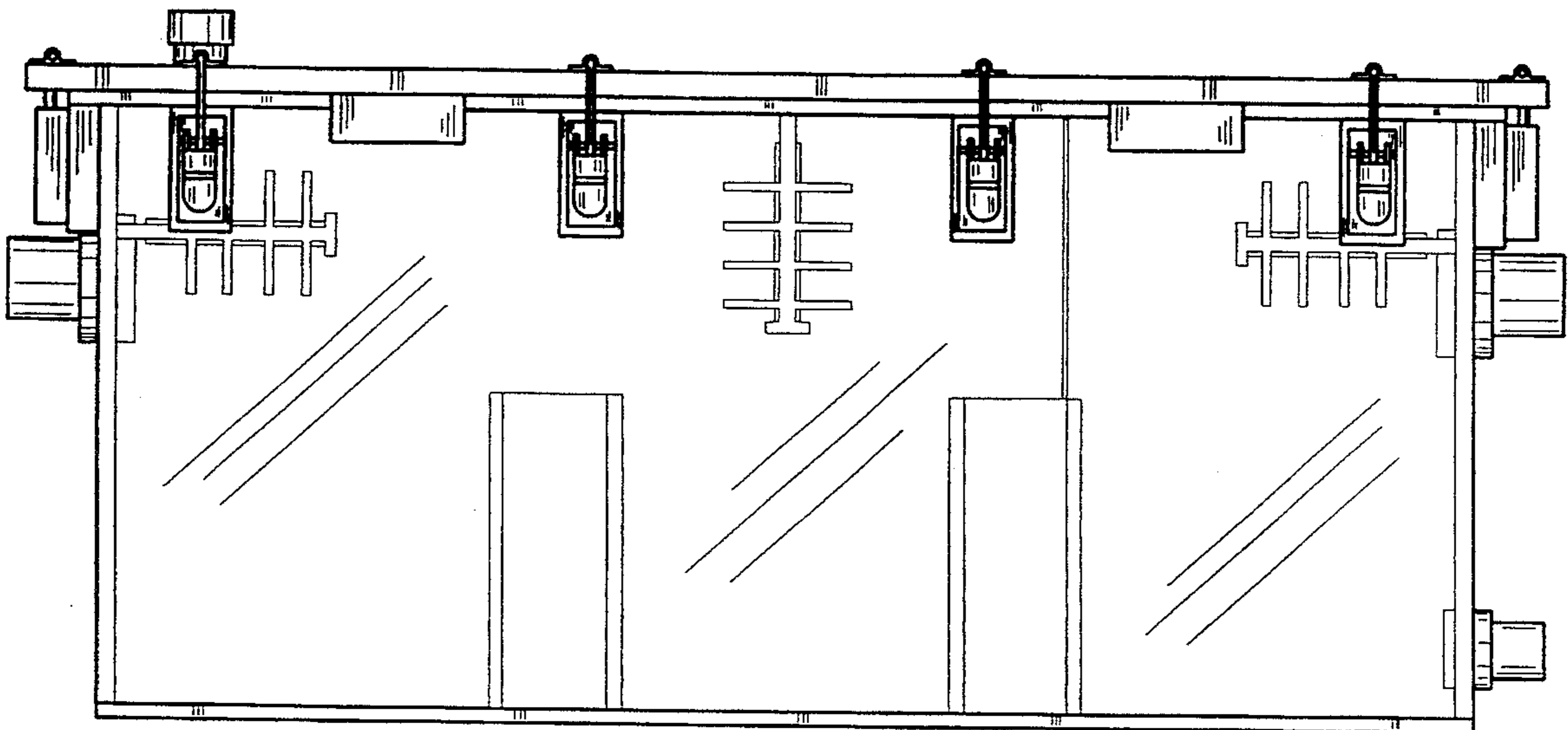
[57] CLAIM

The ornamental design for a side-stream sampling device, as
shown and described.

DESCRIPTION

FIG. 1 is a front side elevation thereof;
FIG. 2 is a left end elevation thereof;
FIG. 3 is a right end elevation thereof;
FIG. 4 is a back side elevation thereof;
FIG. 5 is a top plan view thereof; and,
FIG. 6 is a bottom plan view thereof.

1 Claim, 5 Drawing Sheets



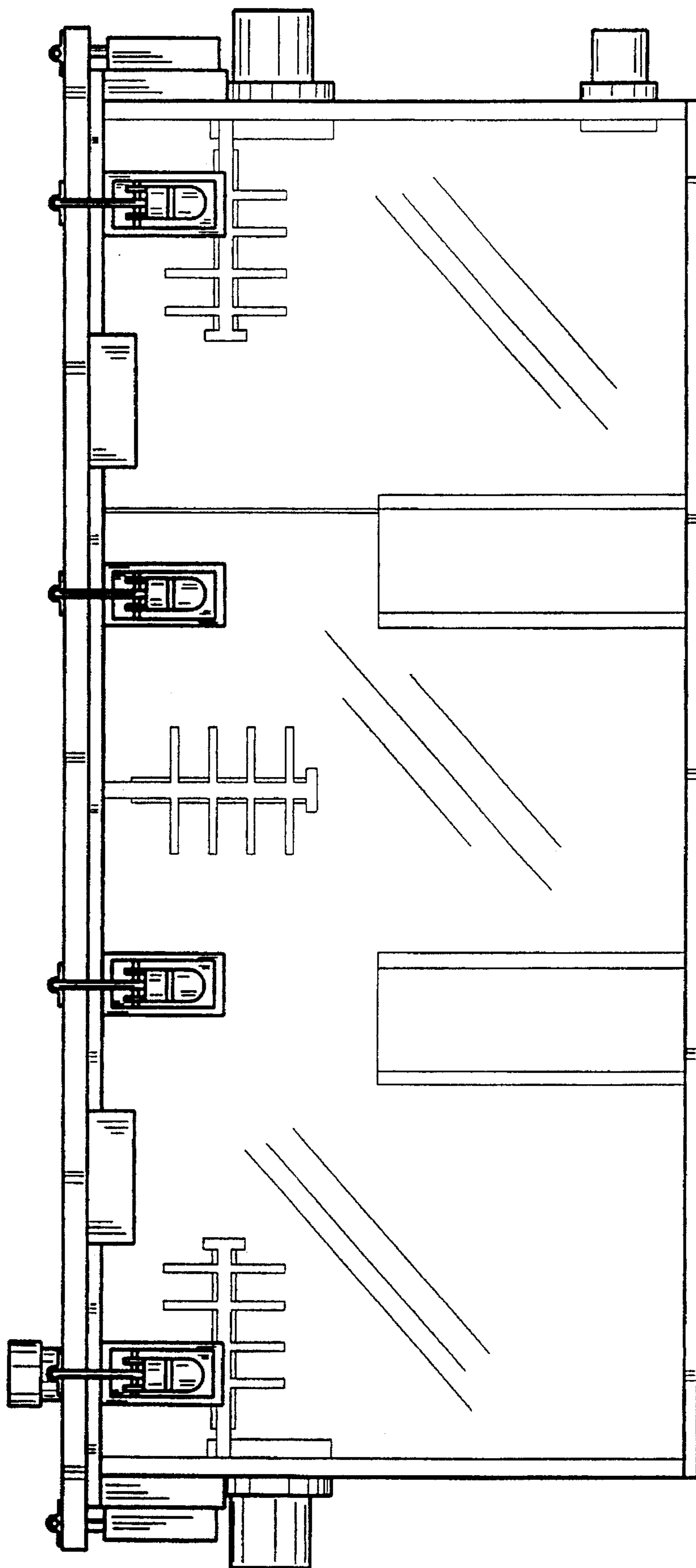


FIG. 1

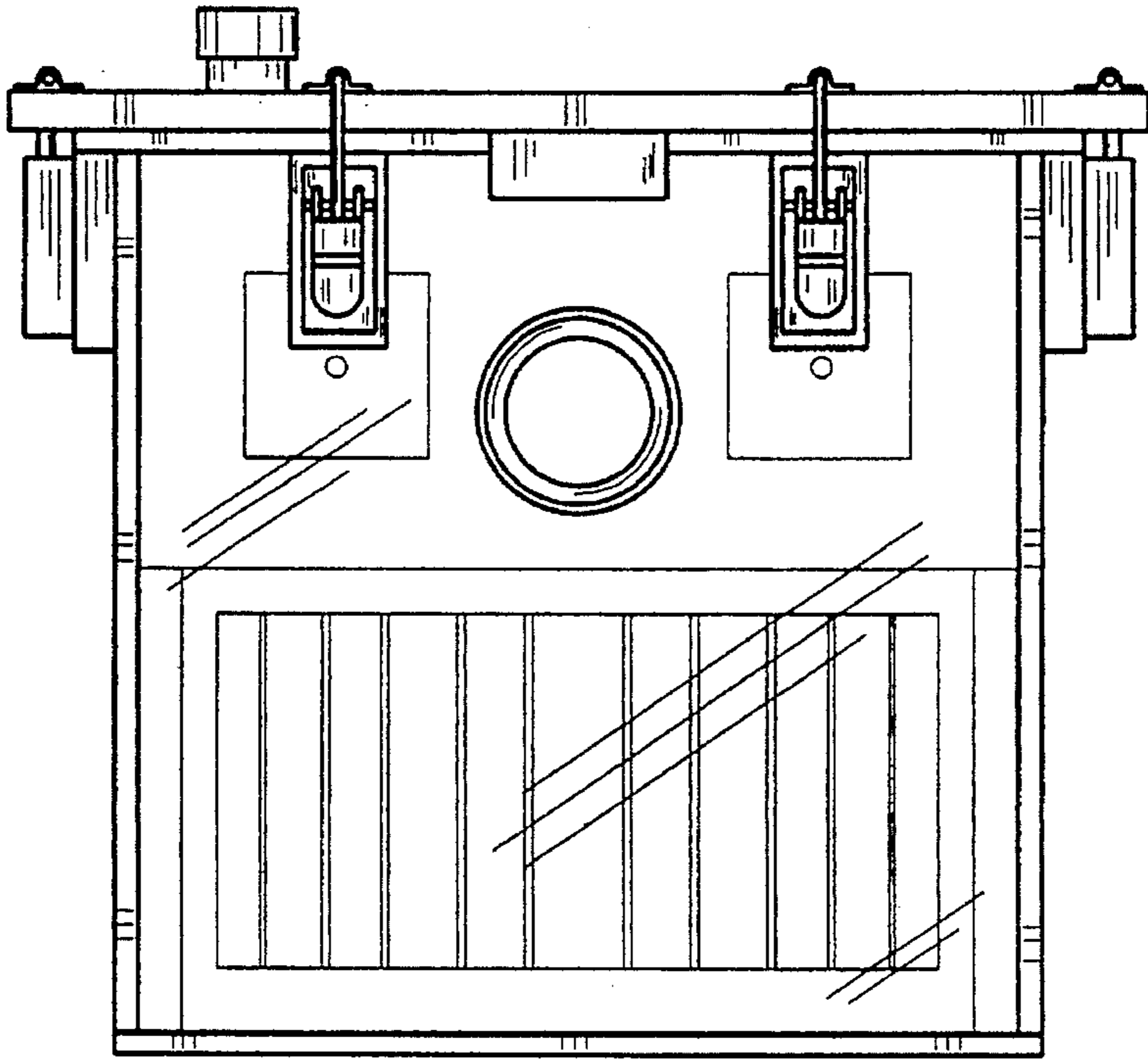


FIG. 2

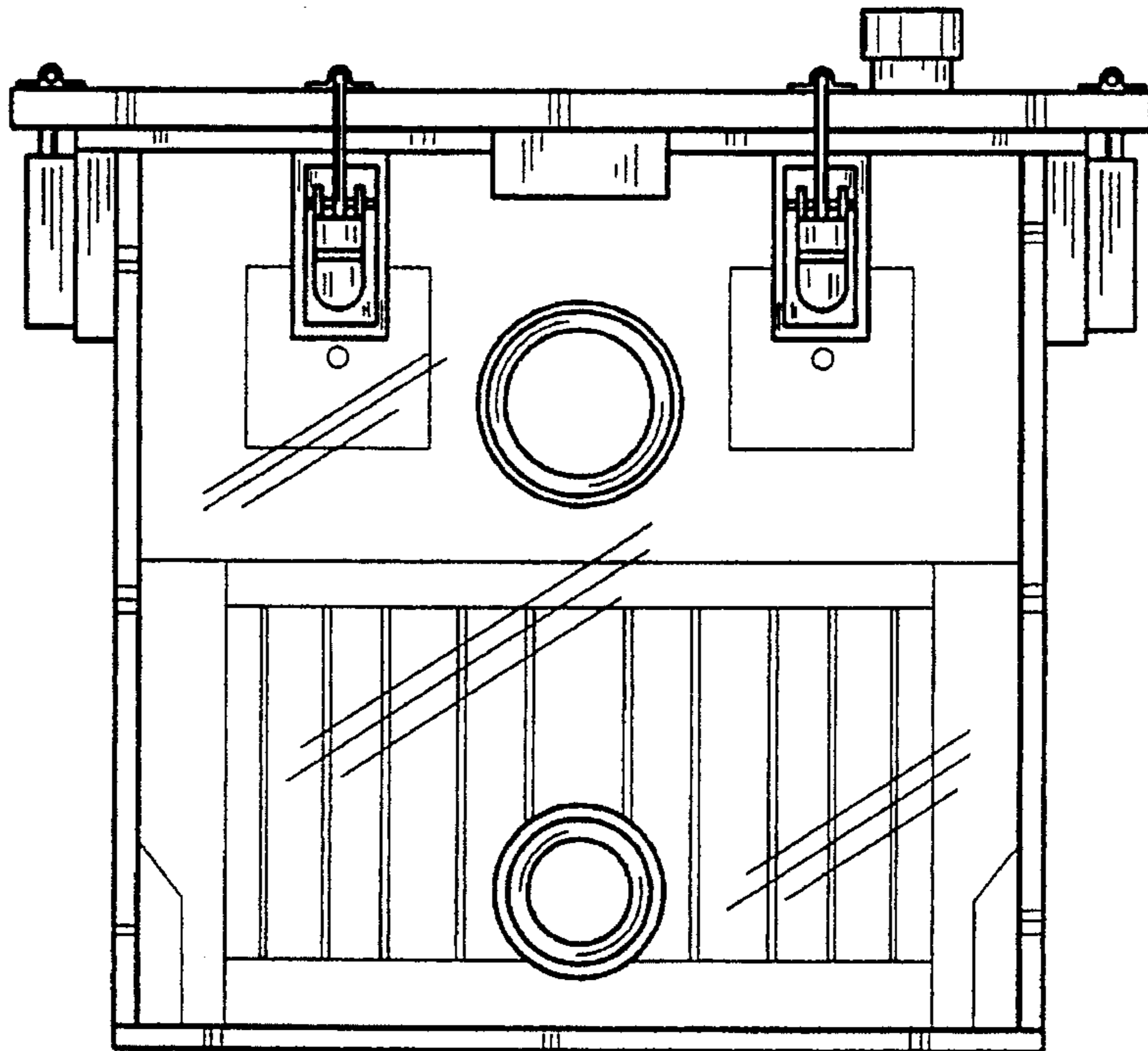


FIG. 3

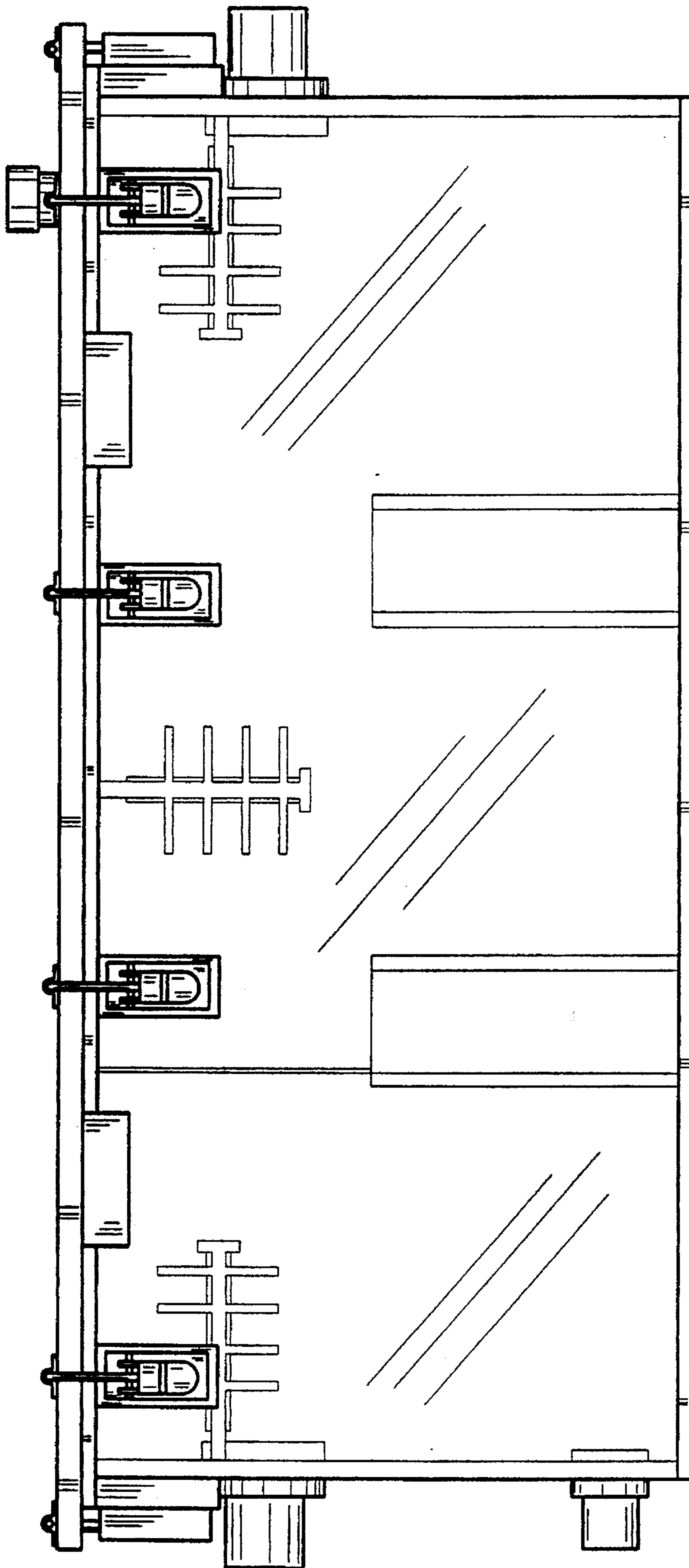


FIG. 4

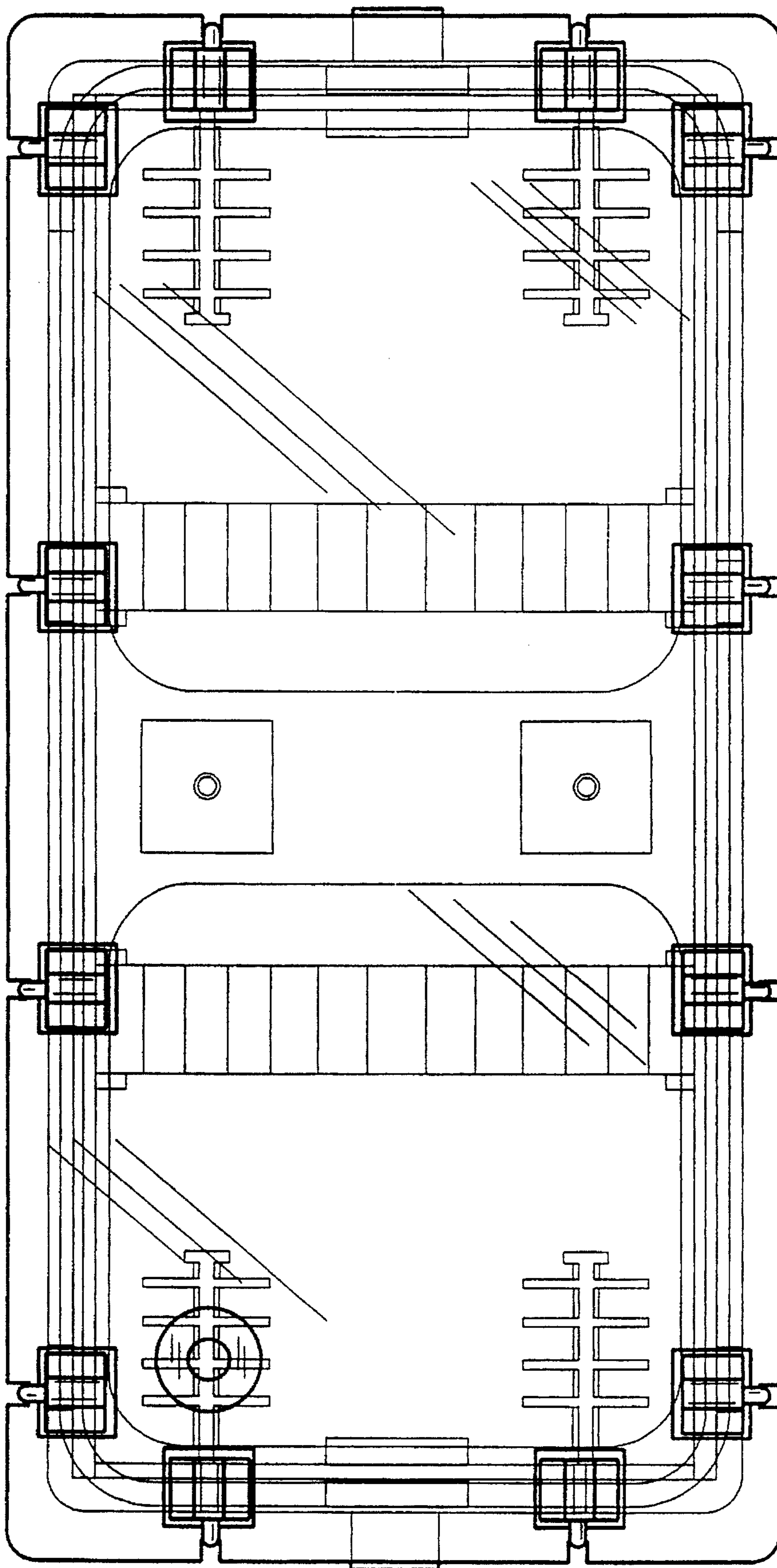


FIG. 5

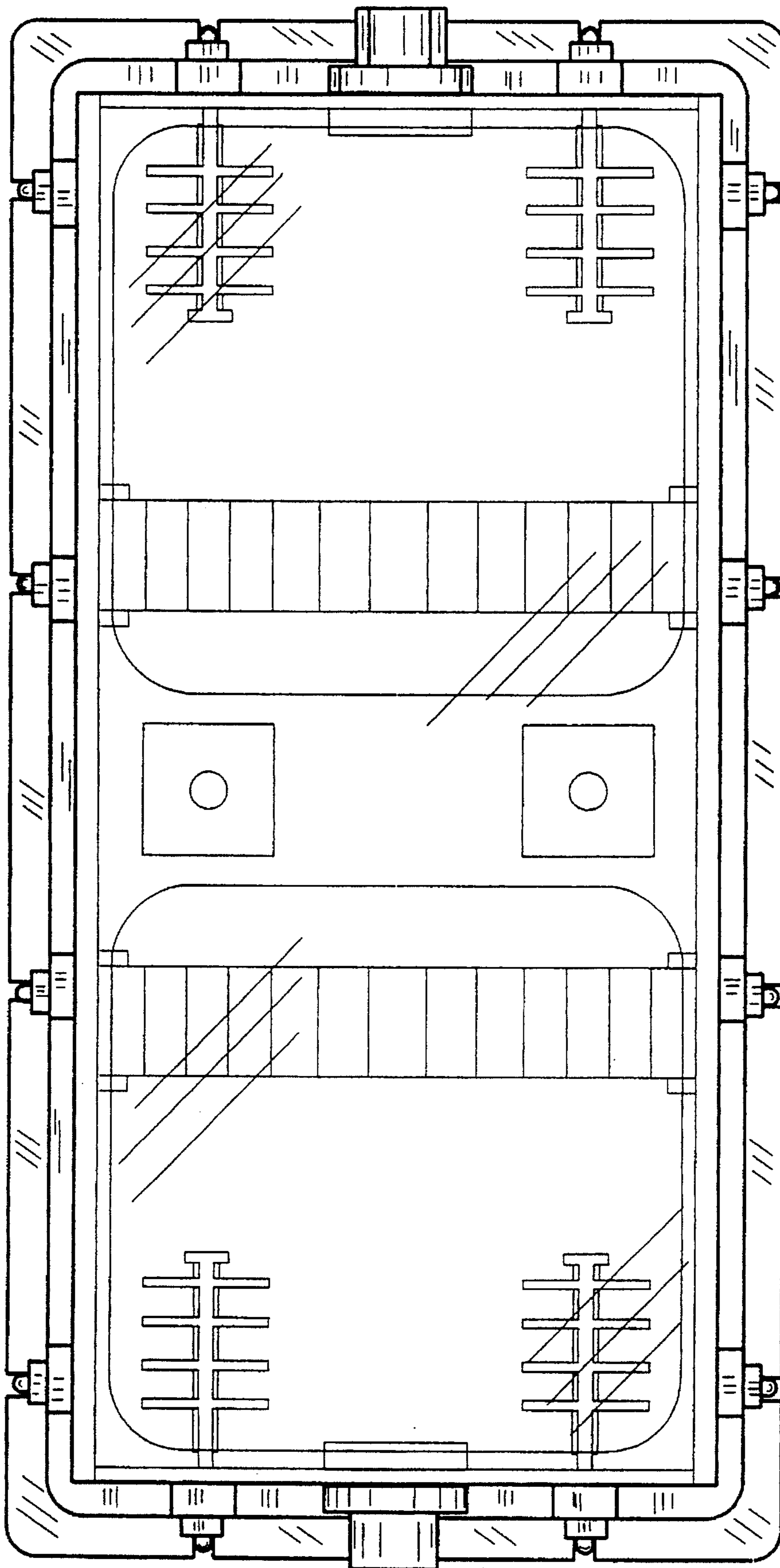


FIG. 6