



US00D377452S

United States Patent [19]

[11] **Patent Number: Des. 377,452**

Boone

[45] **Date of Patent: **Jan. 21, 1997**

[54] **CHILD'S TIMING DEVICE FOR MONITORING POTTY TIME**

5,444,671 8/1995 Tschannen 368/10

OTHER PUBLICATIONS

[76] Inventor: **Kevin D. Boone**, 4919 W. 121st St., Hawthorne, Calif. 90250

Design—Dec. 1973—p. 73—Watch #11—“Snoopy”© watch and lower-right.

[**] Term: **14 Years**

Primary Examiner—Nelson C. Holtje

[21] Appl. No.: **48,752**

[57] **CLAIM**

[22] Filed: **Nov. 17, 1995**

The ornamental design for a child's timing device for monitoring potty time, as shown and described.

[52] **U.S. Cl.** **D10/40; D10/34; D10/32**

[58] **Field of Search** **D10/1-40, 122-132; 368/97-100, 107-121, 276-277, 285, 316, 317**

DESCRIPTION

FIG. 1 is a front elevational view of the child's timing device for monitoring potty time showing my new design; FIG. 2 is a rear elevational view thereof; FIG. 3 is a right view thereof; FIG. 4 is a left view thereof; FIG. 5 is a top plan view thereof; and, FIG. 6 is a bottom plan view thereof.

[56] **References Cited**

U.S. PATENT DOCUMENTS

- D. 184,355 2/1959 Judson D10/34 X
- D. 238,559 1/1976 Nozdrea D10/34
- D. 324,654 3/1992 Mandielli D10/34

1 Claim, 3 Drawing Sheets

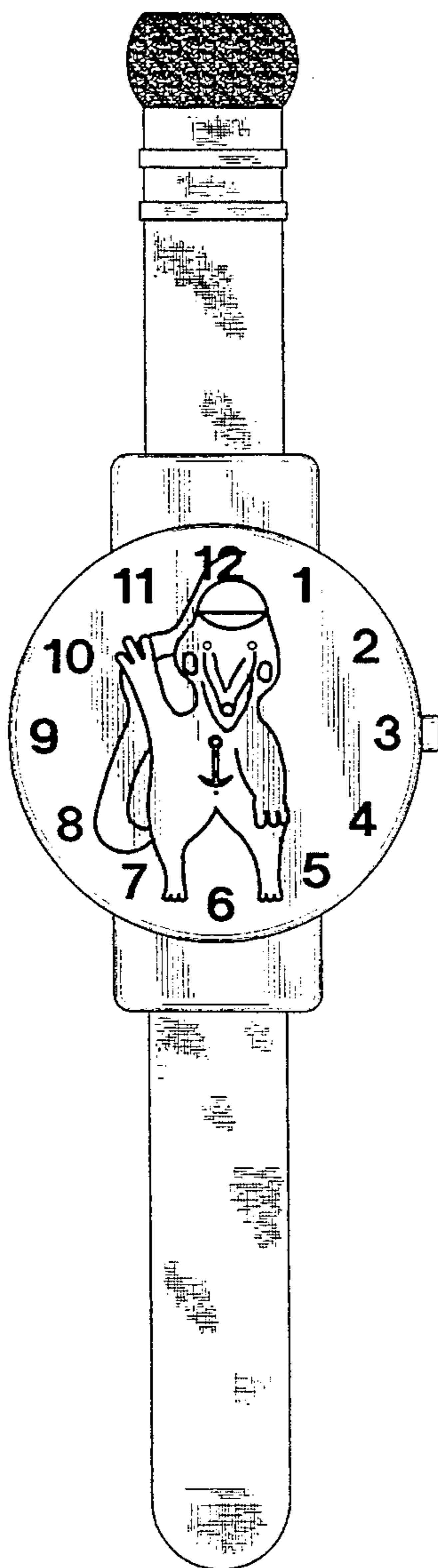


FIG. 1

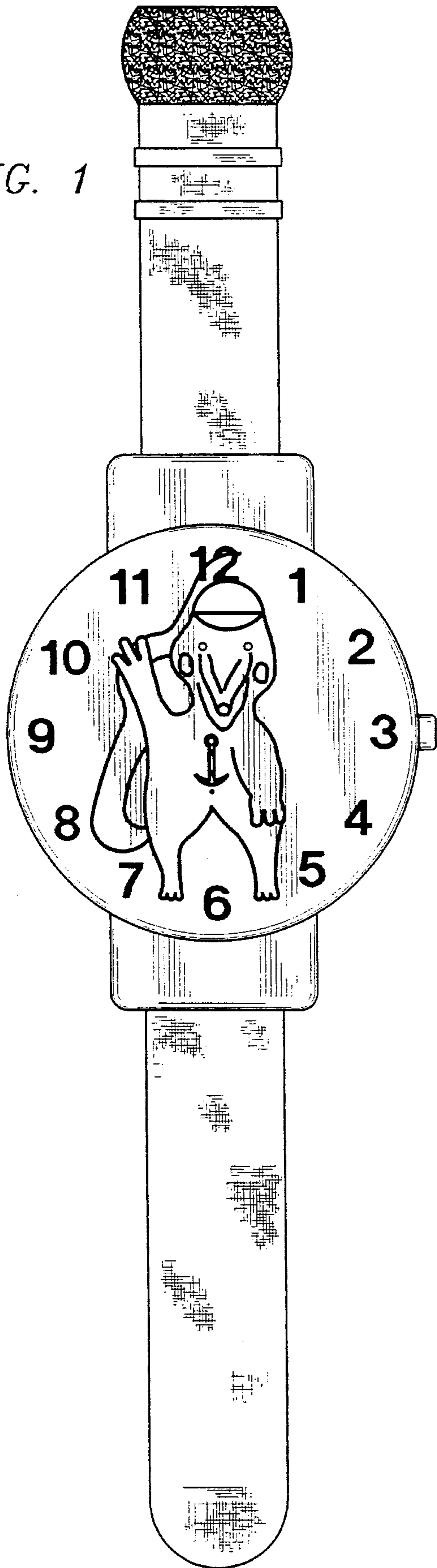


FIG. 2

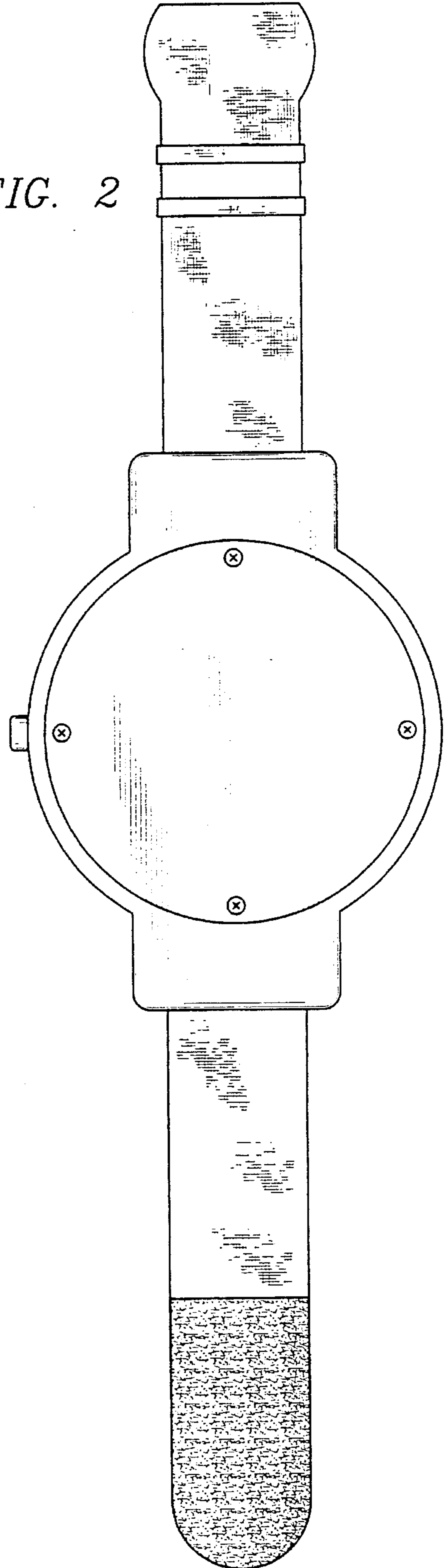


FIG. 3

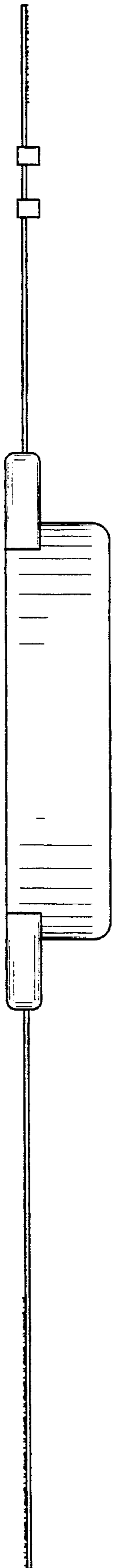


FIG. 4

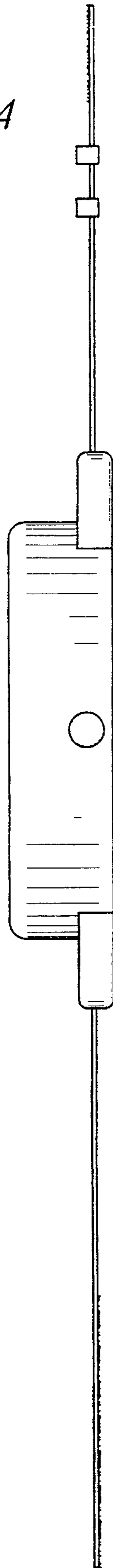


FIG. 5

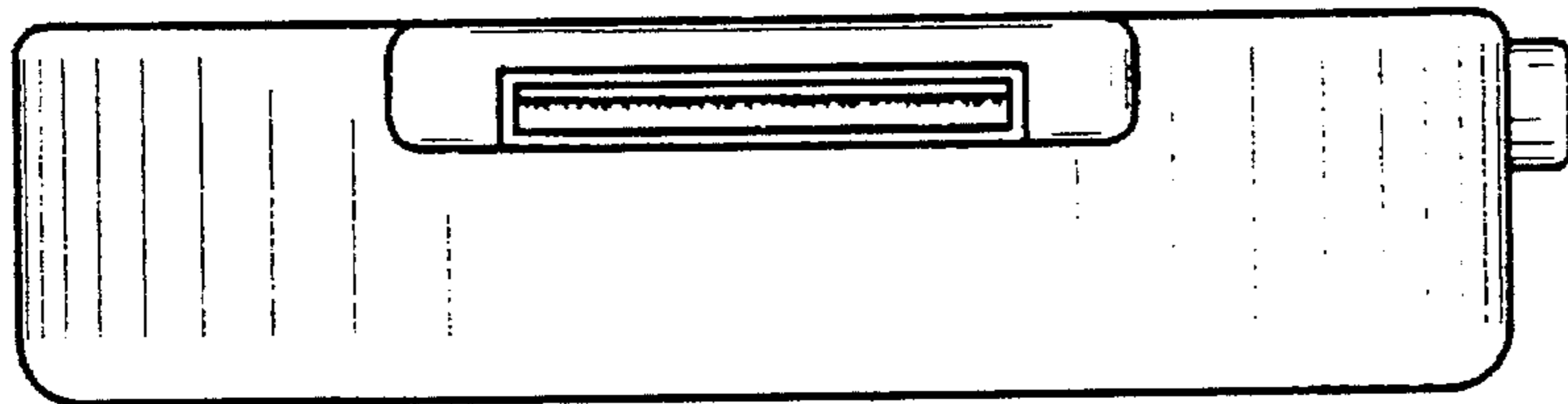


FIG. 6

