



US00D377448S

United States Patent [19]
Nakamura

[11] **Patent Number: Des. 377,448**

[45] **Date of Patent: **Jan. 21, 1997**

[54] **FOOT**

[75] Inventor: **Toshinobu Nakamura**, Tokyo, Japan

[73] Assignee: **Shinagawa Shoko Co., Ltd.**, Tokyo, Japan

[**] Term: **14 Years**

[21] Appl. No.: **50,208**

[22] Filed: **Feb. 12, 1996**

[52] **U.S. Cl.** **D8/374**

[58] **Field of Search** D8/354, 356, 374;
16/42 R, 2; 248/56, 346.2, 188.1

[56] **References Cited**

U.S. PATENT DOCUMENTS

3,317,948	9/1967	Reynolds	16/42 R
3,366,991	2/1968	Vasseur	16/42 R
5,339,491	8/1994	Sims	16/2
5,452,494	9/1995	Wright	16/2

Primary Examiner—Holly H. Baynham
Attorney, Agent, or Firm—Banner & Witcoff, Ltd.

[57] **CLAIM**

The ornamental design for foot, as shown and described.

DESCRIPTION

FIG. 1 is a perspective view of foot embodying the present design;

FIG. 2 is a front view thereof;

FIG. 3 is a top plan view thereof;

FIG. 4 is a bottom view thereof;

FIG. 5 is a right side view thereof; and,

FIG. 6 is a front view thereof in use, for reference.

A left side view is a mirror image of the right side view.

A rear view is a mirror image of the front view.

A broken line showing of a fragmented surface is for illustrative purposes only and forms no part of the claimed design.

1 Claim, 2 Drawing Sheets

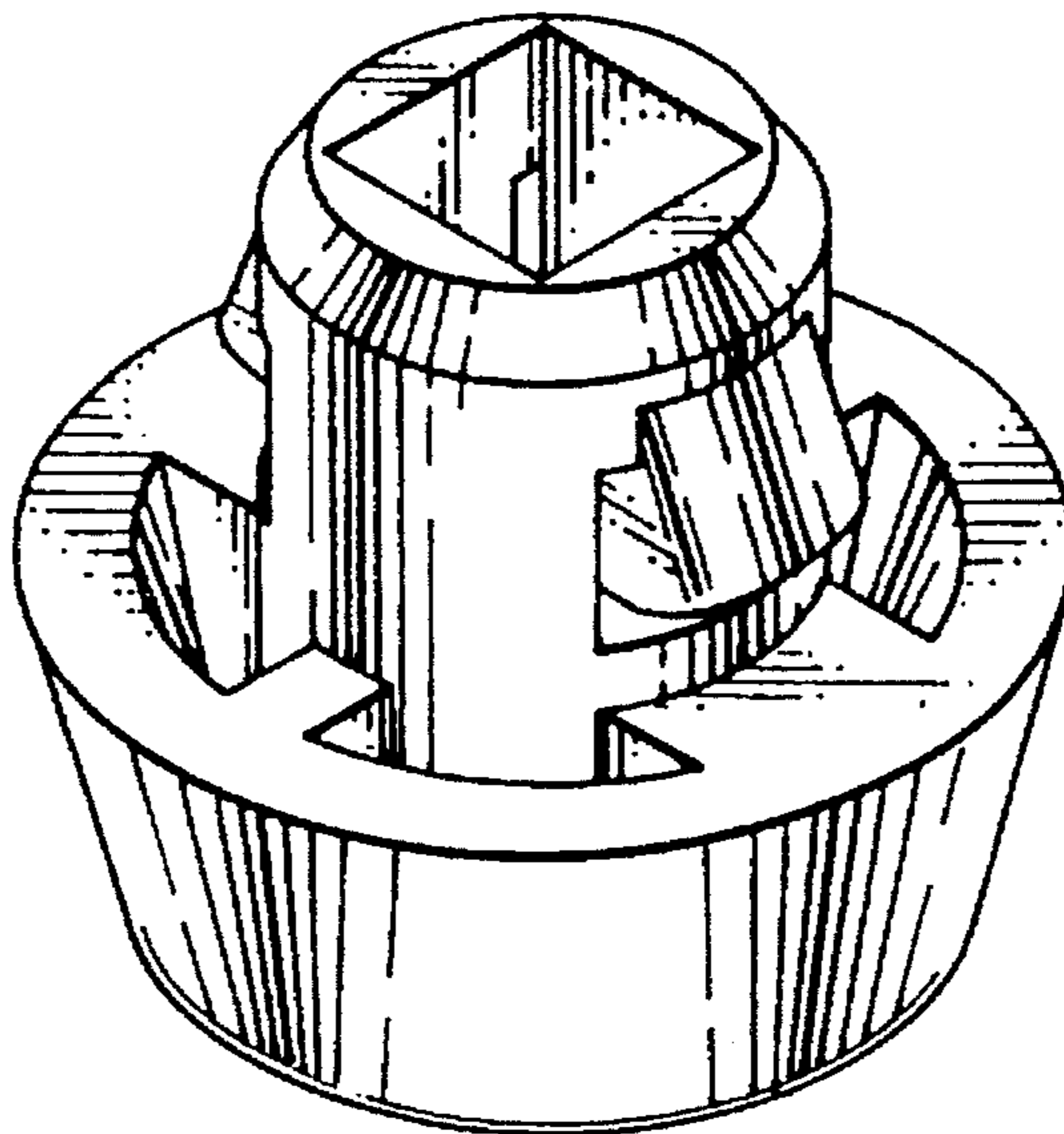


FIG. 1

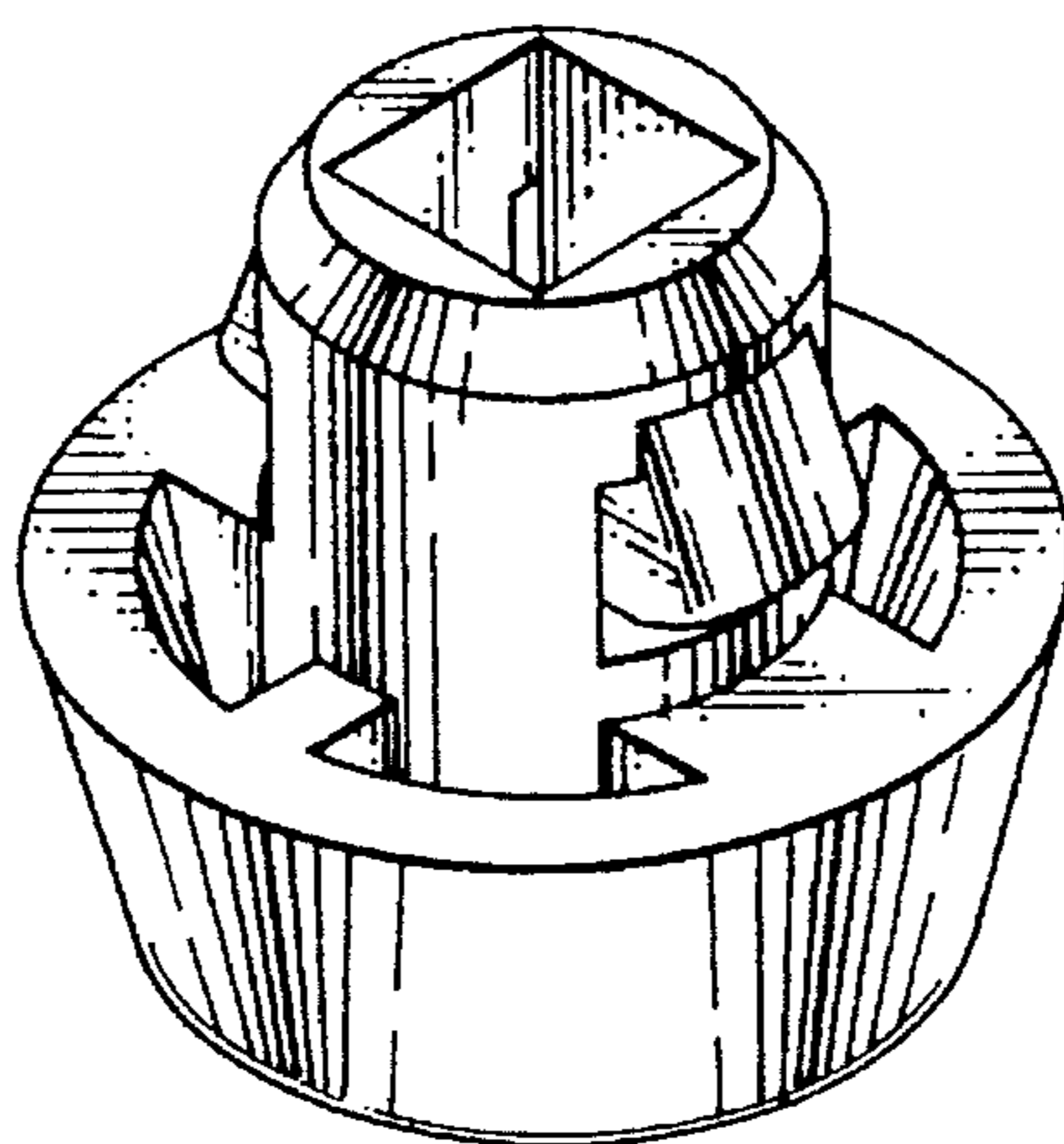


FIG. 2

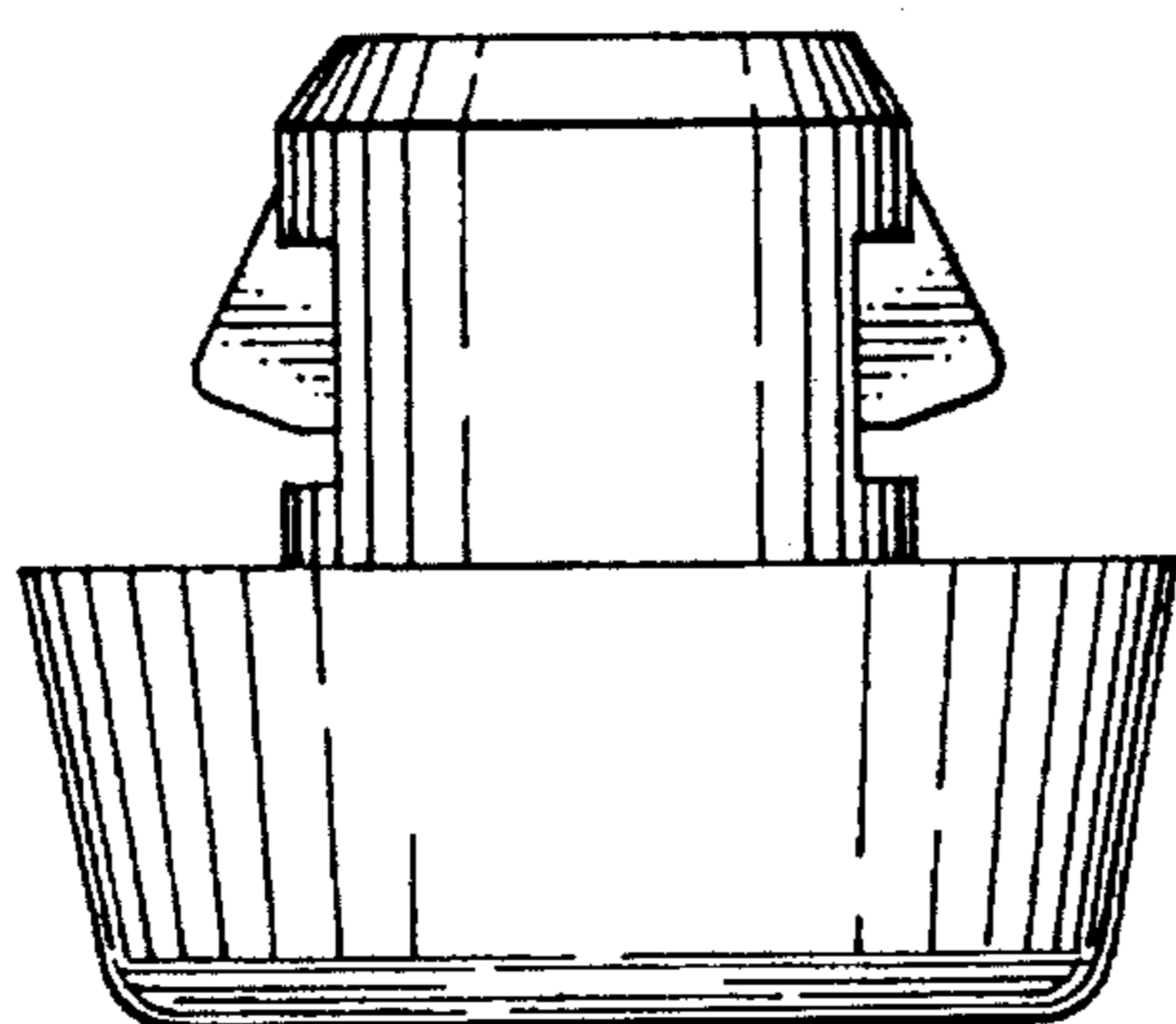


FIG. 3

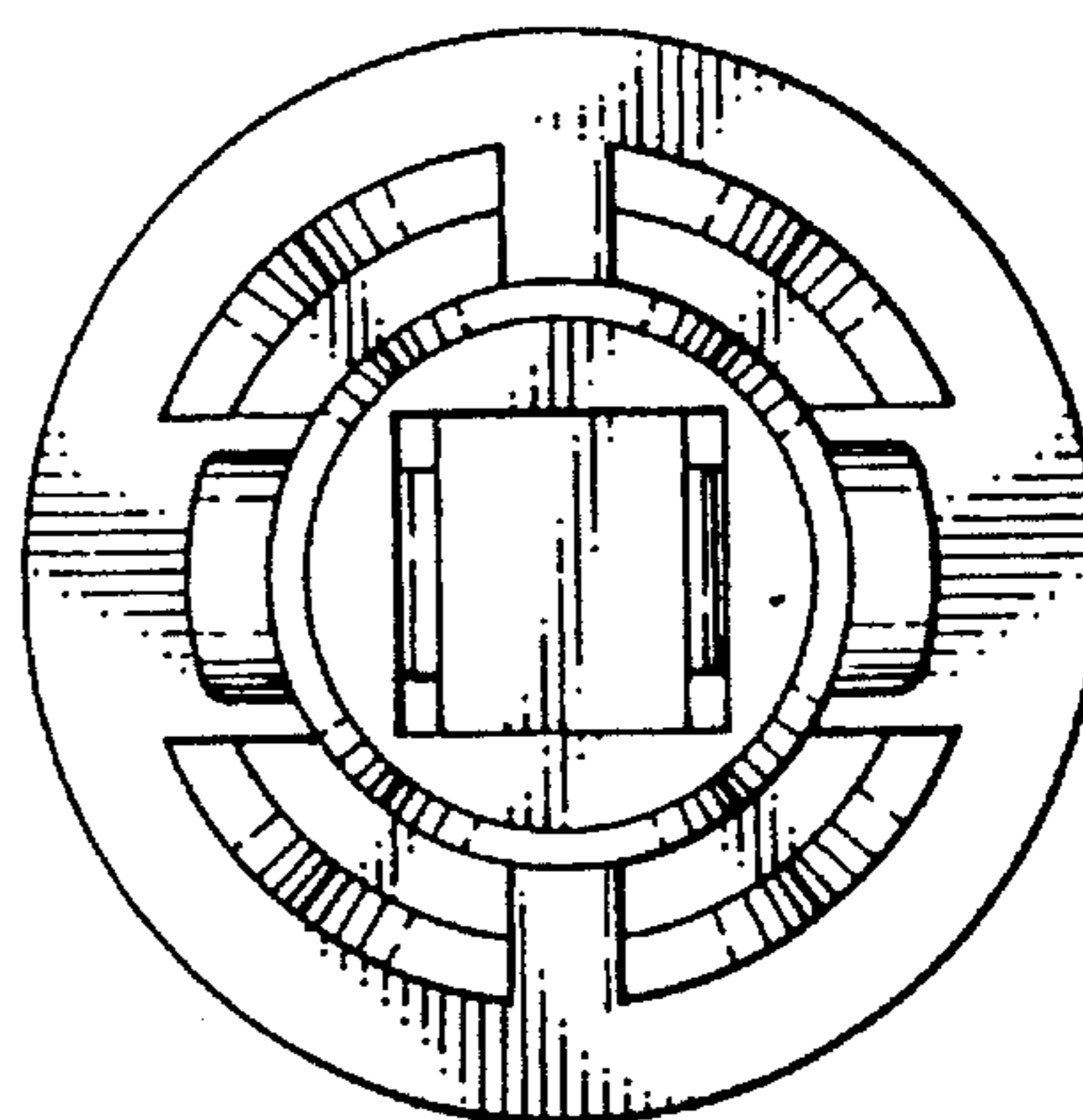


FIG. 4

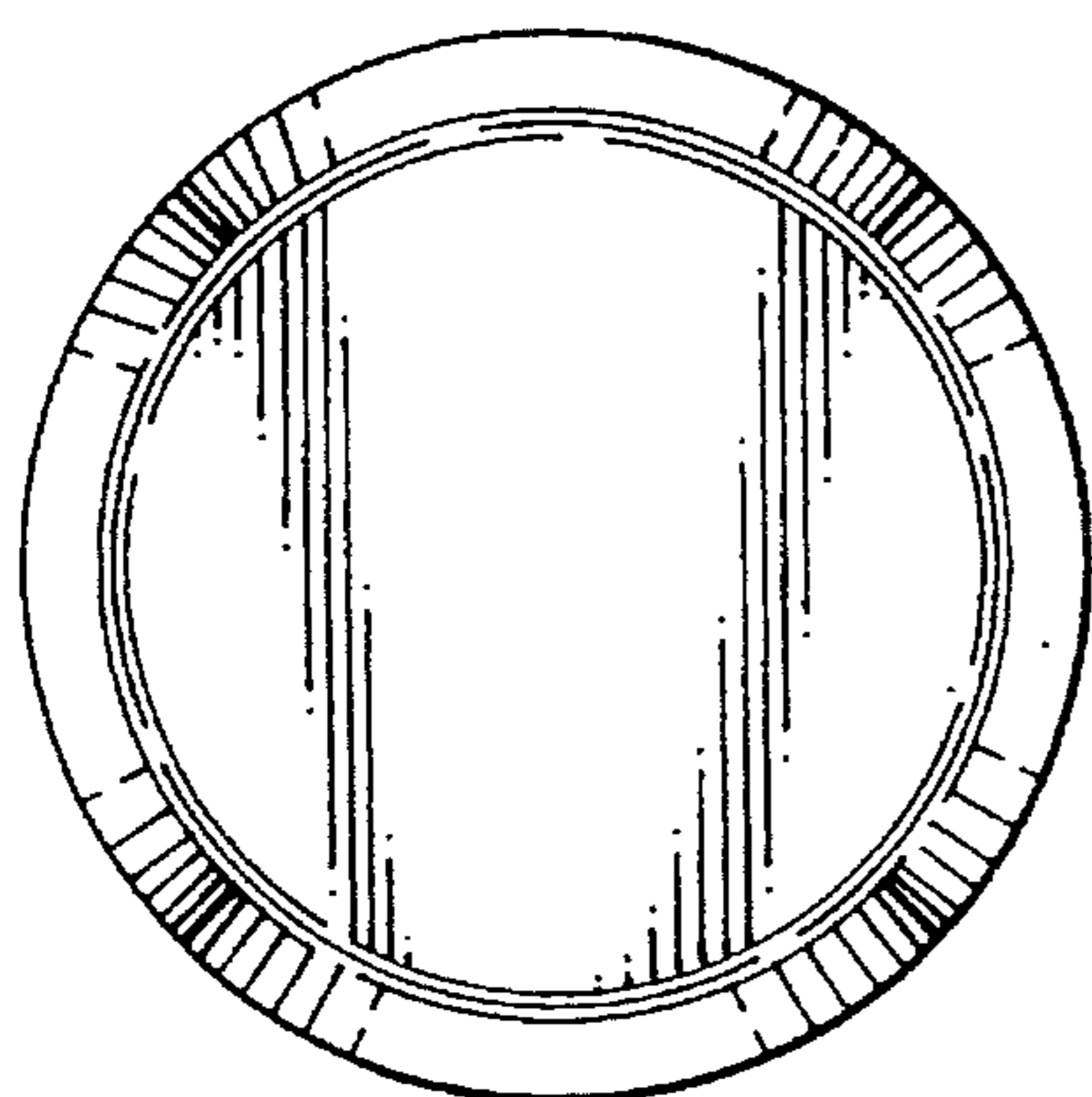


FIG. 5

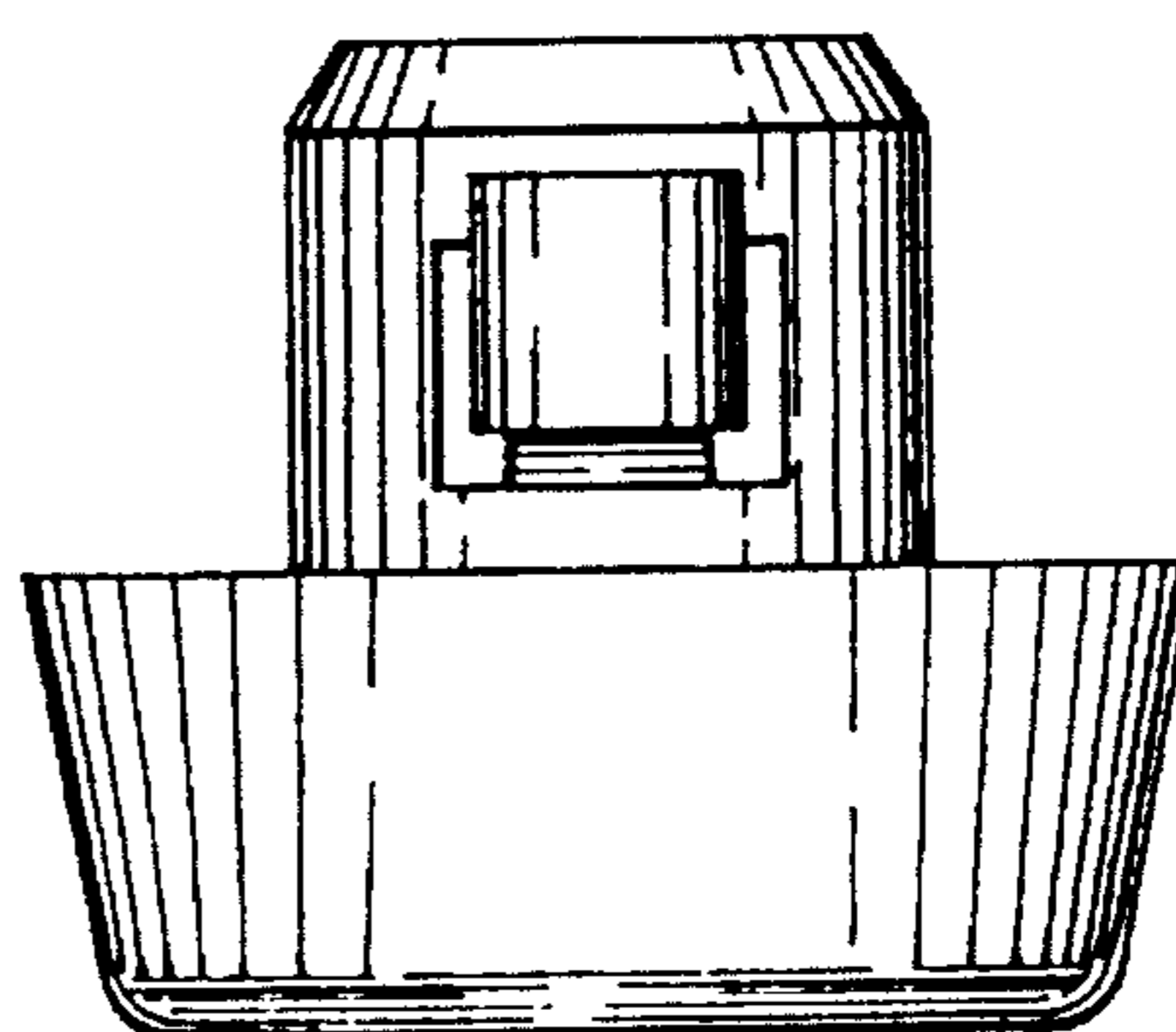


FIG. 6

