



US00D377447S

United States Patent [19]

Blye

[11] Patent Number: **Des. 377,447**

[45] Date of Patent: ****Jan. 21, 1997**

[54] **CASE FOR RETRACTABLY HOLDING AN ELONGATED FLEXIBLE OBJECT**

D. 314,665 2/1991 Wu et al. D8/358 X
D. 360,822 8/1995 Anderson D8/358

[75] Inventor: **Bruce A. Blye**, Woodland Hills, Calif.

Primary Examiner—Holly H. Baynham

[73] Assignee: **National Electric Mfg. Corp.**,
Commerce, Calif.

[57] **CLAIM**

[**] Term: **14 Years**

The ornamental design for a case for retractably holding an elongated flexible object, as shown.

[21] Appl. No.: **49,569**

DESCRIPTION

[22] Filed: **Jan. 29, 1996**

[52] U.S. Cl. **D8/358**

[58] Field of Search D8/358-359; D13/140;
191/12.2, 12.4; 242/129.62, 395, 405.3,
128, 598.5

FIG. 1 is a perspective view showing the front, bottom and right side of the case for holding an elongated flexible object showing my new design;

FIG. 2 is a top plan view reduced in scale;

FIG. 3 is a left side view thereof;

FIG. 4 is a front view thereof;

FIG. 5 is a right side view thereof;

FIG. 6 is a back view thereof; and,

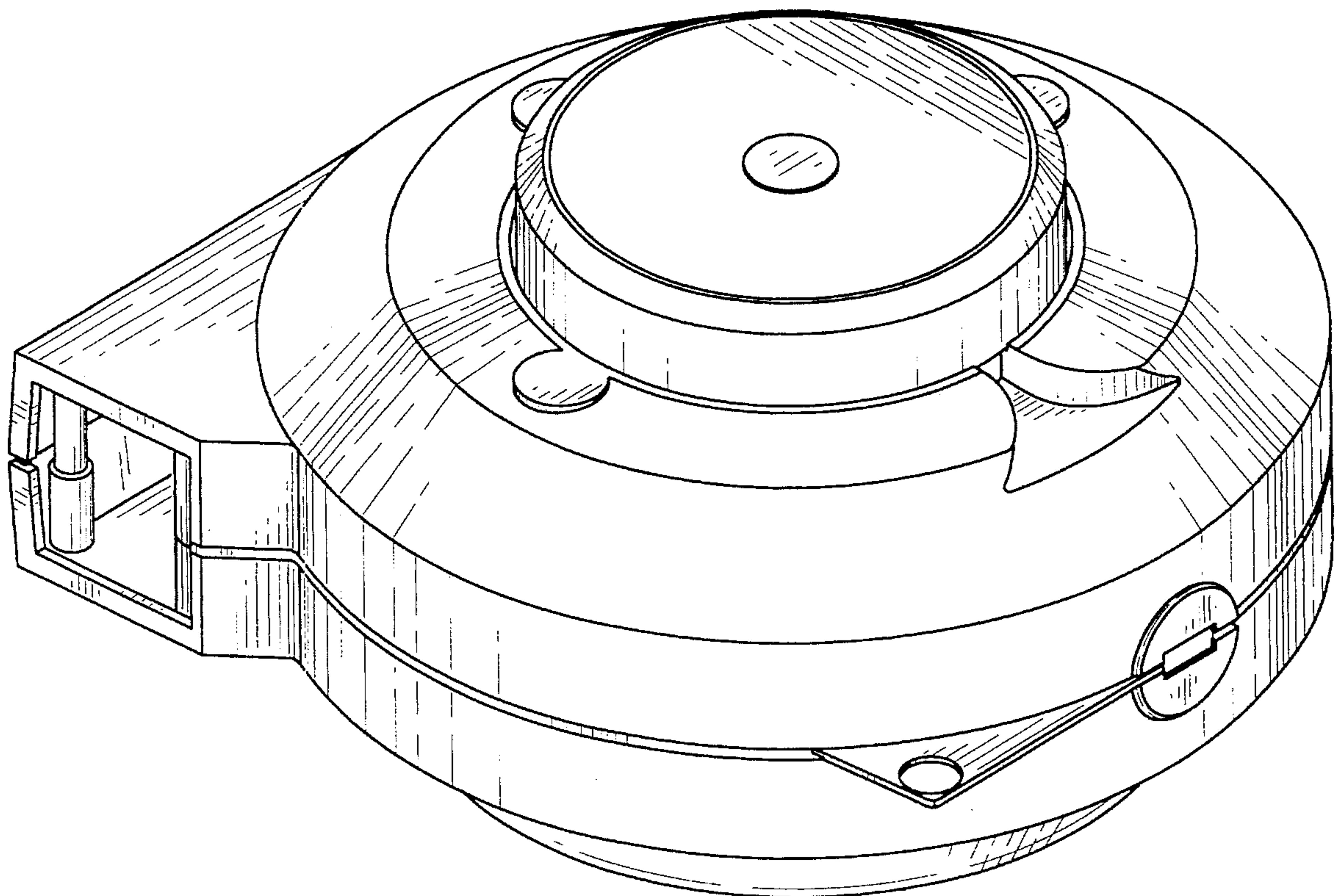
FIG. 7 is a bottom view thereof.

[56] **References Cited**

U.S. PATENT DOCUMENTS

D. 289,851 5/1987 Huen D8/358

1 Claim, 2 Drawing Sheets



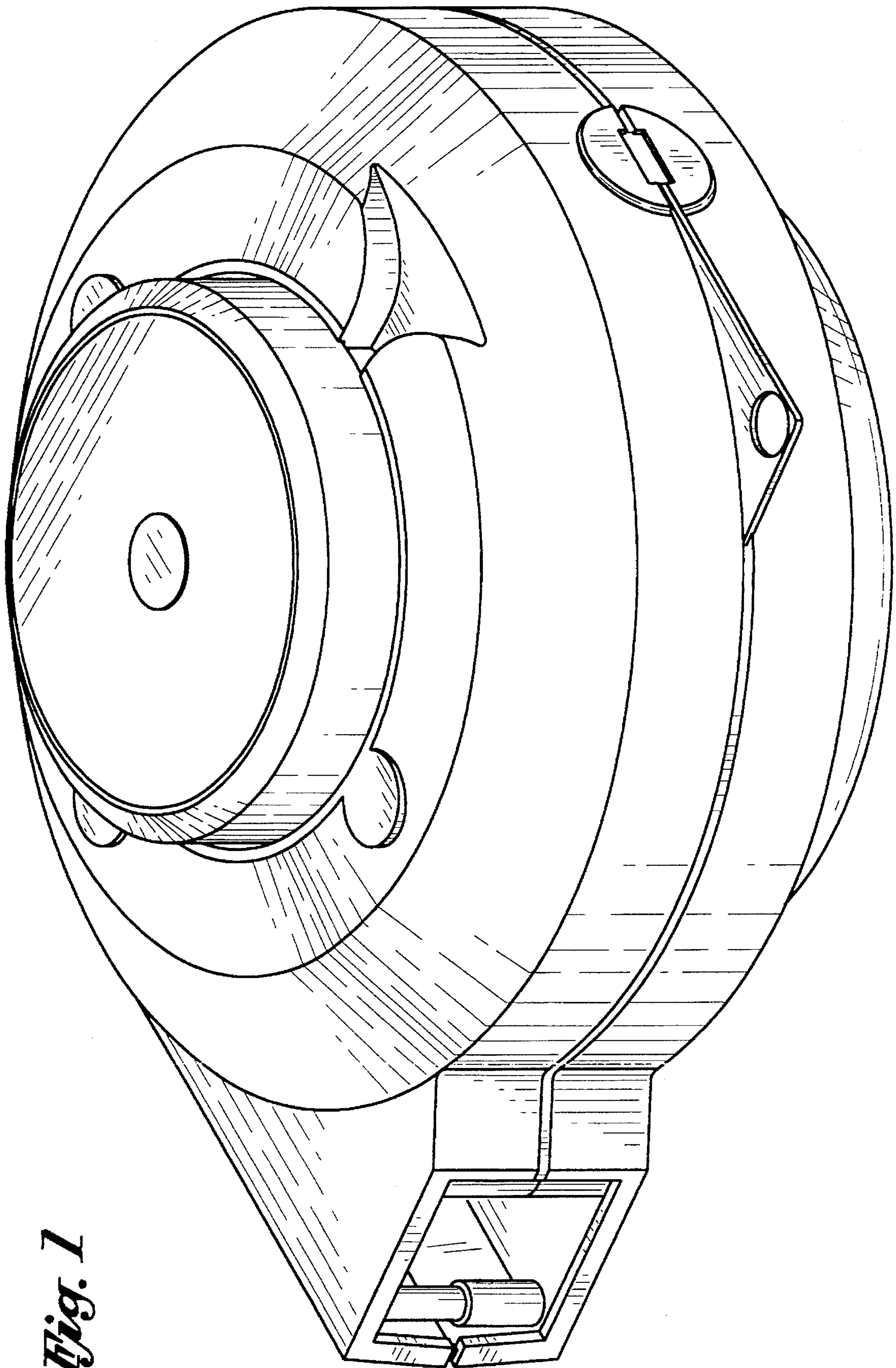


Fig. 1

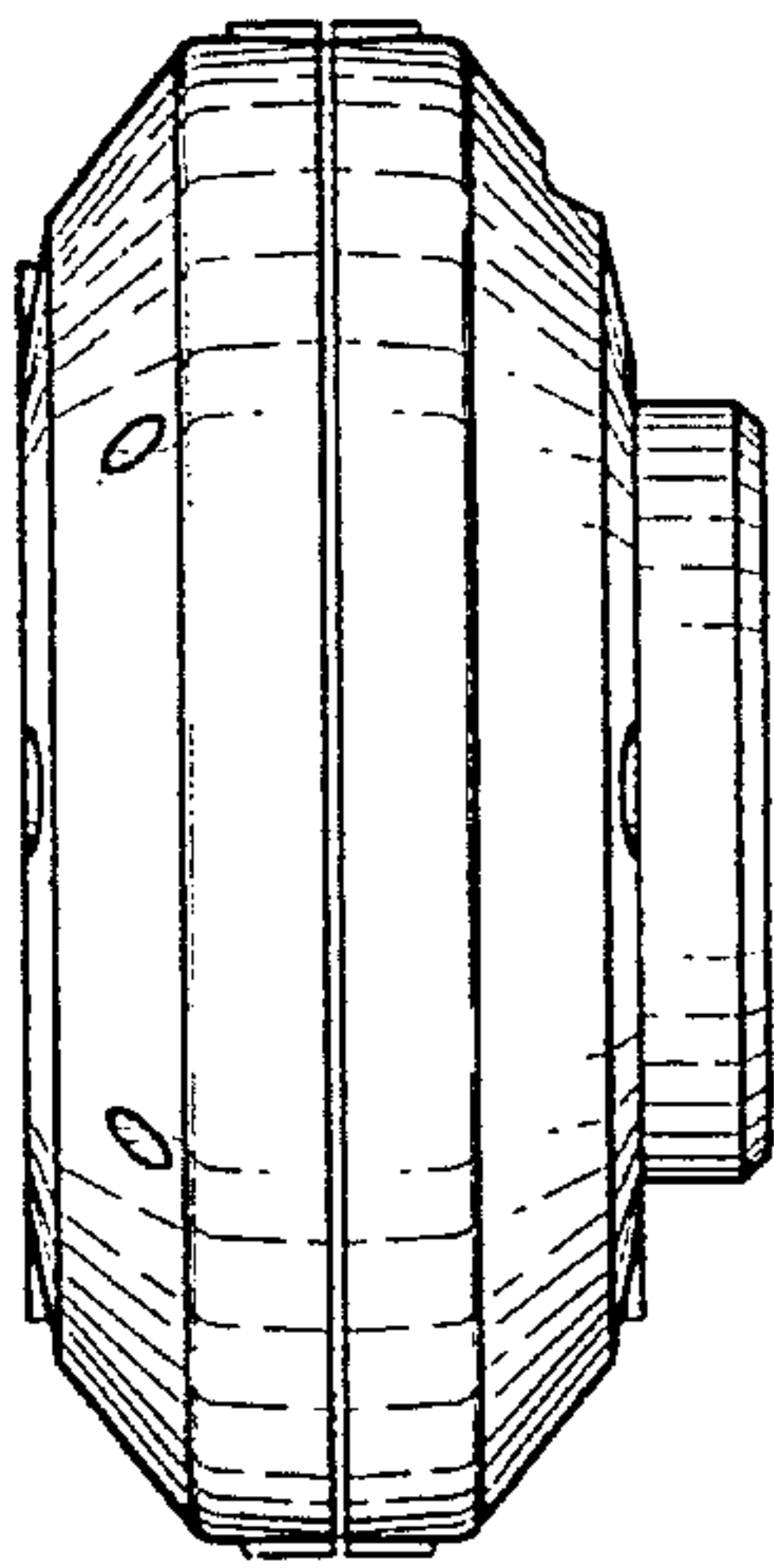


Fig. 2

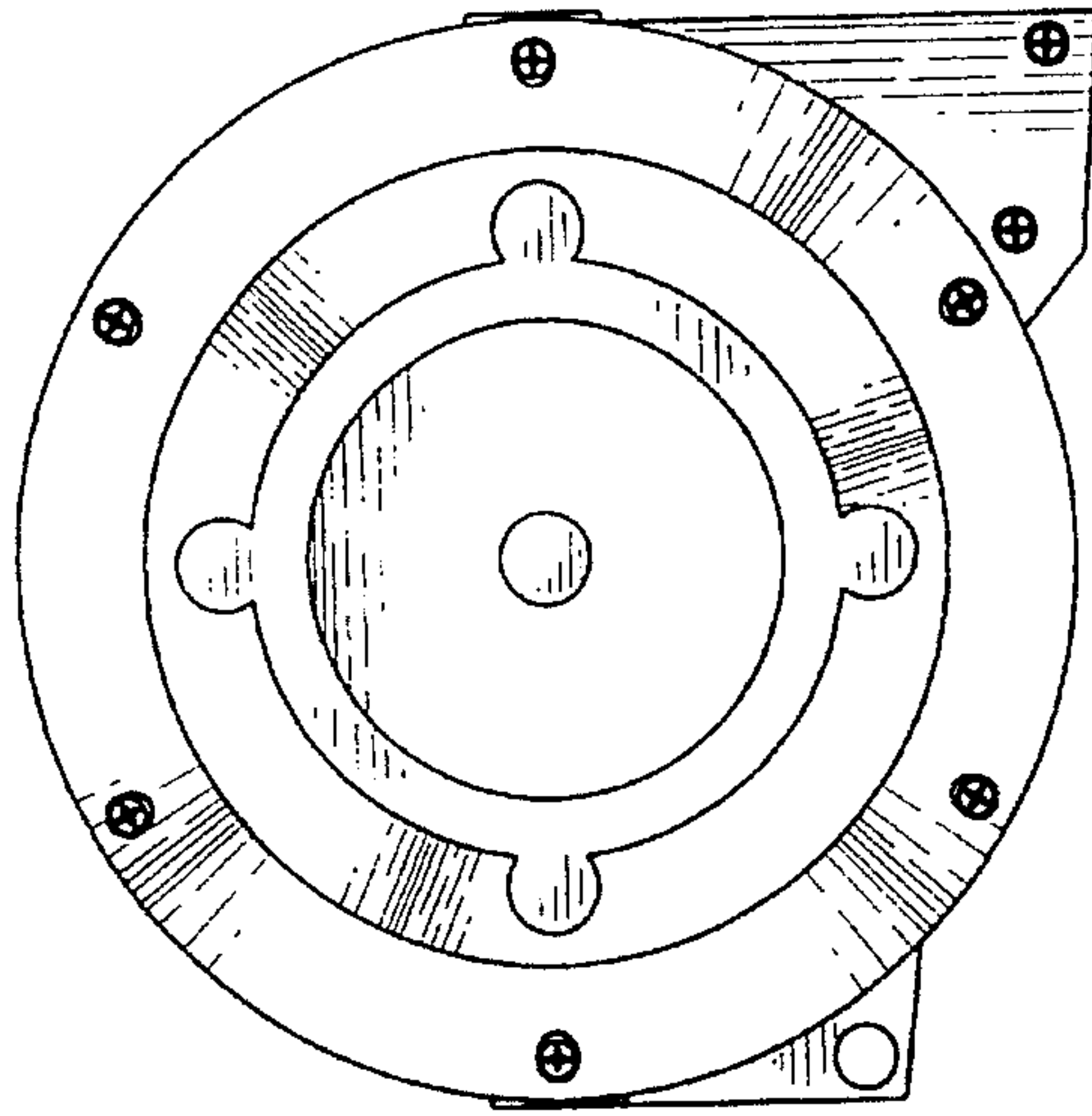


Fig. 6

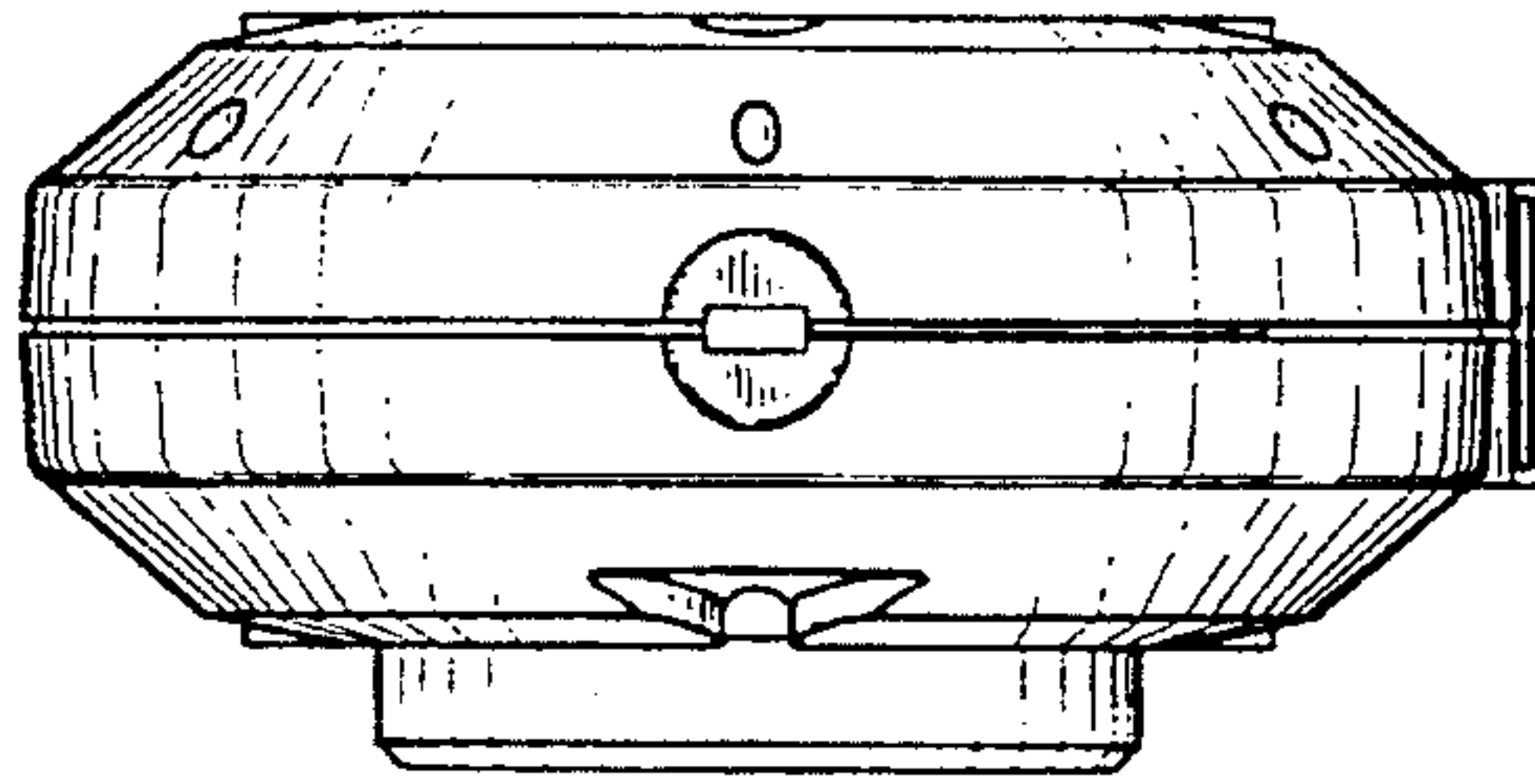


Fig. 5

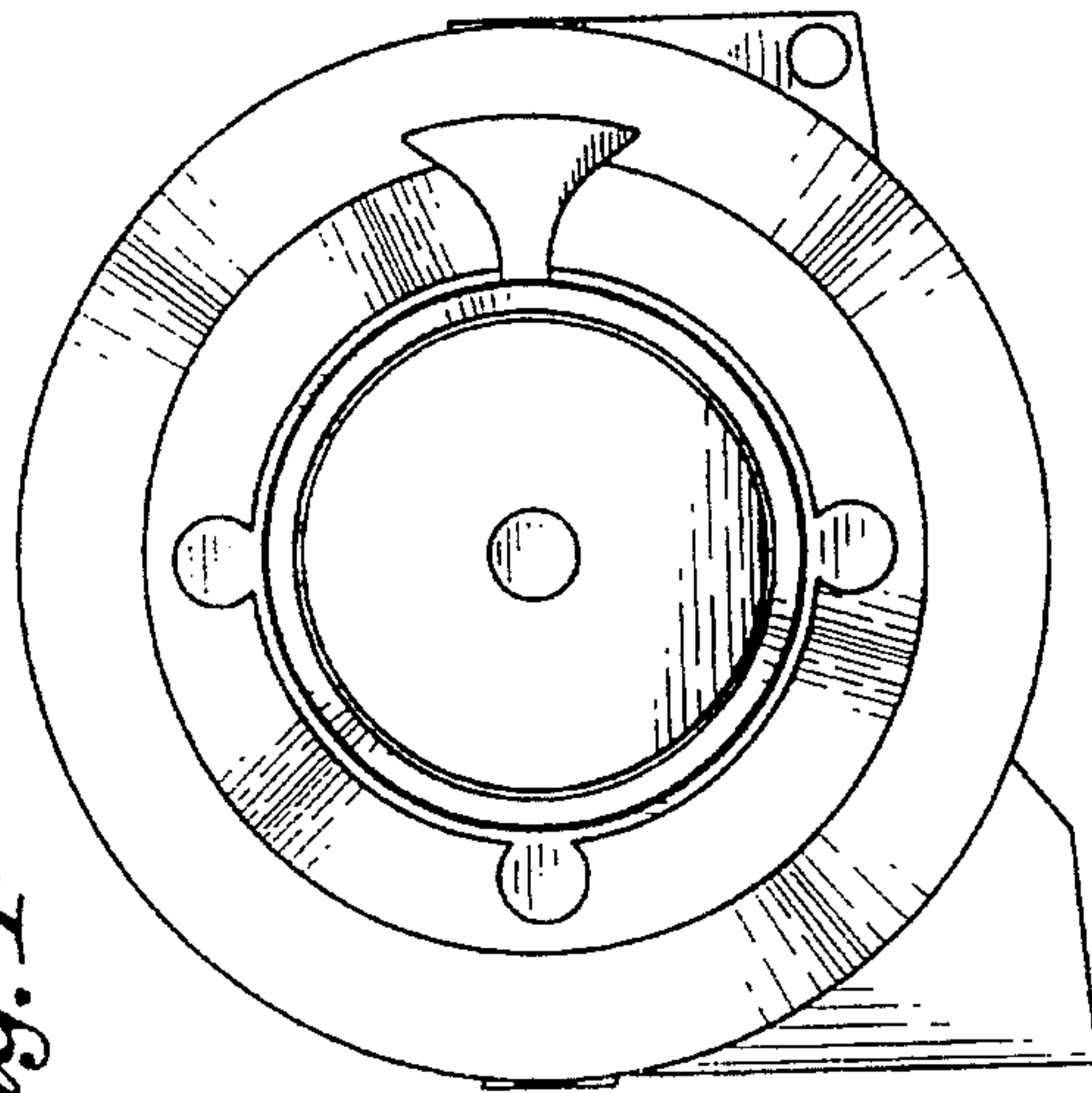


Fig. 4

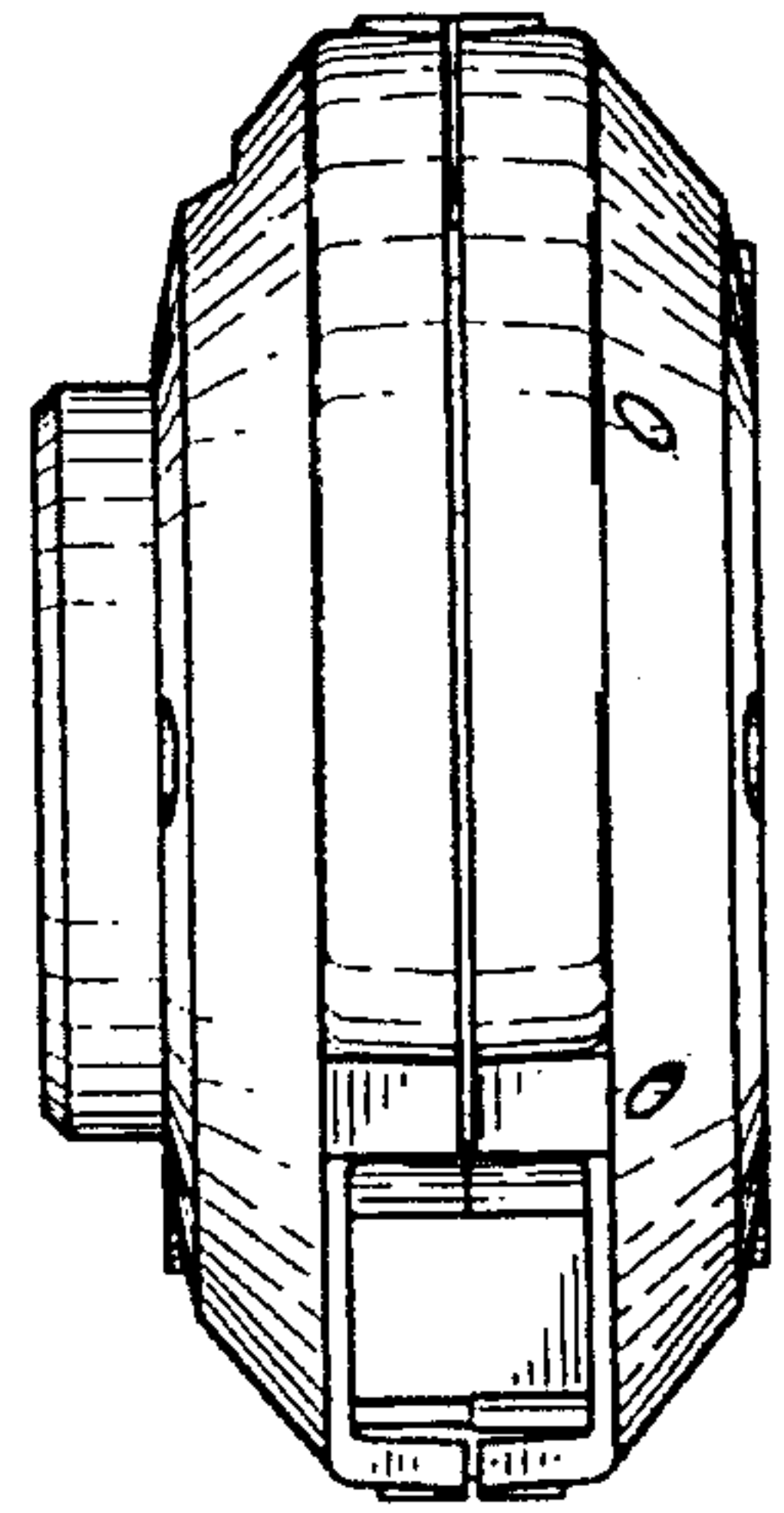


Fig. 7

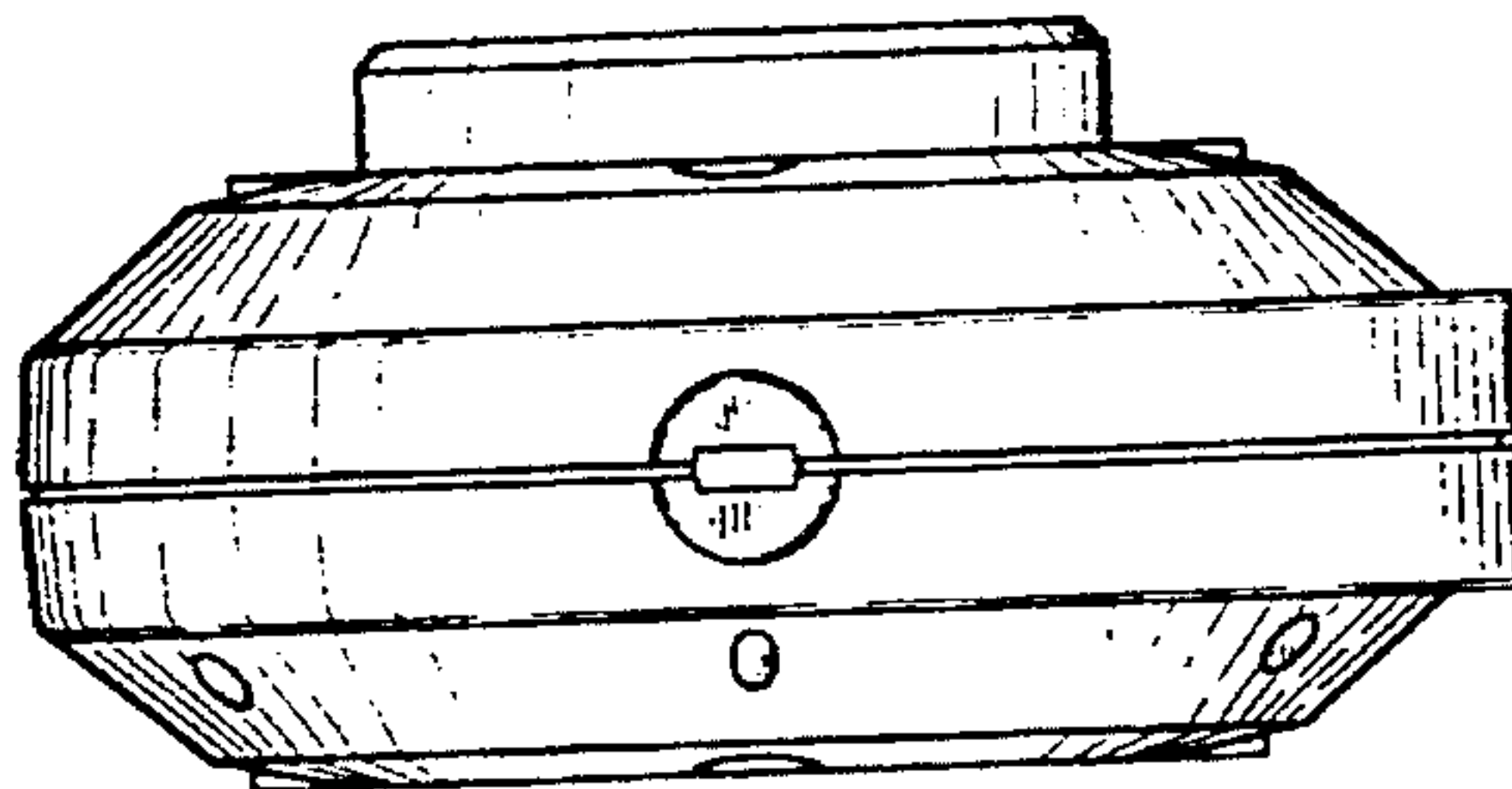


Fig. 3