



US00D377442S

United States Patent [19] Kikuchi

[11] Patent Number: **Des. 377,442**

[45] Date of Patent: ****Jan. 21, 1997**

[54] **T-HANDLE DRILL**

[75] Inventor: **Naoki Kikuchi**, Chandler, Ariz.

[73] Assignee: **Ryobi North America, Inc.**, Easley, S.C.

[**] Term: **14 Years**

9402042	9/1993	Germany .
9406883	3/1994	Germany .
9401137	8/1994	Germany .
595750	1/1989	Japan .
595750	3/1989	Japan .
894180	12/1993	Japan .
826221	4/1994	Japan .

OTHER PUBLICATIONS

New Equipment Digest, Sep. 1984, p. 48, disclosing a Milwaukee 3/8" Driver/Drill.

Hardware Age, Oct. 1986, p. 130, disclosing 3/8", two-speed cordless driver drill made by Truecraft Tools.

Compilation of drill designs from 1975-1990, dated 1990.

Primary Examiner—James M. Gandy

Assistant Examiner—Robert M. Spear

Attorney, Agent, or Firm—Brooks & Kuhsman P.C.

[21] Appl. No.: **41,830**

[22] Filed: **Jul. 25, 1995**

[52] **U.S. Cl.** **D8/68**

[58] **Field of Search** D8/61, 68; 81/54, 81/57.11, 57.13, 57.14, 177.4; 173/170; 239/525, 526, 527, 528, 589; 408/124, 125

[56] References Cited

U.S. PATENT DOCUMENTS

D. 295,714	5/1988	Sasaki et al. .	
D. 296,655	7/1988	Yonezawa et al. .	
D. 320,917	10/1991	Fushiya et al. .	
D. 323,606	2/1992	Chang .	
D. 327,619	7/1992	Tsai .	
D. 329,580	9/1992	Sasaki et al. .	
D. 335,073	4/1993	Anthony et al. .	
D. 339,046	9/1993	Fushiya et al. .	
D. 340,394	10/1993	Okumura .	
D. 340,396	10/1993	Ichikawa .	
D. 342,430	12/1993	Saito et al. .	
D. 345,682	4/1994	Sasaki et al. .	
D. 362,167	9/1995	Zurwelle	D8/68
5,230,261	7/1993	Akazawa et al.	81/54

FOREIGN PATENT DOCUMENTS

9202349	10/1991	Germany .
9401141	8/1993	Germany .

[57] CLAIM

The ornamental design of a T-handle drill, as shown and described.

DESCRIPTION

FIG. 1 is a right side elevational view of a T-handle drill showing our new design;

FIG. 2 is a left side elevational view;

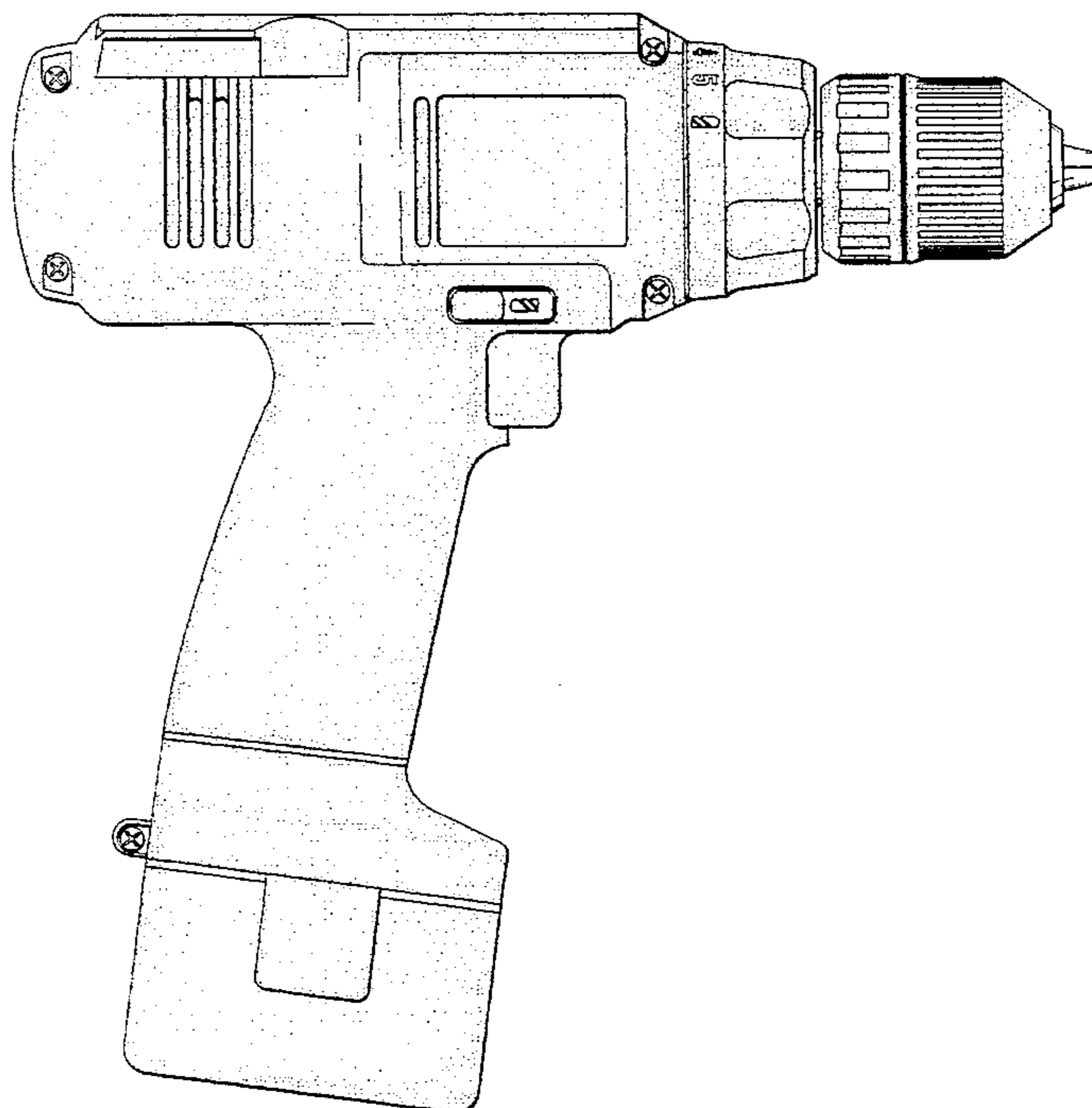
FIG. 3 is a front elevational view;

FIG. 4 is a rear elevational view;

FIG. 5 is a top plan view; and,

FIG. 6 is a bottom plan view.

1 Claim, 4 Drawing Sheets



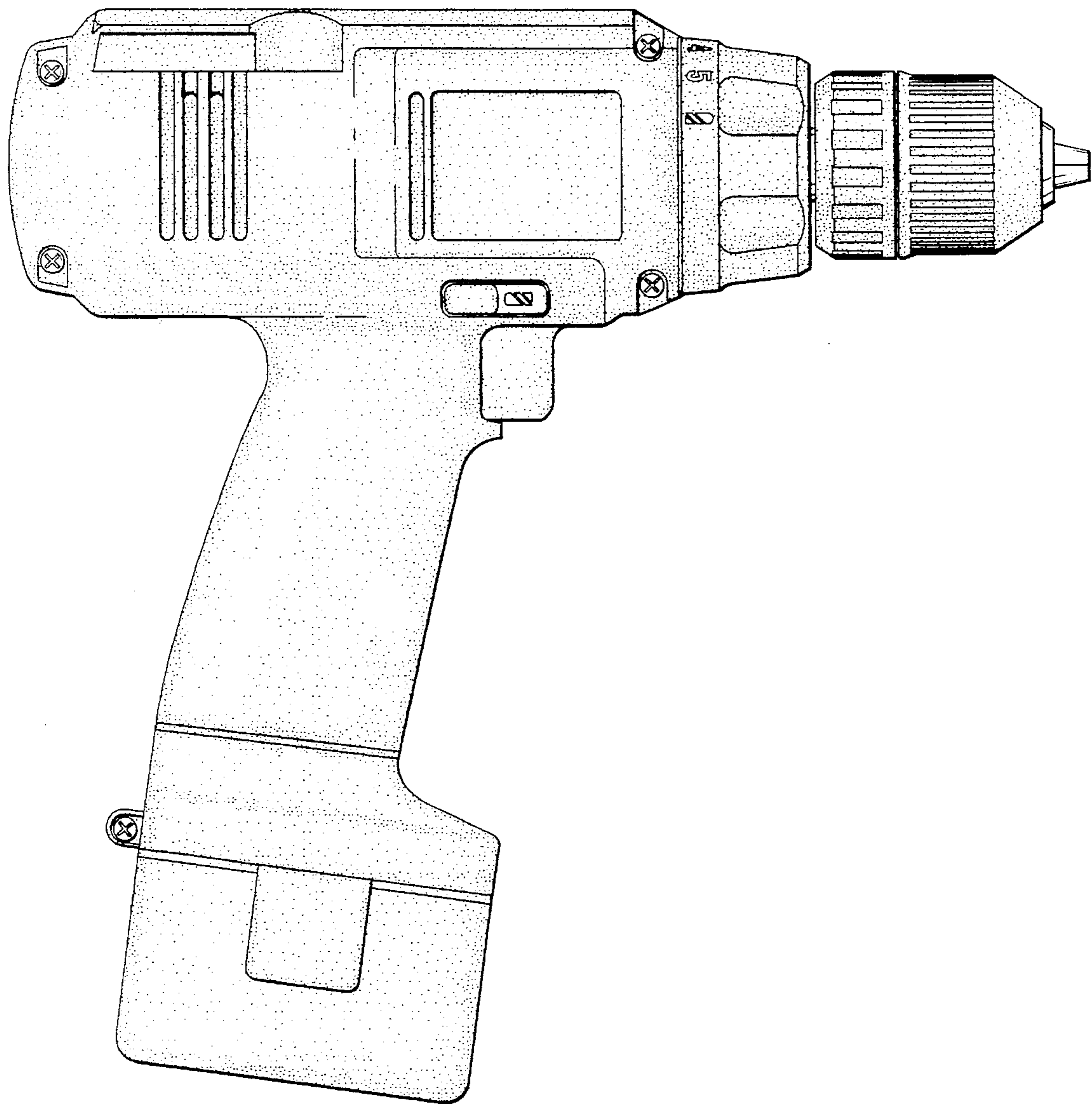


Fig. 1

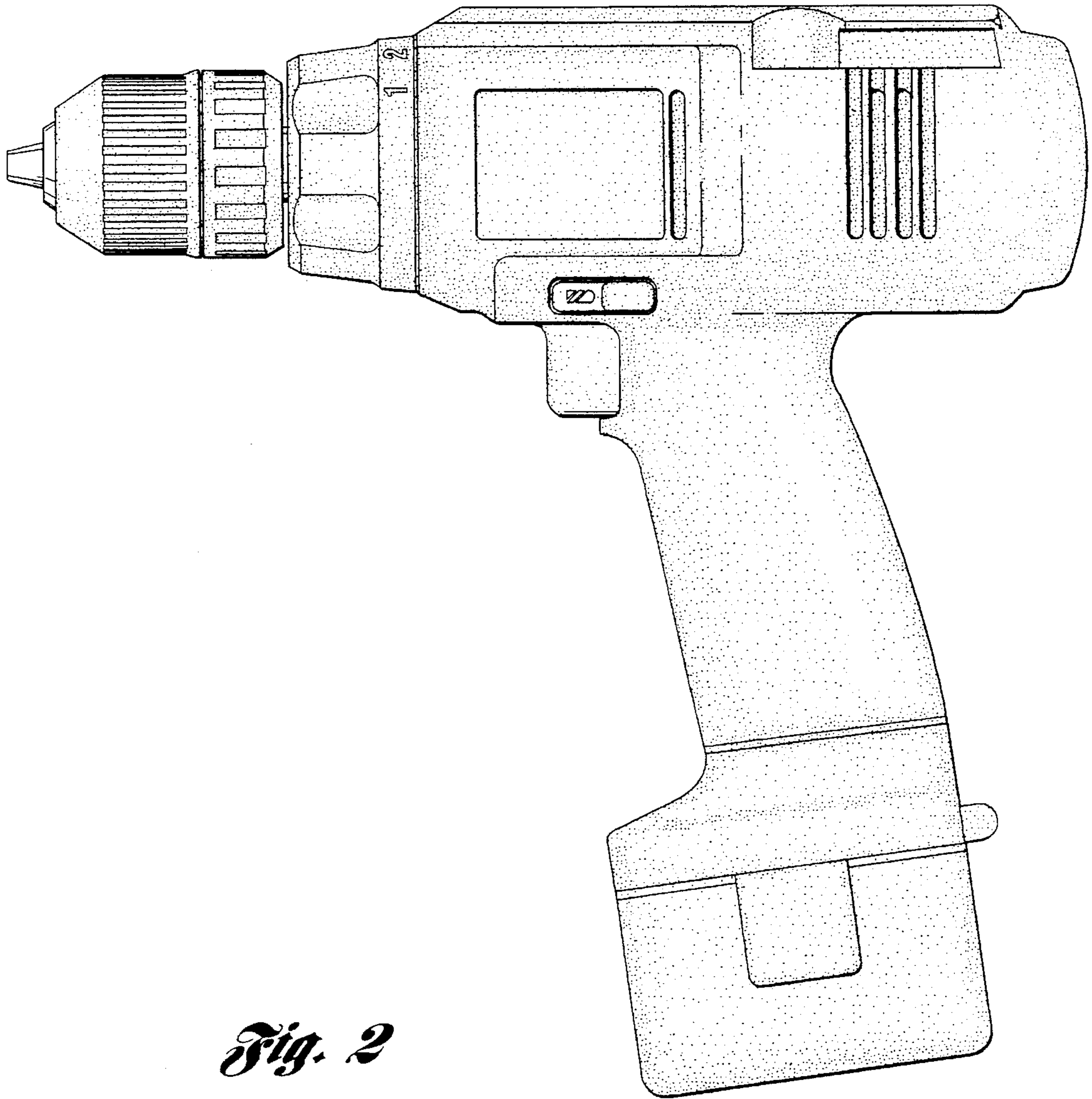


Fig. 2

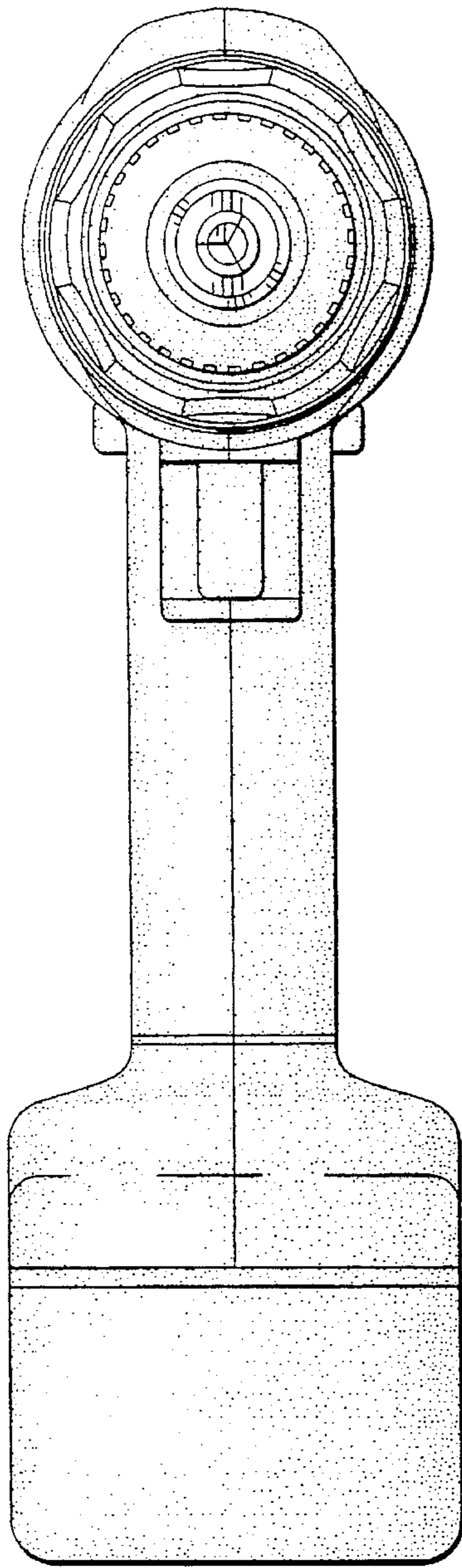


Fig. 3

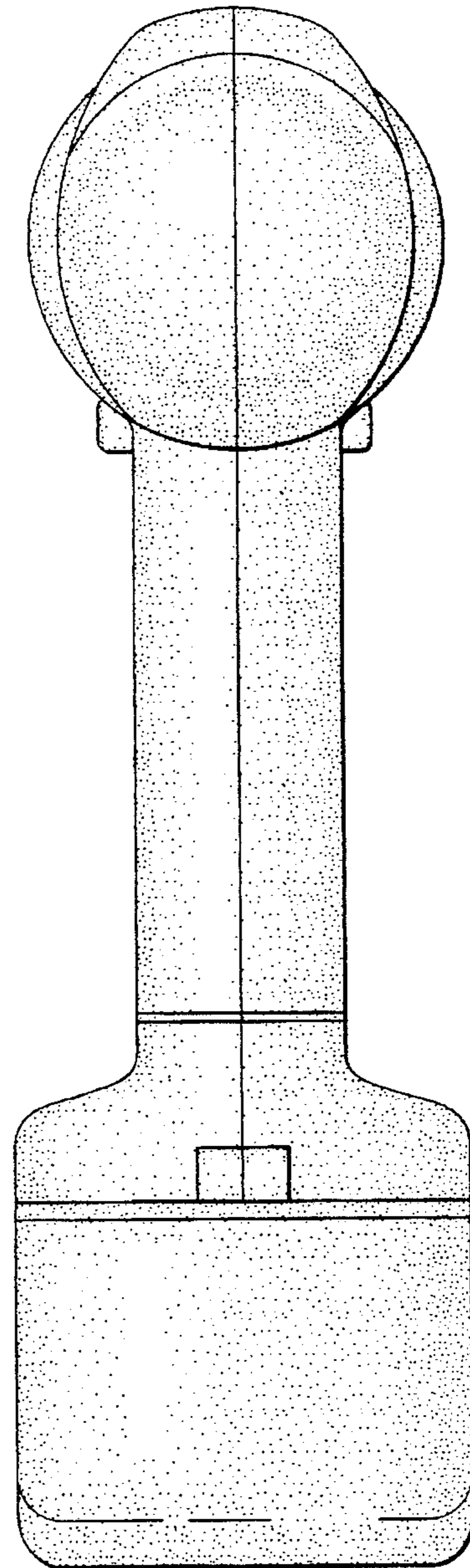


Fig. 4

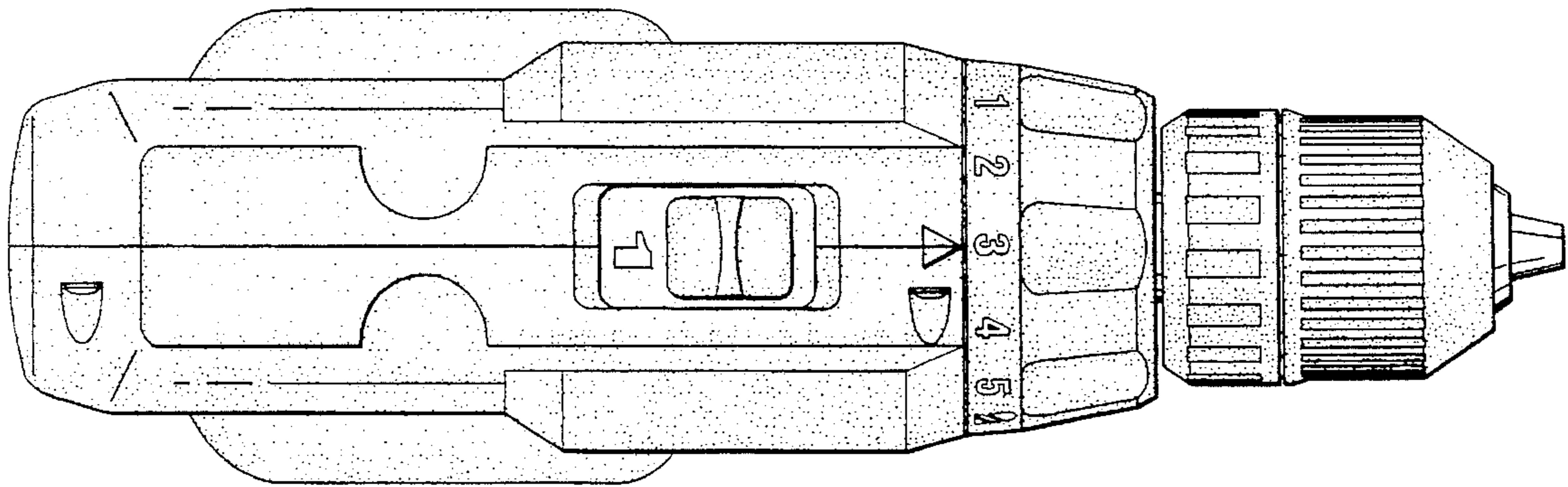


Fig. 5

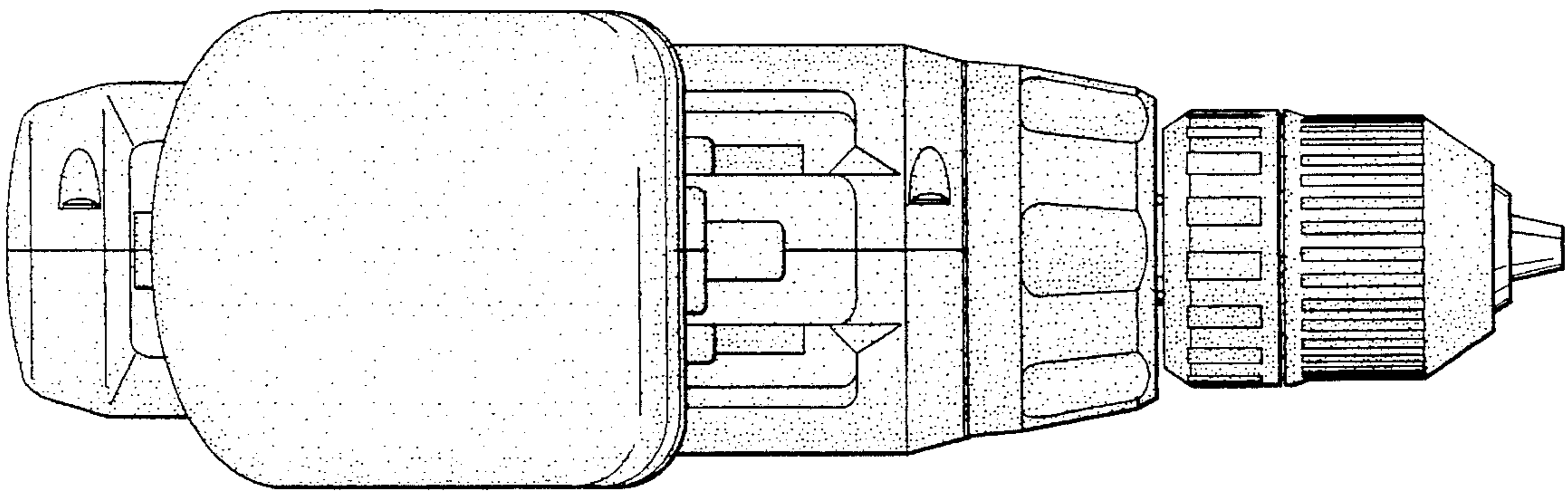


Fig. 6