



US00D377441S

United States Patent [19]

Hoppner et al.

[11] Patent Number: **Des. 377,441**

[45] Date of Patent: ****Jan. 21, 1997**

[54] **MOTOR-DRIVEN CHAIN SAW**

D. 365,262 12/1995 Beaulieu et al. D8/65
4,939,842 7/1990 Rebhan 30/386

[75] Inventors: **Klaus Hoppner**, Marbach; **Gerd Fricke**, Waiblingen; **Michael Tinius**, Elchingen, all of Germany

Primary Examiner—Antoine Duval Davis
Attorney, Agent, or Firm—Walter Ottesen

[73] Assignee: **Andreas Stihl**, Waiblingen, Germany

[57] **CLAIM**

[**] Term: **14 Years**

The ornamental design for a motor-driven chain saw, as shown and described.

[21] Appl. No.: **49,737**

DESCRIPTION

[22] Filed: **Jan. 31, 1996**

FIG. 1 is a perspective view of a motor-driven chain saw showing our new design;

[30] **Foreign Application Priority Data**

FIG. 2 is a front elevation view thereof;

Aug. 3, 1995 [DE] Germany 95 06 150.9

FIG. 3 is a side elevation view of a first side thereof;

[52] **U.S. Cl.** **D8/65**

FIG. 4 is a side elevation view of a second side thereof;

[58] **Field of Search** D8/65; 30/381-386

FIG. 5 is a rear elevation view of said motor-driven chain saw;

[56] **References Cited**

FIG. 6 is a top plan view thereof; and,

U.S. PATENT DOCUMENTS

FIG. 7 is a bottom plan view thereof.

D. 364,326 11/1995 Lohse et al. D8/65

1 Claim, 7 Drawing Sheets

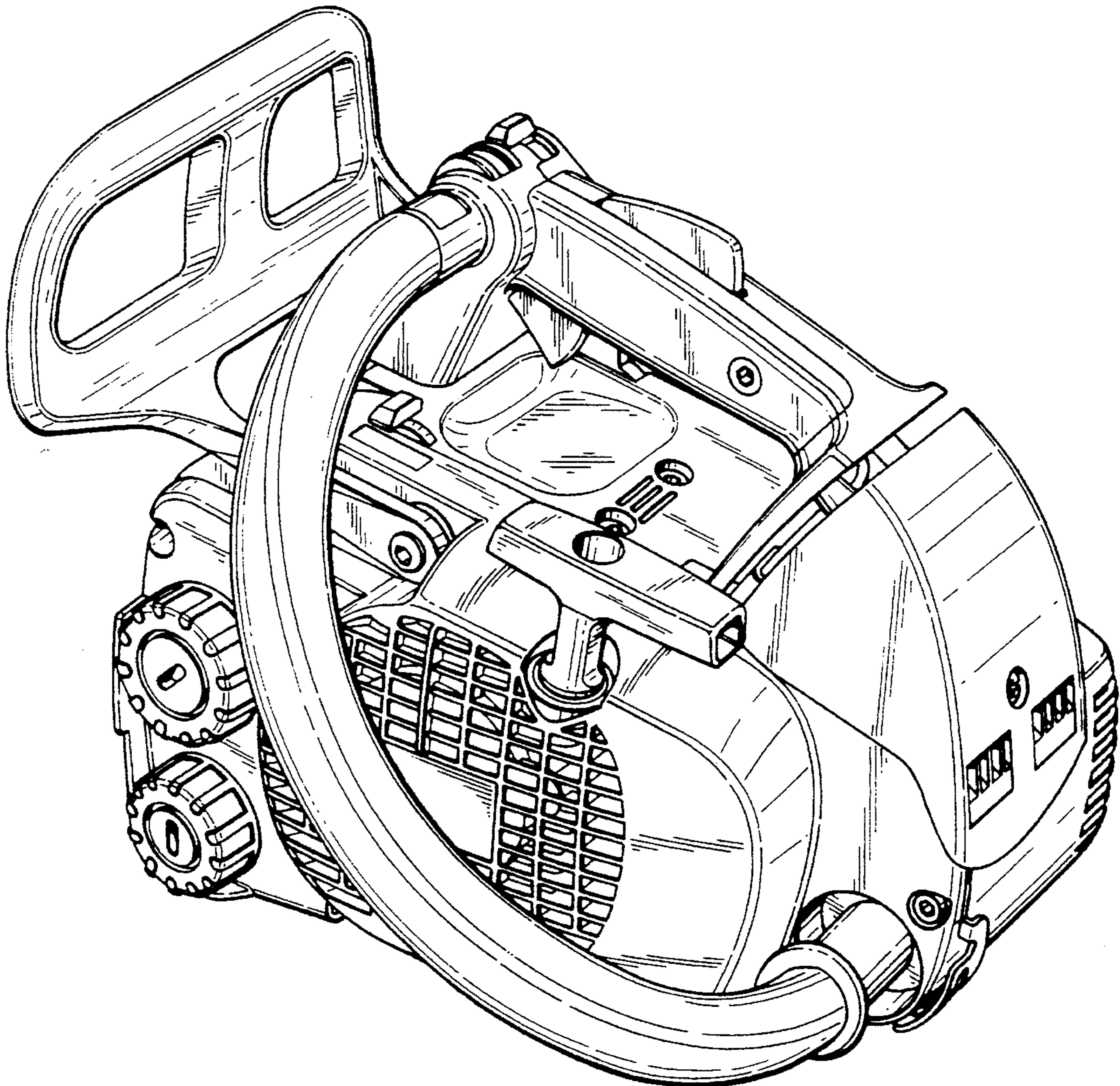


Fig. 1

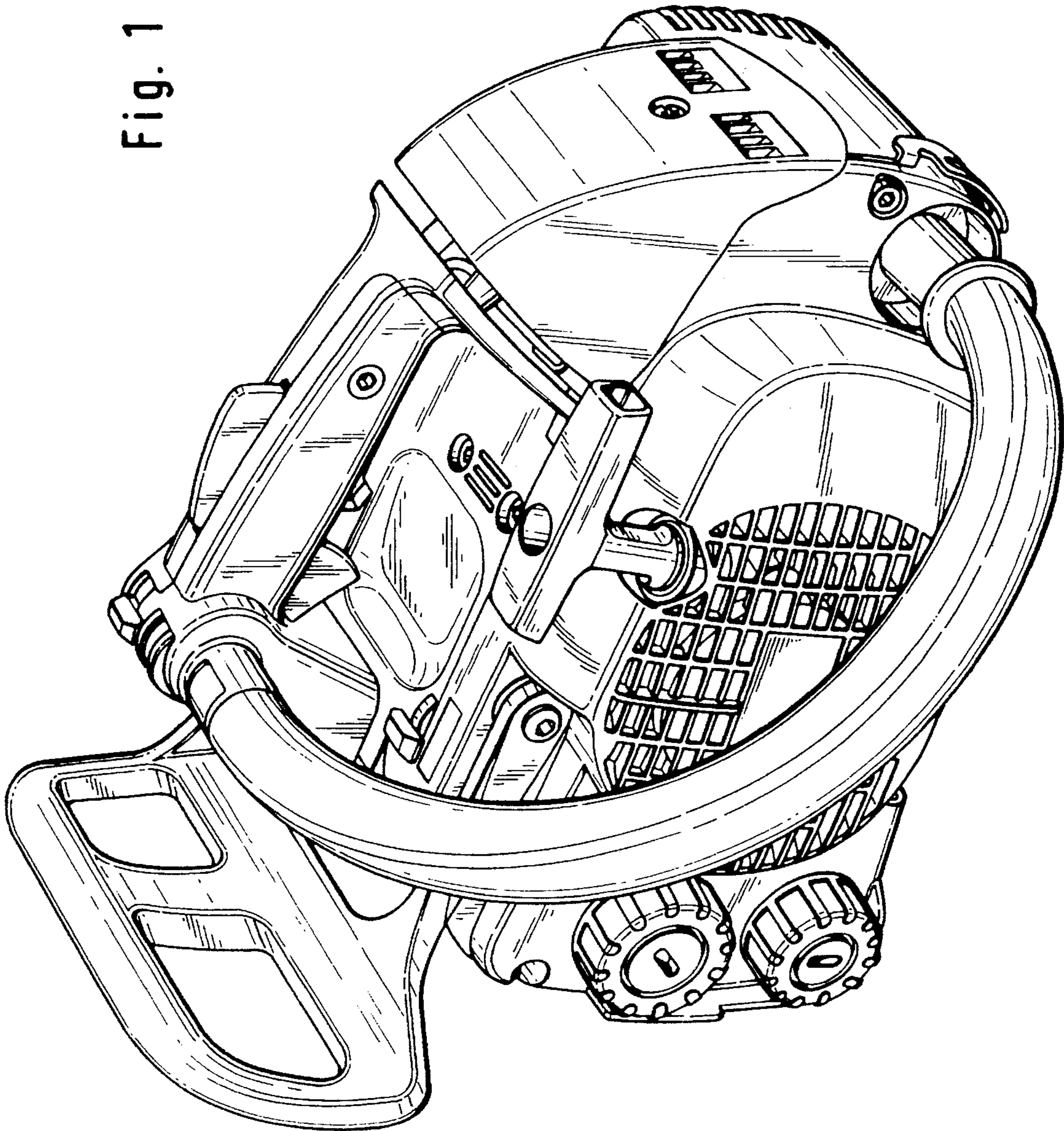


Fig. 2

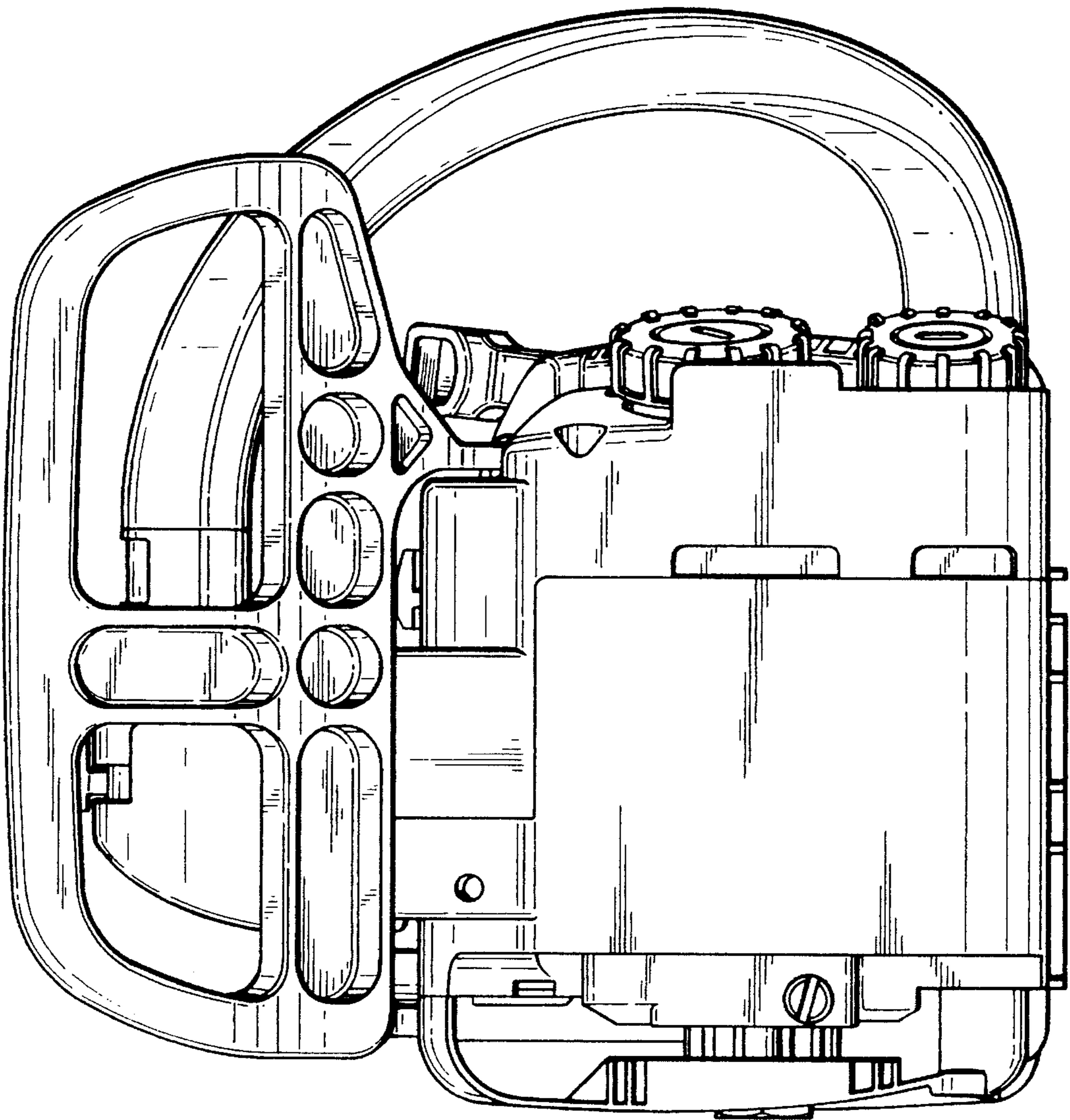


Fig. 3

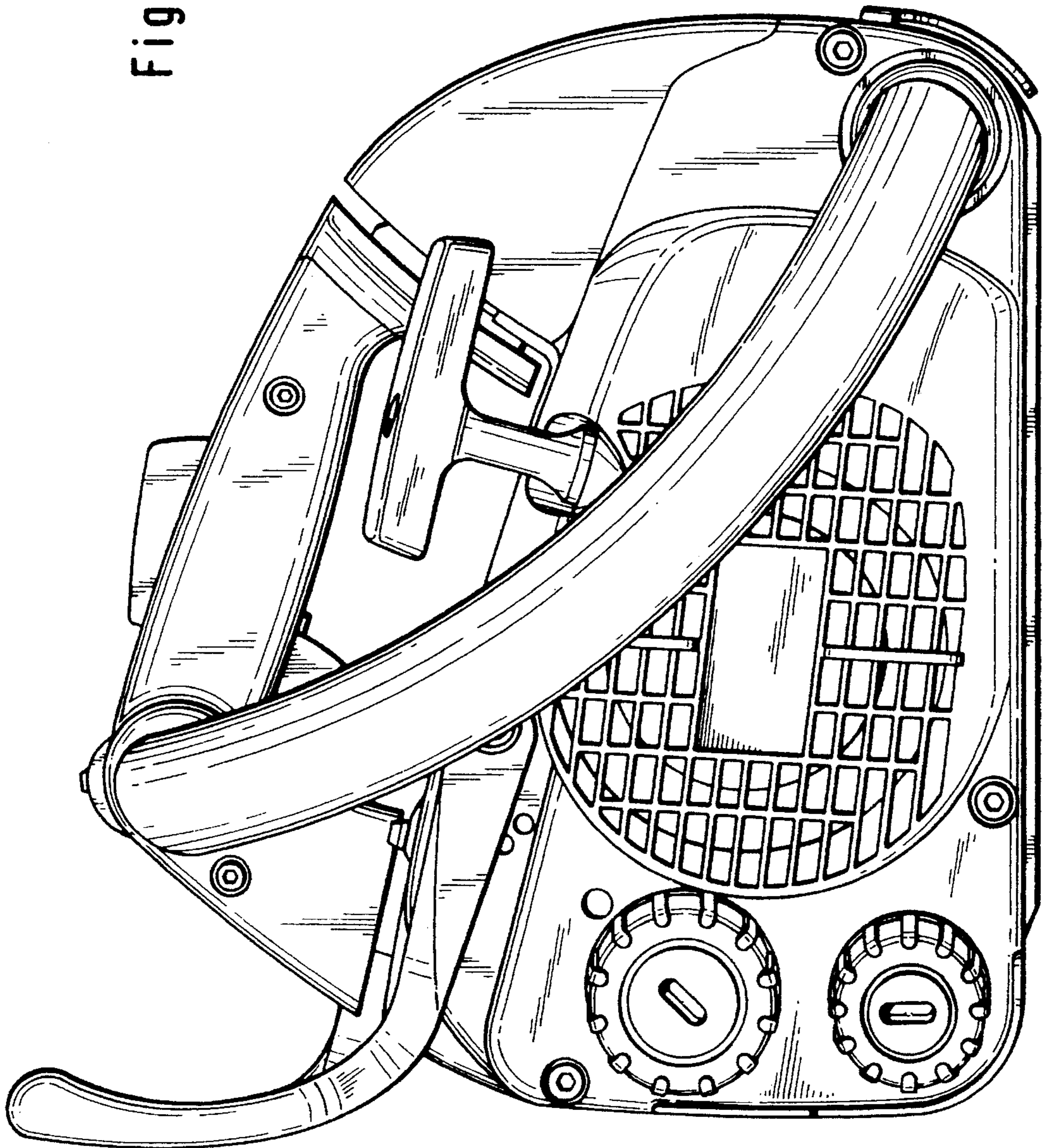


Fig. 4

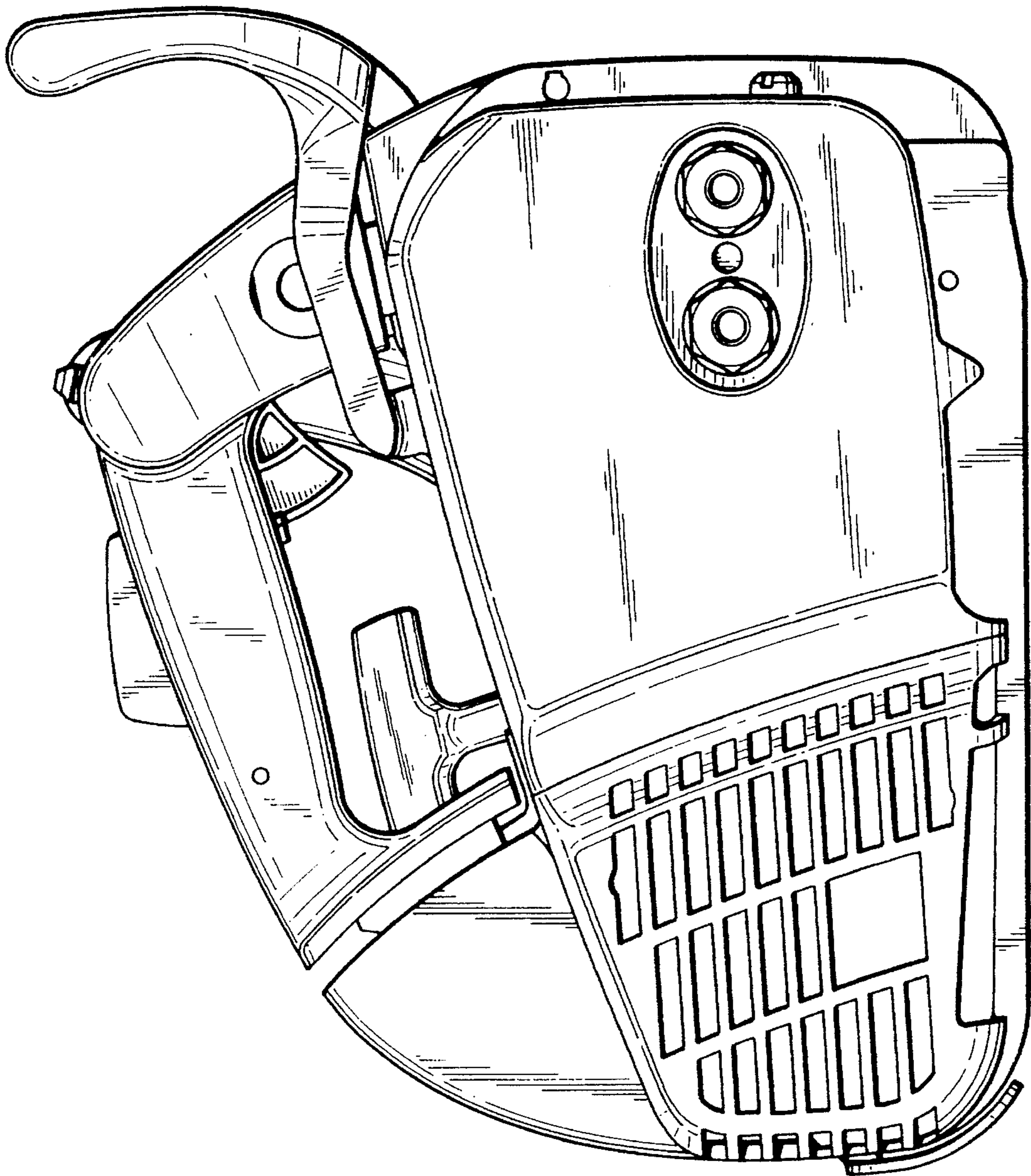


Fig. 5

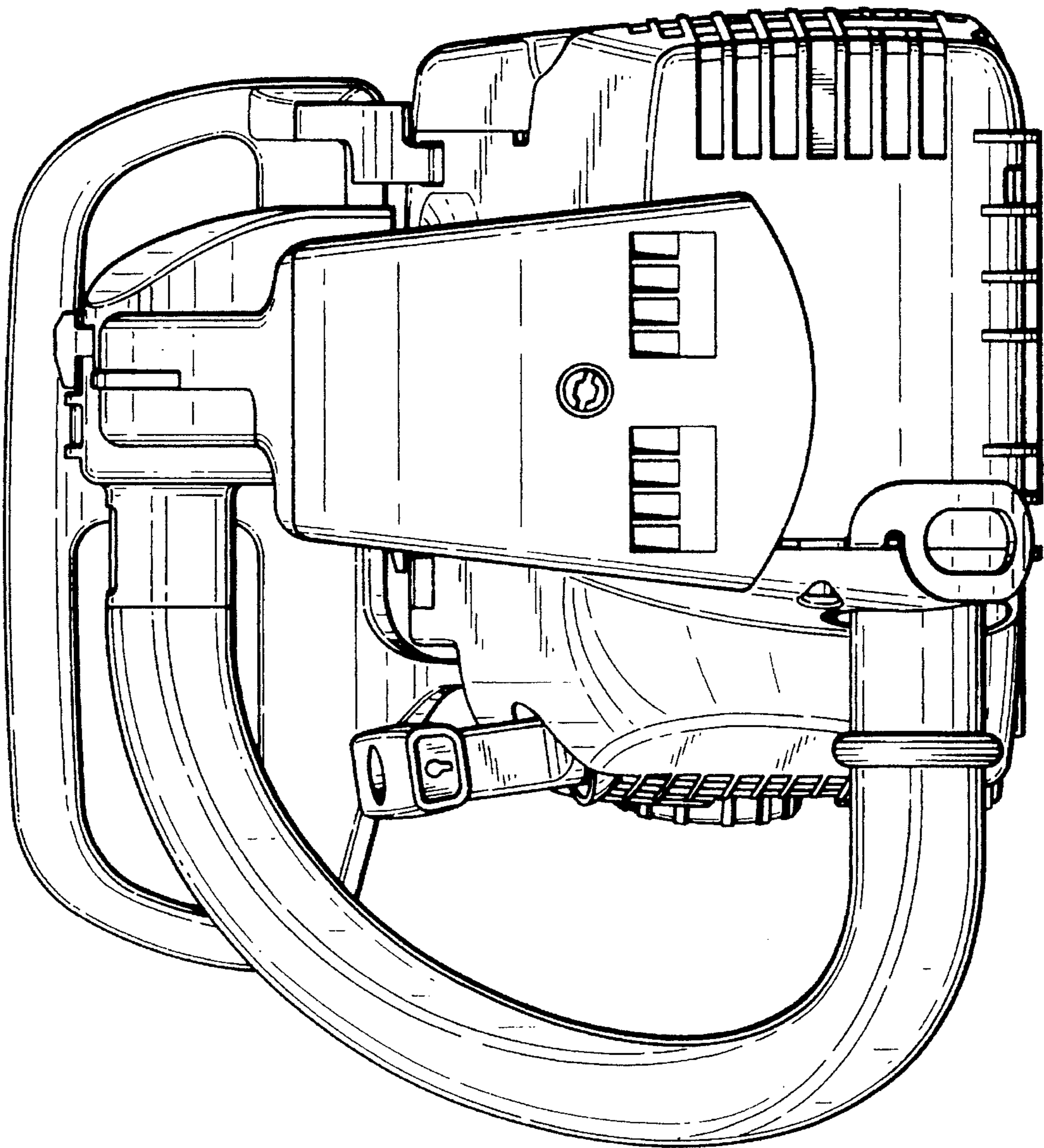


Fig. 6

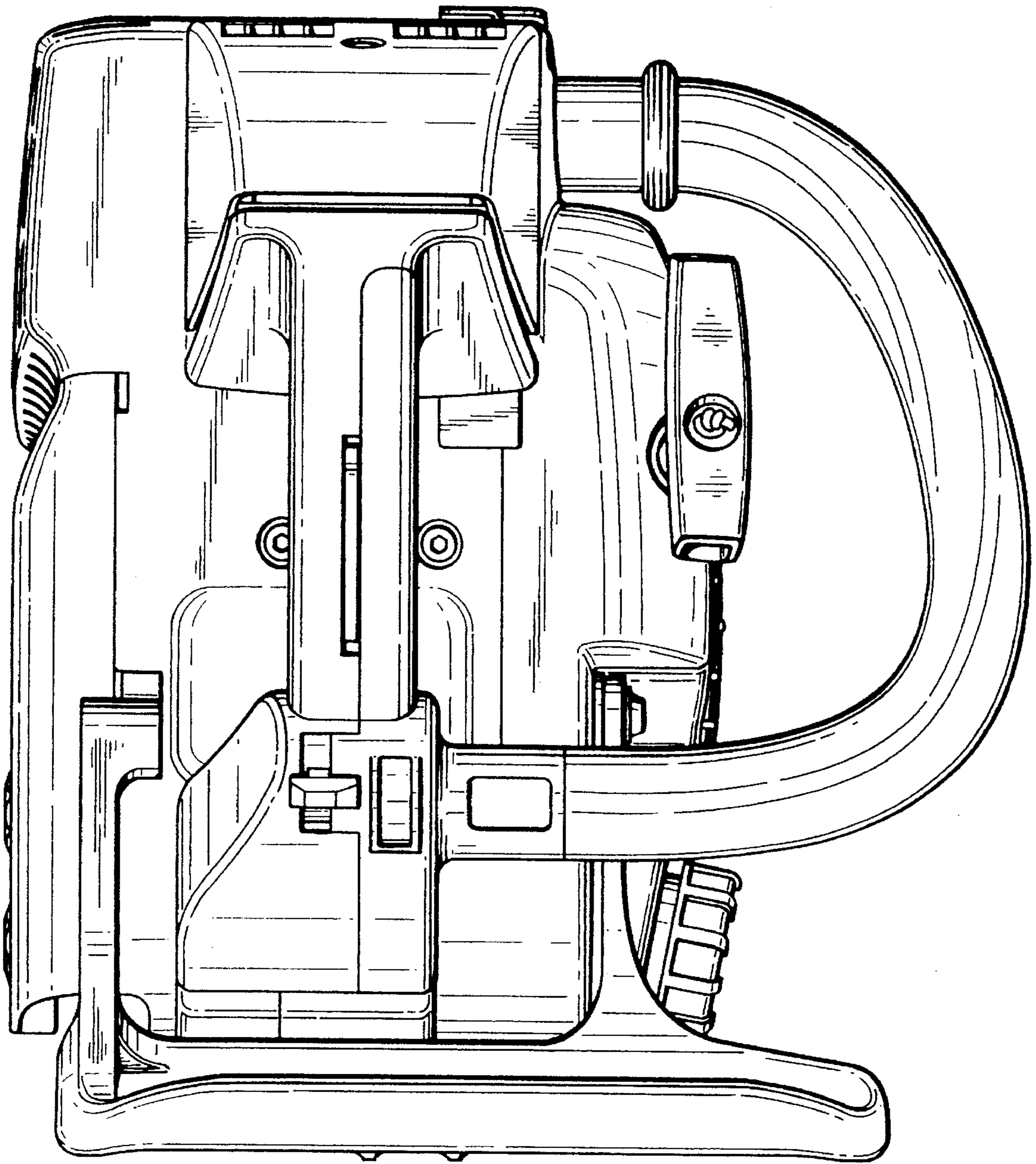


Fig. 7

