



US00D377434S

United States Patent [19]
Hammond

[11] **Patent Number: Des. 377,434**

[45] **Date of Patent: ***Jan. 21, 1997**

[54] **DISC SLEEVE**

[75] Inventor: **Peter J. Hammond**, Auckland, New Zealand

[73] Assignee: **Disk Flik Systems Limited**, Auckland, New Zealand

[*] Notice: The portion of the term of this patent subsequent to Jun. 21, 2008, has been disclaimed.

[**] Term: **14 Years**

[21] Appl. No.: **13,880**

[22] Filed: **Oct. 5, 1993**

[52] U.S. Cl. **D6/626; D6/407**

[58] Field of Search D3/201; D6/407, D6/626, 627, 628, 629, 630, 631, 632, 633, 634, 635; D9/305, 306; D19/32, 33; 40/124.2; 206/312, 313, 244

[56] **References Cited**

U.S. PATENT DOCUMENTS

D. 262,891	2/1982	Nast	D19/33
D. 271,700	2/1983	Boughner et al.	D19/33
D. 286,463	11/1986	Sfikas	D6/632
D. 299,888	2/1989	Maxwell	D6/407
D. 323,428	1/1992	Wang	D6/630

D. 329,943	10/1992	Laszlo	D6/626
D. 333,610	3/1993	Oshry et al.	D9/306
D. 347,994	6/1994	Hammond	D6/626
D. 353,322	12/1994	Oshry et al.	D9/306
4,706,396	11/1987	Nomura	40/124.2
4,905,831	3/1990	Bagdis et al.	206/444
4,951,826	8/1990	Tompkins	D6/407
5,085,318	2/1992	Leverick	206/444

FOREIGN PATENT DOCUMENTS

4-206077	7/1992	Japan	206/444
----------	--------	-------	-------	---------

Primary Examiner—Celia Murphy
Attorney, Agent, or Firm—Young & Thompson

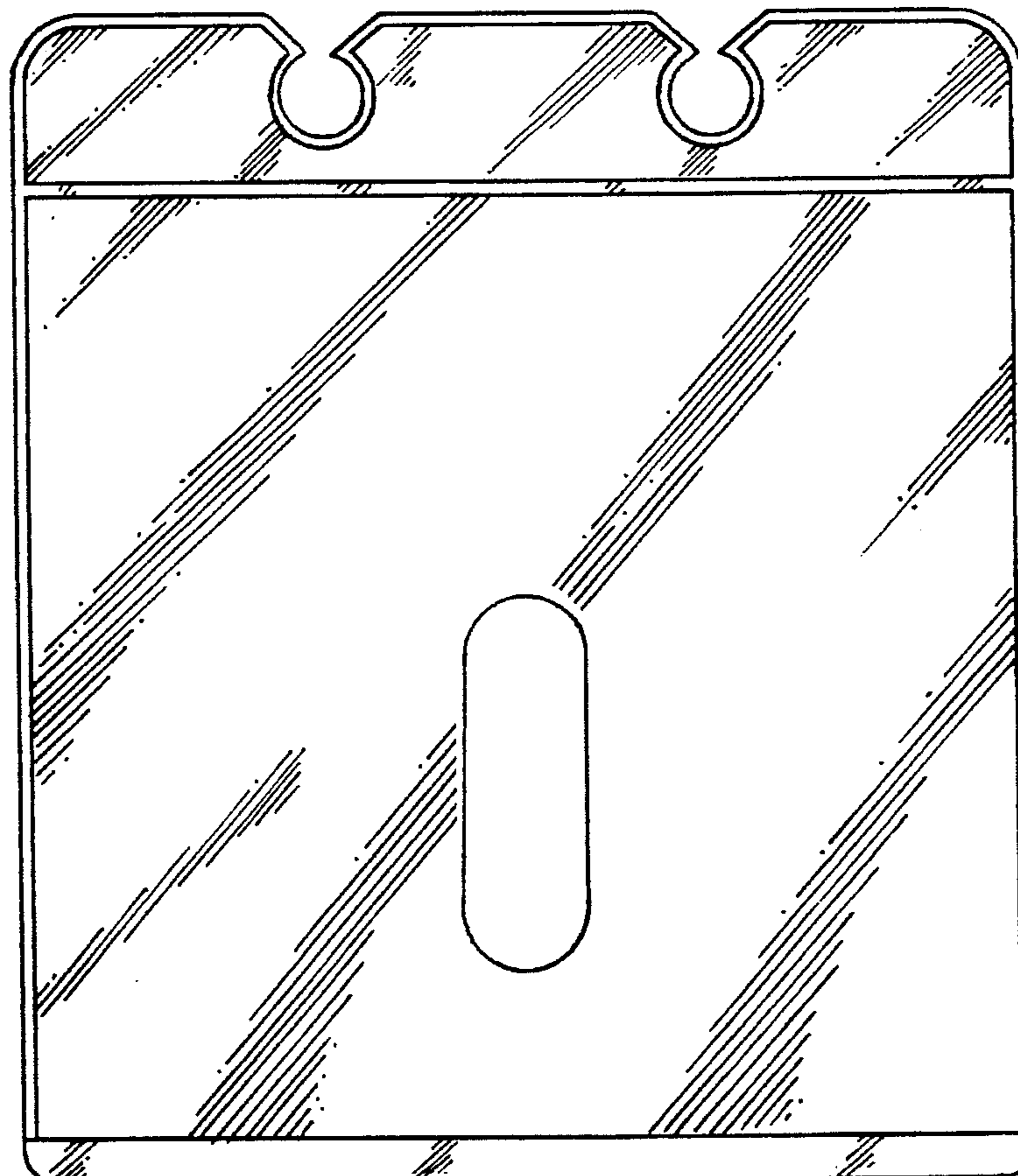
[57] **CLAIM**

The ornamental design for a disc sleeve, as shown and described.

DESCRIPTION

FIG. 1 is a front elevational view of a disc sleeve showing my new design;
FIG. 2 is a bottom plan view thereof;
FIG. 3 is a top plan view thereof;
FIG. 4 is a left side elevational view thereof;
FIG. 5 is a reduced perspective view thereof, shown in a slightly opened position; and,
FIG. 6 is a rear elevational view of FIG. 1.

1 Claim, 2 Drawing Sheets



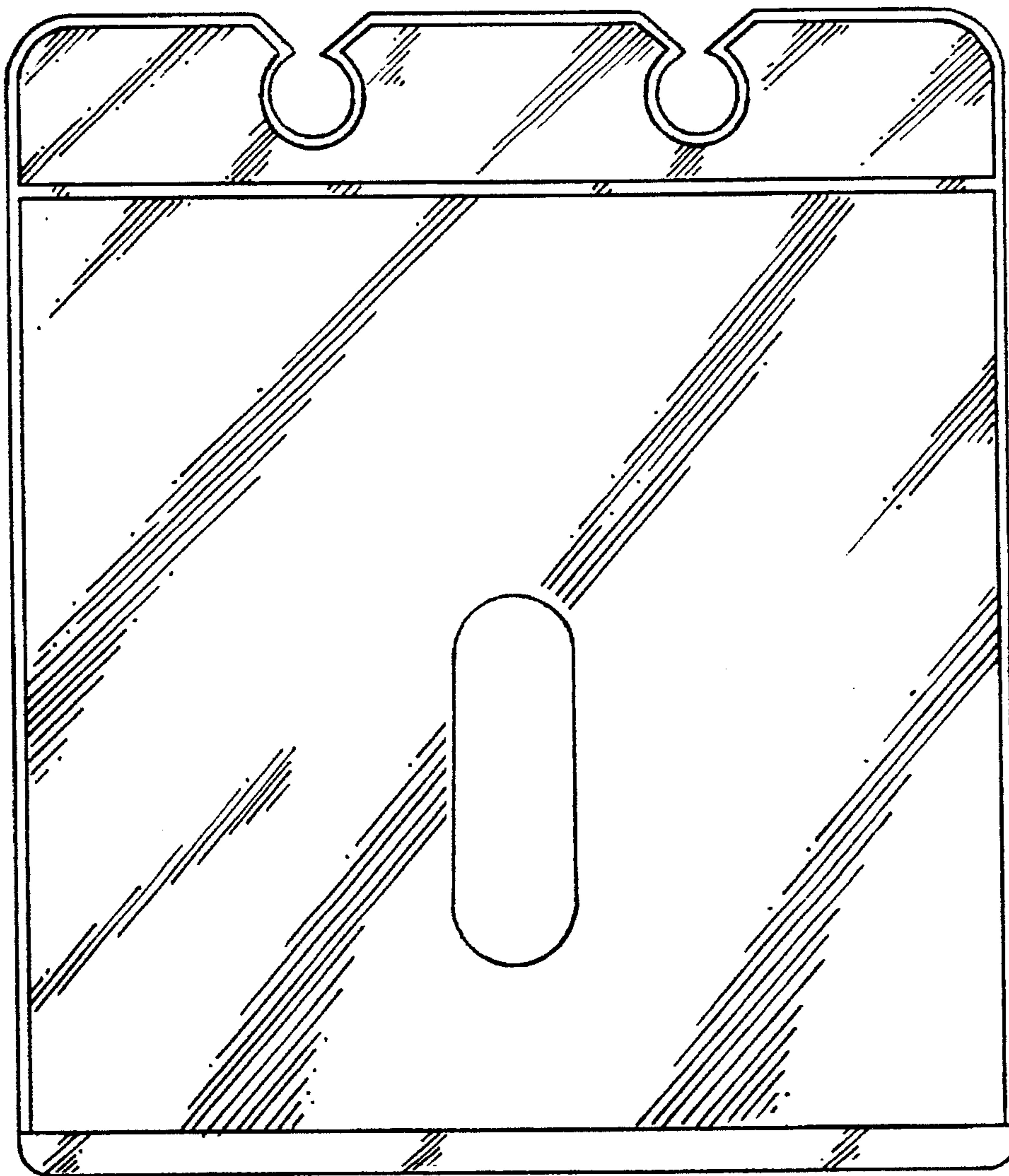


FIG. 1

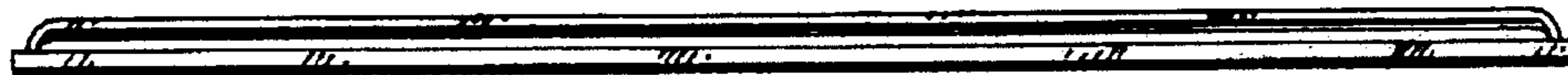


FIG. 2



FIG. 3

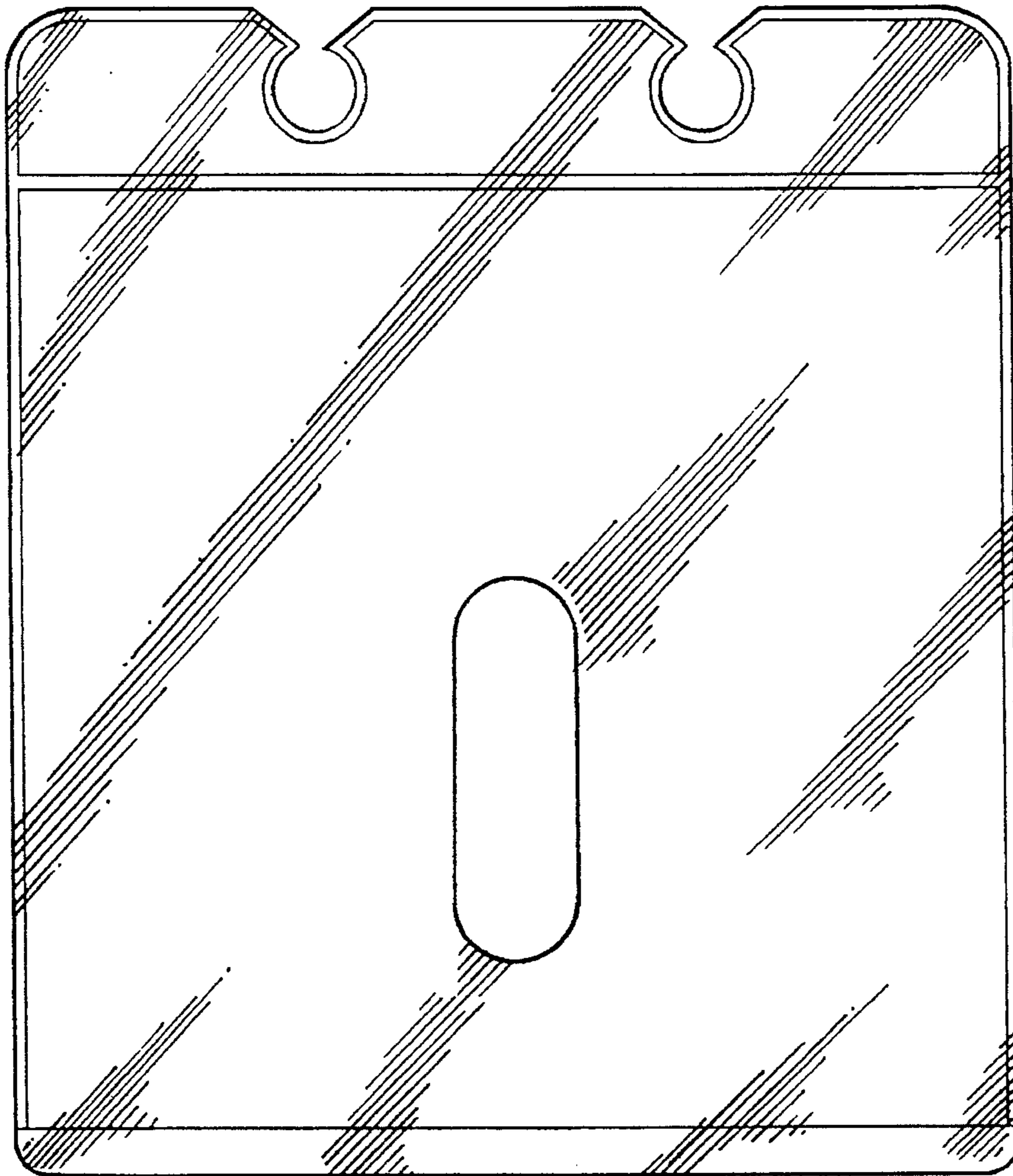


FIG. 6



FIG. 4

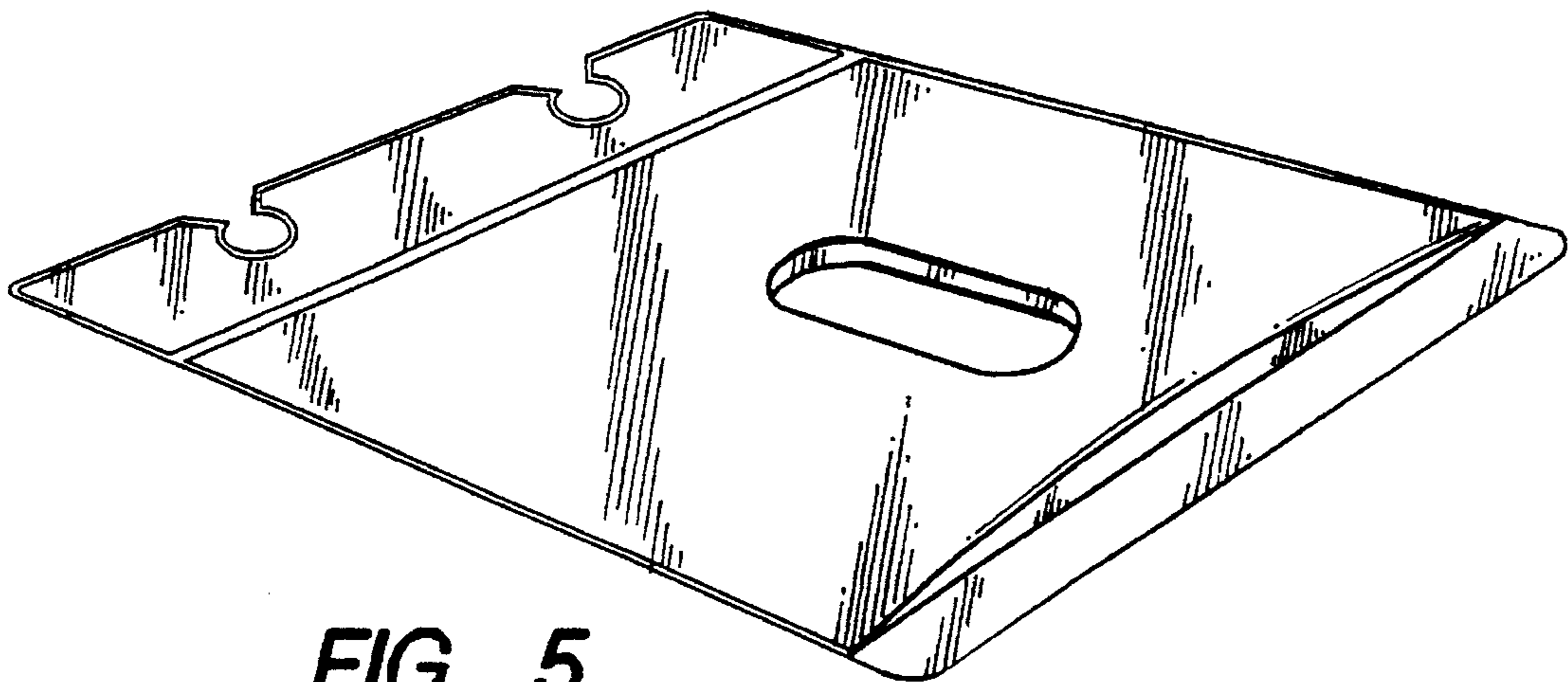


FIG. 5