



US00D377432S

# United States Patent [19]

McPeek et al.

[11] Patent Number: **Des. 377,432**

[45] Date of Patent: **\*\*Jan. 21, 1997**

[54] **MODULAR SHELF**

[76] Inventors: **Joseph R. McPeek**, 508 Manor Cir.,  
Columbiana, Ohio 44408; **John J. LaBuda**, 1462 Vienna Rd., Niles, Ohio  
44446

[\*\*] Term: **14 Years**

[21] Appl. No.: **38,353**

[22] Filed: **May 4, 1995**

[52] U.S. Cl. .... **D6/511**

[58] Field of Search ..... D6/510-512, 452,  
D6/458, 449, 462, 466, 475, 476, 477,  
478, 479, 396, 553, 569-574; D19/75, 86,  
20, 21, 92; D9/432, 433; 108/90-93, 96,  
97, 101, 106, 107, 153, 157, 159, 180,  
144, 146, 148; 211/49.1, 13, 134, 175,  
190, 194, 207; 248/174

[56] **References Cited**

### U.S. PATENT DOCUMENTS

D. 177,186 3/1956 McCarthy ..... D19/92

D. 289,061	3/1987	Klodt	.....	D19/86 X
D. 294,957	3/1988	Lothe	.....	D19/86 X
D. 302,703	8/1989	Foran et al.	.....	D19/75 X
D. 328,535	8/1992	Dupre et al.	.....	D6/475
D. 334,412	3/1993	Feer	.....	D19/92
D. 355,935	2/1995	Hwang	.....	D19/86 X
D. 359,180	6/1995	Bedney	.....	D6/475
3,983,823	10/1976	McDonnell	.....	108/144
4,074,810	2/1978	Juergens et al.	.....	D19/92 X
4,887,724	12/1989	Pielechowski	.....	D19/92 X

*Primary Examiner*—James M. Gandy

*Assistant Examiner*—Linda Brooks

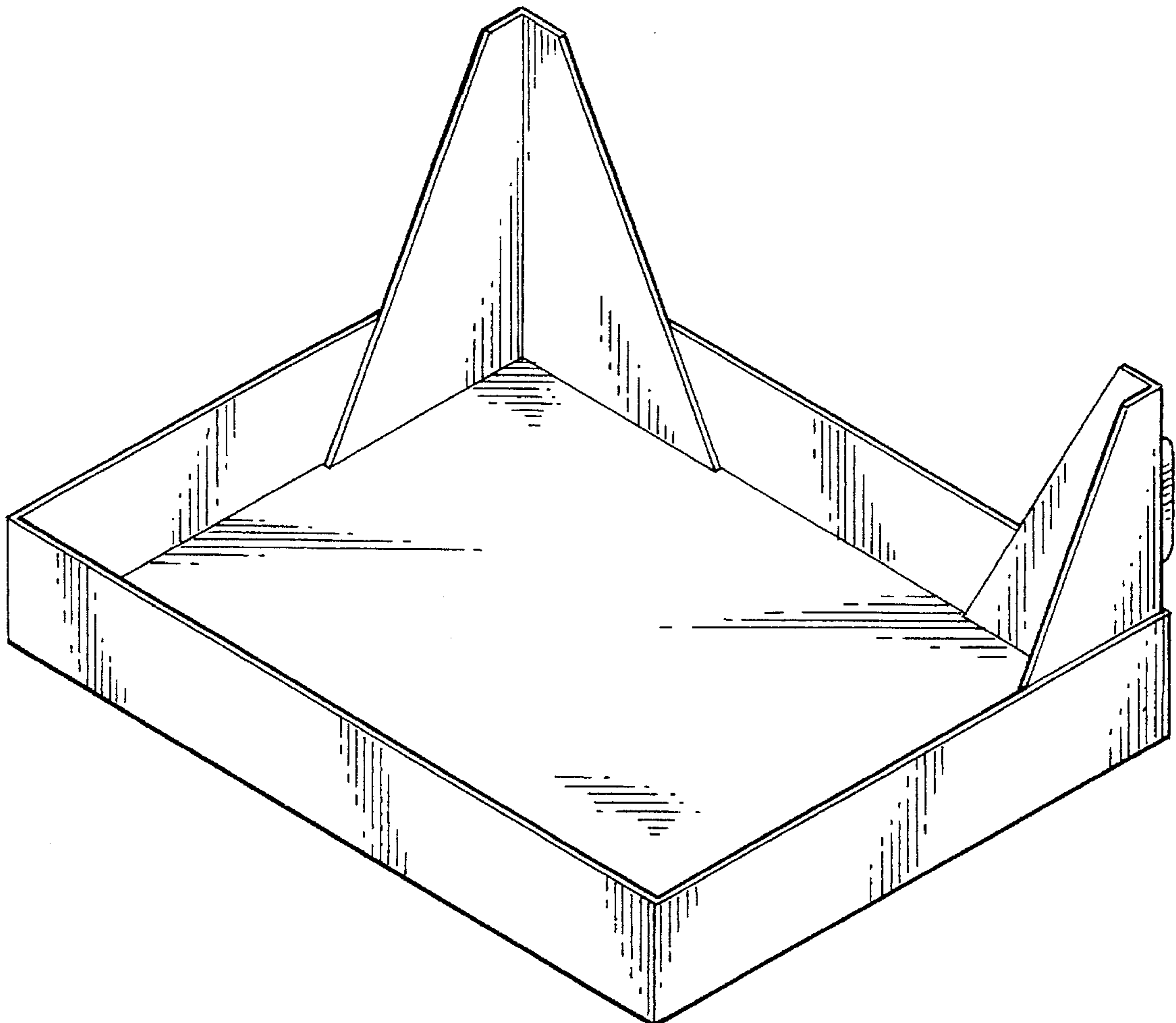
[57] **CLAIM**

The ornamental design for a modular shelf, as shown.

### DESCRIPTION

FIG. 1 is a perspective view of a modular shelf;  
FIG. 2 is top view of a modular shelf;  
FIG. 3 is a front view of modular shelf;  
FIG. 4 is a side view of a modular shelf; and,  
FIG. 5 is a bottom view of a modular shelf.

**1 Claim, 2 Drawing Sheets**



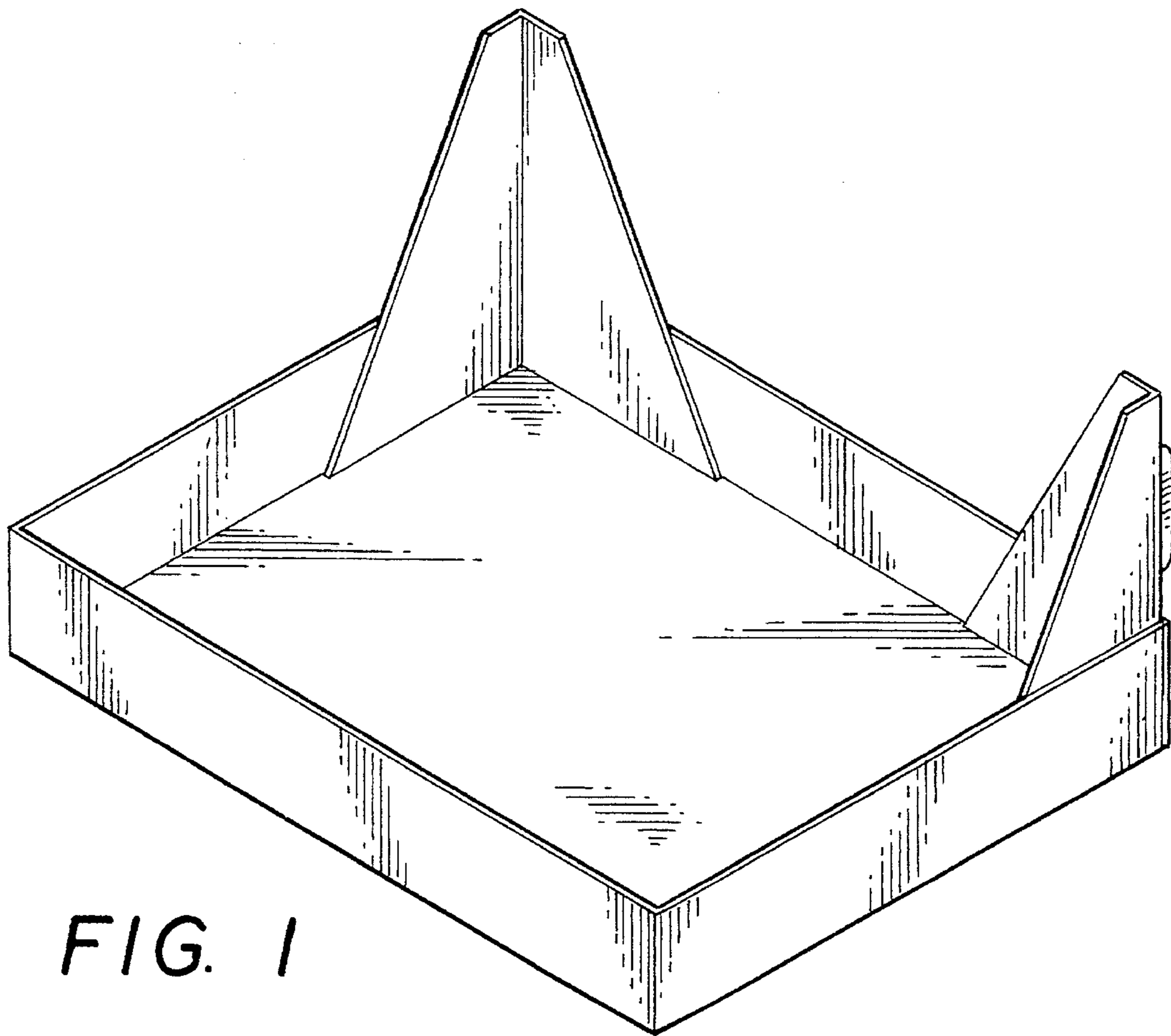


FIG. 1

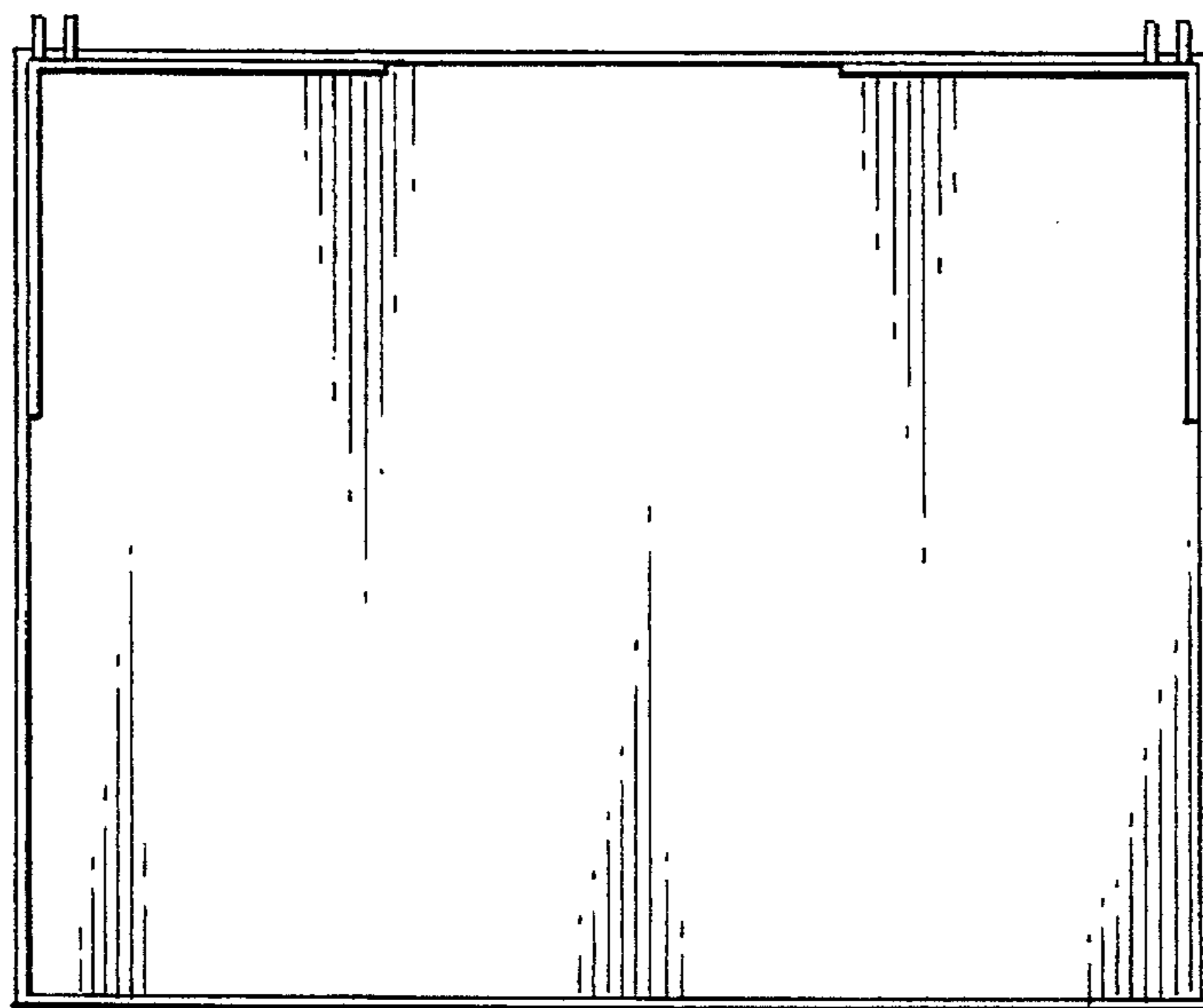
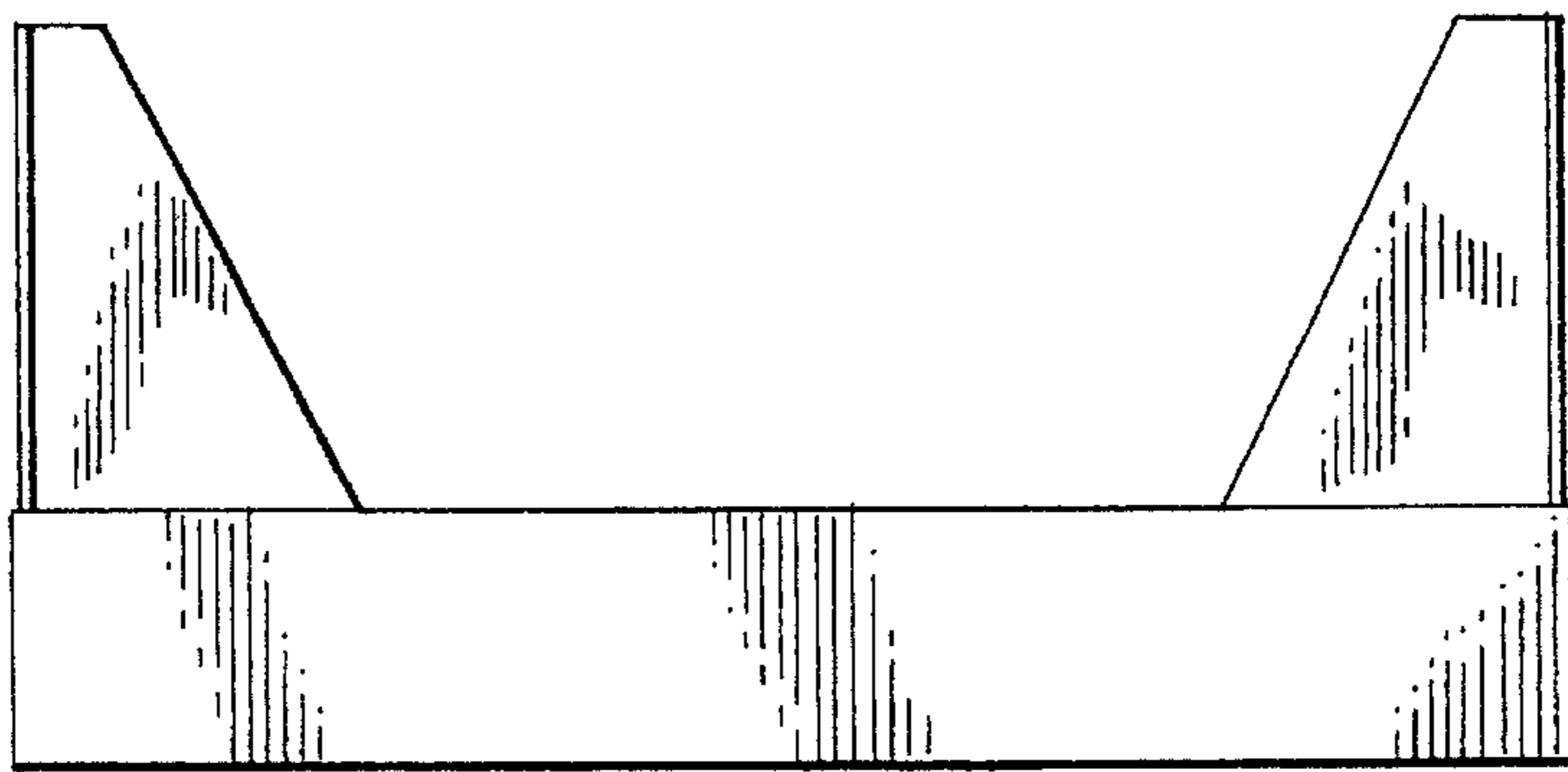
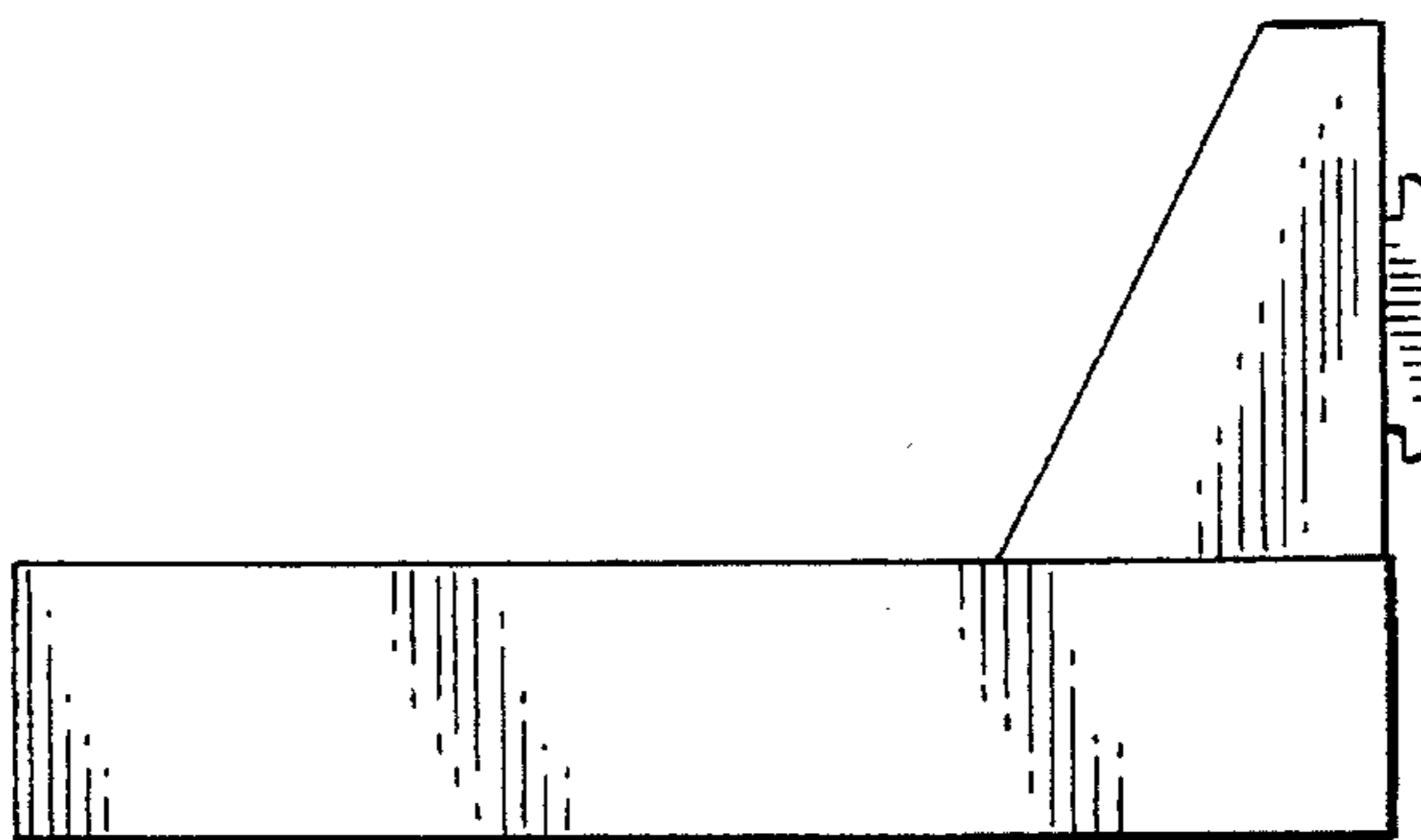


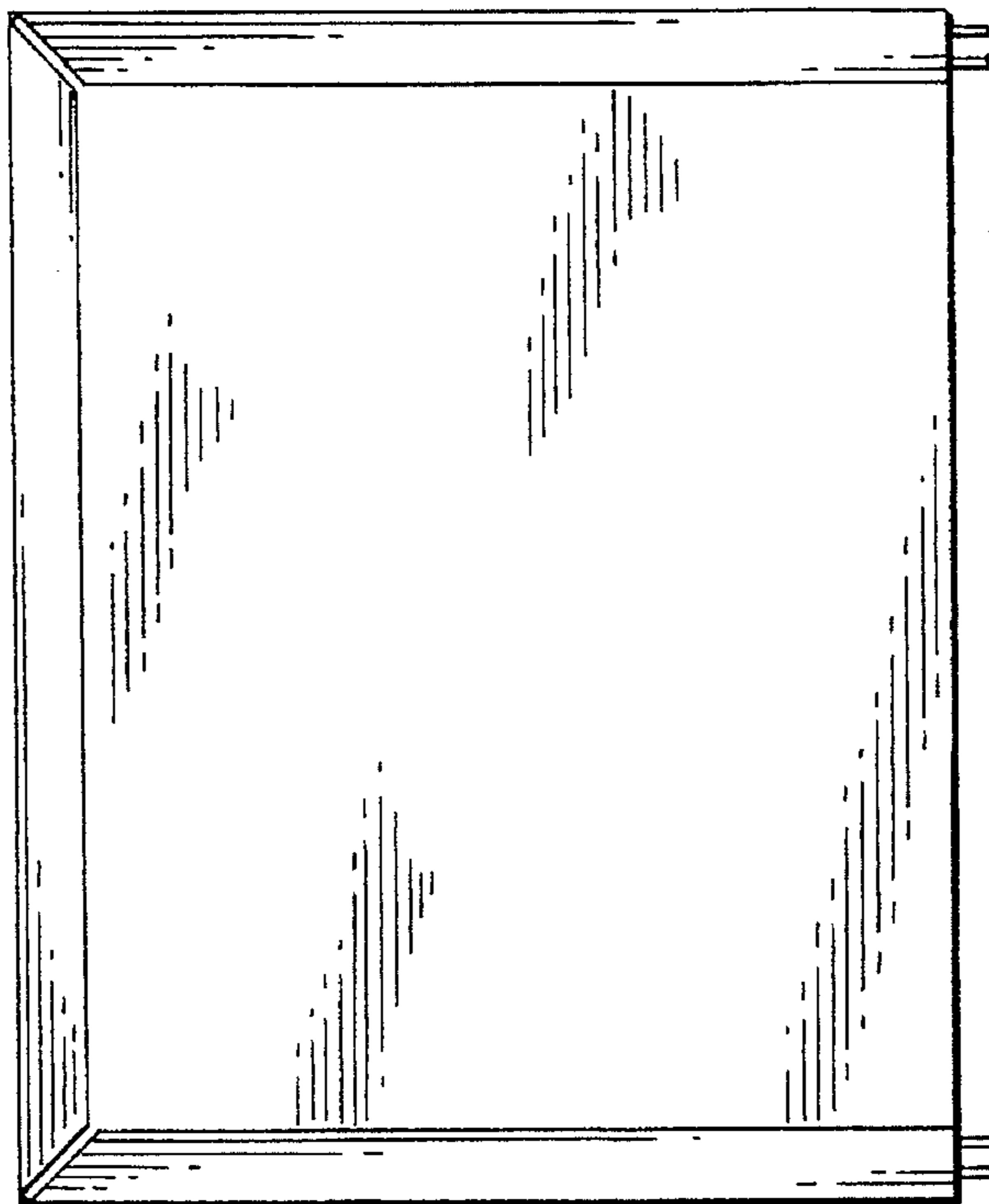
FIG. 2



*FIG. 3*



*FIG. 4*



*FIG. 5*