



US00D377431S

United States Patent [19]

Stumpf et al.

[11] Patent Number: **Des. 377,431**

[45] Date of Patent: ****Jan. 21, 1997**

[54] SEAT AND BACK UNIT FOR A CHAIR

[75] Inventors: **William E. Stumpf; Rodney C. Schoenfelder**, both of Minneapolis, Minn.; **Donald Chadwick**, Los Angeles, Calif.; **Carolyn Keller**, Holland, Mich.

[73] Assignee: **Herman Miller, Inc.**, Zeeland, Mich.

[**] Term: **14 Years**

[21] Appl. No.: **30,013**

[22] Filed: **Sep. 29, 1994**

Related U.S. Application Data

[63] Continuation-in-part of Ser. No. 14,382, Oct. 20, 1993, abandoned, which is a continuation-in-part of Ser. No. 898,899, Jun. 15, 1992, Pat. No. Des. 346,279.

[52] U.S. Cl. **D6/500; D6/372**

[58] Field of Search D6/334, 365, 366, D6/369, 370, 371, 372, 373, 374, 375, 376, 500, 501, 502; 297/452.15, 452.63

[56] References Cited

U.S. PATENT DOCUMENTS

D. 130,925	12/1941	Roth	D6/372
D. 133,848	9/1942	Brodovitch	D6/375
D. 147,133	7/1947	Mankki	D6/375
D. 193,508	9/1962	Nakamura	D6/375
D. 217,863	6/1970	Parker	D6/366
D. 224,190	7/1972	Strässle	D6/375 X
D. 224,191	7/1972	Strässle	D6/372
D. 224,765	9/1972	Manning	D6/375
D. 267,990	2/1983	Buhk et al.	D6/366
D. 268,716	4/1983	Ochsner	D6/372
D. 269,142	5/1983	Umanoff	D6/372
D. 273,251	4/1984	Petitt	D6/366
D. 274,675	7/1984	Diffrient	D6/366
D. 294,434	3/1988	Zakharov	D6/360
D. 296,960	8/1988	Fenske	D6/366

D. 301,662	6/1989	Vonhausen	D6/366
D. 342,404	12/1993	Homann	D6/500
D. 349,826	8/1994	Homann	D6/500
2,859,801	11/1958	Moore	155/157
2,963,074	12/1960	Woodard	155/5
3,627,252	12/1971	Yamaguchi	248/384
3,936,094	2/1976	Conrad	297/328
3,947,068	3/1976	Buhk	297/445
4,036,524	7/1977	Takamatsu	297/219
4,152,023	5/1979	Buhk	297/452
4,429,917	2/1984	Diffrient	297/300

FOREIGN PATENT DOCUMENTS

WO93/25121 12/1993 WIPO A47C 3/00

OTHER PUBLICATIONS

Interiors, Aug. 1981, p. 21, chair at bottom left.
Interiors, Dec., 1978, pp. 48, Chair at top left.
Industrial Design, Jun., 1983, p. 23.
Blueprint, Oct., 1994.

Primary Examiner—Gary D. Watson
Attorney, Agent, or Firm—Brinks Hofer Gilson & Lione

[57] CLAIM

The ornamental design for a seat and back unit for a chair, as shown and described.

DESCRIPTION

FIG. 1 is a perspective view of a seat and back unit for a chair;
FIG. 2 is a right side view of a seat and back unit for a chair, the left side being a mirror image thereof;
FIG. 3 is a front view of a seat and back unit for a chair;
FIG. 4 is a rear view of a seat and back unit for a chair;
FIG. 5 is a top view of a seat and back unit for a chair; and,
FIG. 6 is a bottom view of a seat and back unit for a chair.
The broken line showing of a tubular frame in all figures is for environmental purposes only and forms no part of the claimed design.

1 Claim, 2 Drawing Sheets

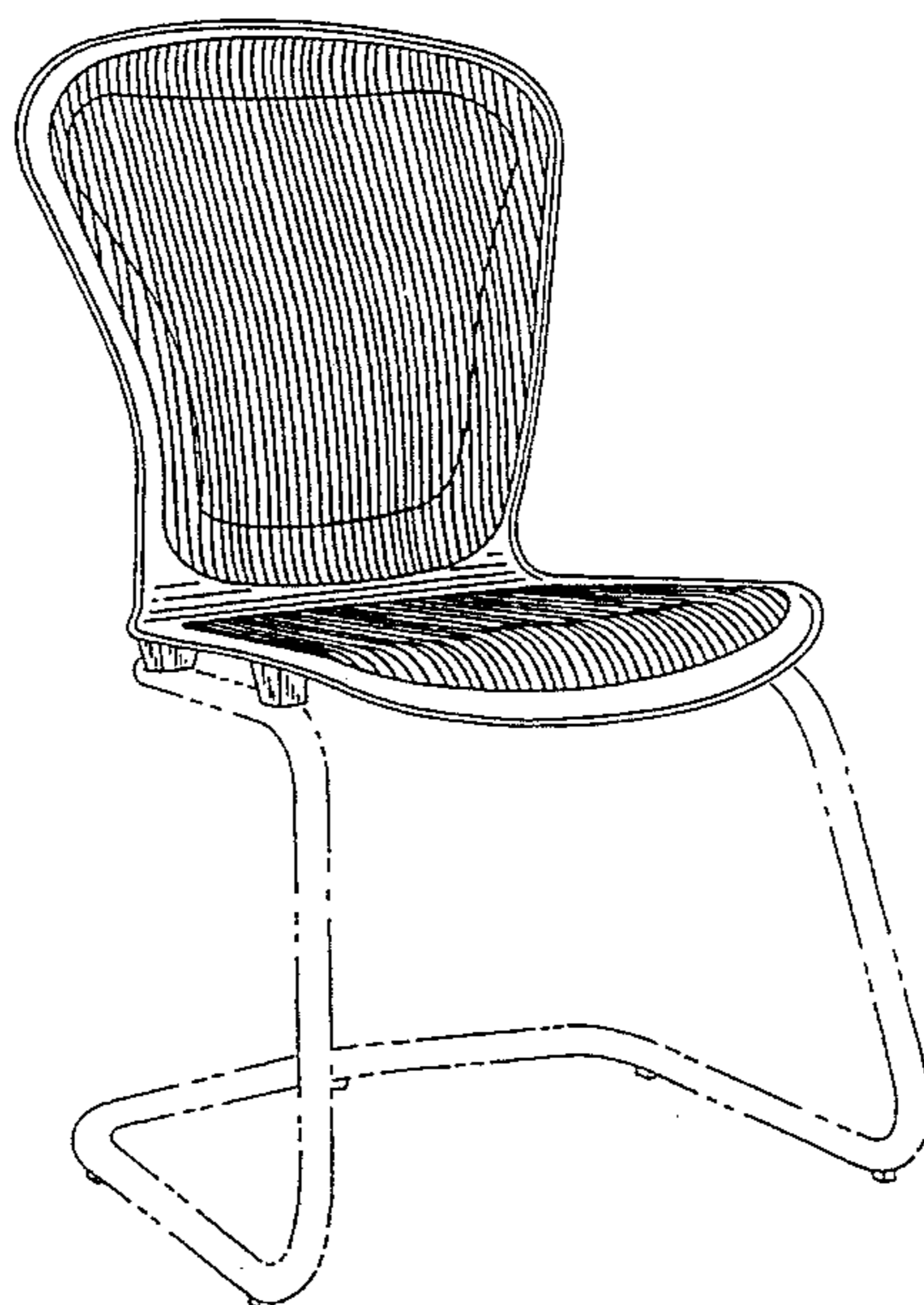


FIG. 2

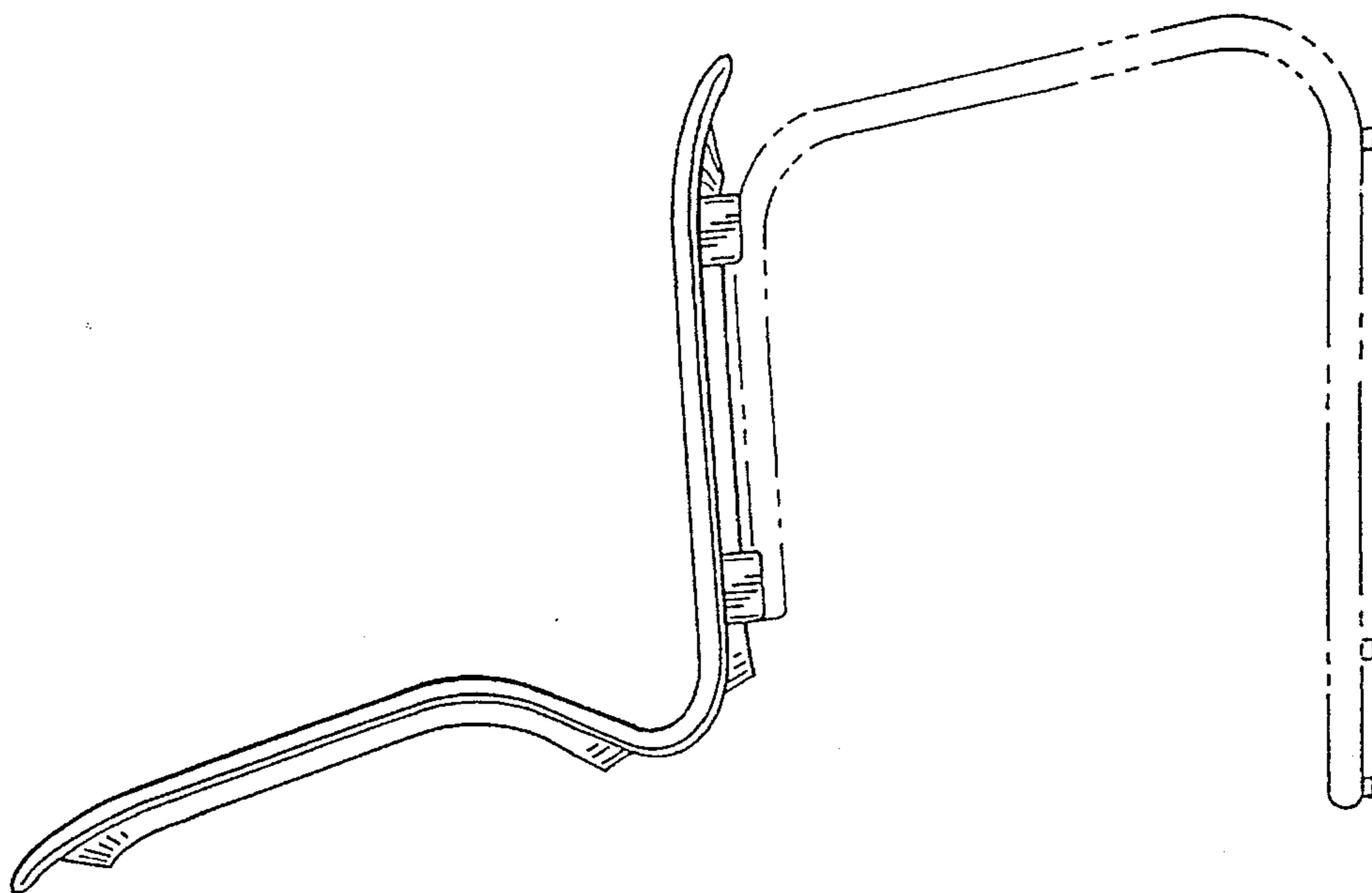


FIG. 1

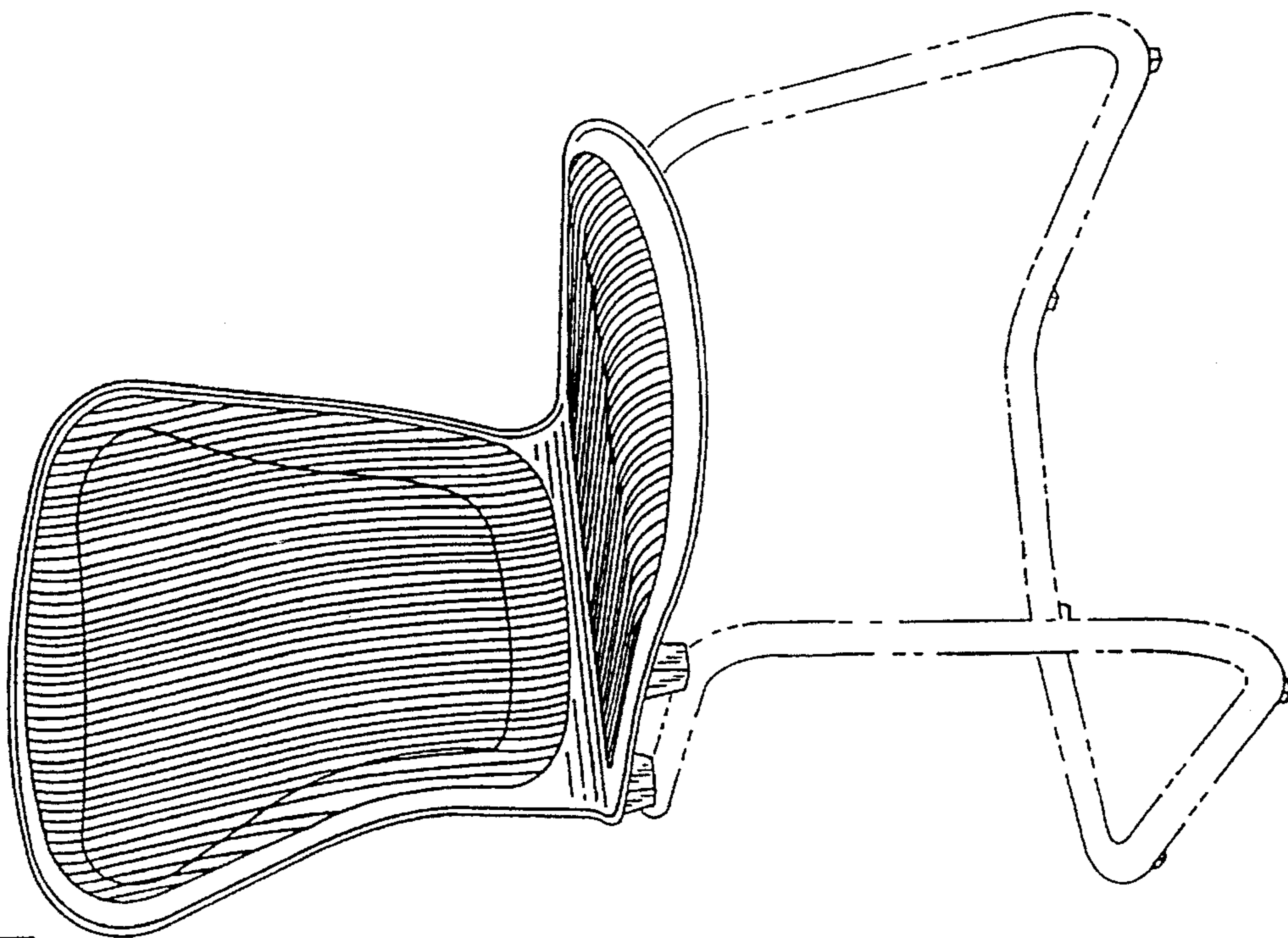


FIG. 3

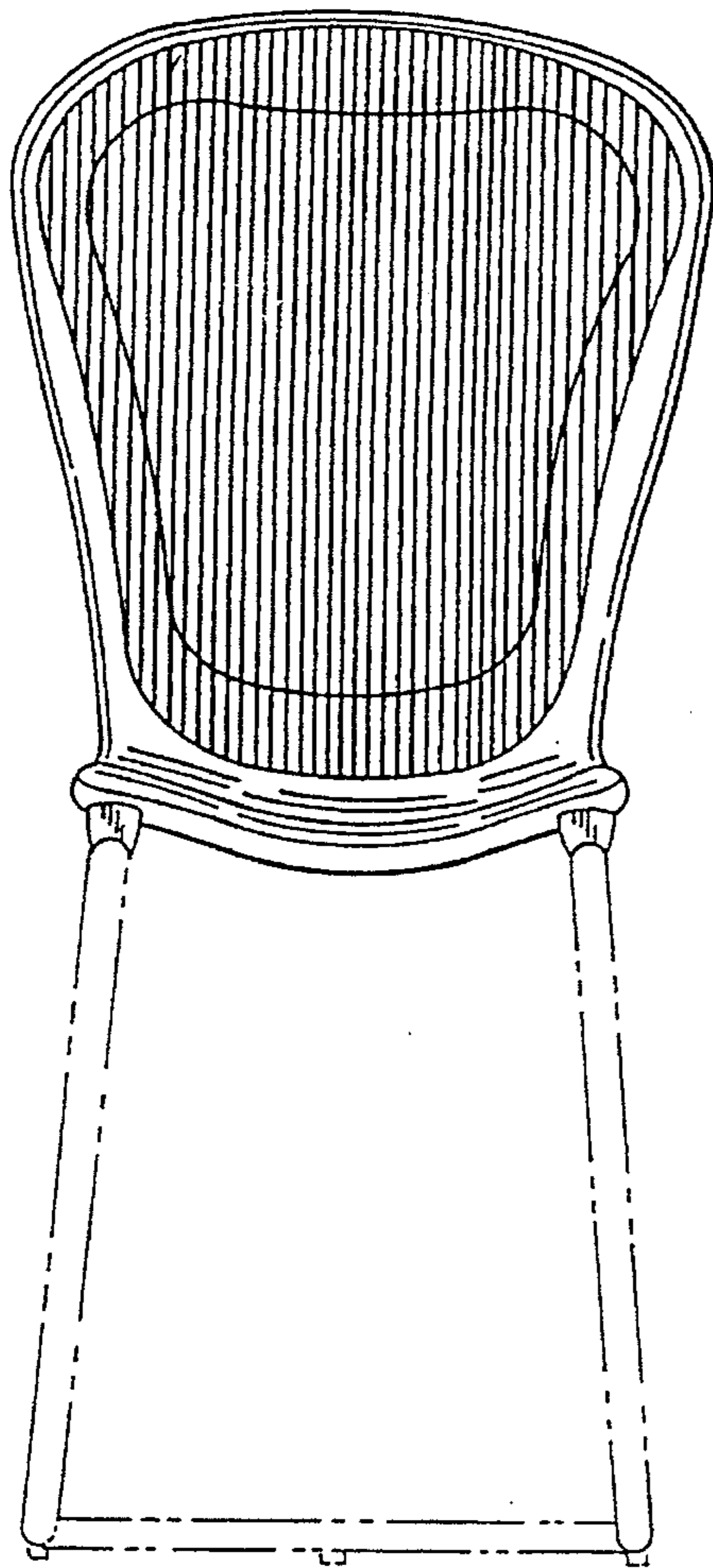


FIG. 4

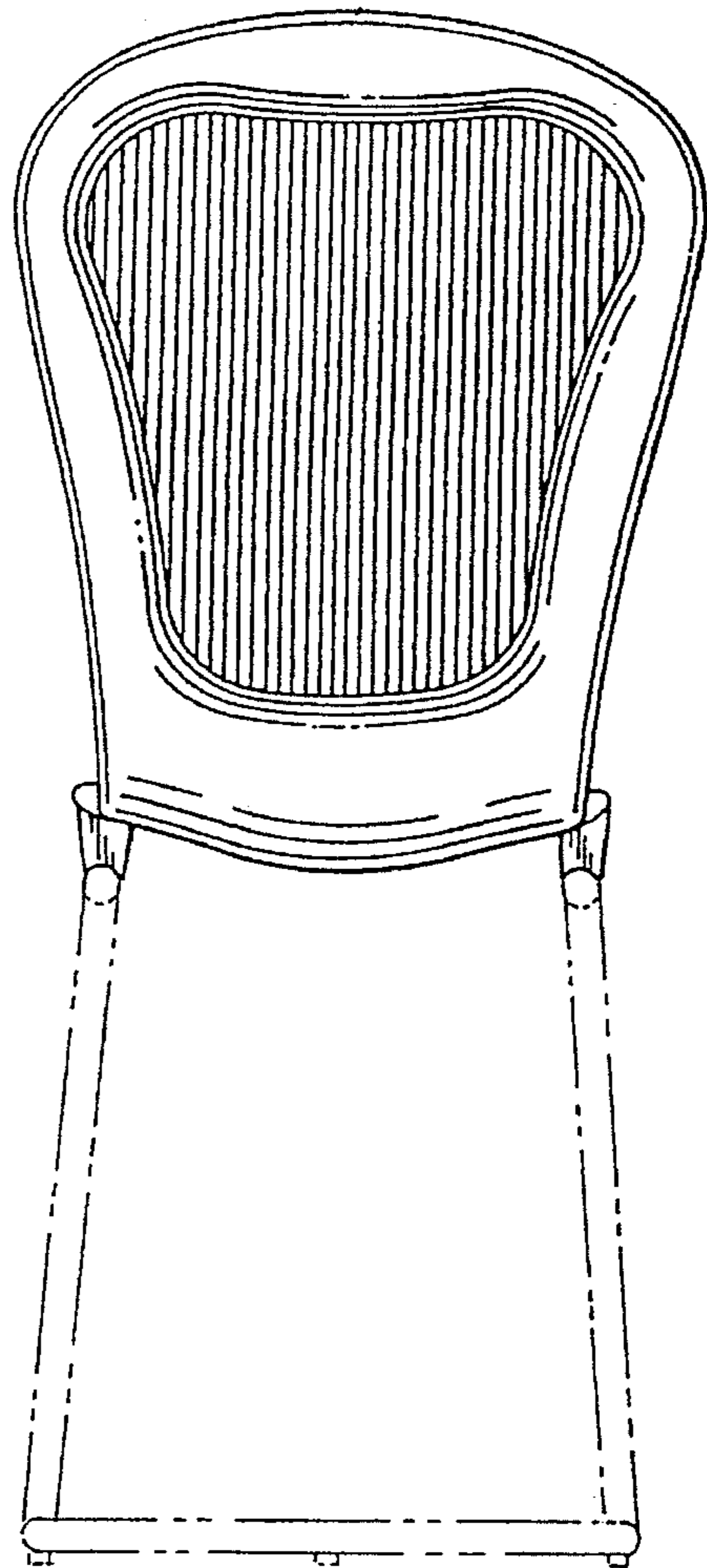


FIG. 5

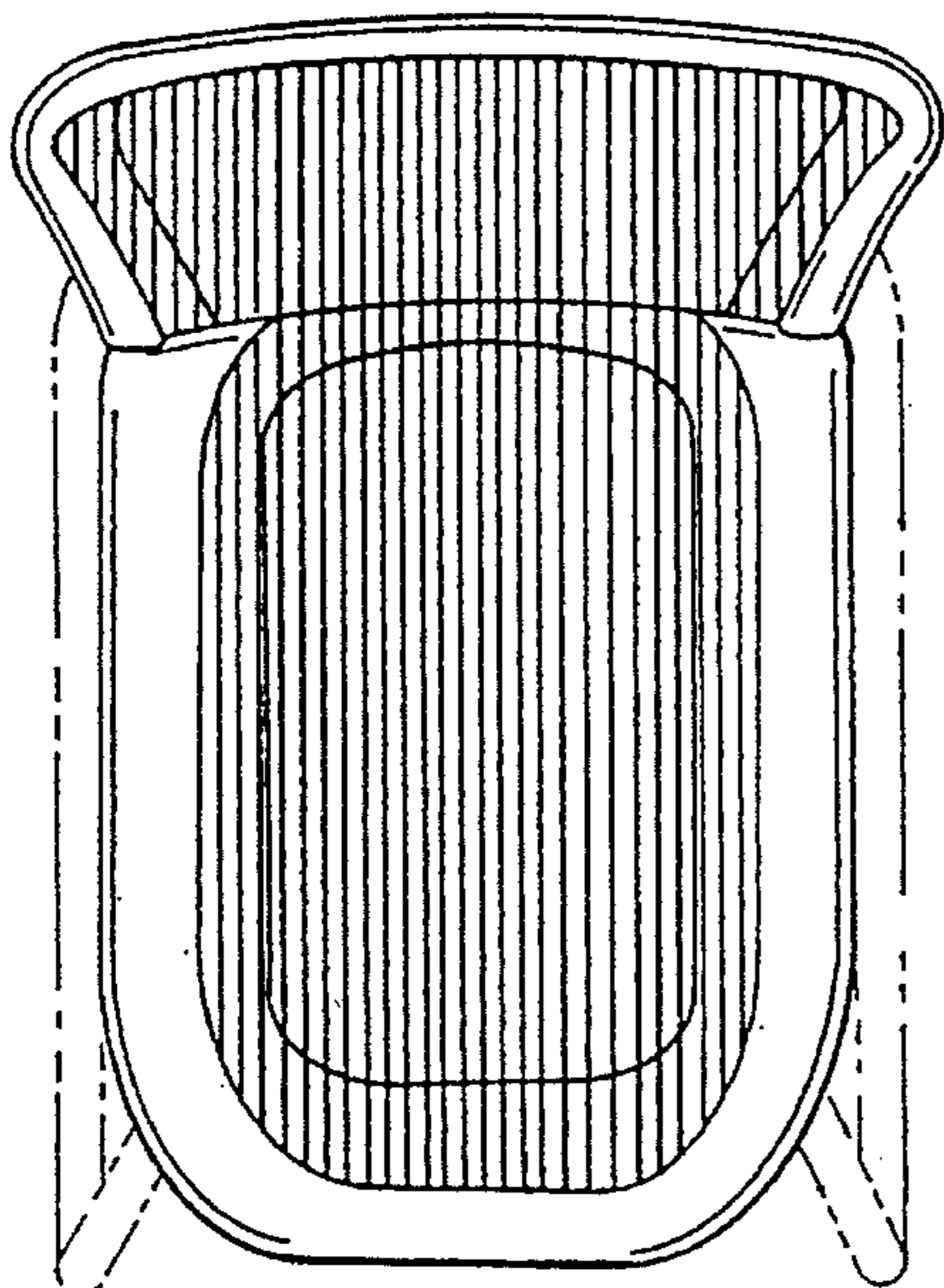
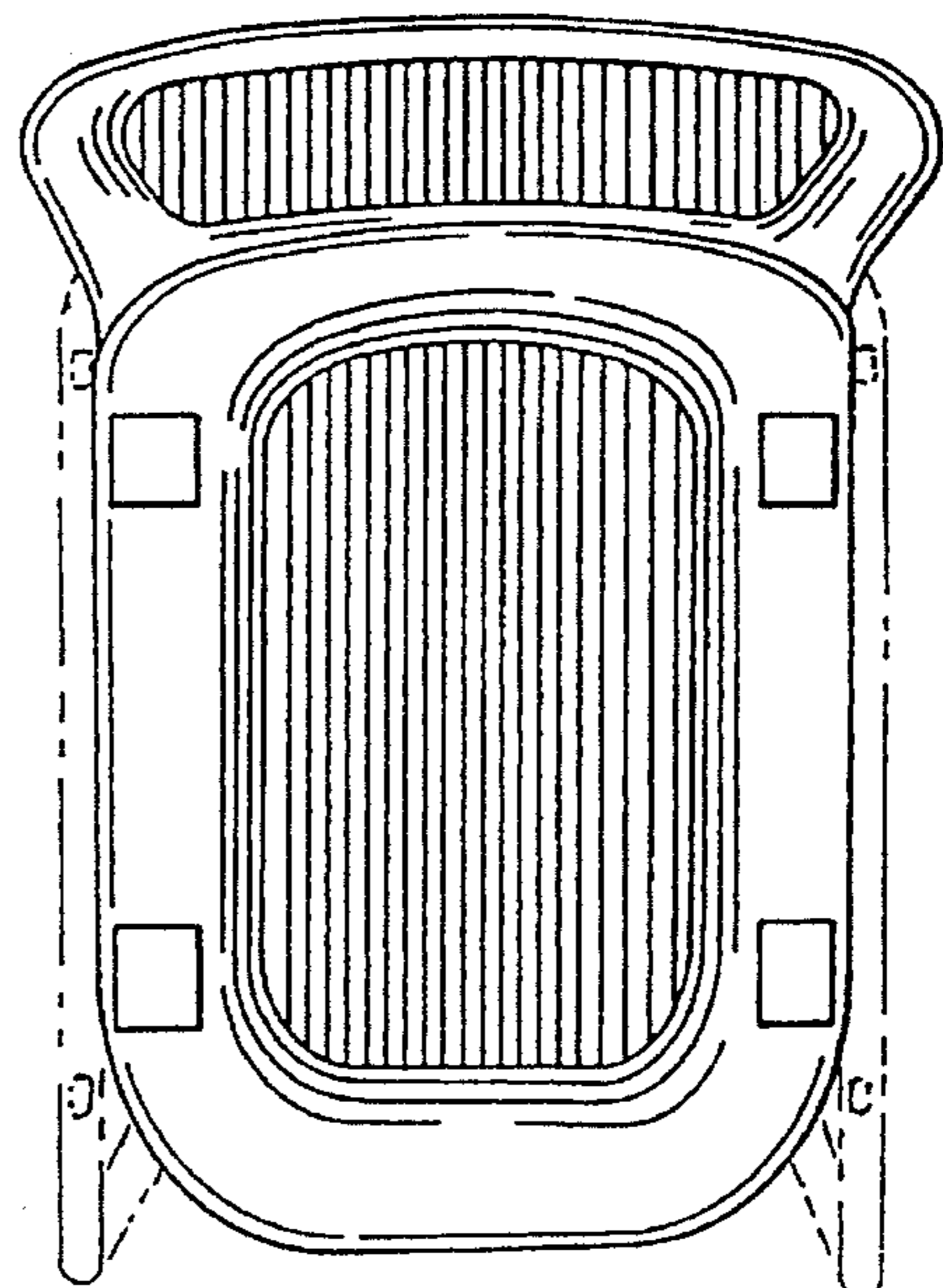


FIG. 6



UNITED STATES PATENT AND TRADEMARK OFFICE
CERTIFICATE OF CORRECTION

PATENT NO. : Des. 377,431
DATED : January 21, 1997
INVENTOR(S) : William E. Stumpf et al.

It is certified that error appears in the above-identified patent and that said Letters Patent is hereby corrected as shown below:

In the Title Page

On the title page, at the bottom of the list under "U.S. PATENT DOCUMENTS" add a new line as follows:

--4,529,247 7/1985 Stumpf et al.--.

Signed and Sealed this
Fifteenth Day of December, 1998



Attest:

BRUCE LEHMAN

Attesting Officer

Commissioner of Patents and Trademarks