



US00D377429S

United States Patent [19]

Olson

[11] Patent Number: **Des. 377,429**

[45] Date of Patent: ****Jan. 21, 1997**

[54] **SNEEZE SHIELD ASSEMBLY**

[75] Inventor: **Jeffrey C. Olson, Wilkes-Barre, Pa.**

[73] Assignee: **Metro Industries, Inc., Reno, Nev.**

[**] Term: **14 Years**

[21] Appl. No.: **35,512**

[22] Filed: **Feb. 28, 1995**

[52] U.S. Cl. **D6/491**

[58] Field of Search D6/491, 481, 421,
D6/442; 108/60, 61, 144; 312/140.1, 140.4,
284, 116, 236

[56] **References Cited**

U.S. PATENT DOCUMENTS

D. 324,737	3/1992	Stafford	D25/58
D. 325,485	4/1992	Diem	D6/491
2,900,045	8/1959	Conklin et al.	312/140.2 X
4,656,952	4/1987	Schweizer	108/144 X

Primary Examiner—Janice E. Seeger
Attorney, Agent, or Firm—Fitzpatrick, Cella, Harper & Scinto

[57] **CLAIM**

The ornamental design for a sneeze shield assembly, as shown and described.

DESCRIPTION

FIG. 1 is a front perspective view of a sneeze shield assembly showing my new design; the broken lines are for environmental purposes only and form no part of the claimed design;

FIG. 2 is a front elevational view of the sneeze shield assembly showing my new design;

FIG. 3 is a top plan view thereof;

FIG. 4 is a side elevational view of one side thereof;

FIG. 5 is a side elevational view of the other side thereof;

FIG. 6 is a rear elevational view thereof; and,

FIG. 7 is a bottom plan view thereof.

1 Claim, 5 Drawing Sheets

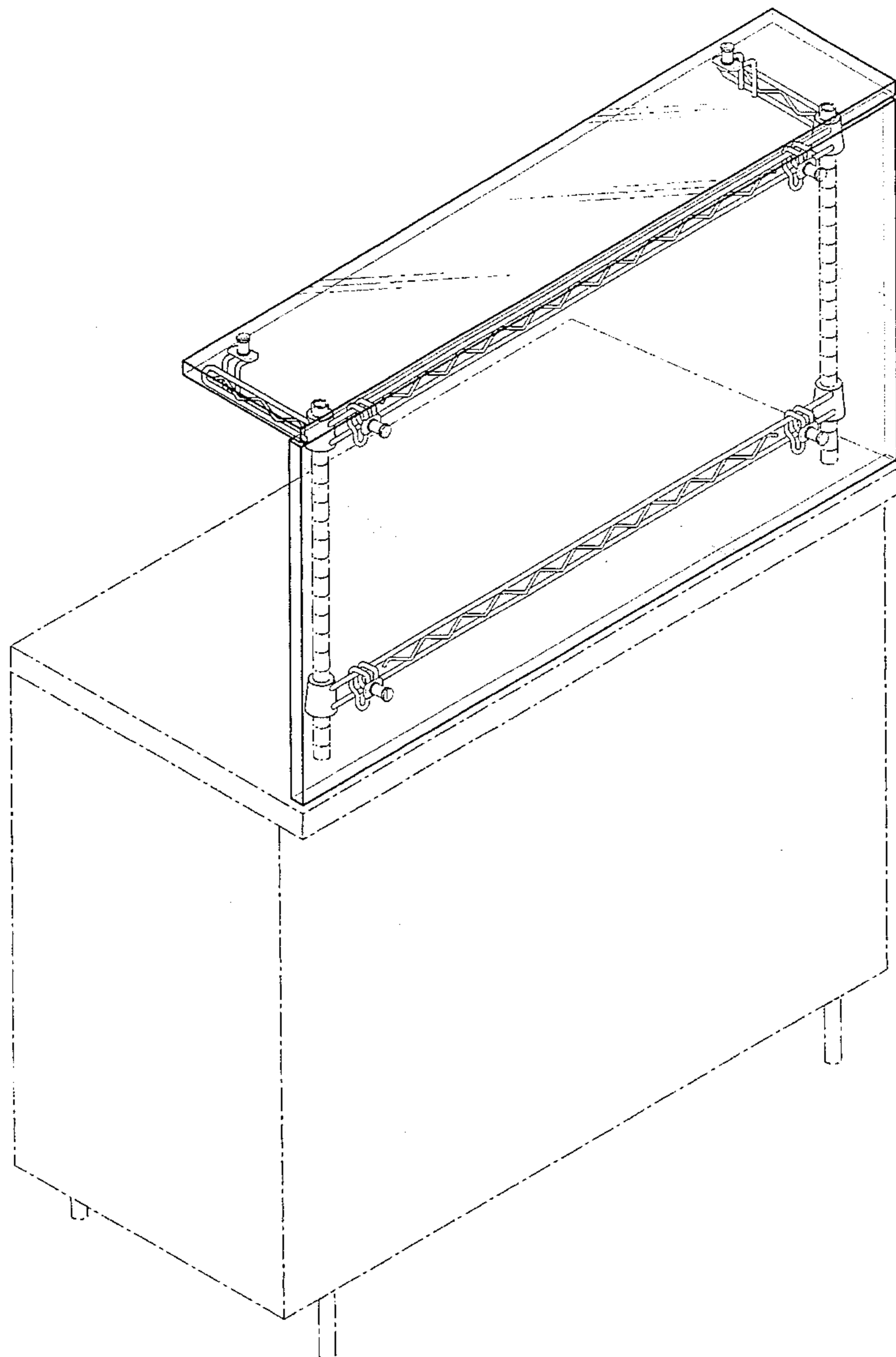


FIG. 1

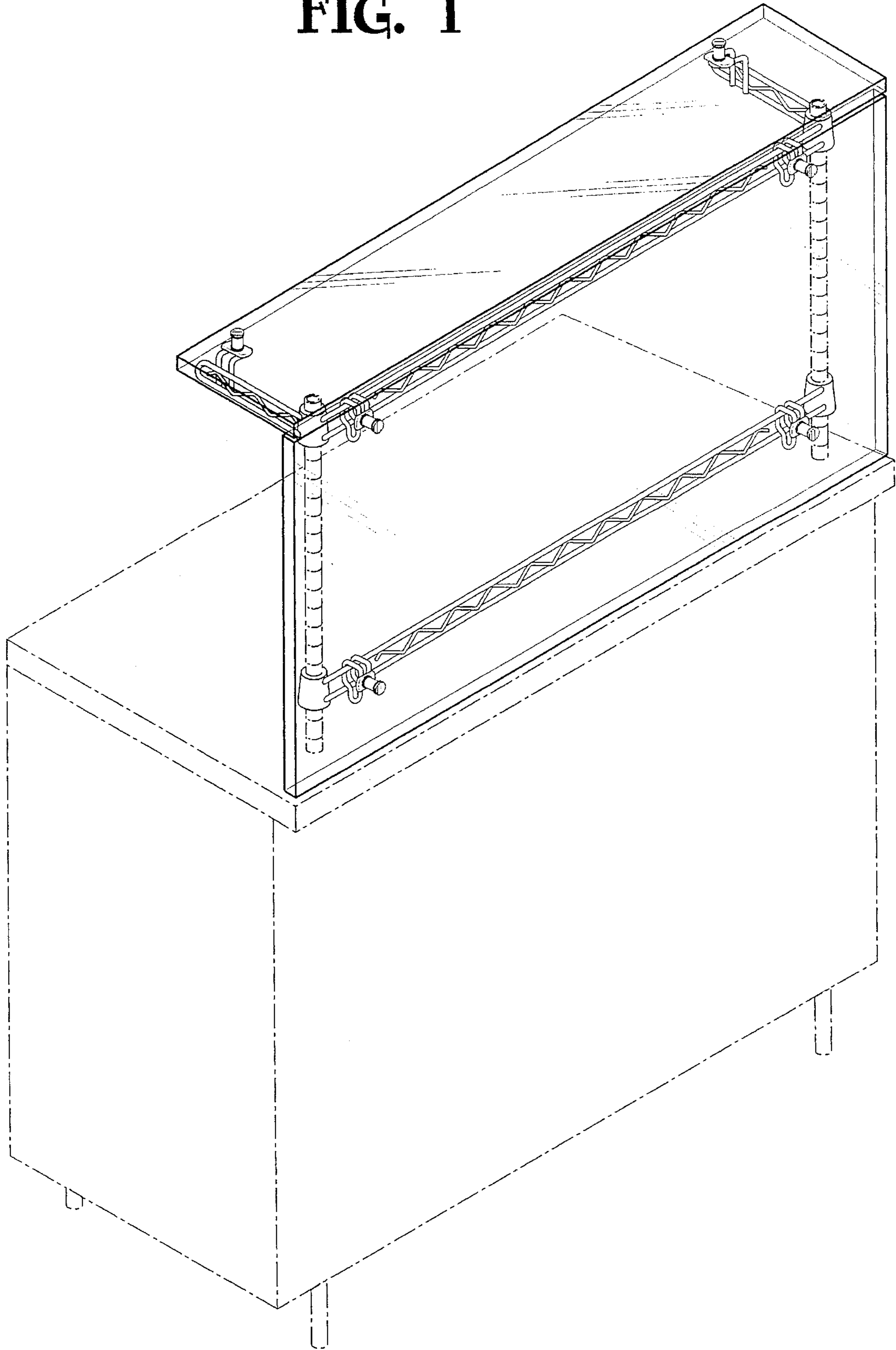


FIG. 2

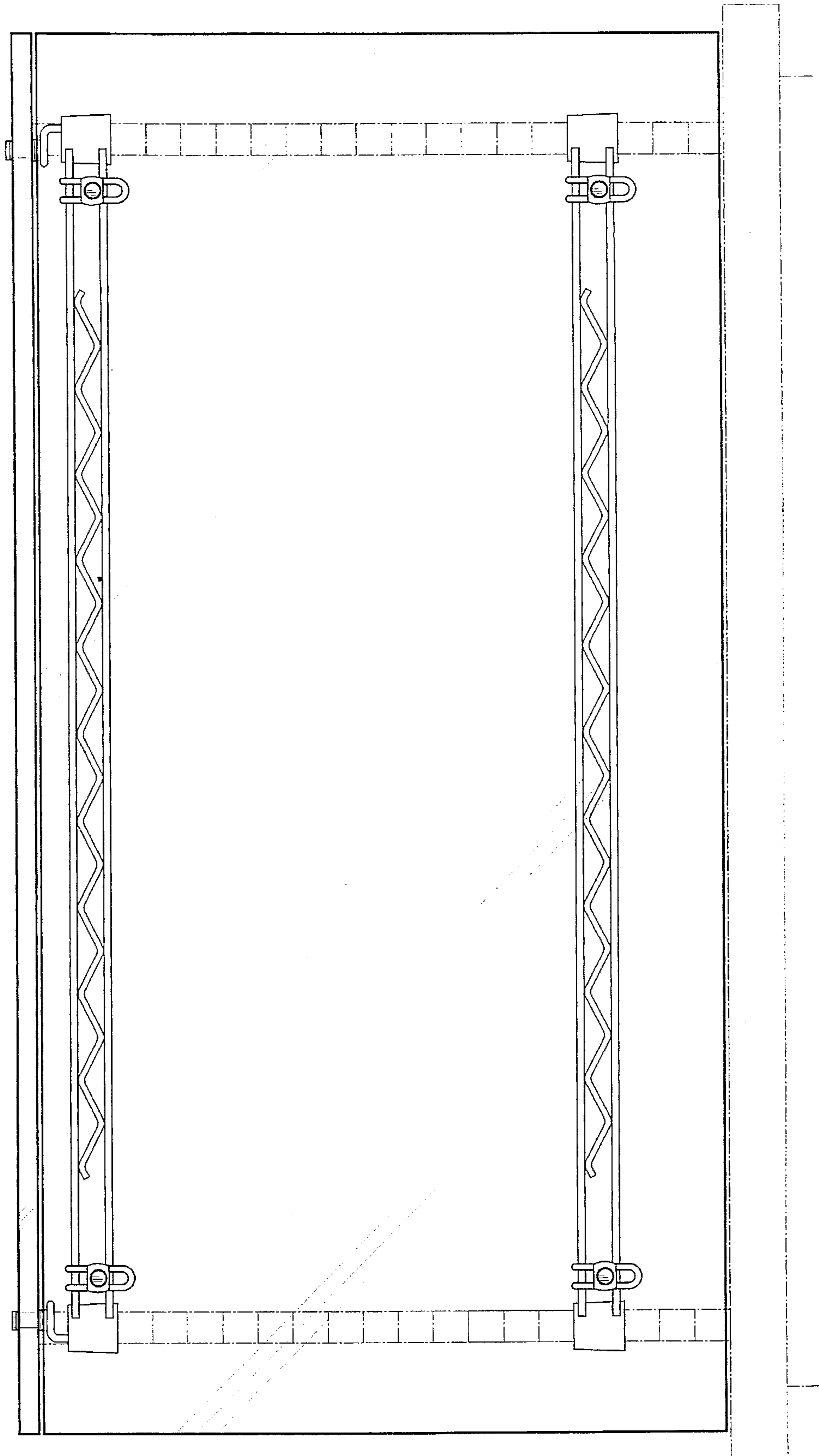


FIG. 3

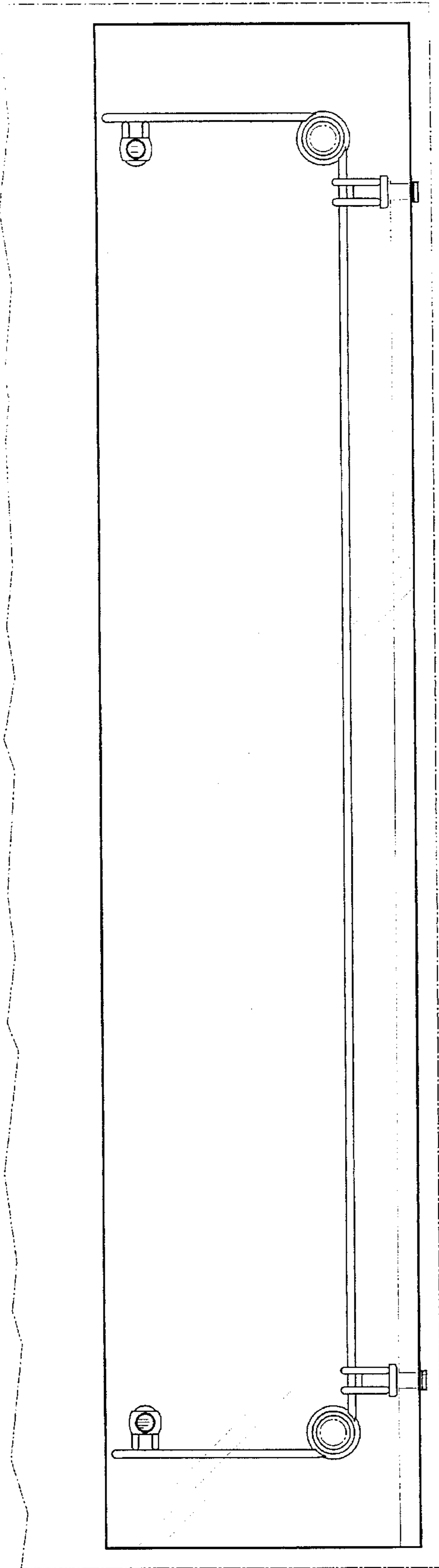


FIG. 7

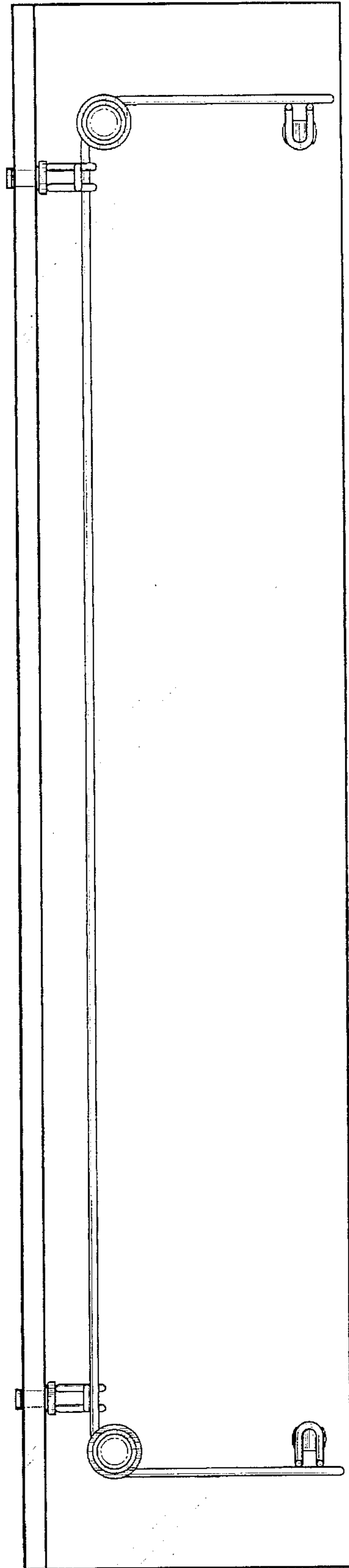


FIG. 5

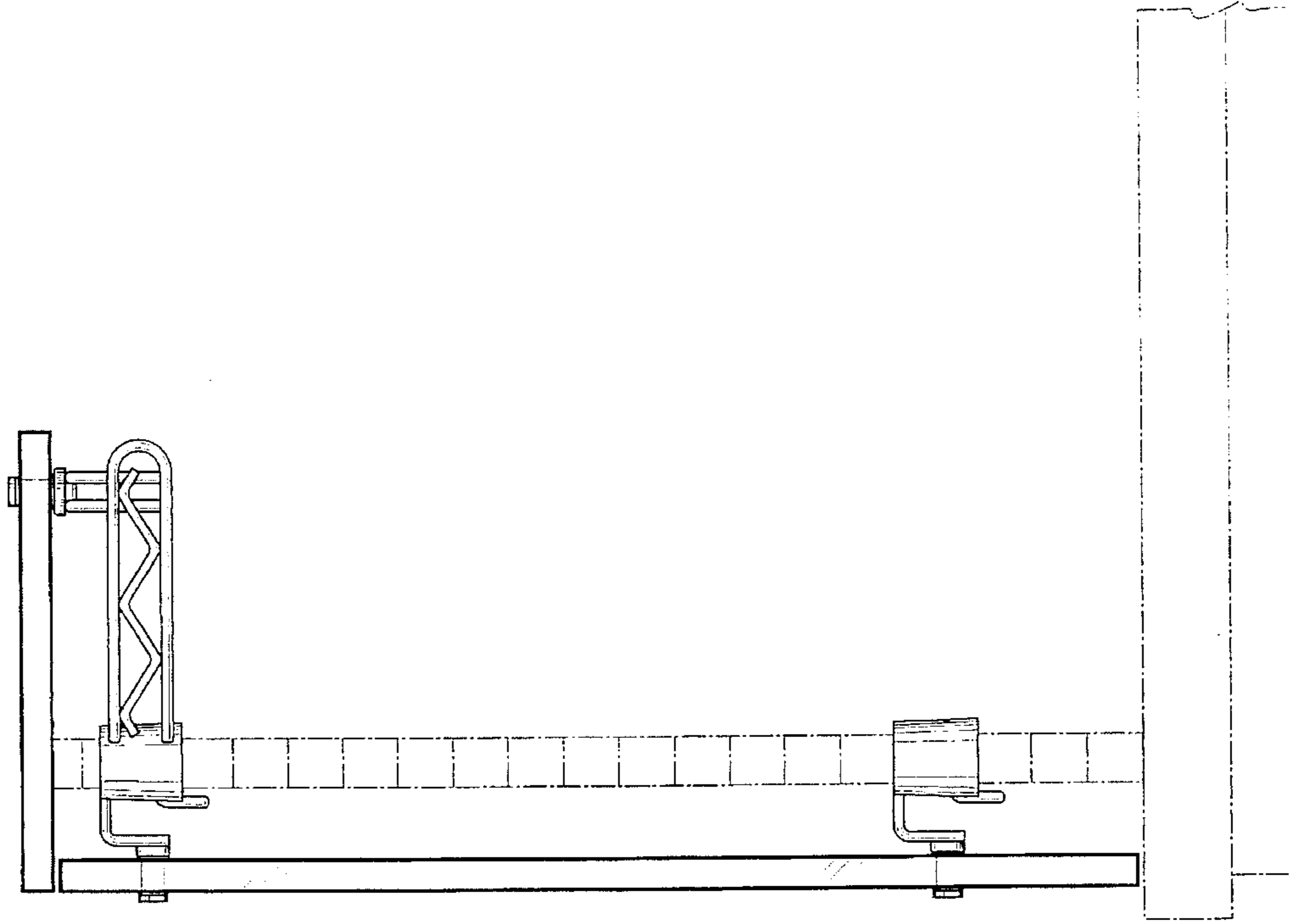


FIG. 4

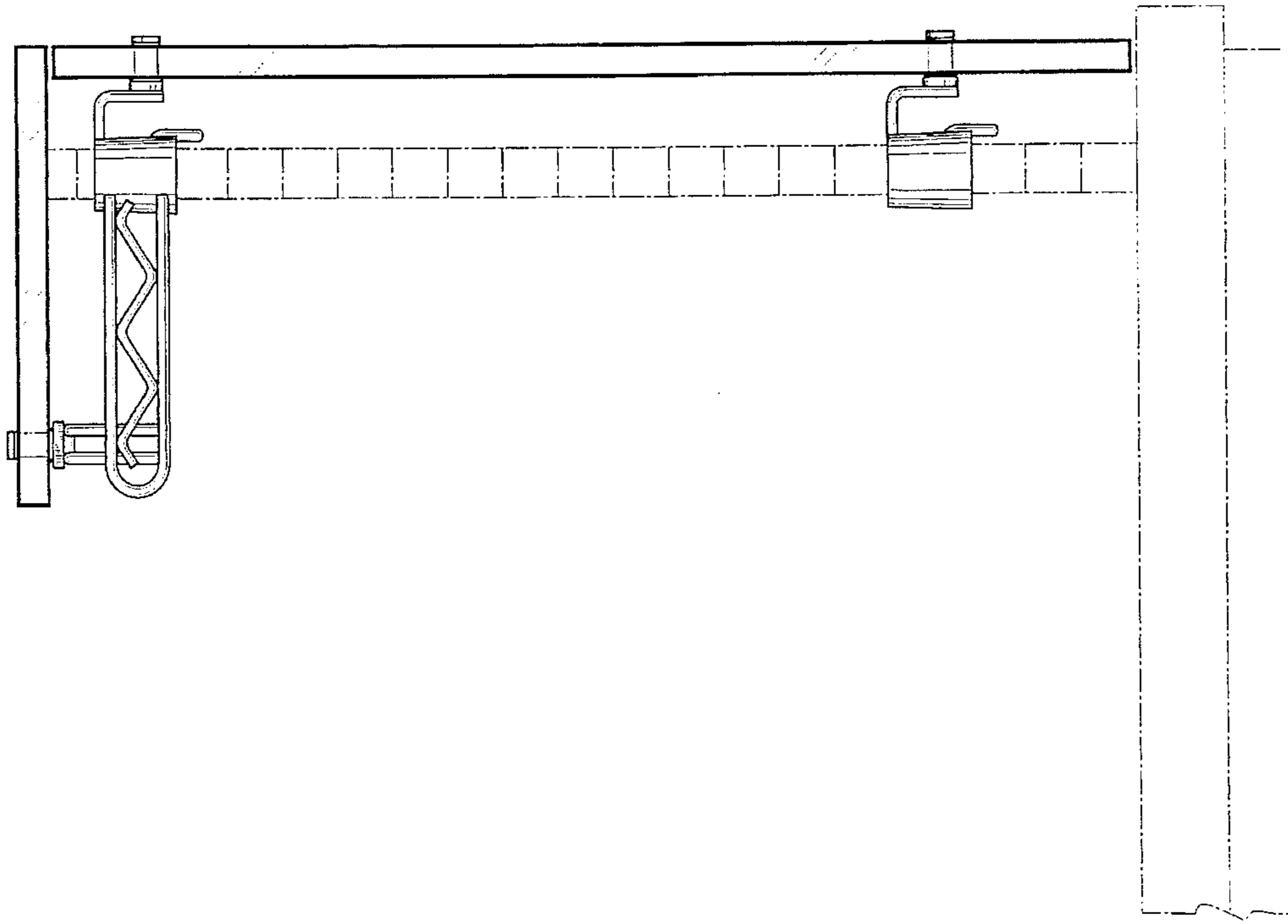


FIG. 6

