



US00D377428S

United States Patent [19]

Rossdeutscher

[11] Patent Number: **Des. 377,428**

[45] Date of Patent: ****Jan. 21, 1997**

[54] **FILE TROLLEY**

[75] Inventor: **Ralph H. Rossdeutscher**, Cambridge, Canada

[73] Assignee: **Performa Plus World Inc.**, Cambridge, Canada

[**] Term: **14 Years**

[21] Appl. No.: **34,951**

[22] Filed: **Jan. 20, 1995**

[52] U.S. Cl. **D6/475**; D34/21

[58] Field of Search D6/449, 470-475; 211/45, 46, 151, 162; D34/17, 20, 21

[56] **References Cited**

U.S. PATENT DOCUMENTS

2,336,802	12/1943	Posner	211/45 X
4,982,851	1/1991	Konstant	211/151
4,991,725	2/1991	Welsch et al.	211/162
5,407,262	4/1995	Christian et al.	211/162 X

Primary Examiner—B. J. Bullock
Assistant Examiner—Linda Brooks
Attorney, Agent, or Firm—R. Craig Armstrong

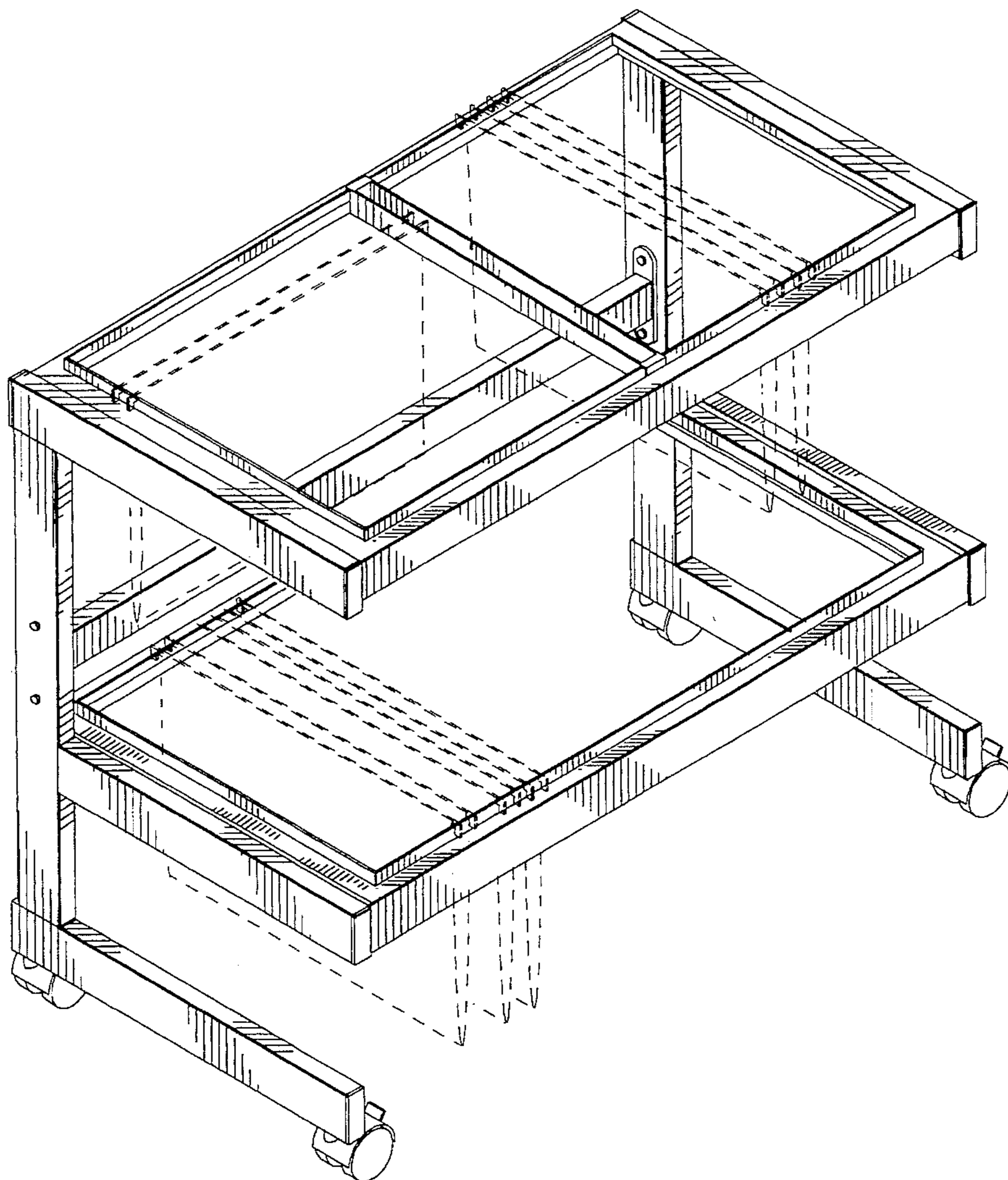
[57] **CLAIM**

The ornamental design for a file trolley, as shown and described.

DESCRIPTION

FIG. 1 is a perspective view of my new design with the lower slideable element in the retracted position; FIG. 2 is perspective view of my new design with the lower slideable element in the extended position; FIG. 3 is a left side view of my new design; FIG. 4 is a front view of my new design; FIG. 5 is a right side view of my new design; FIG. 6 is a rear view of my design; FIG. 7 is a top view of my design; and, FIG. 8 is a bottom view of my design. The broken line showing of files in FIG. 1 is for illustrative purposes only and forms no part of the claimed design.

1 Claim, 5 Drawing Sheets



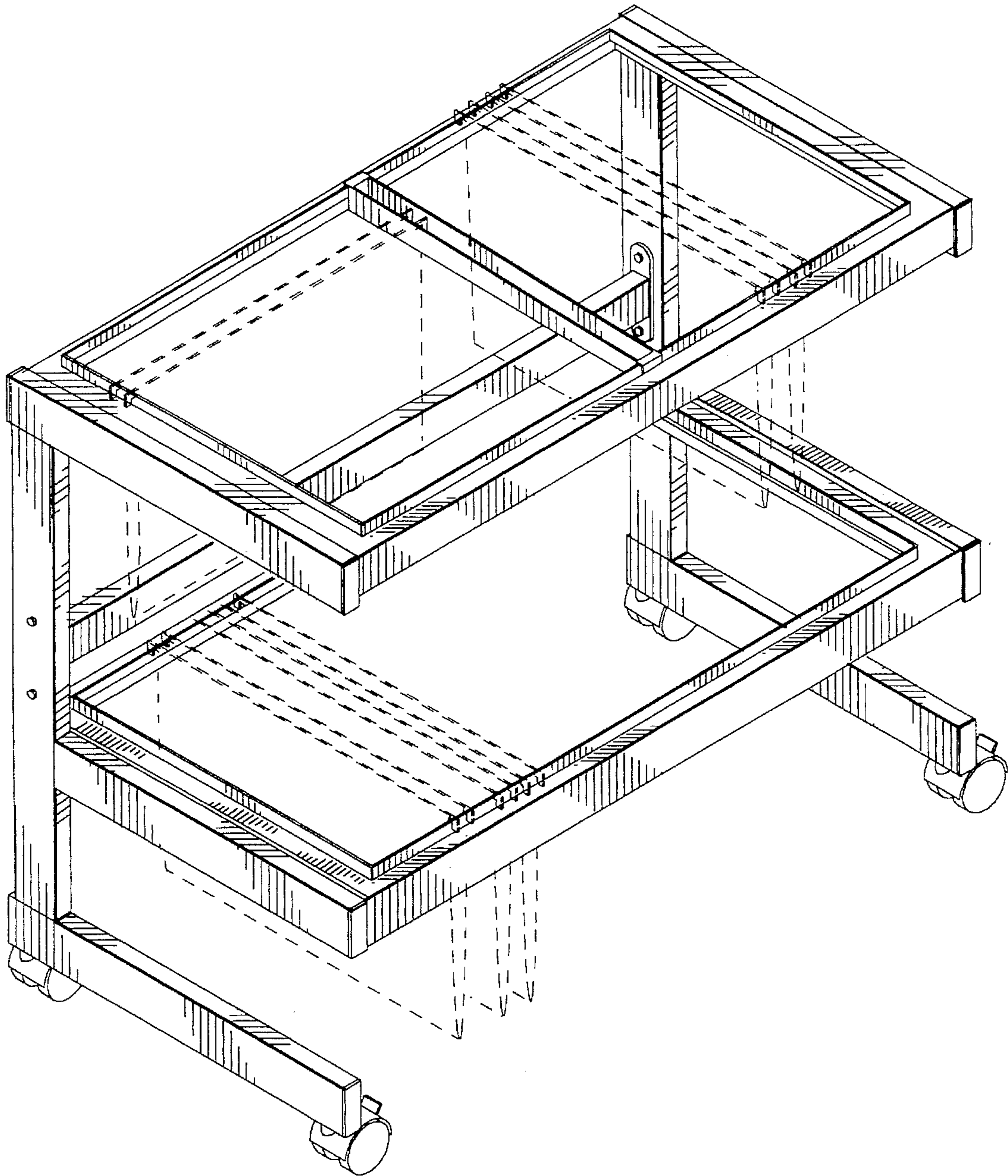


FIG.1

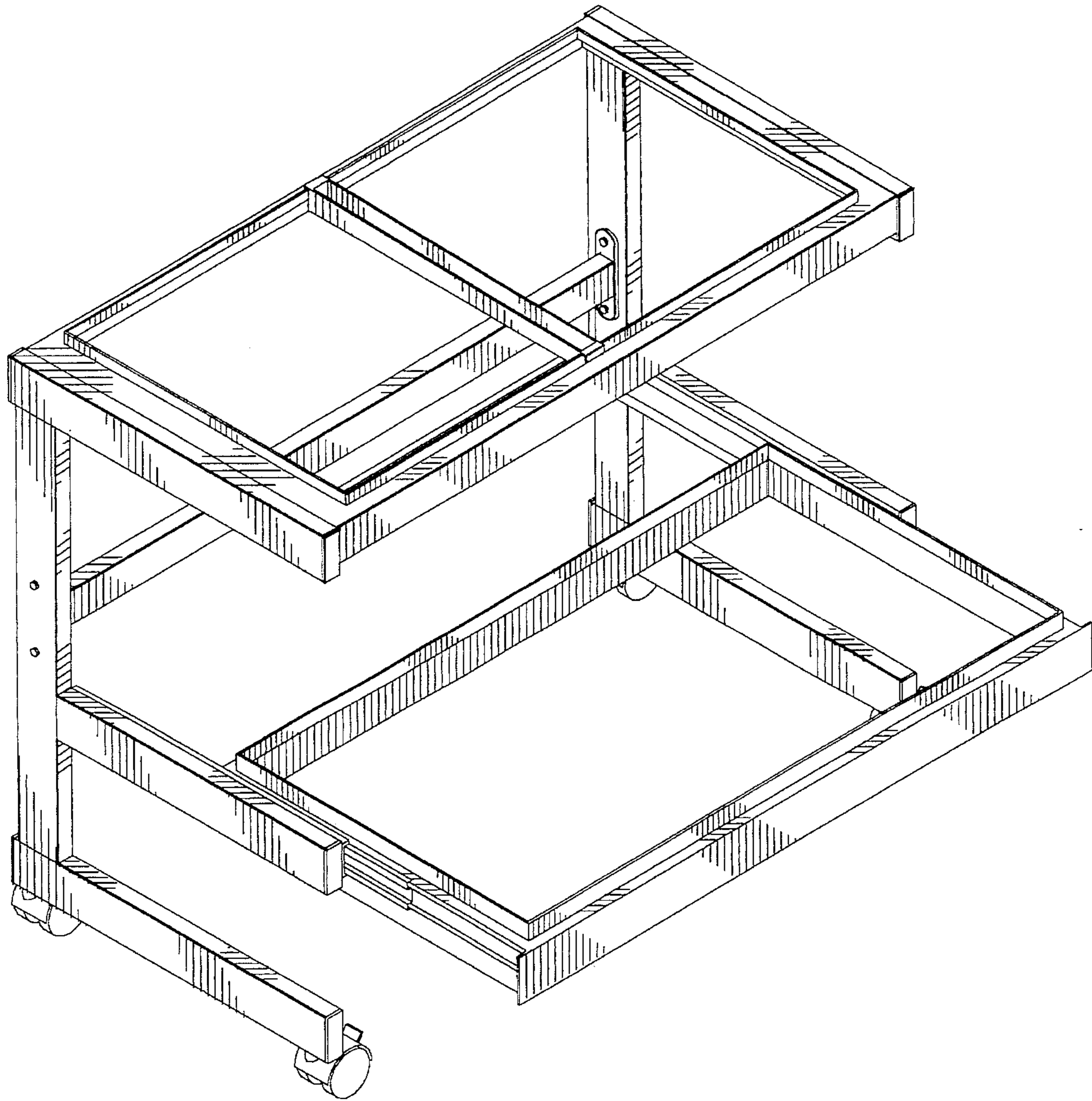


FIG.2

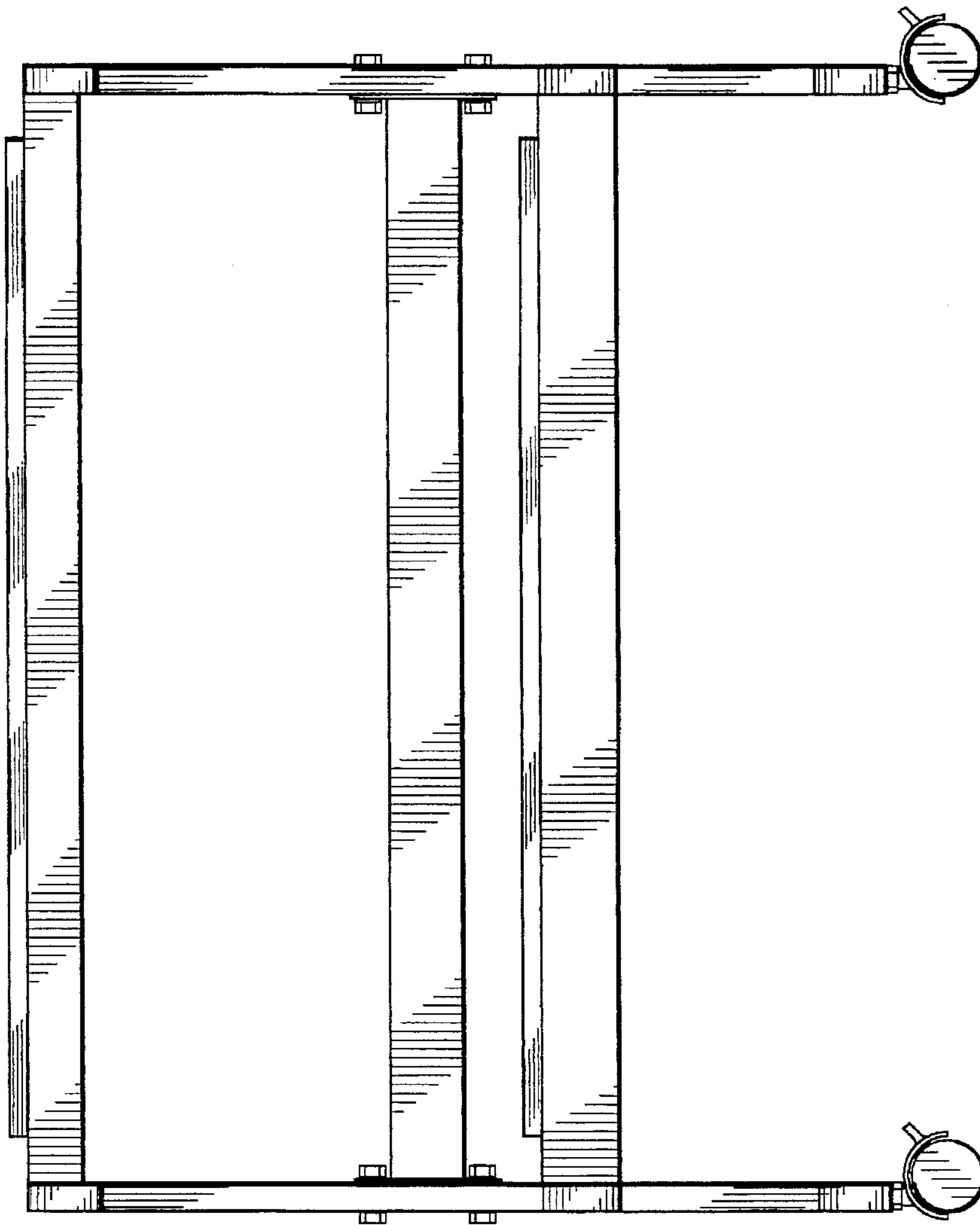


FIG. 4

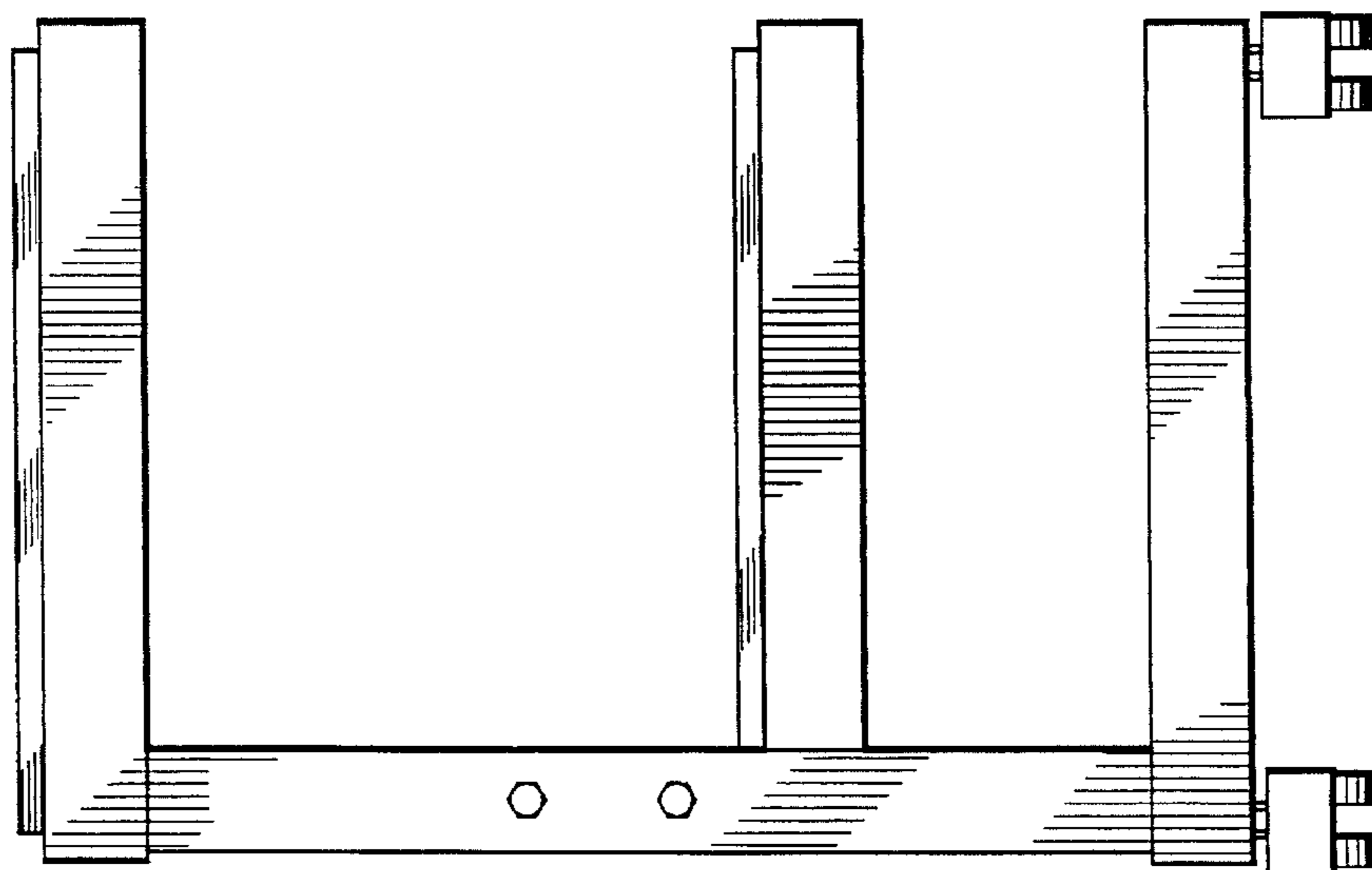


FIG. 3

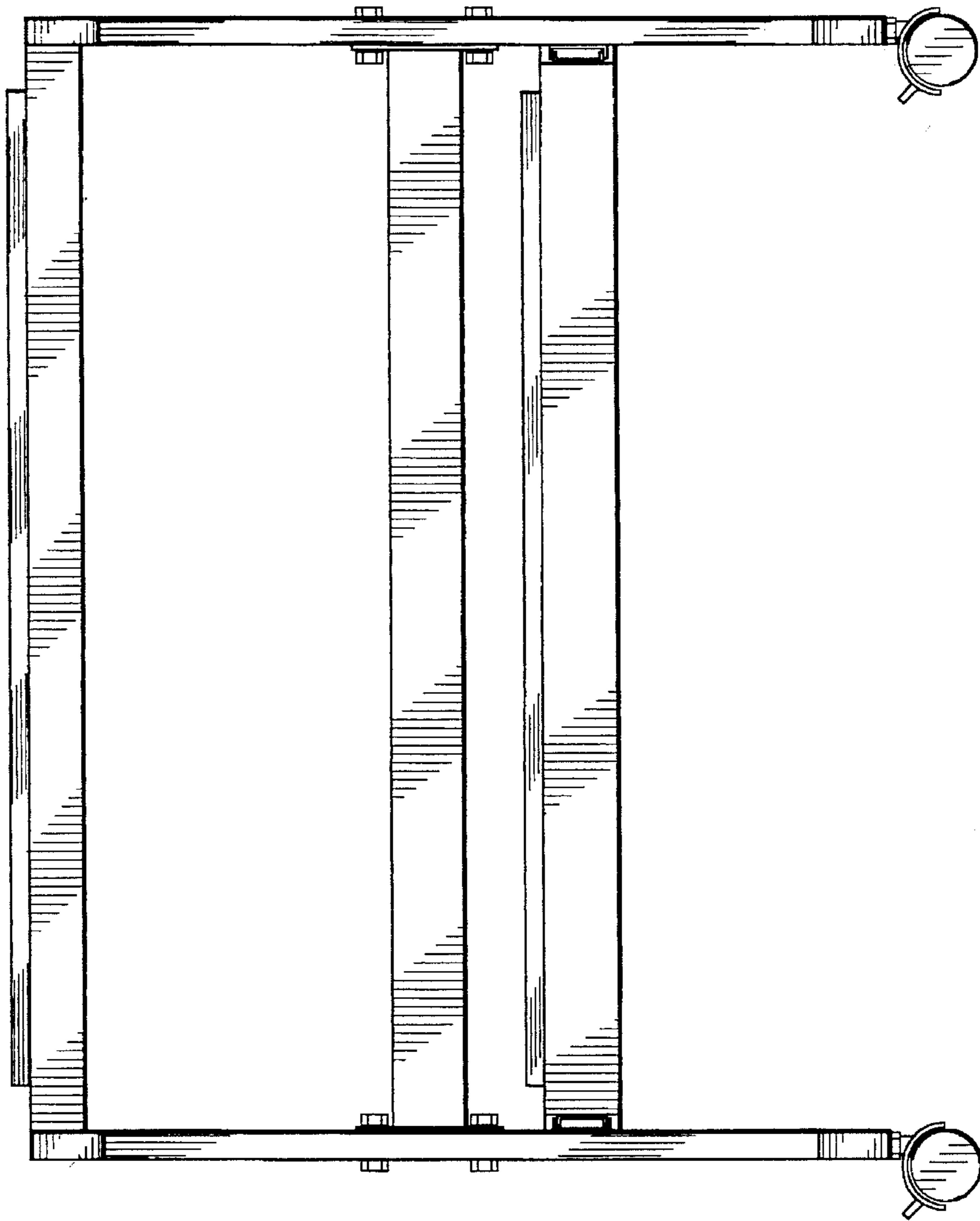


FIG. 5

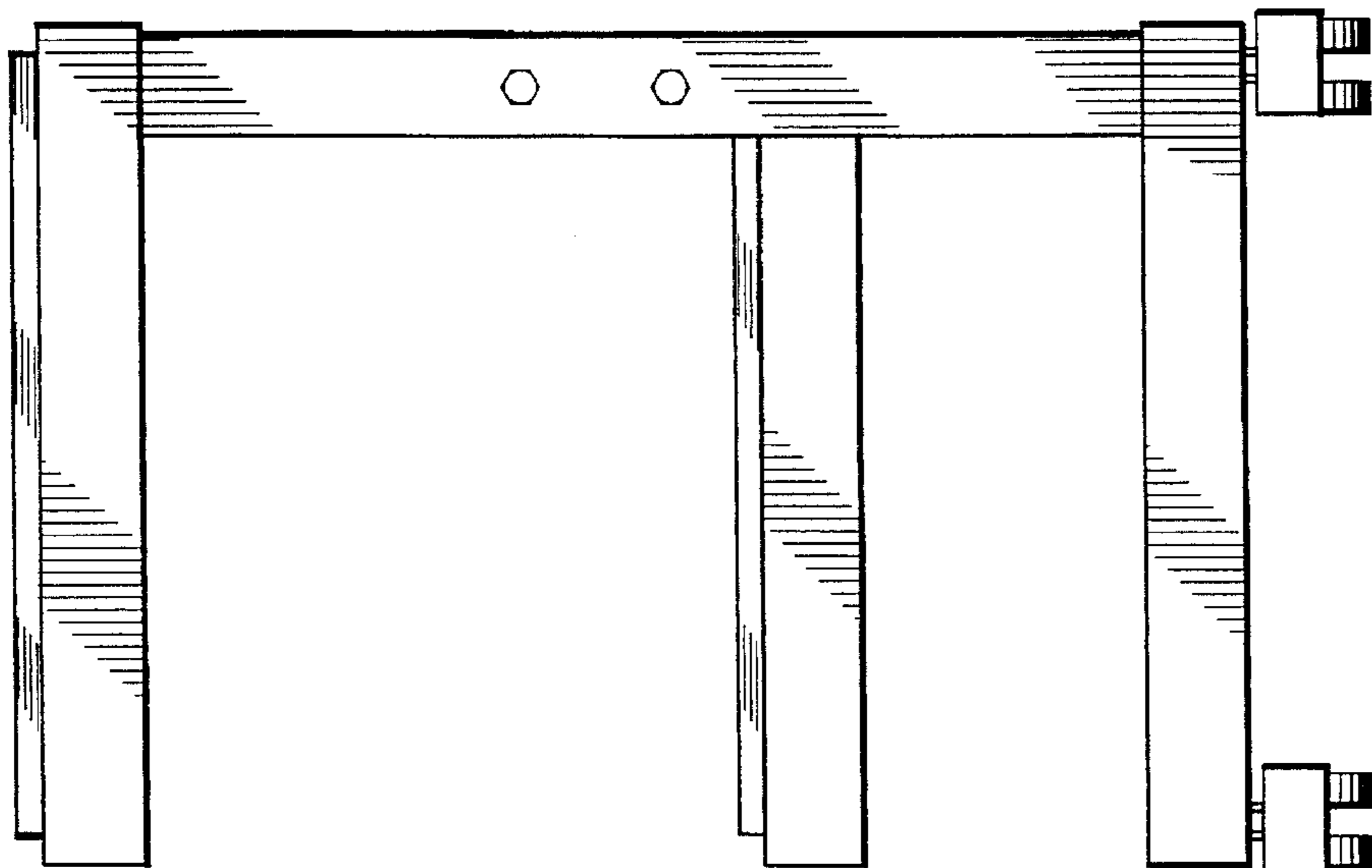


FIG. 6

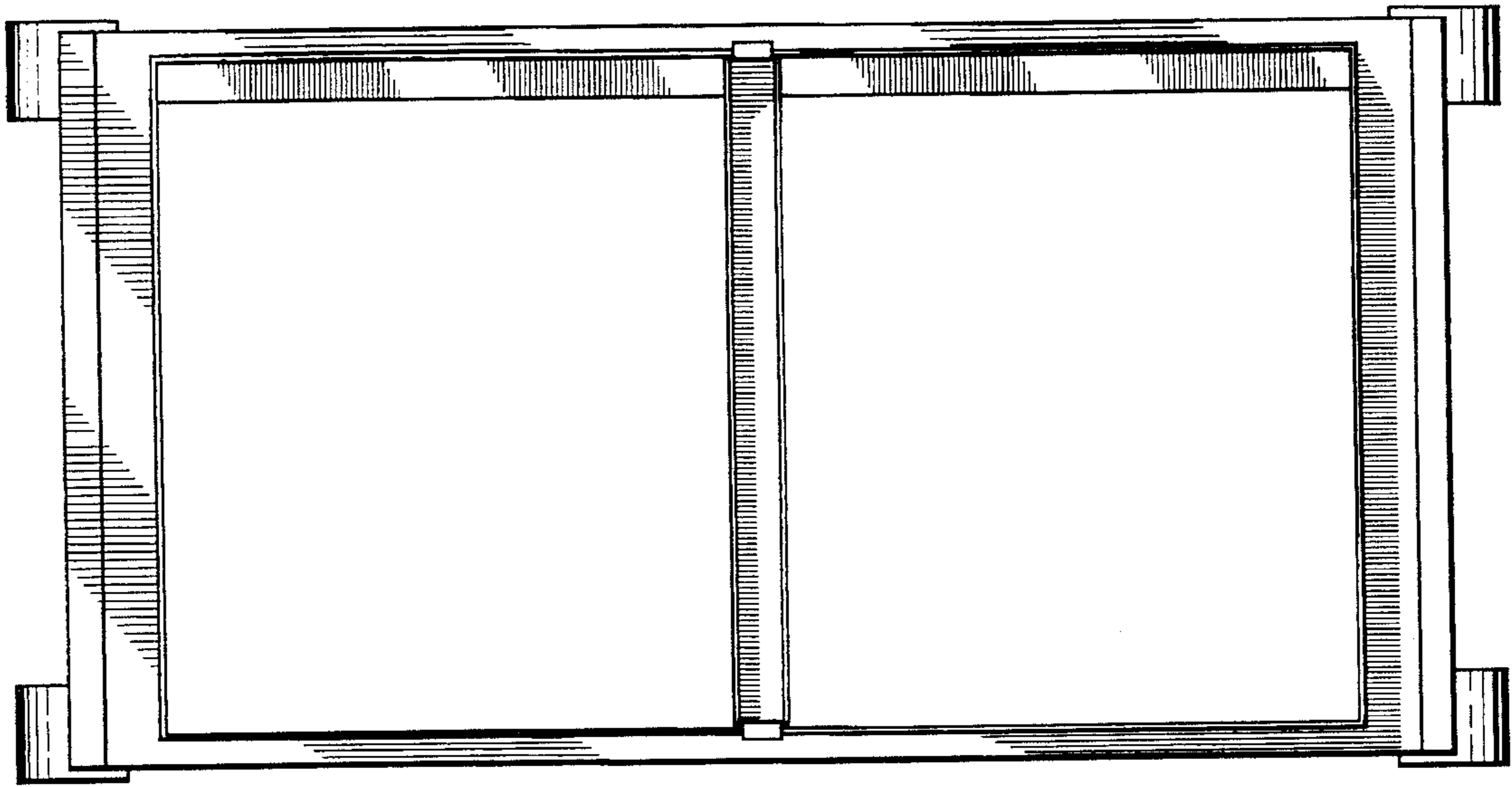


FIG. 7

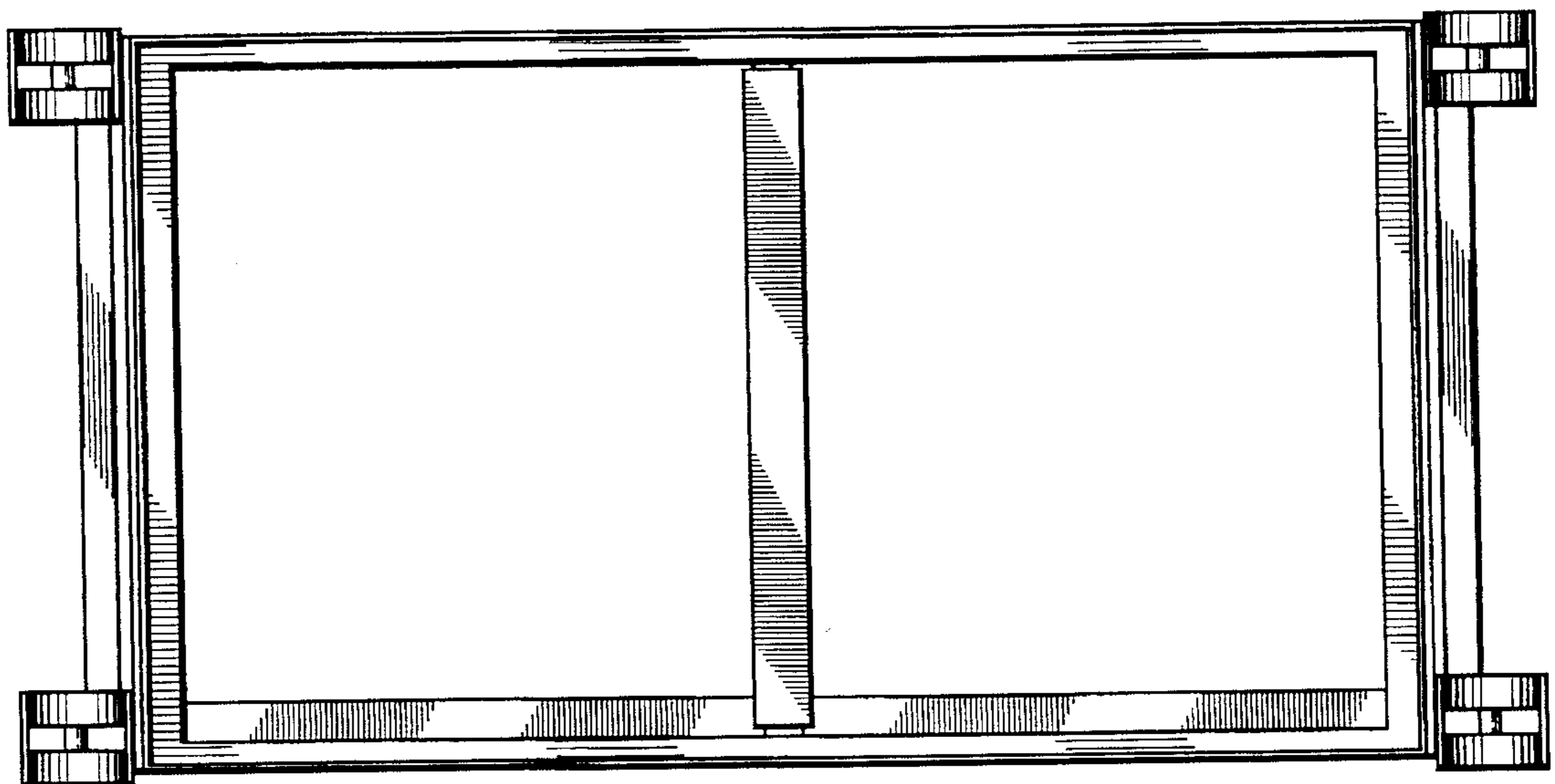


FIG. 8