



US00D377427S

United States Patent [19]

[11] Patent Number: **Des. 377,427**

Ashton, II

[45] Date of Patent: ****Jan. 21, 1997**

[54] DISPLAY FOR PLURALITY OF OBJECTS

Attorney, Agent, or Firm—Frijouf, Rust & Pyle, P.A.

[76] Inventor: **Thomas E. Ashton, II**, 11833 Branch Mooring Dr., Tampa, Fla. 33635

[57] CLAIM

[**] Term: **14 Years**

The ornamental design for a display for a plurality of objects, as shown and described.

[21] Appl. No.: **17,605**

DESCRIPTION

[22] Filed: **Jan. 18, 1994**

[52] U.S. Cl. **D6/474; D6/570**

[58] Field of Search D6/396, 397, 449, D6/450, 466-472, 474, 552, 569, 570; 206/5, 315.9; 211/13, 14, 134

FIG. 1 is a perspective view of my new design for a display for a plurality of objects;

FIG. 2 is a front view thereof;

FIG. 3 is a left side view thereof;

FIG. 4 is a right side view thereof;

FIG. 5 is a top view thereof;

FIG. 6 is a bottom view thereof; and,

FIG. 7 is a rear view thereof;

FIG. 8 is an enlarged partial sectional view of FIG. 1 taken along line 8—8;

FIG. 9 is an enlarged partial view of FIG. 8 taken along line 9—9 of FIG. 8;

FIG. 10 is a top view of FIG. 9;

FIG. 11 is a perspective view of a second embodiment of my new design for a display for a plurality of objects;

FIG. 12 is a front view thereof;

FIG. 13 is a left side view thereof;

FIG. 14 is a right side view thereof;

FIG. 15 is a top view thereof;

FIG. 16 is a bottom view thereof; and,

FIG. 17 is a rear view thereof;

FIG. 18 is a partial sectional view along line 18—18 in FIG. 11;

FIG. 19 is a partial view along line 19—19 in FIG. 18; and, FIG. 20 is a top view of FIG. 19.

[56] References Cited

U.S. PATENT DOCUMENTS

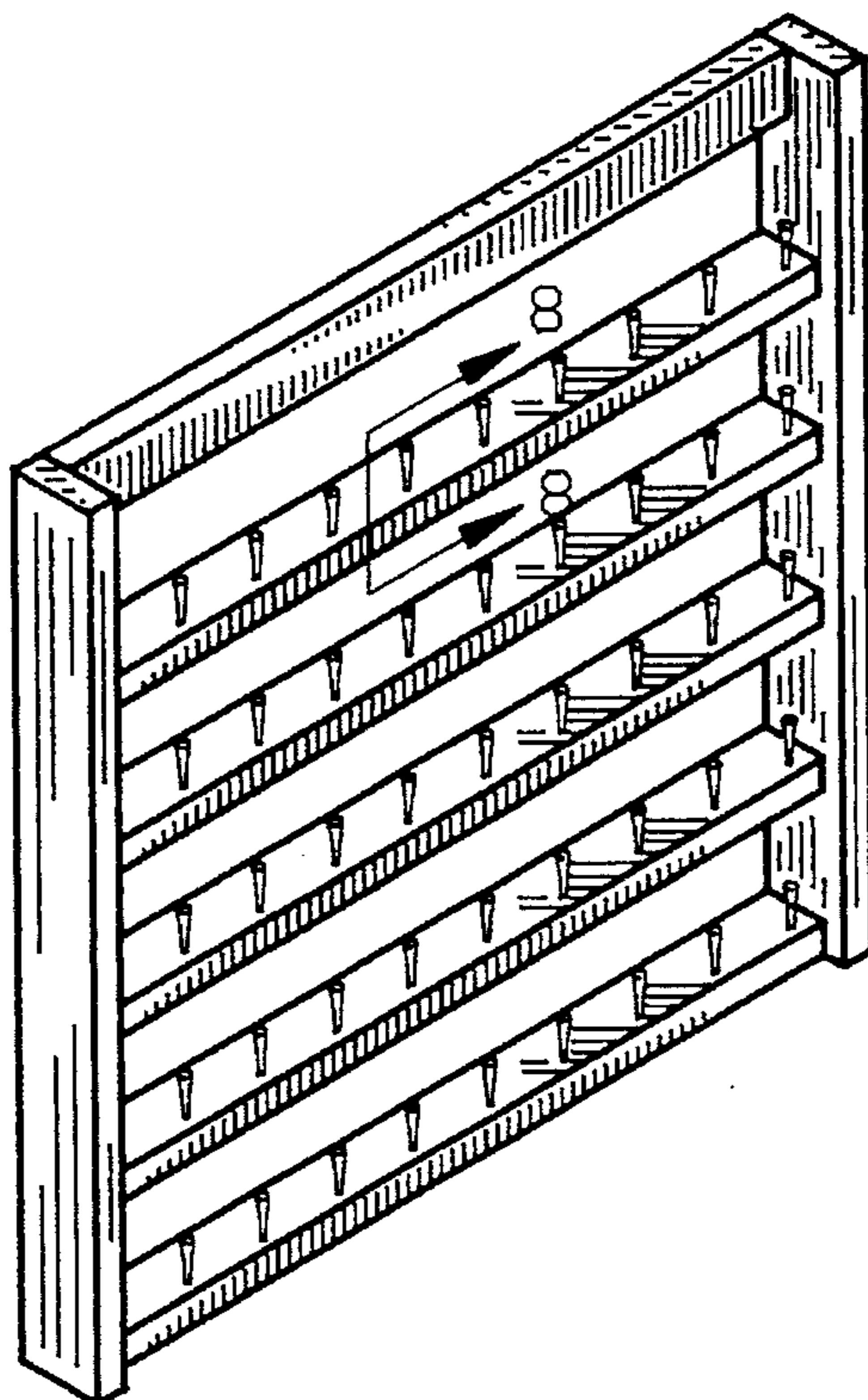
D. 296,630	7/1988	Renold et al.	D6/468
D. 325,849	5/1992	Melcher	D6/468 X
D. 331,344	12/1992	Williams	D6/552
D. 339,494	9/1993	Kocon	D6/552
2,172,172	9/1939	Mount	211/13 X
2,588,529	3/1952	Hume	211/13 X
3,604,705	9/1971	Hawthorne .	
4,203,568	5/1980	Daugherty	211/13 X
4,524,968	6/1985	Dolp .	
4,955,485	9/1990	Alton .	
5,234,114	8/1993	Coffey .	

OTHER PUBLICATIONS

Boxboard Containers, vol. 94, No. 1, Aug. 1986, p. 31—Executive Gift Set.

Primary Examiner—B. J. Bullock
Assistant Examiner—Linda Brooks

1 Claim, 4 Drawing Sheets



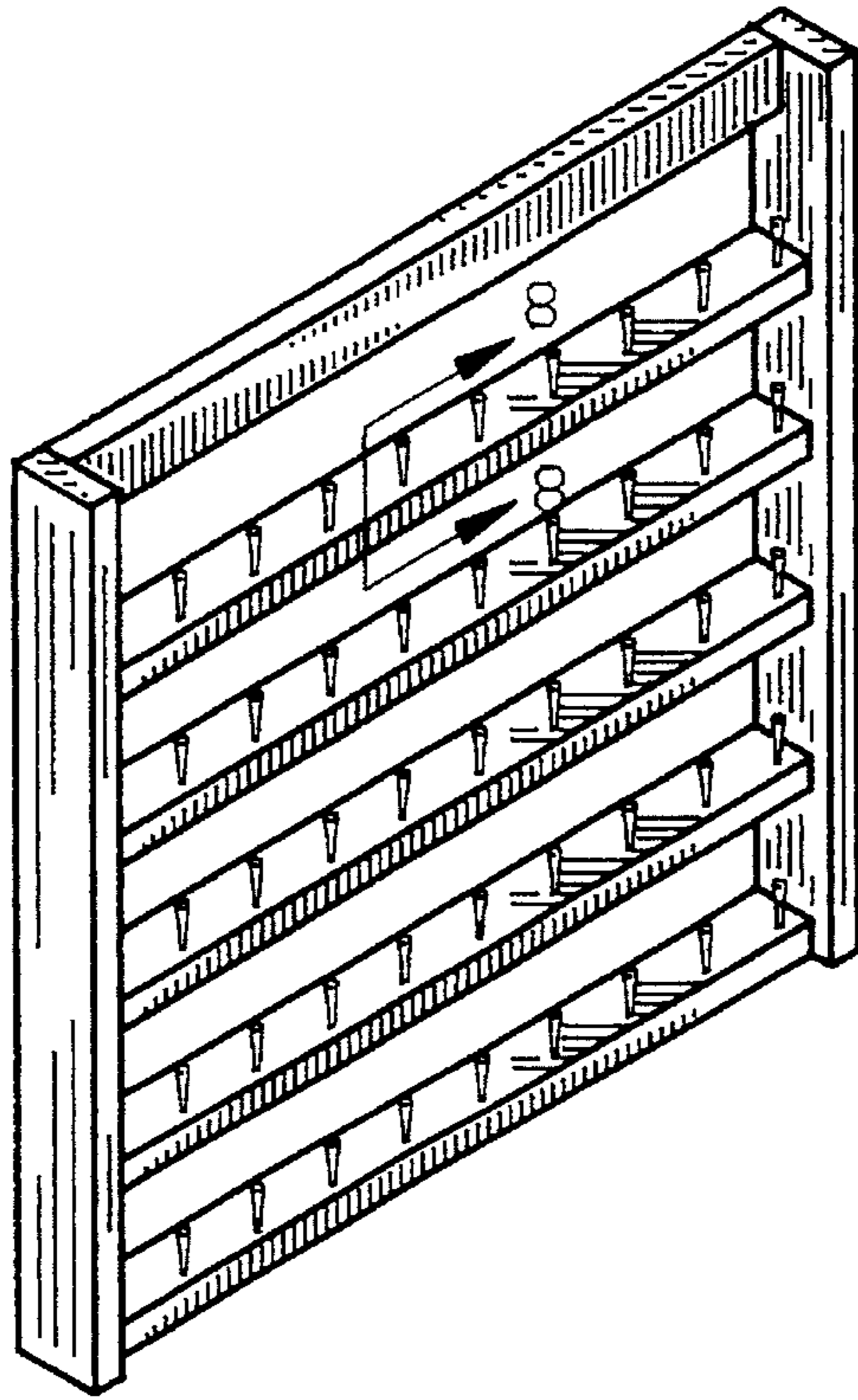


FIG. 1



FIG. 3

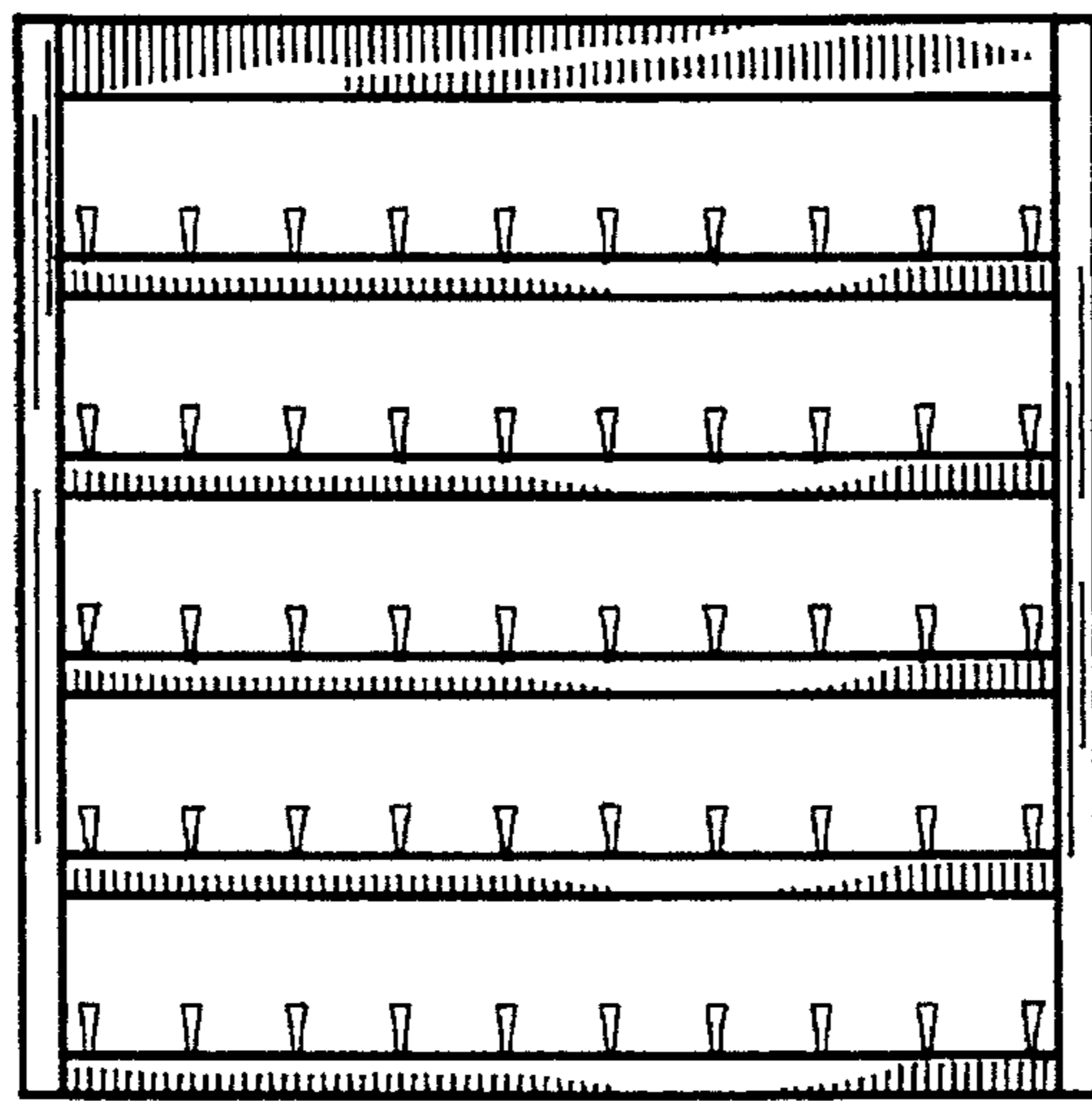


FIG. 2



FIG. 4



FIG. 5

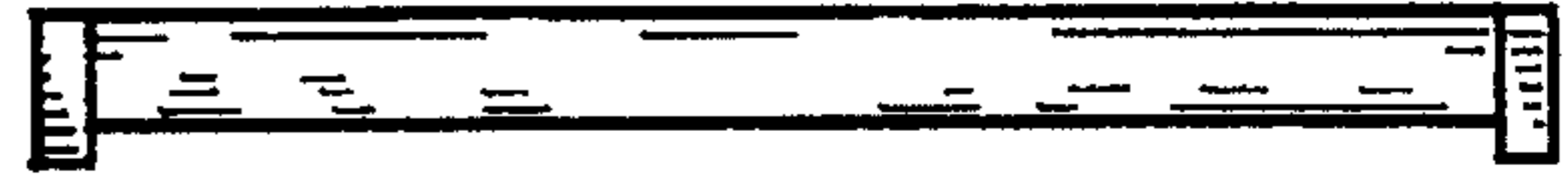


FIG. 6

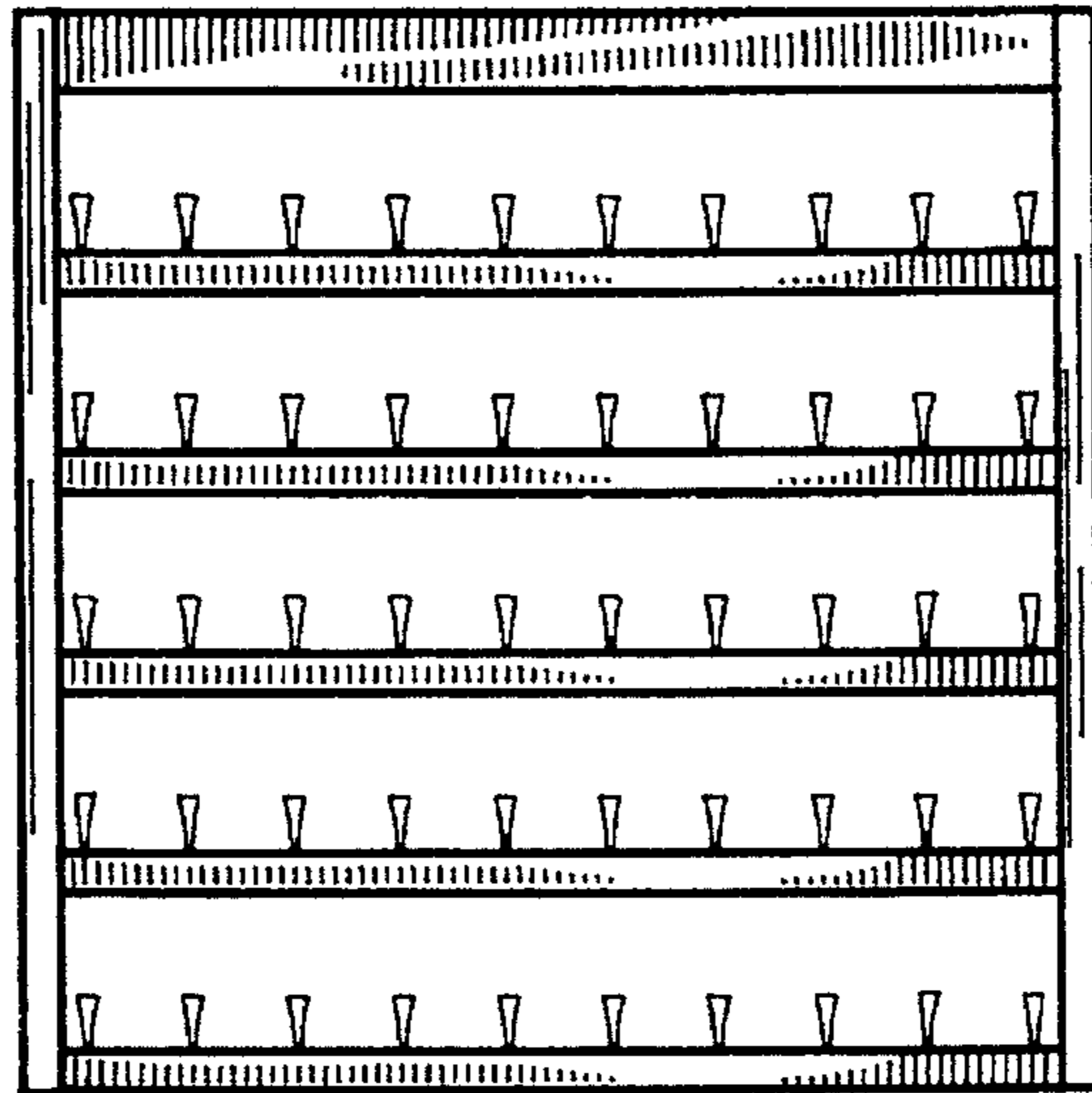


FIG. 7

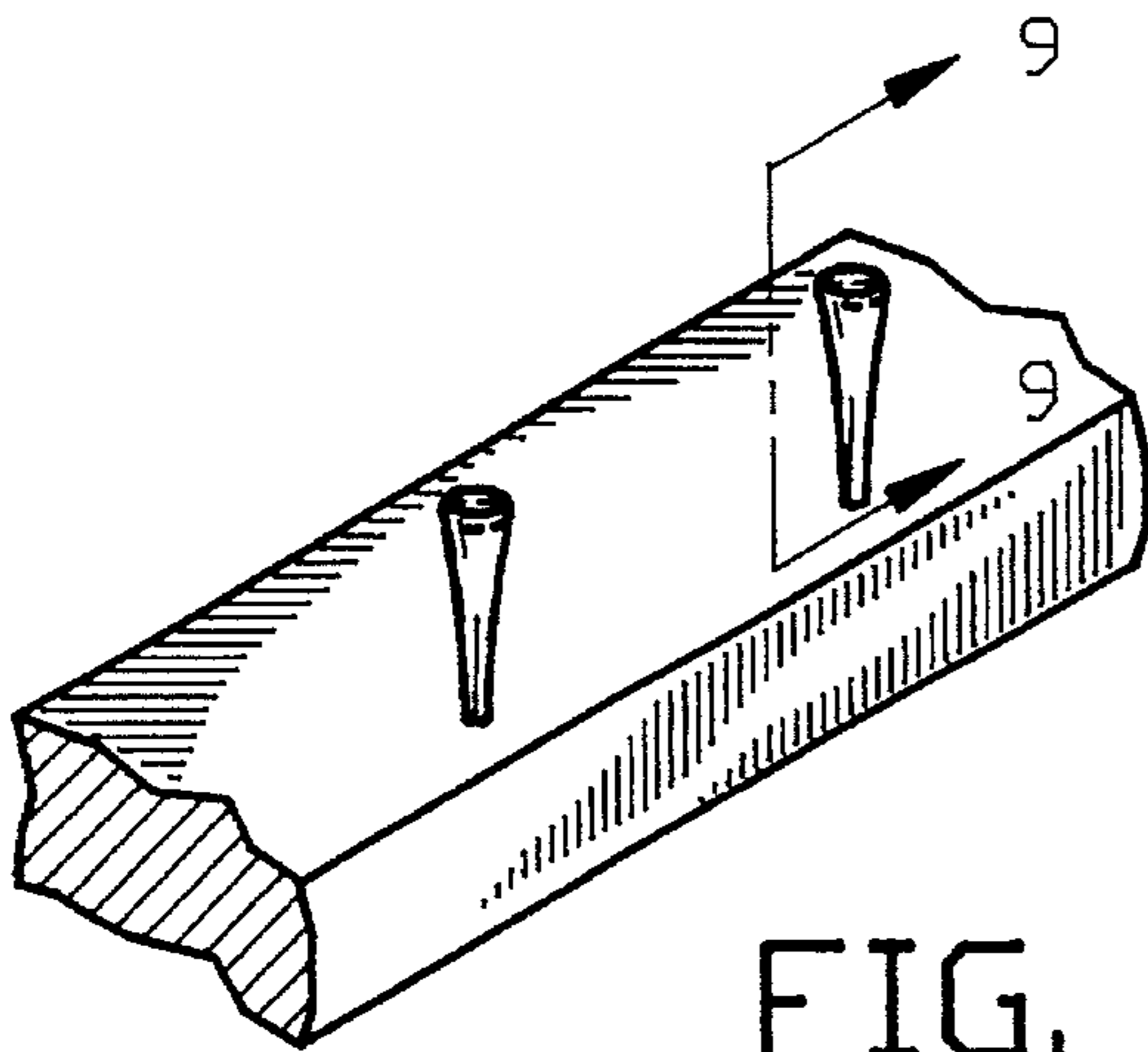


FIG. 8



FIG. 9



FIG. 10

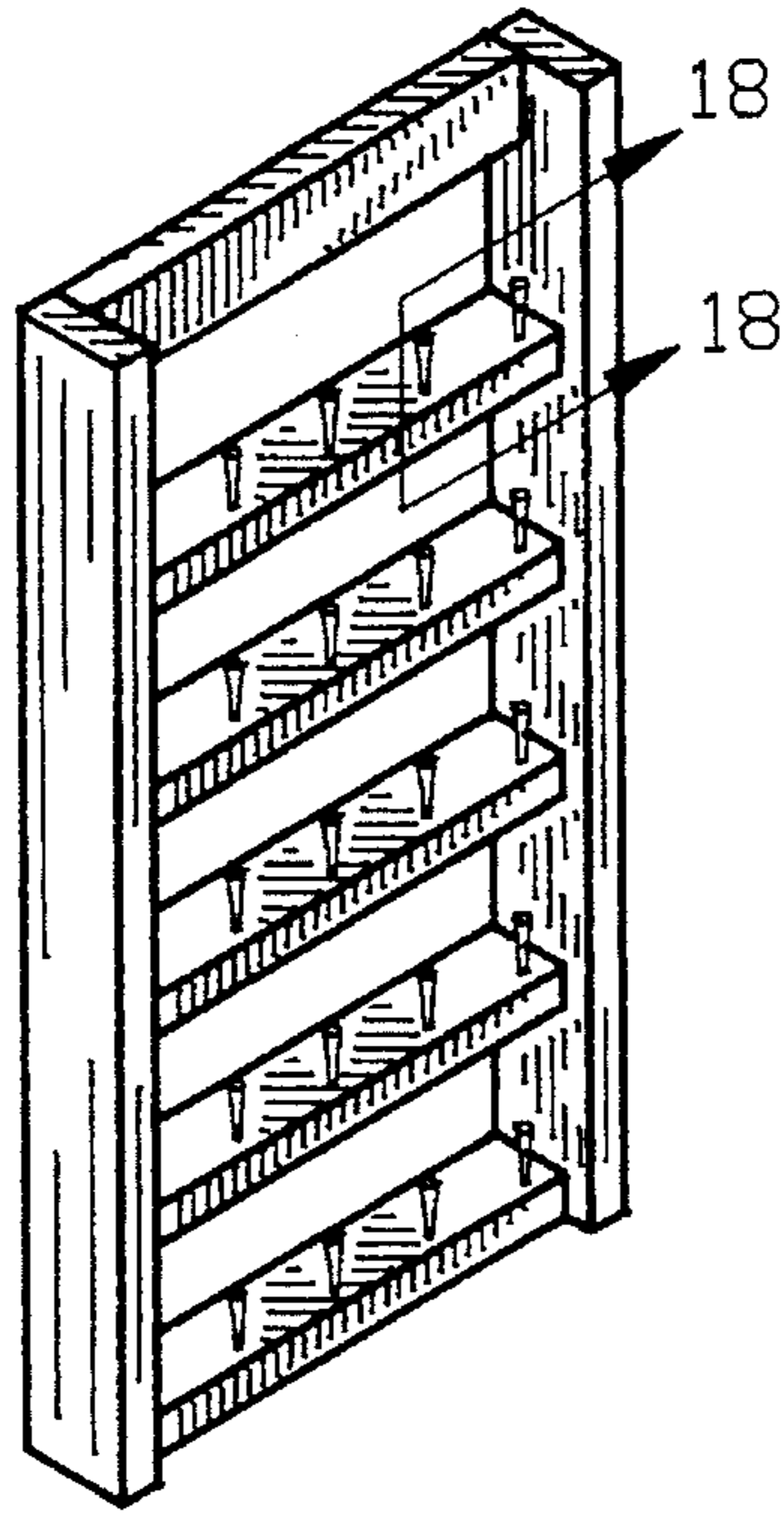


FIG. 11



FIG. 13

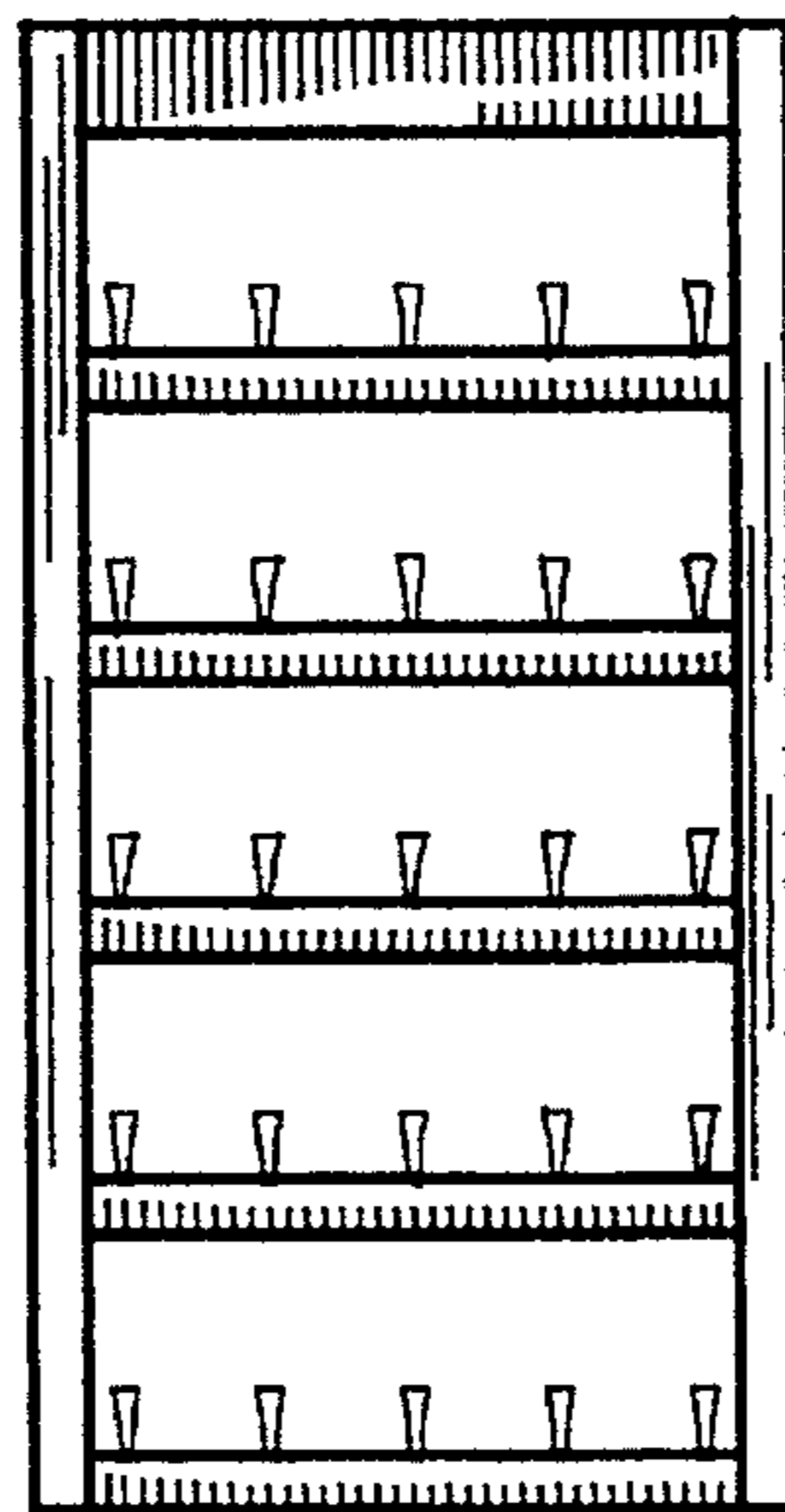


FIG. 12



FIG. 14



FIG. 15

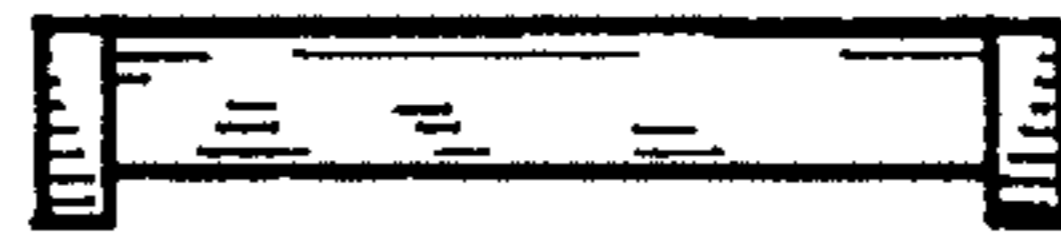


FIG. 16

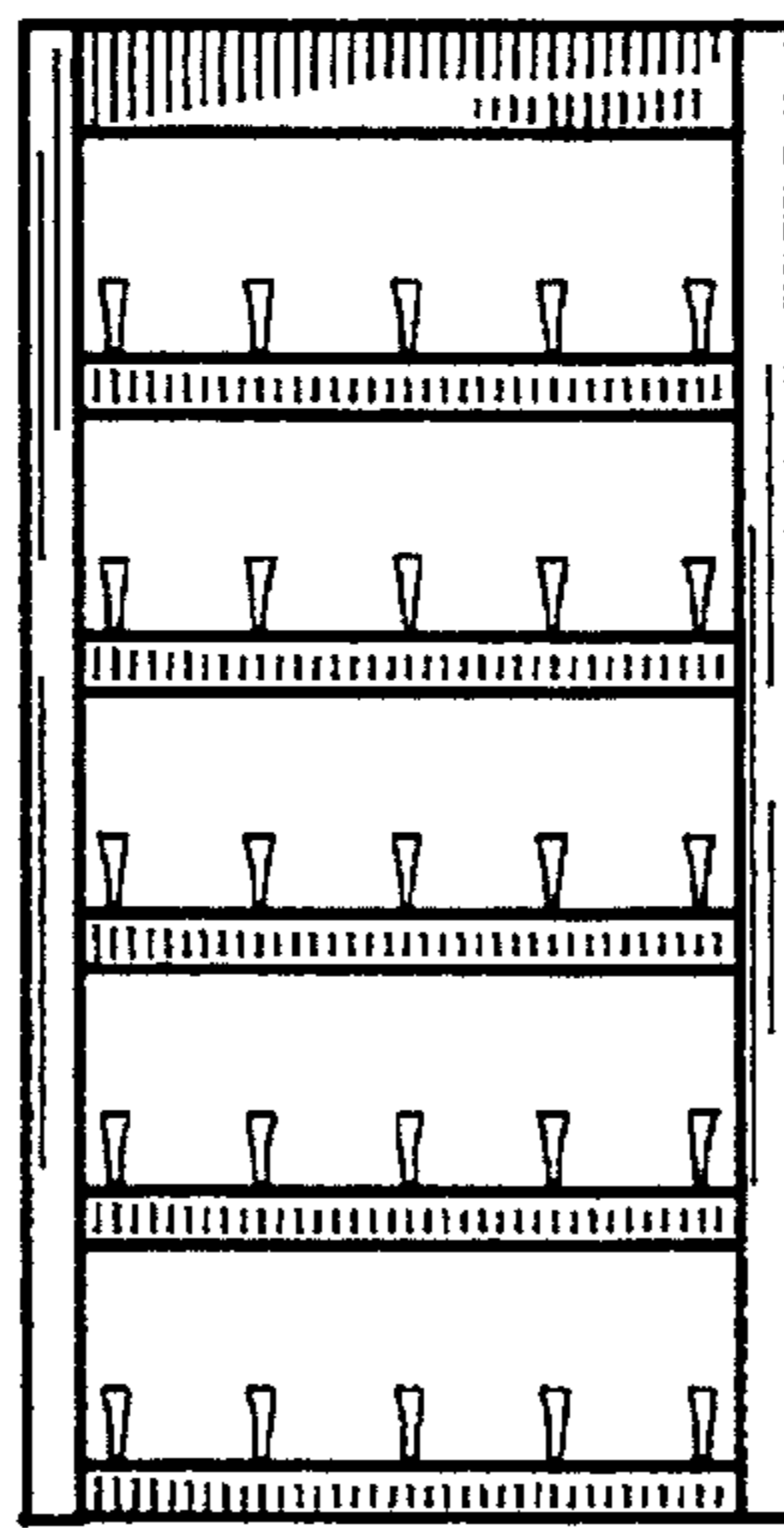


FIG. 17

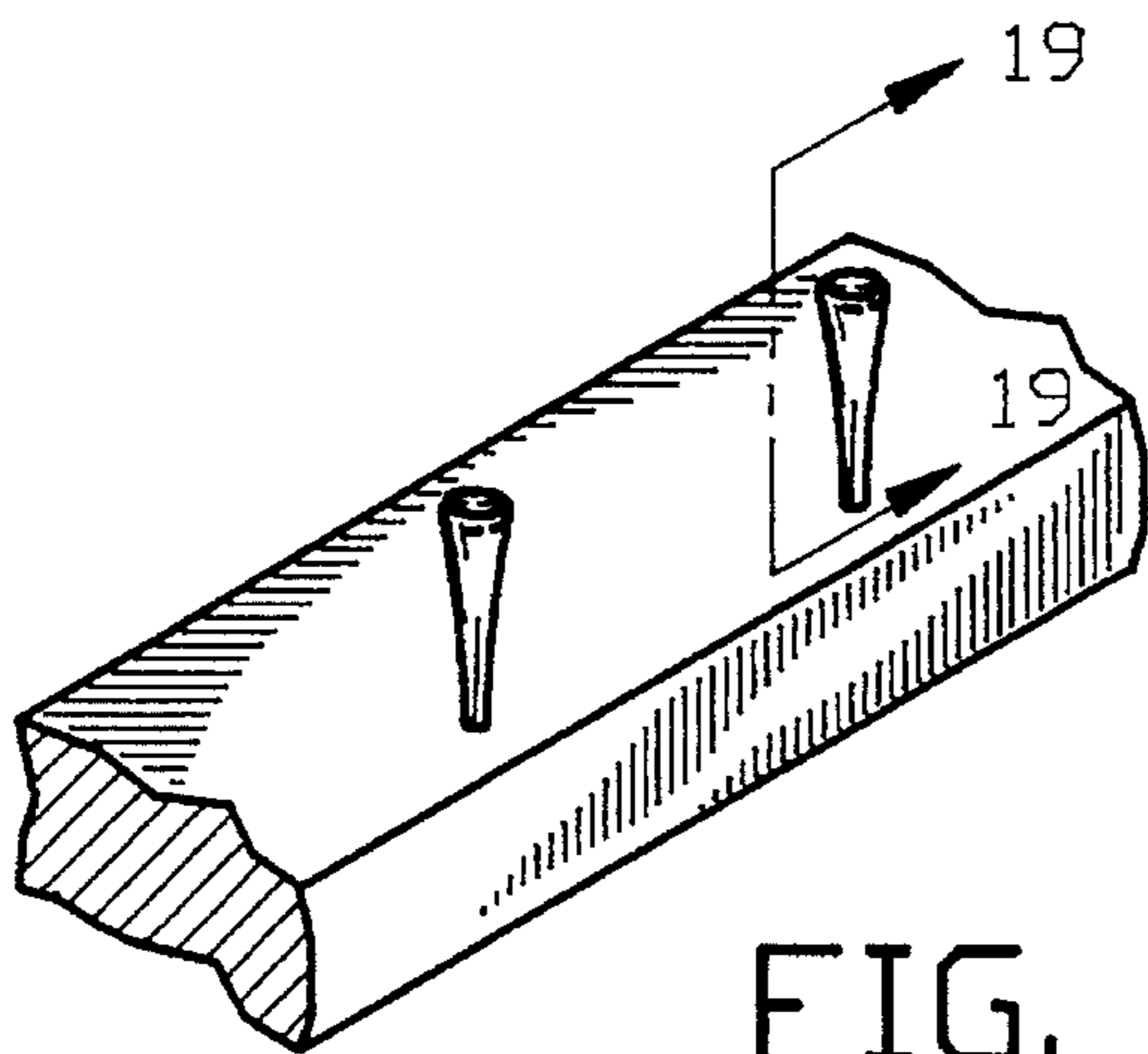


FIG. 18



FIG. 19



FIG. 20