



US00D377425S

United States Patent [19]

Stravitz

[11] Patent Number: **Des. 377,425**

[45] Date of Patent: ****Jan. 21, 1997**

[54] STORAGE DEVICE WITH SLIDE-OUT DRAWERS

[76] Inventor: **David M. Stravitz**, 16 Park Ave., Suite 14A, New York, N.Y. 10016

[**] Term: **14 Years**

[21] Appl. No.: **882,092**

[22] Filed: **May 7, 1992**

[52] U.S. Cl. **D6/407; D6/468**

[58] Field of Search **D6/407, 462-468, D6/553; D3/35; 211/40, 42, 50**

[56] References Cited

U.S. PATENT DOCUMENTS

D. 181,901	1/1958	Clarke	D6/407
D. 228,715	10/1973	McRae	D6/407
D. 235,833	7/1975	McRae	D6/407
D. 272,400	1/1984	Dersch	D3/35 X
D. 273,546	4/1984	Ogg, Jr. et al.	D6/468
D. 276,110	10/1984	Savelkouls	D6/478 X
D. 286,596	11/1986	Leo, Sr.	D6/468 X
D. 295,930	5/1988	Drake et al.	D6/407
D. 297,988	10/1988	Maurer et al.	D6/479
D. 319,741	9/1991	Sylvester	D6/468 X
3,197,926	8/1965	Shumaker	D6/477 X

Primary Examiner—Jeffrey Asch
Attorney, Agent, or Firm—Frishauf, Holtz, Goodman & Woodward

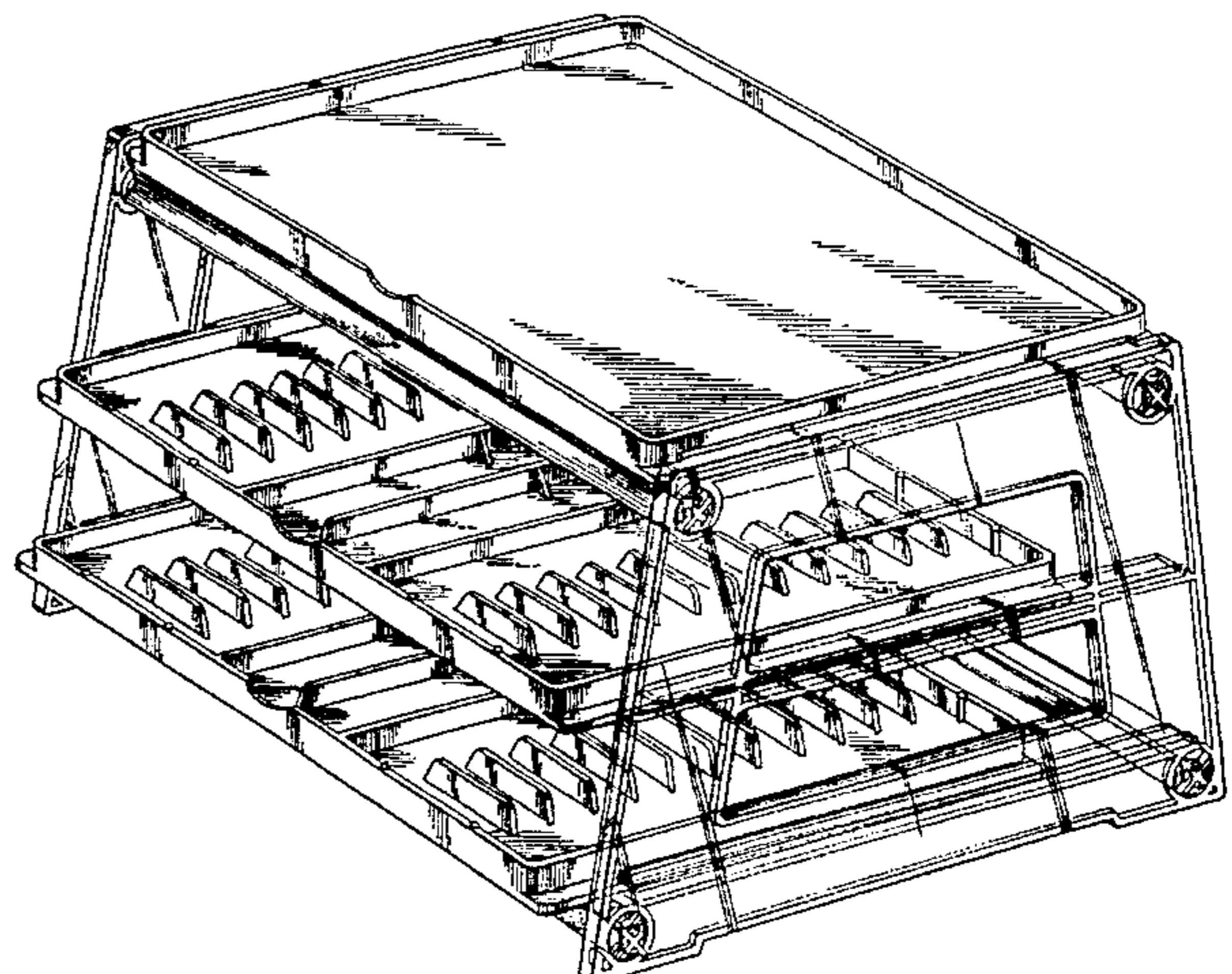
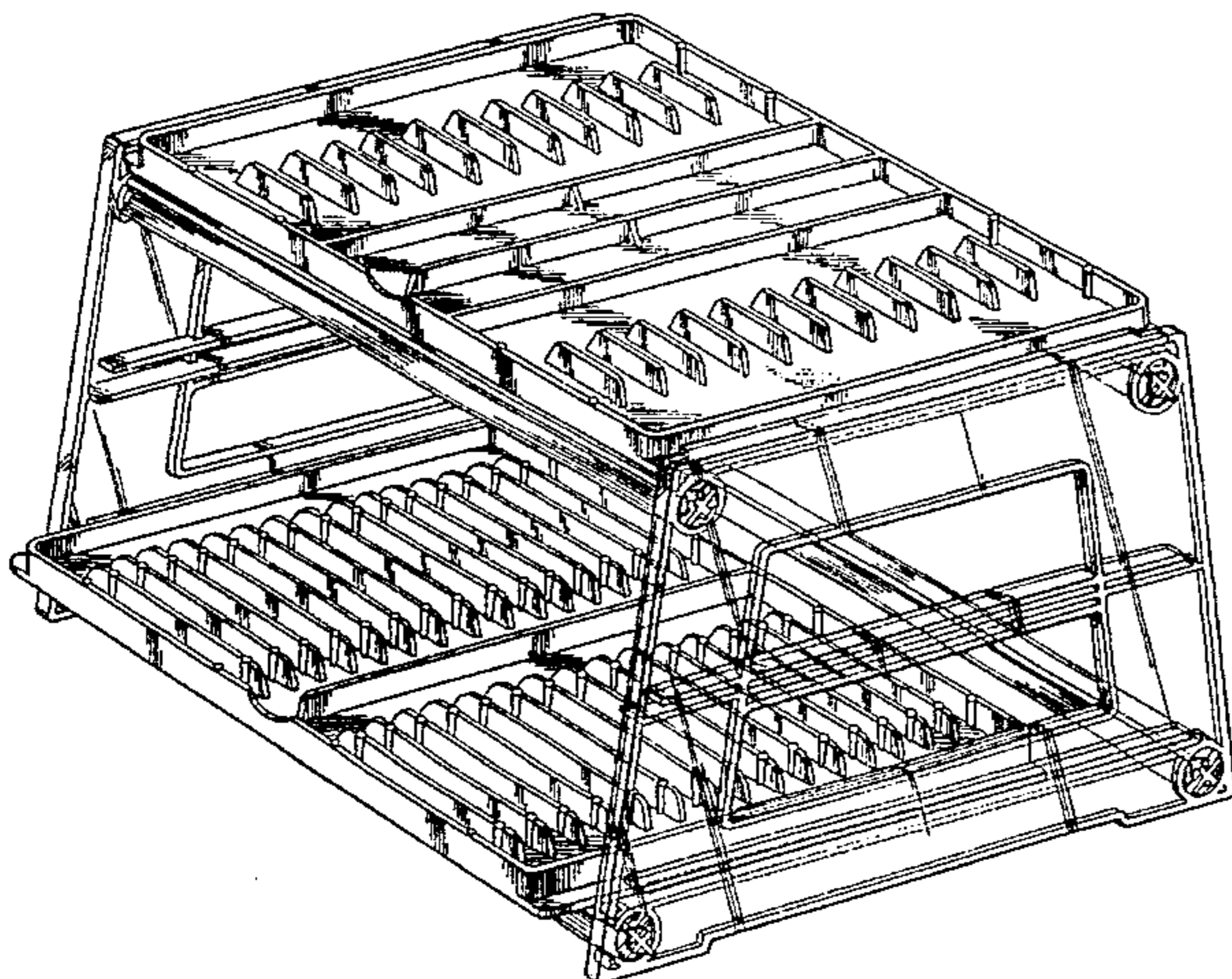
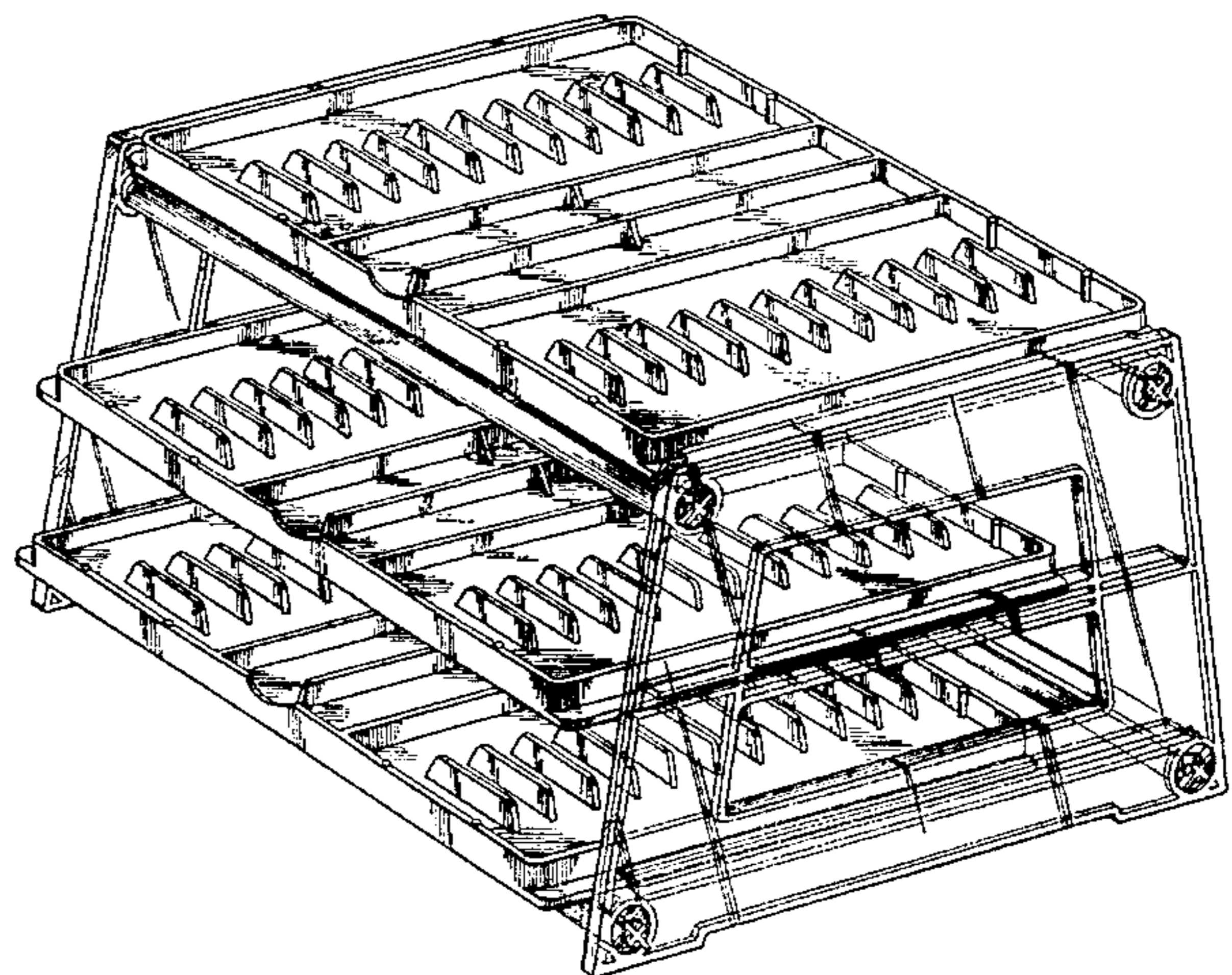
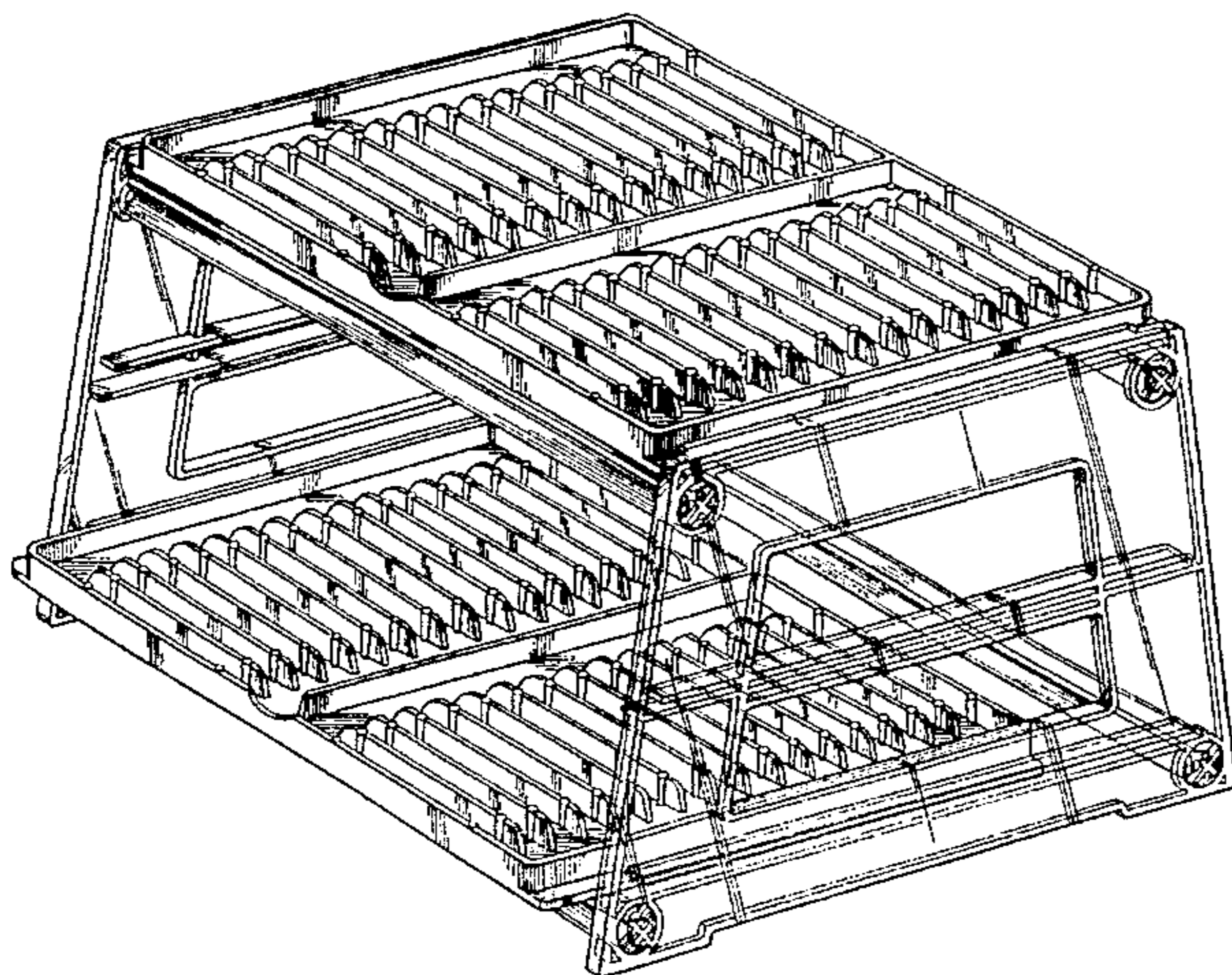
[57] CLAIM

The ornamental design for a storage device with slide-out drawers, as shown and described.

DESCRIPTION

FIG. 1 is a perspective view of a storage device with slide-out trays showing my new design;
 FIG. 2 is a perspective view of a second embodiment of that shown in FIG. 1;
 FIG. 3 is a perspective view of a third embodiment of that shown in FIG. 1;
 FIG. 4 is a perspective view of a fourth embodiment of that shown in FIG. 1;
 FIG. 5 is a perspective view of that shown in FIGS. 1-4 with the slide-out trays removed for convenience of illustration;
 FIG. 6 is a front elevational view thereof, the rear being a mirror image thereof;
 FIG. 7 is a right side elevational view thereof;
 FIG. 8 is a top plan view thereof; and,
 FIG. 9 is a bottom plan view thereof.

1 Claim, 7 Drawing Sheets



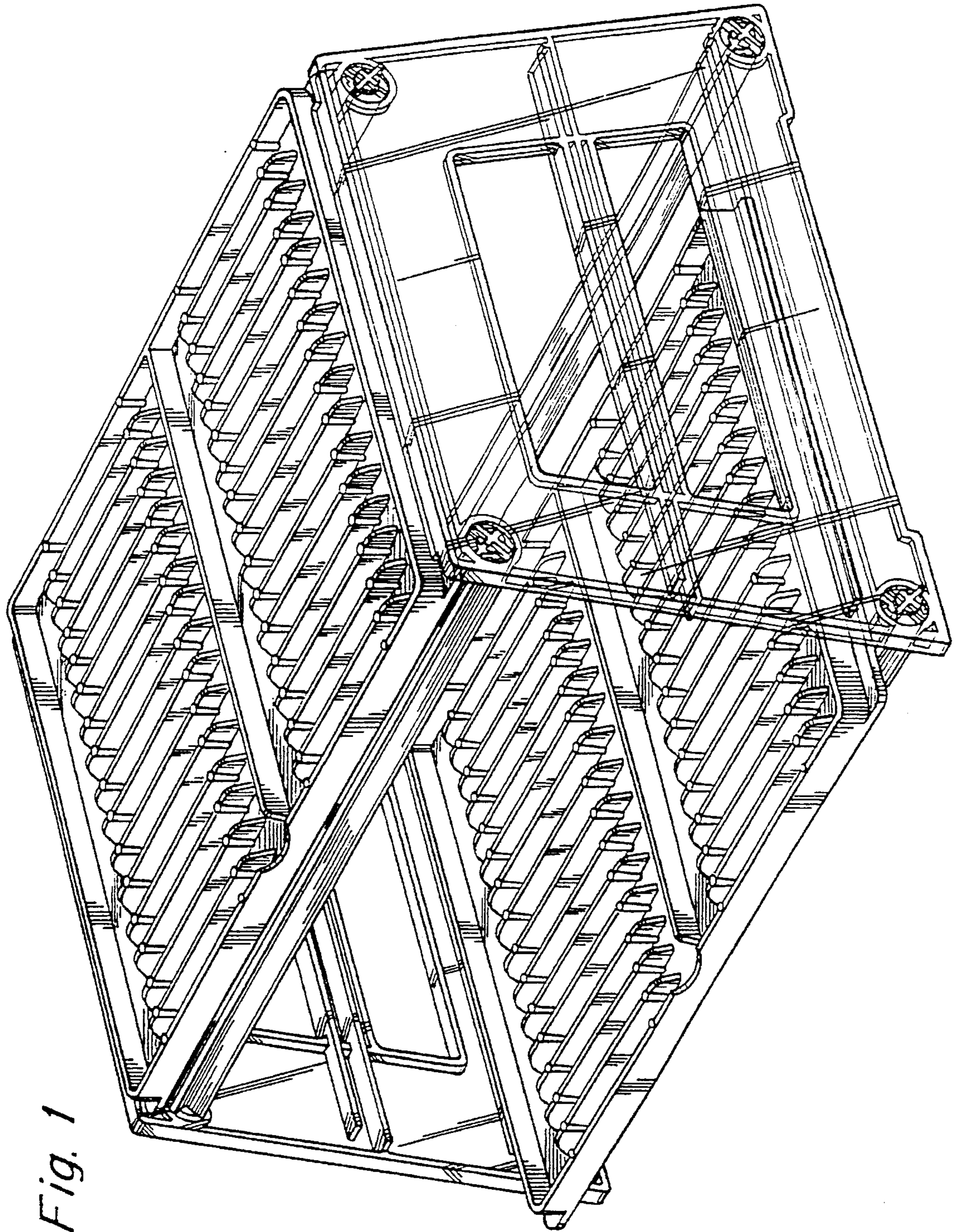


Fig. 1

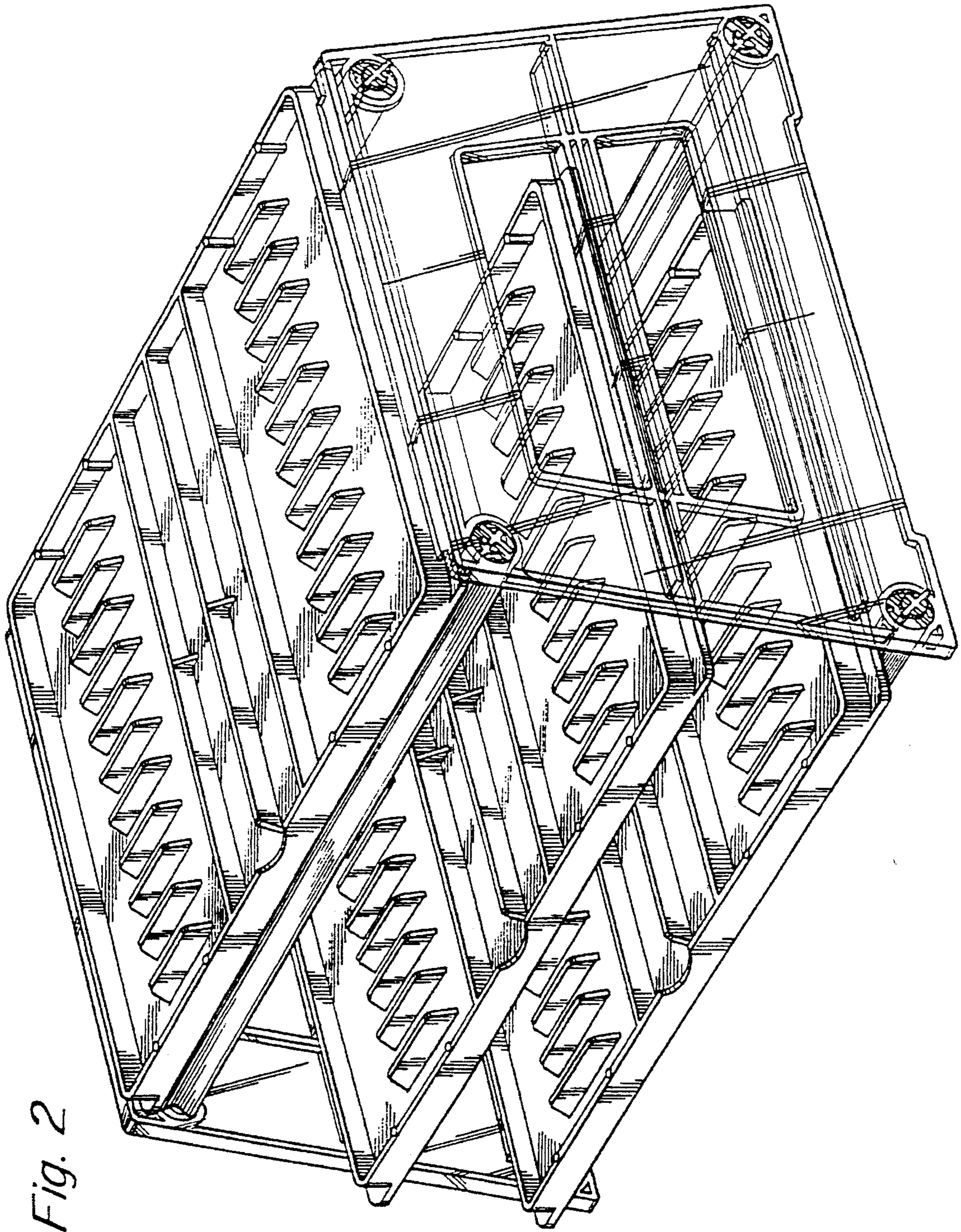


Fig. 2

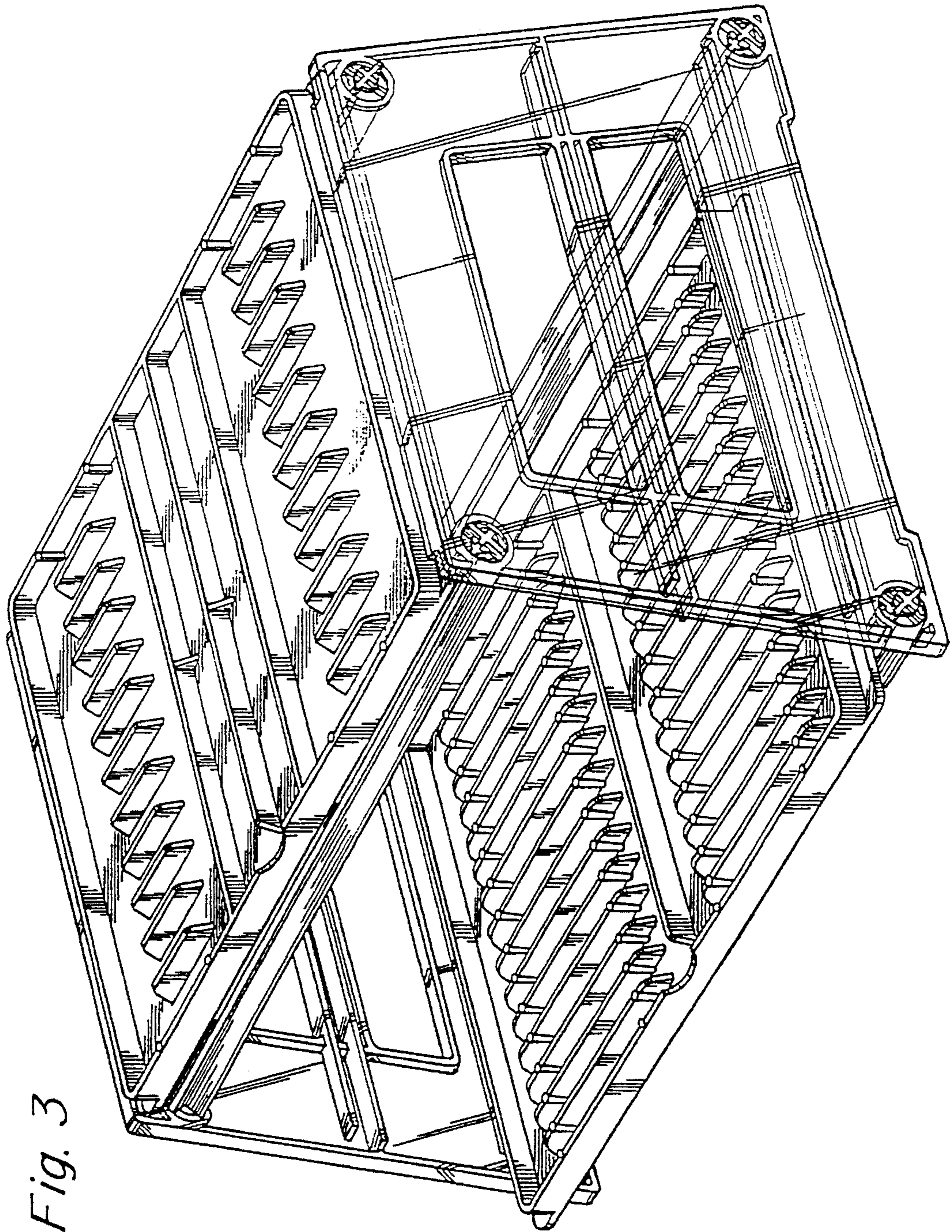


Fig. 3

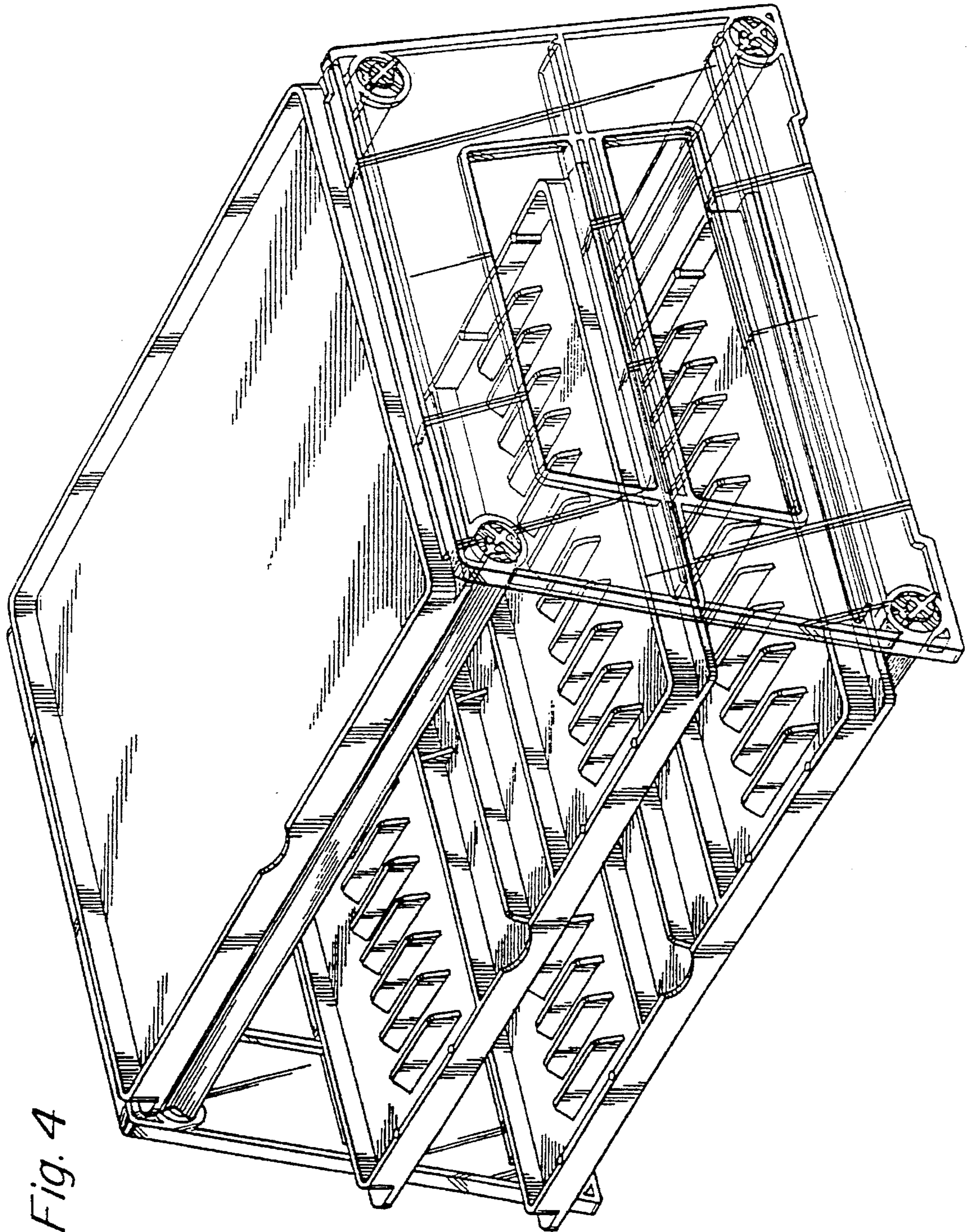


Fig. 4

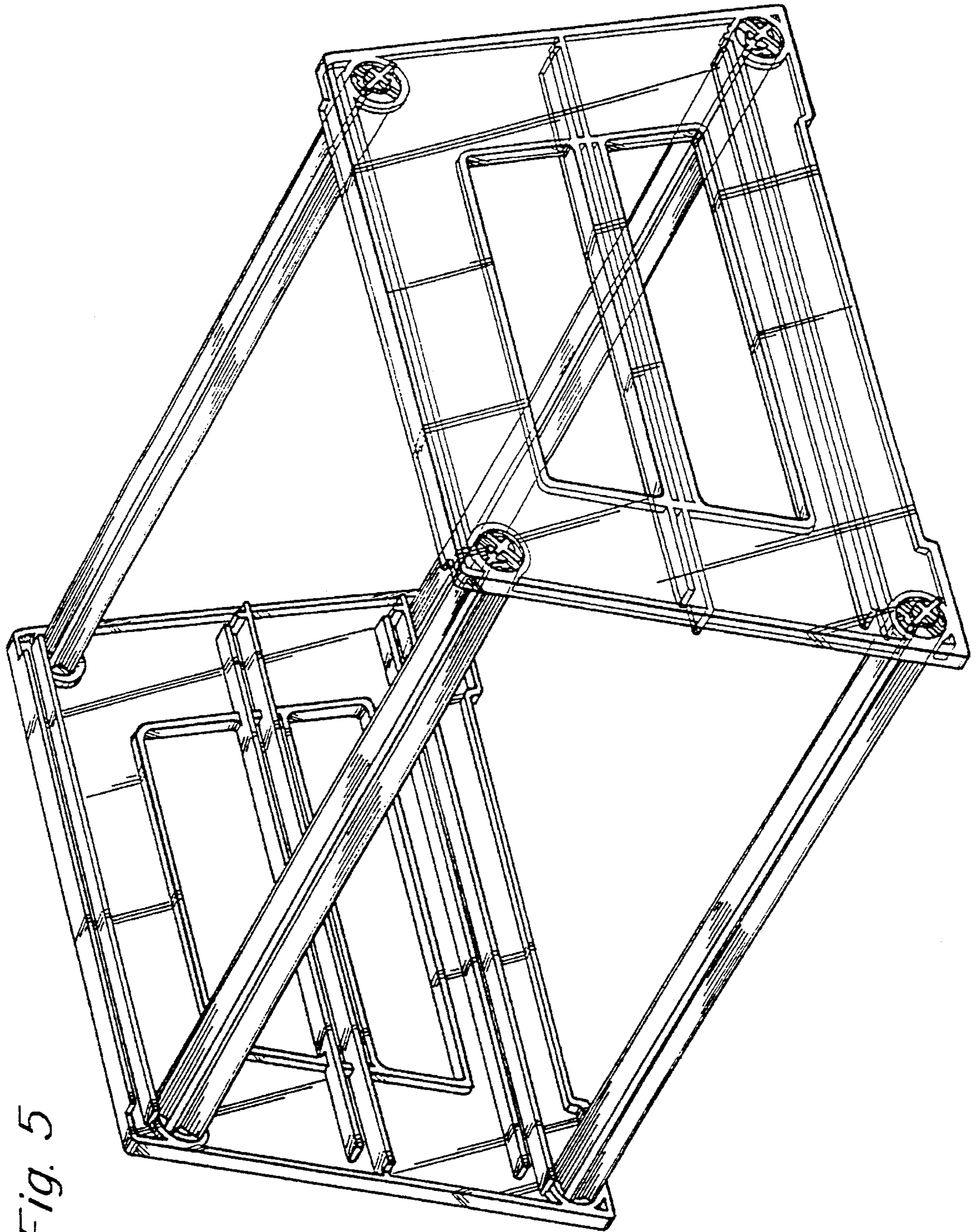


Fig. 5

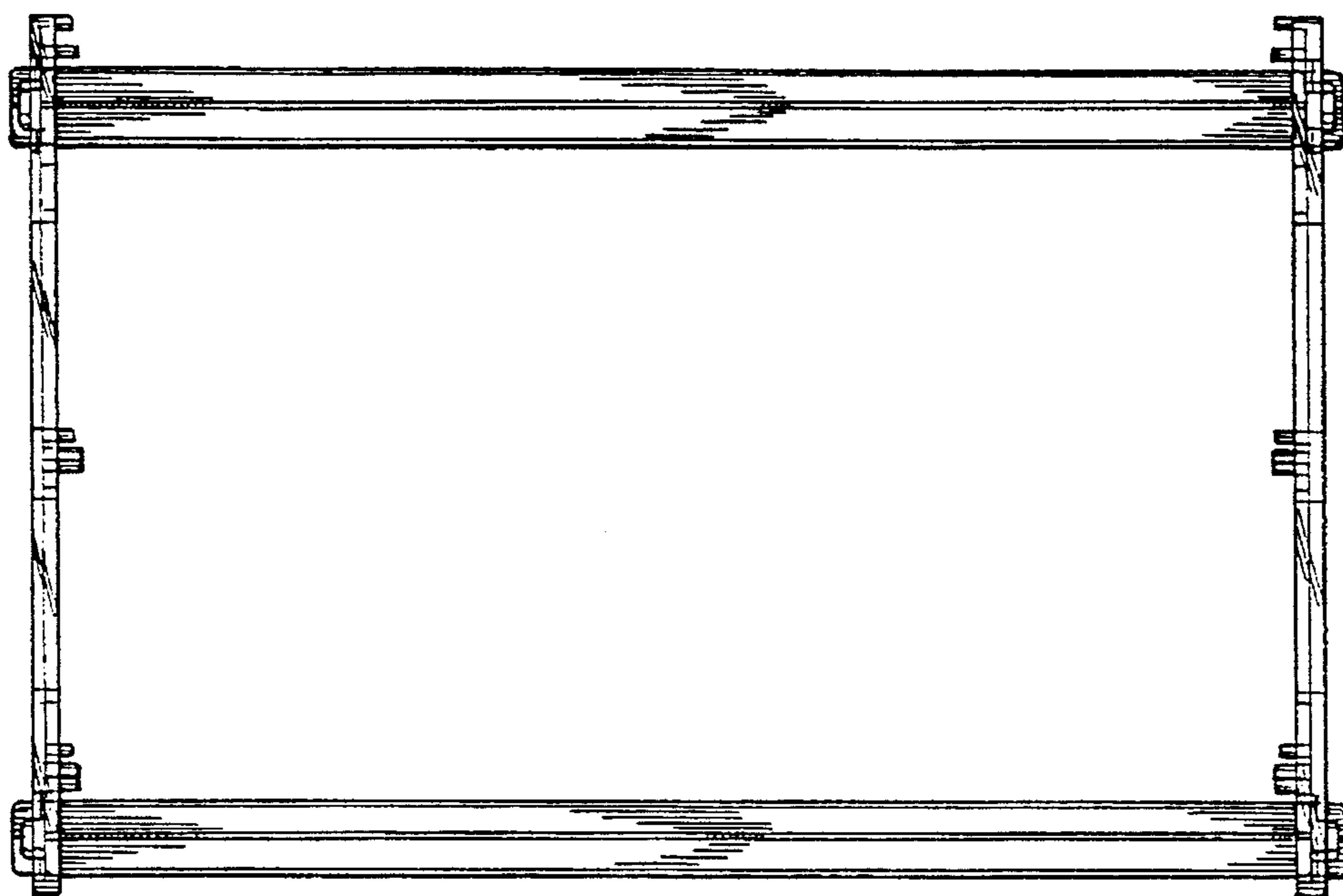


Fig. 6

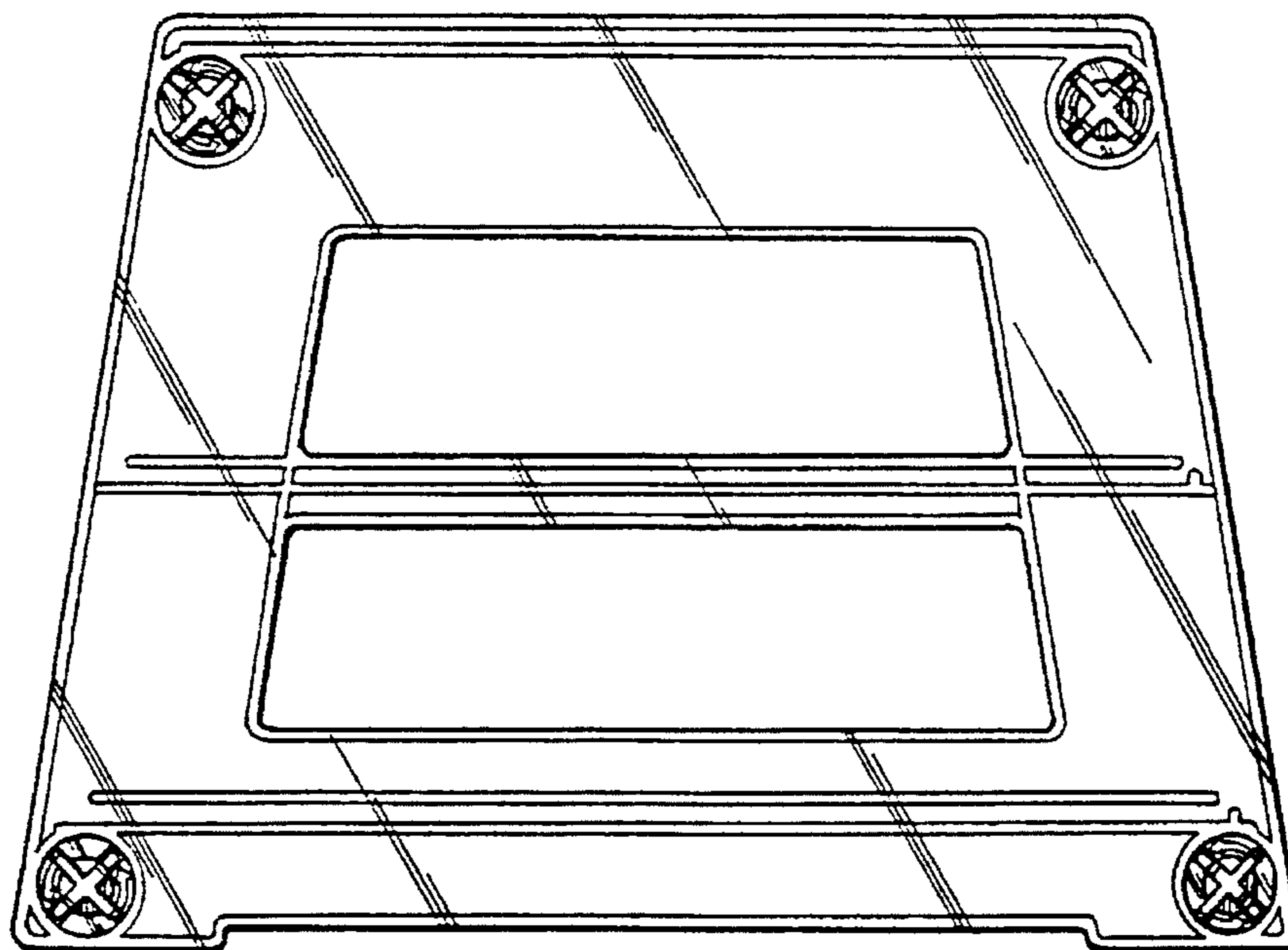


Fig. 7

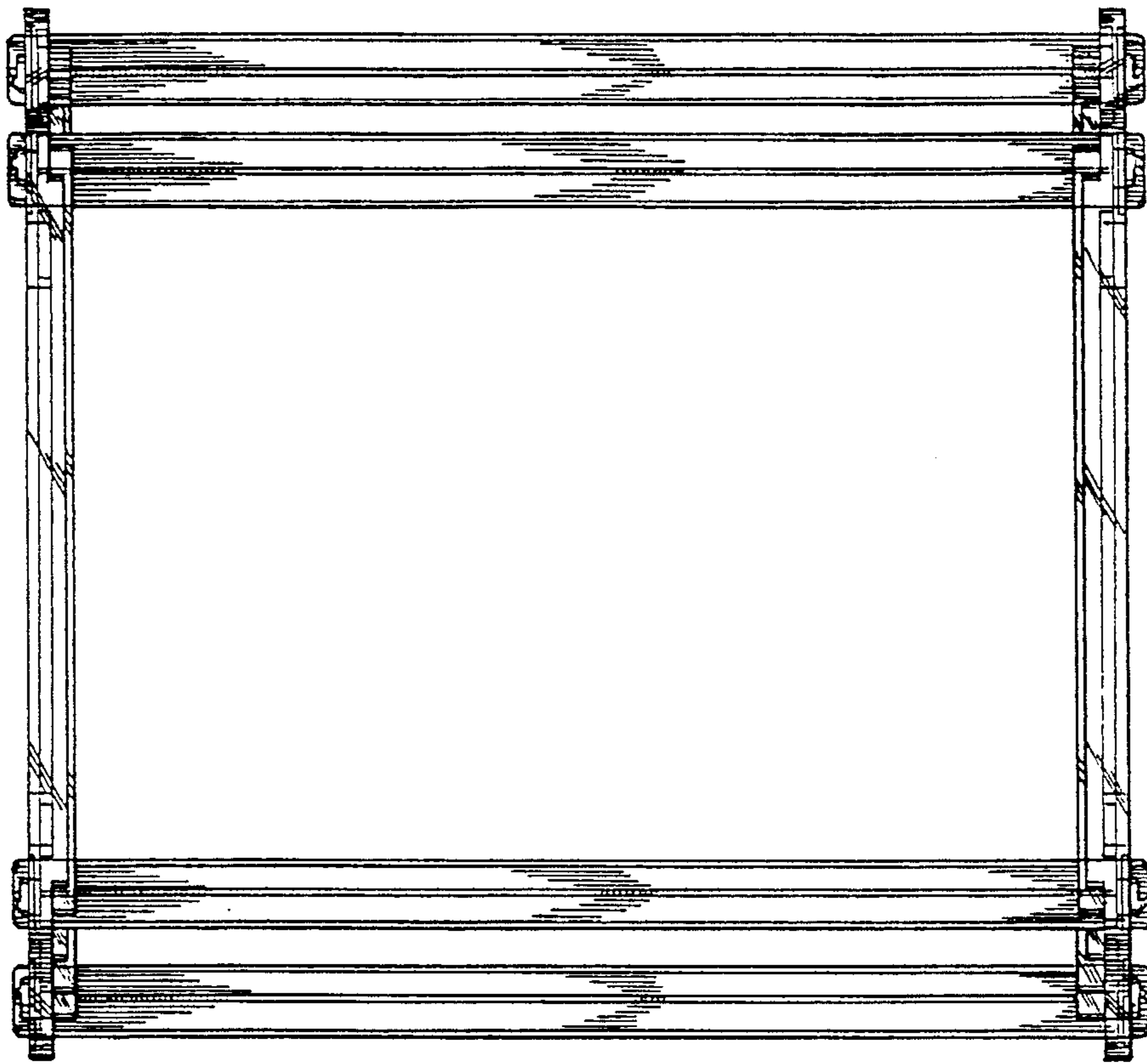


Fig. 8

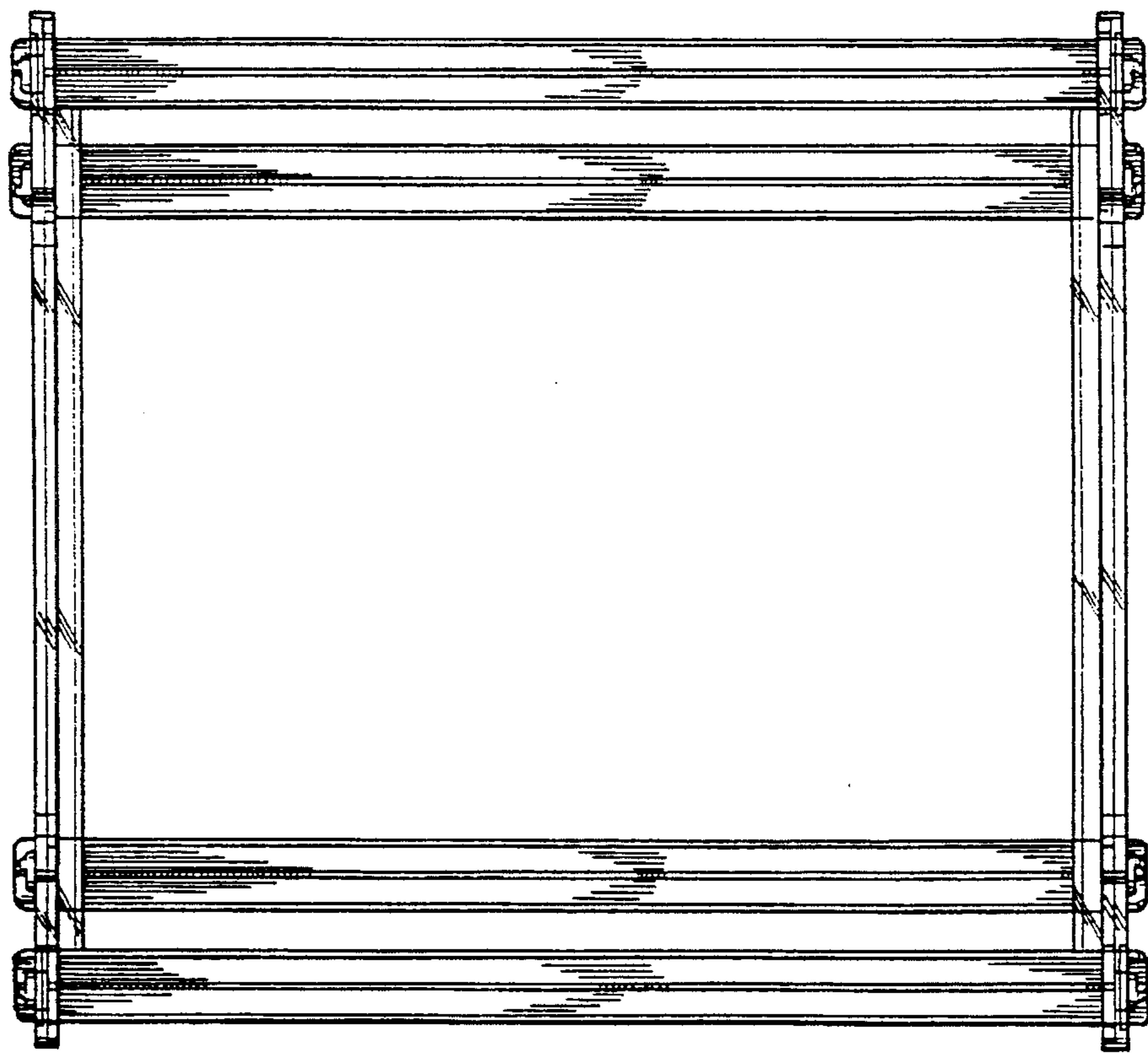


Fig. 9