



US00D377424S

**United States Patent** [19]

[11] **Patent Number: Des. 377,424**

**Olson**

[45] **Date of Patent: \*\*Jan. 21, 1997**

[54] **SWIVEL CHAIR**

[75] Inventor: **Ogden R. Olson**, Muscatine, Iowa

[73] Assignee: **Hon Industries, Inc.**, Muscatine, Iowa

[\*\*] Term: **14 Years**

[21] Appl. No.: **695,760**

[22] Filed: **May 6, 1991**

[52] **U.S. Cl.** ..... **D6/366; D6/364**

[58] **Field of Search** ..... **D6/335, 336, 338, D6/339, 365, 366, 367, 501, 371, 372, 374, 375; 297/DIG. 2, 457**

- D. 309,383 7/1990 Muller-Deisig et al. .
- D. 311,286 10/1990 Muller-Deisig et al. .
- D. 312,003 11/1990 Muller-Deisig et al. .
- D. 312,536 12/1990 Muller-Deisig et al. .
- D. 318,184 7/1991 Muller-Deisig et al. .
- D. 320,507 10/1991 Shields ..... D6/366
- D. 322,363 12/1991 Narita ..... D6/366
- D. 326,369 5/1992 Buchacz ..... D6/366
- 3,223,450 12/1965 Pollack .
- 4,776,633 10/1988 Knoblock et al. .

**OTHER PUBLICATIONS**

*Steelcase Cat.* p. 4, "Advanced Con Centrix" Chair, bottom rt. corner of page.

*Primary Examiner*—Louis S. Zarfes  
*Assistant Examiner*—Monica A. Hannon  
*Attorney, Agent, or Firm*—Jones, Day, Reavis & Pogue

[56] **References Cited**

**U.S. PATENT DOCUMENTS**

- D. 227,831 7/1973 Andrus .
- D. 233,808 12/1974 Ruf .
- D. 236,173 8/1975 Ruf .
- D. 241,288 9/1976 Tacke .
- D. 244,892 7/1977 Koepke .
- D. 253,205 10/1979 Buhk .
- D. 253,206 10/1979 Buhk .
- D. 254,640 4/1980 Deck .
- D. 255,183 6/1980 Locher .
- D. 259,750 7/1981 Buhk .
- D. 260,205 8/1981 Buhk .
- D. 273,925 5/1984 Caruso .
- D. 276,396 11/1984 Locher .
- D. 278,869 5/1985 Bohl .
- D. 279,154 6/1985 Aronowitz et al. .
- D. 279,155 6/1985 Aronowitz et al. .
- D. 282,510 2/1986 Diffrient .
- D. 291,159 8/1987 Monesi .
- D. 295,925 5/1988 Uredat-Neuhoff .
- D. 298,188 10/1988 Hensel .
- D. 299,799 2/1989 Muller-Deisig et al. .
- D. 305,183 12/1989 Carter et al. .
- D. 308,605 6/1990 Wecker et al. .... D6/366

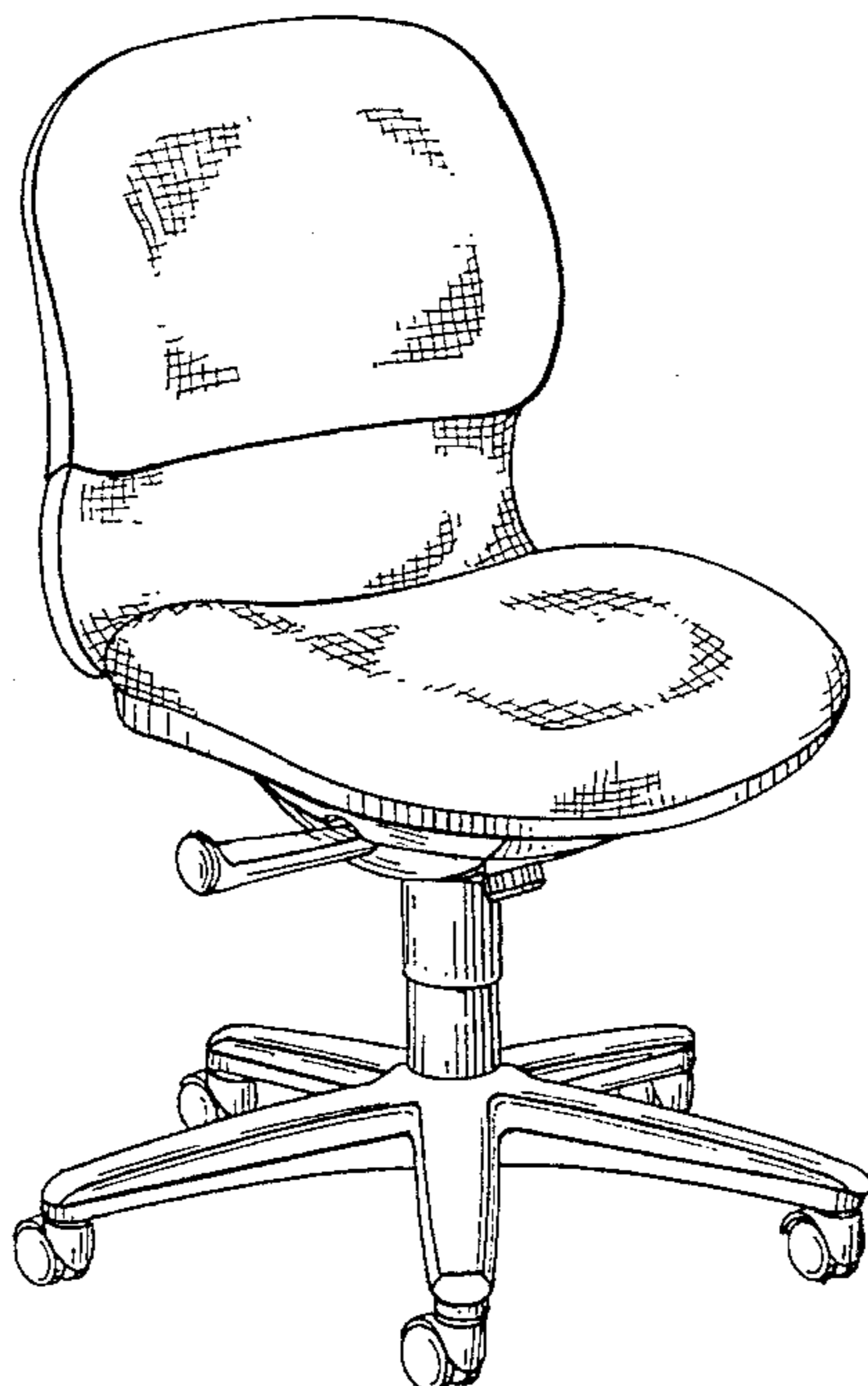
[57] **CLAIM**

The ornamental design of a swivel chair, as shown and described.

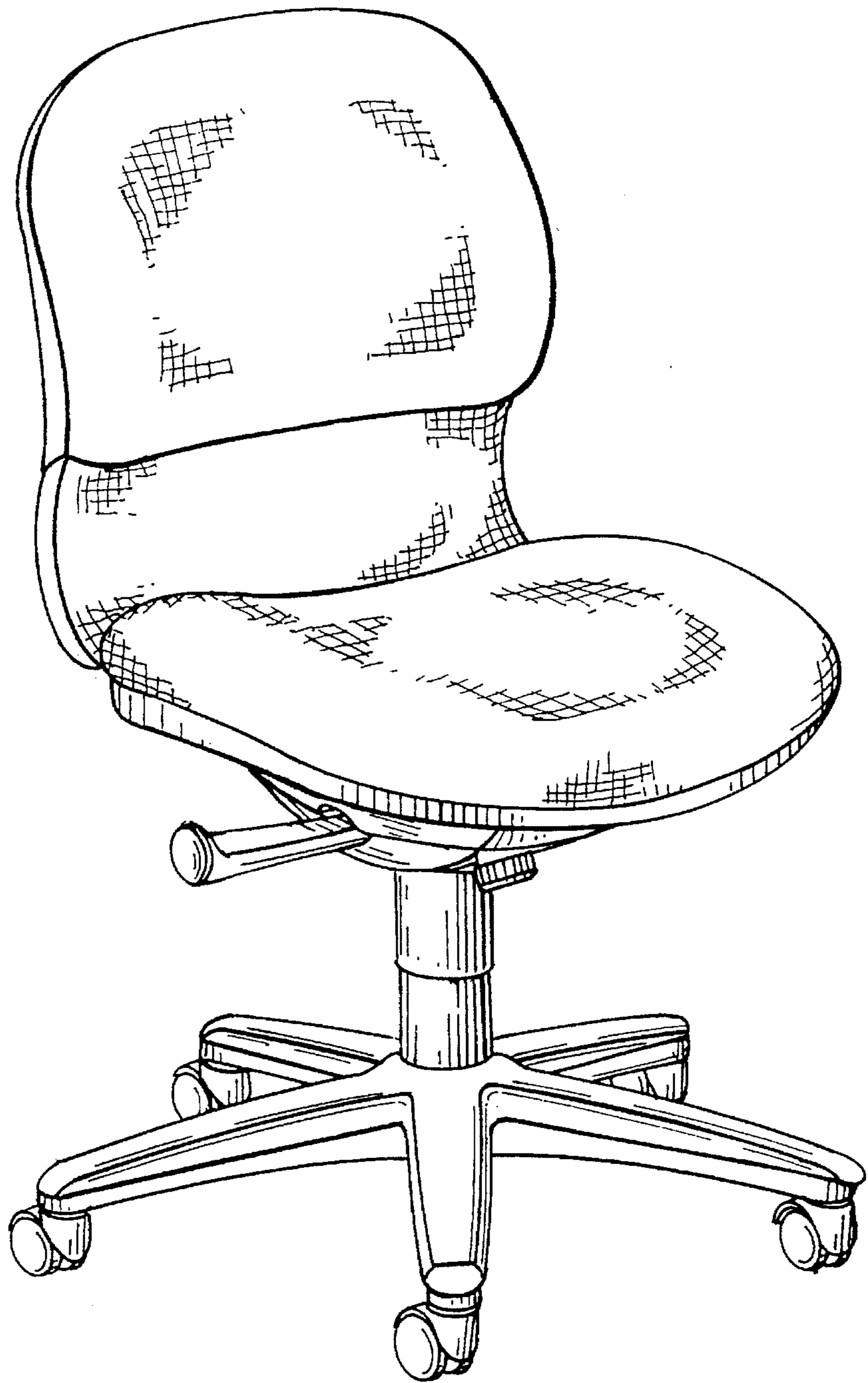
**DESCRIPTION**

FIG. 1 is a perspective view of a swivel chair showing my new design;  
FIG. 2 is a front view;  
FIG. 3 is a right side view;  
FIG. 4 is a left side view;  
FIG. 5 is a rear view thereof;  
FIG. 6 is a perspective view of a second embodiment of the swivel chair showing my new design;  
FIG. 7 is a left side view thereof;  
FIG. 8 is a perspective view of a third embodiment of the swivel chair showing my new design;  
FIG. 9 is a front view;  
FIG. 10 is a left side view; and,  
FIG. 11 is a rear view thereof.

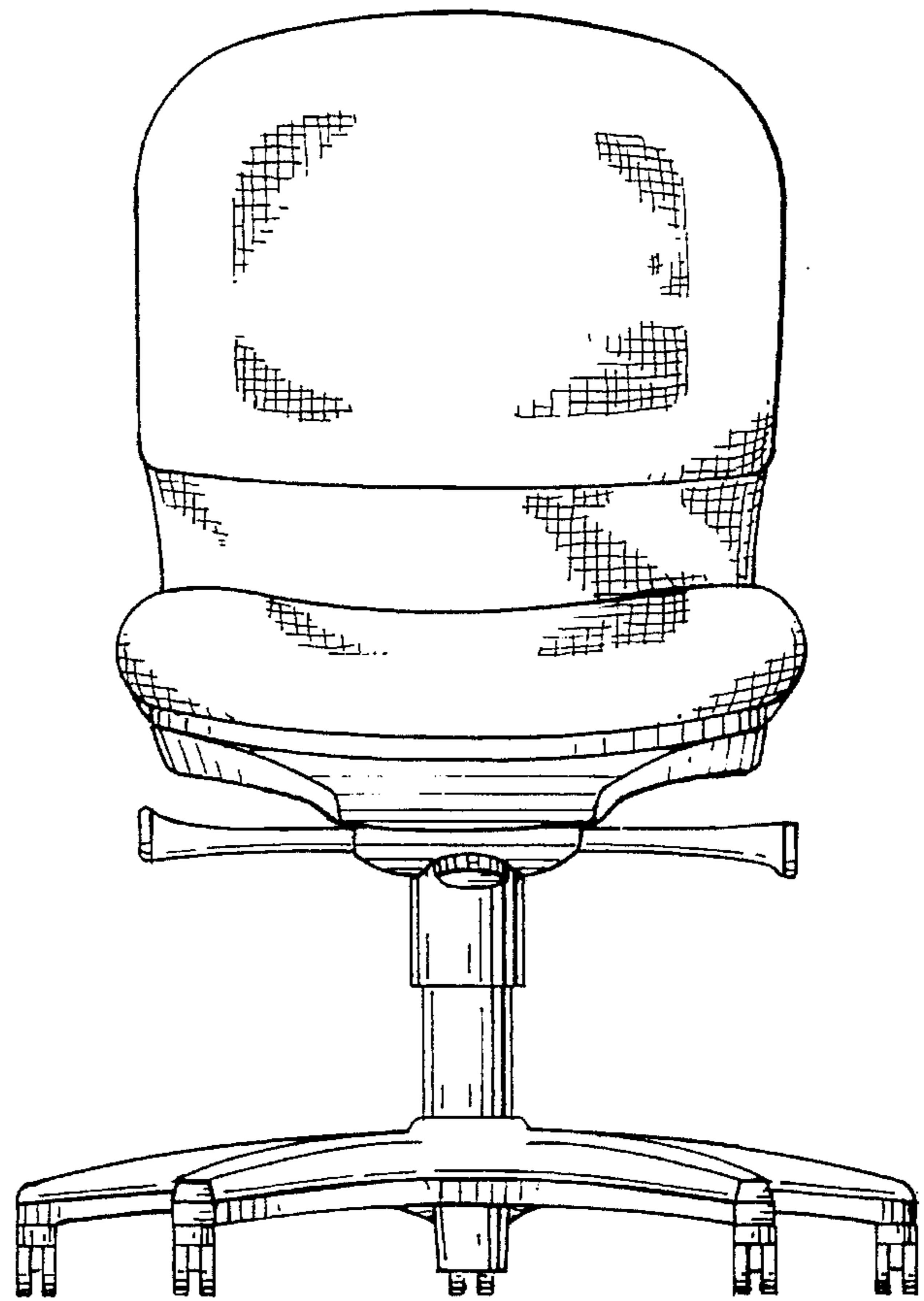
**1 Claim, 8 Drawing Sheets**



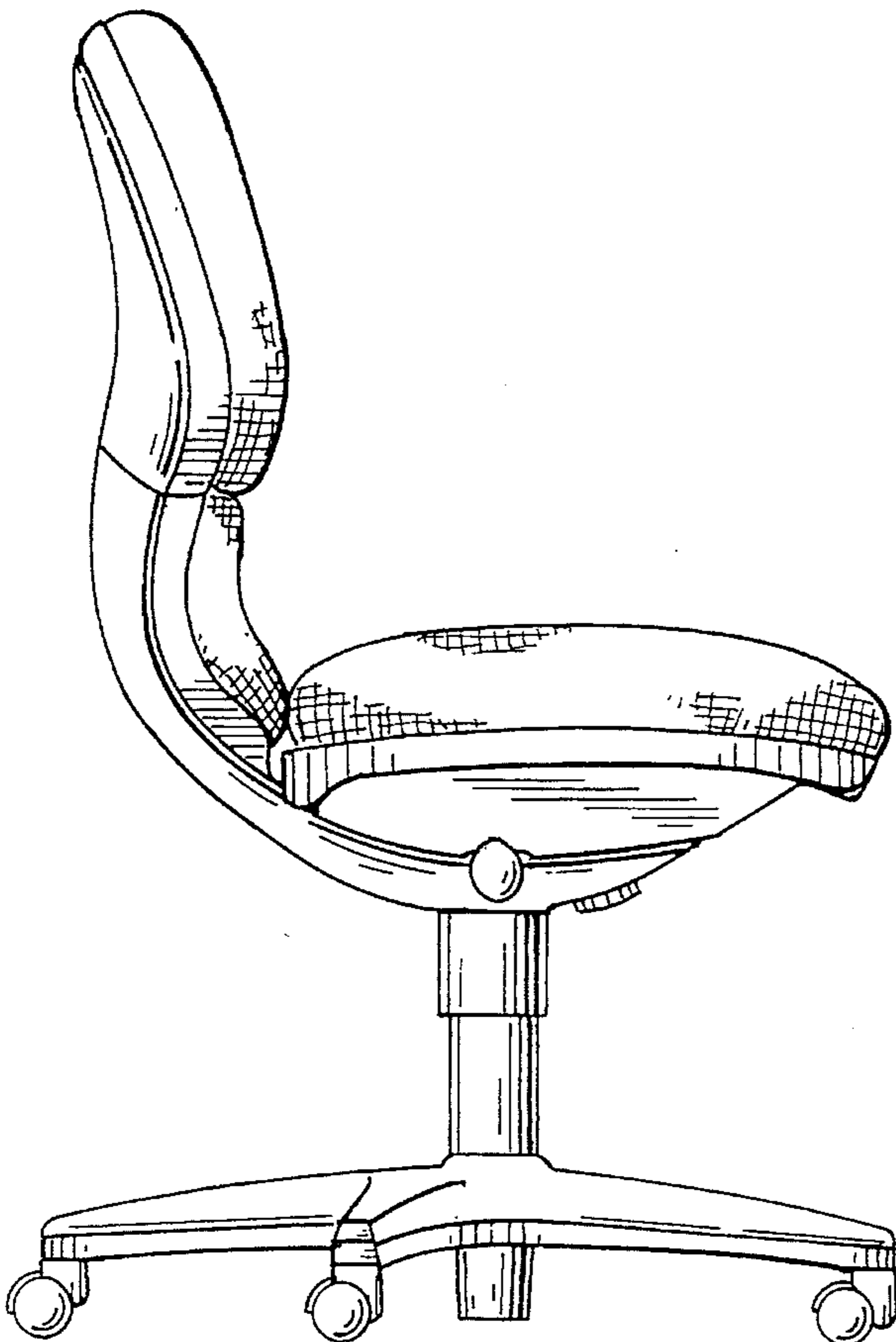
*Fig. 1*



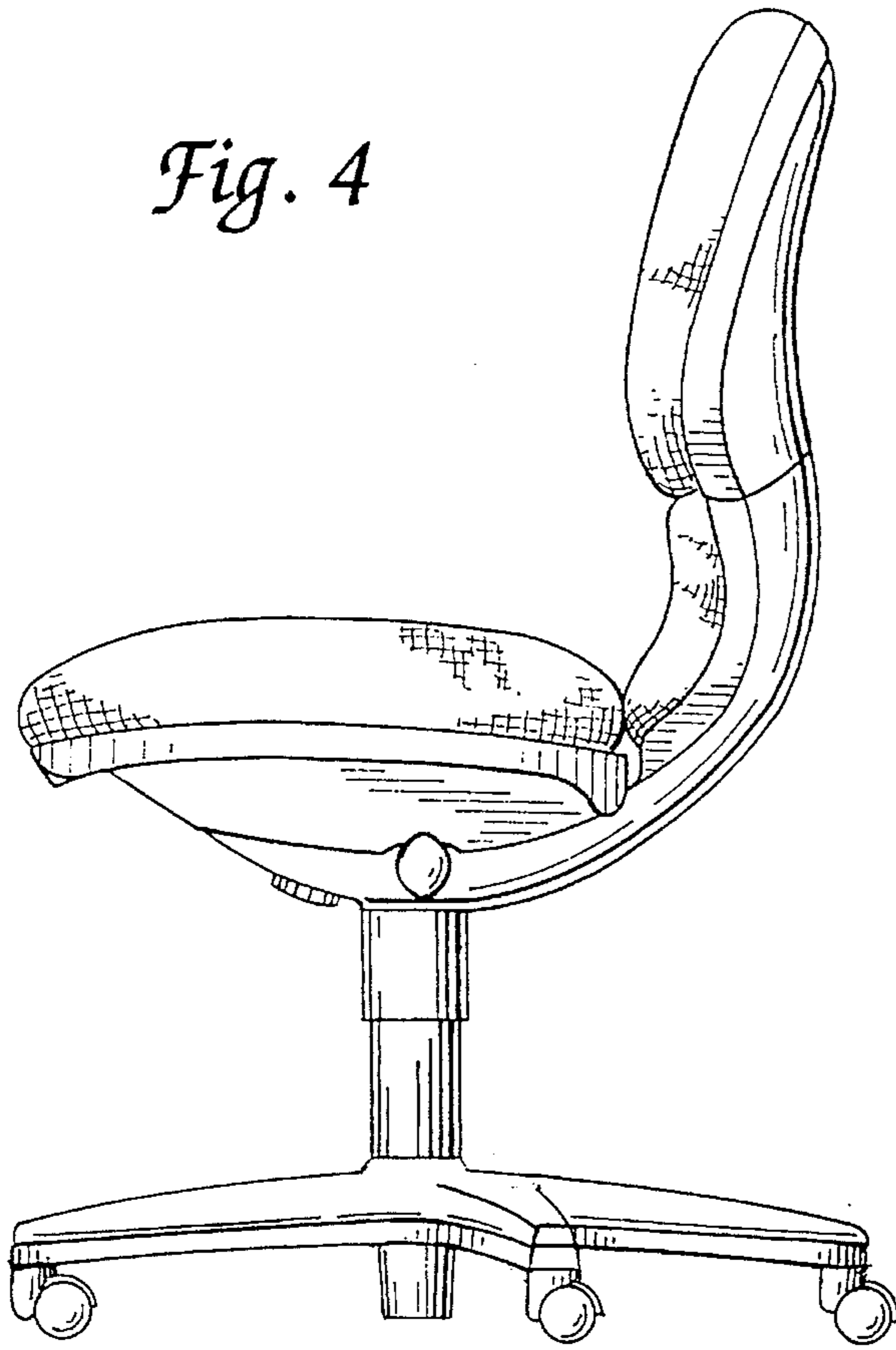
*Fig. 2*



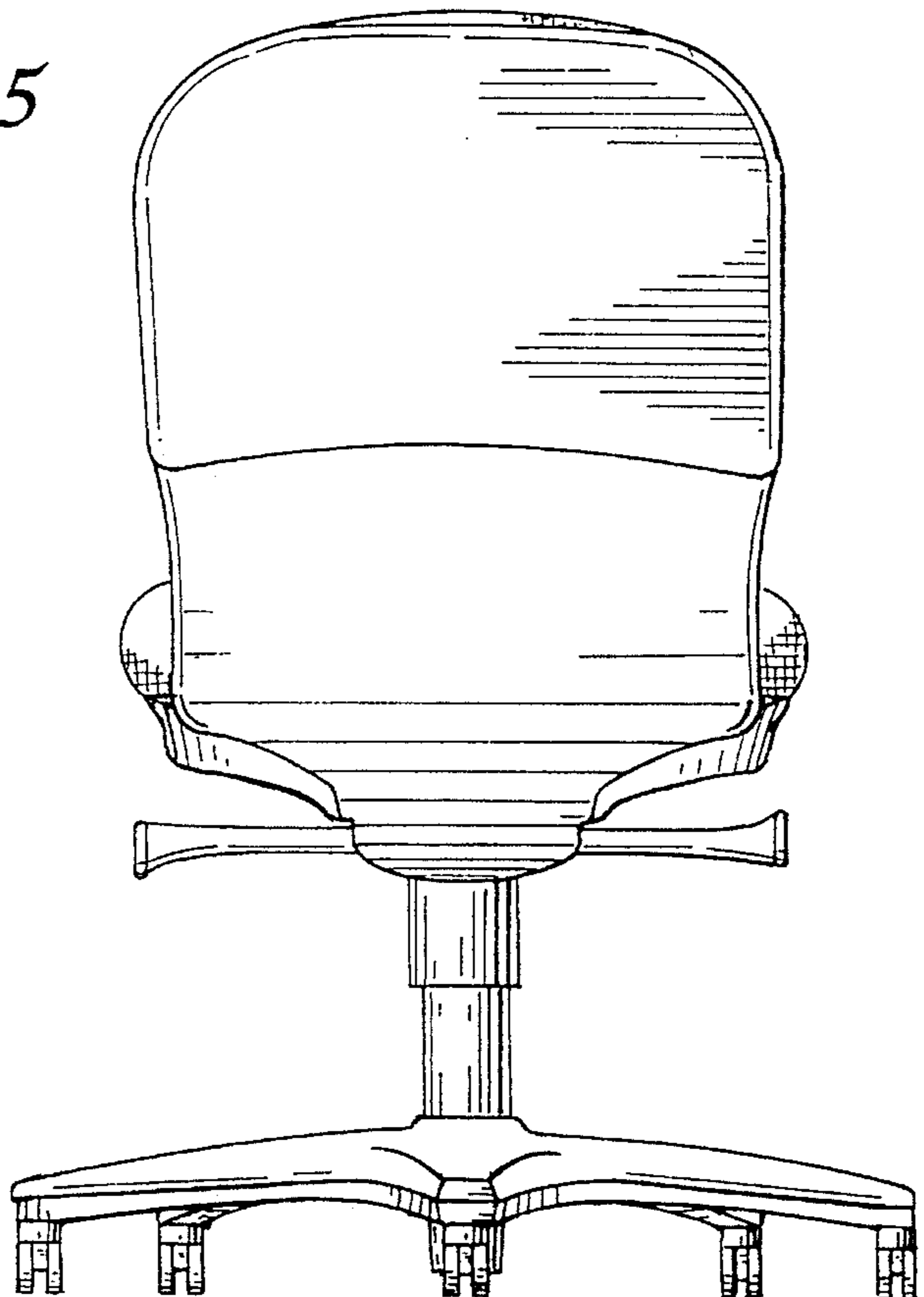
*Fig. 3*



*Fig. 4*

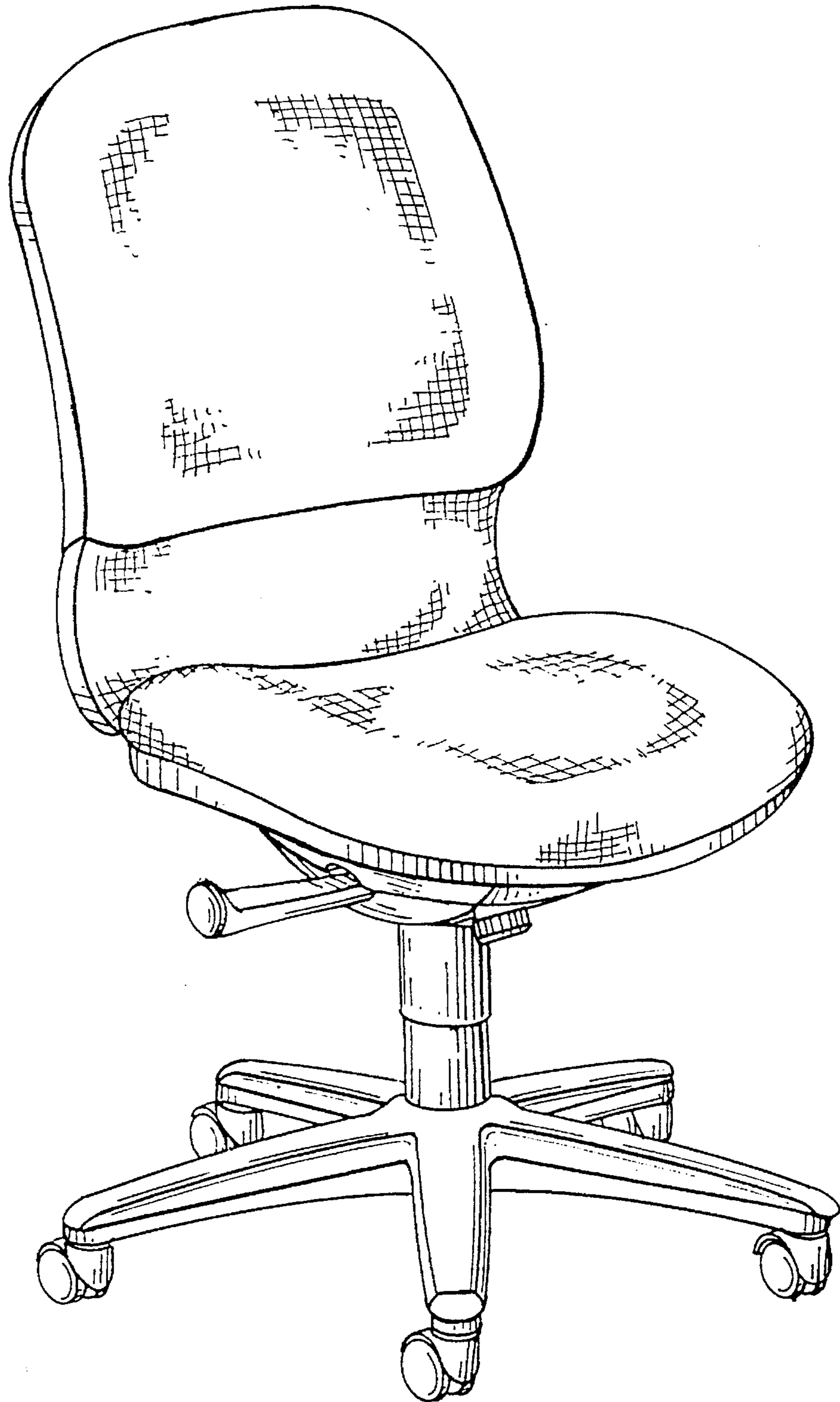


*Fig. 5*

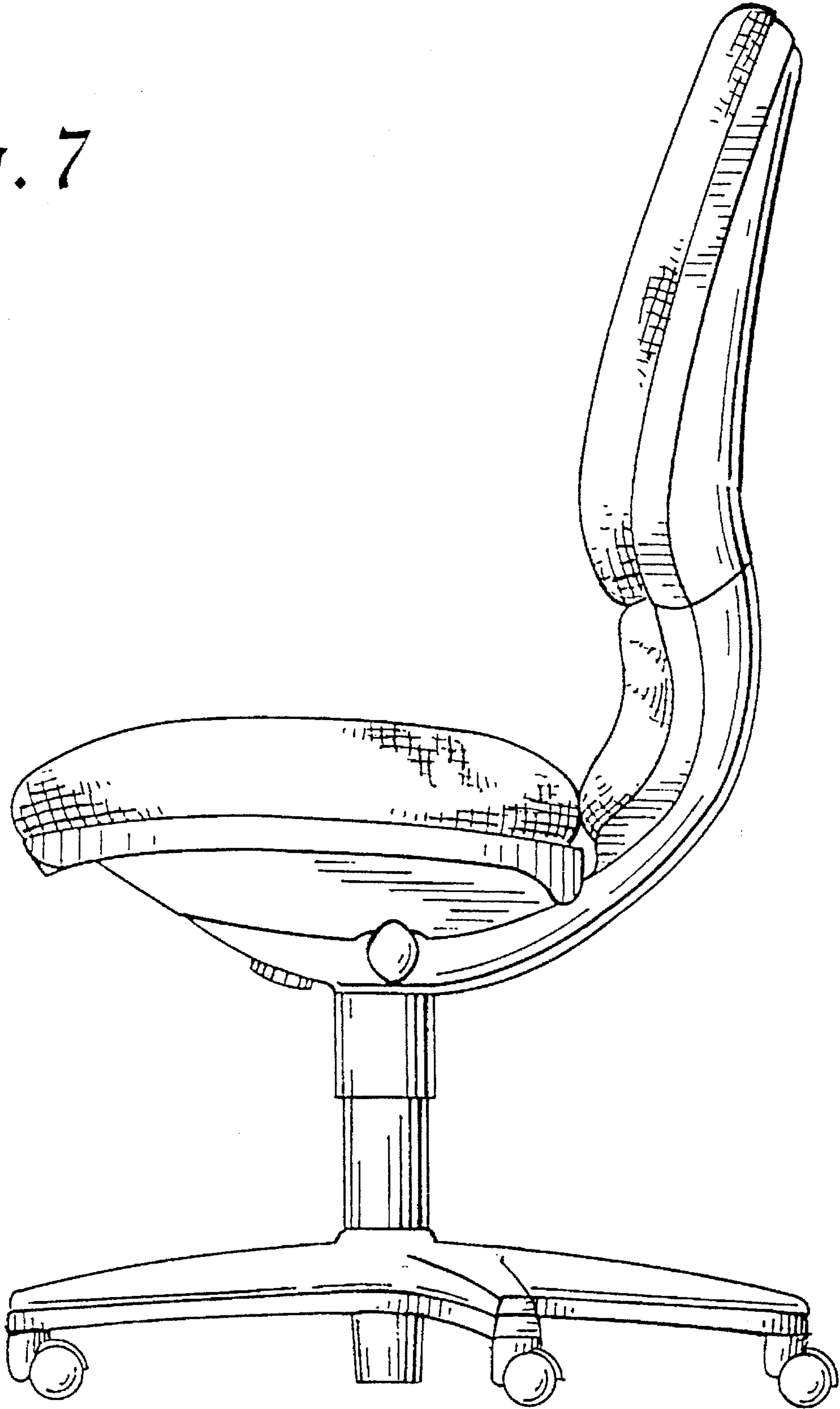




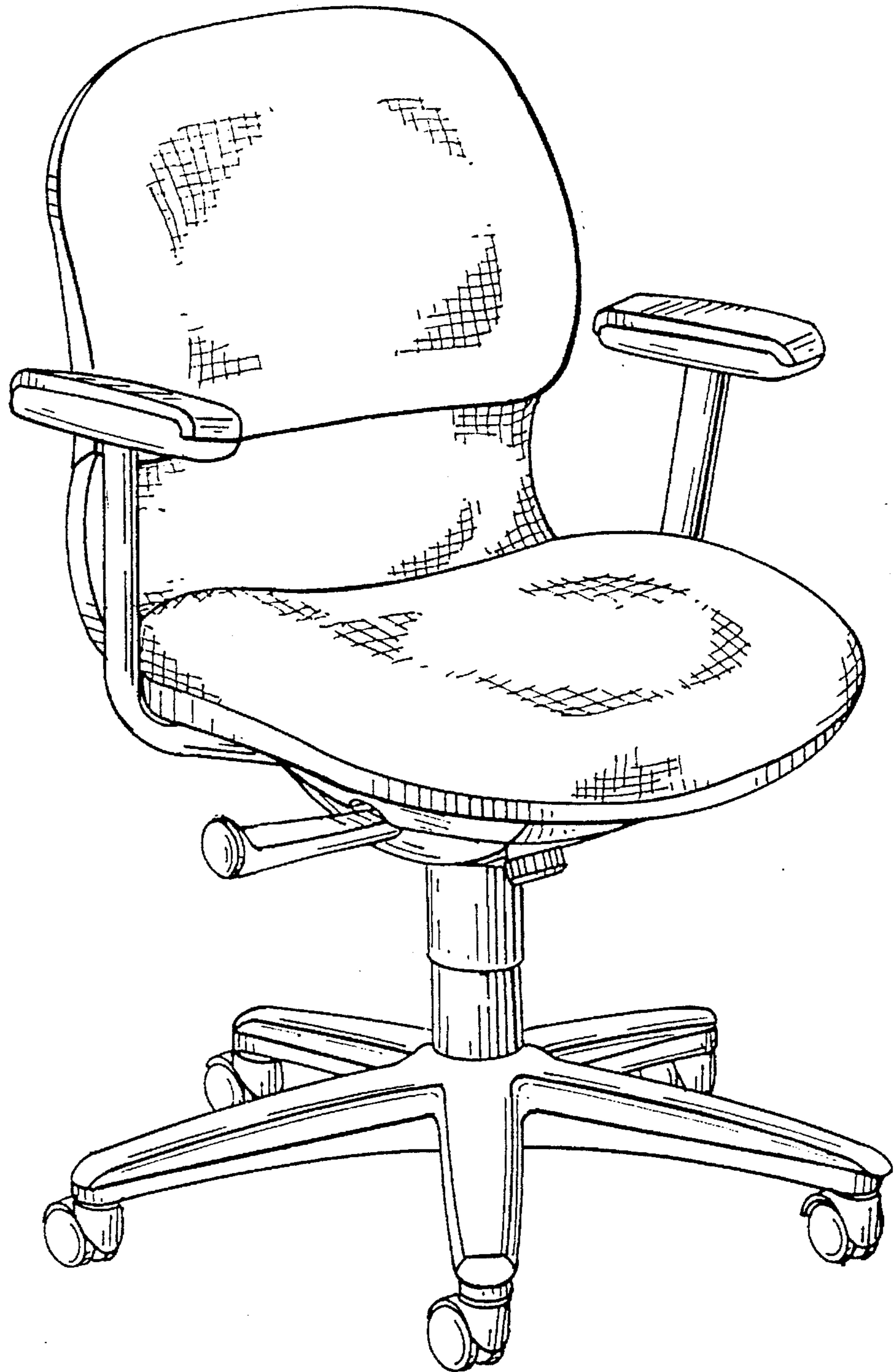
*Fig. 6*



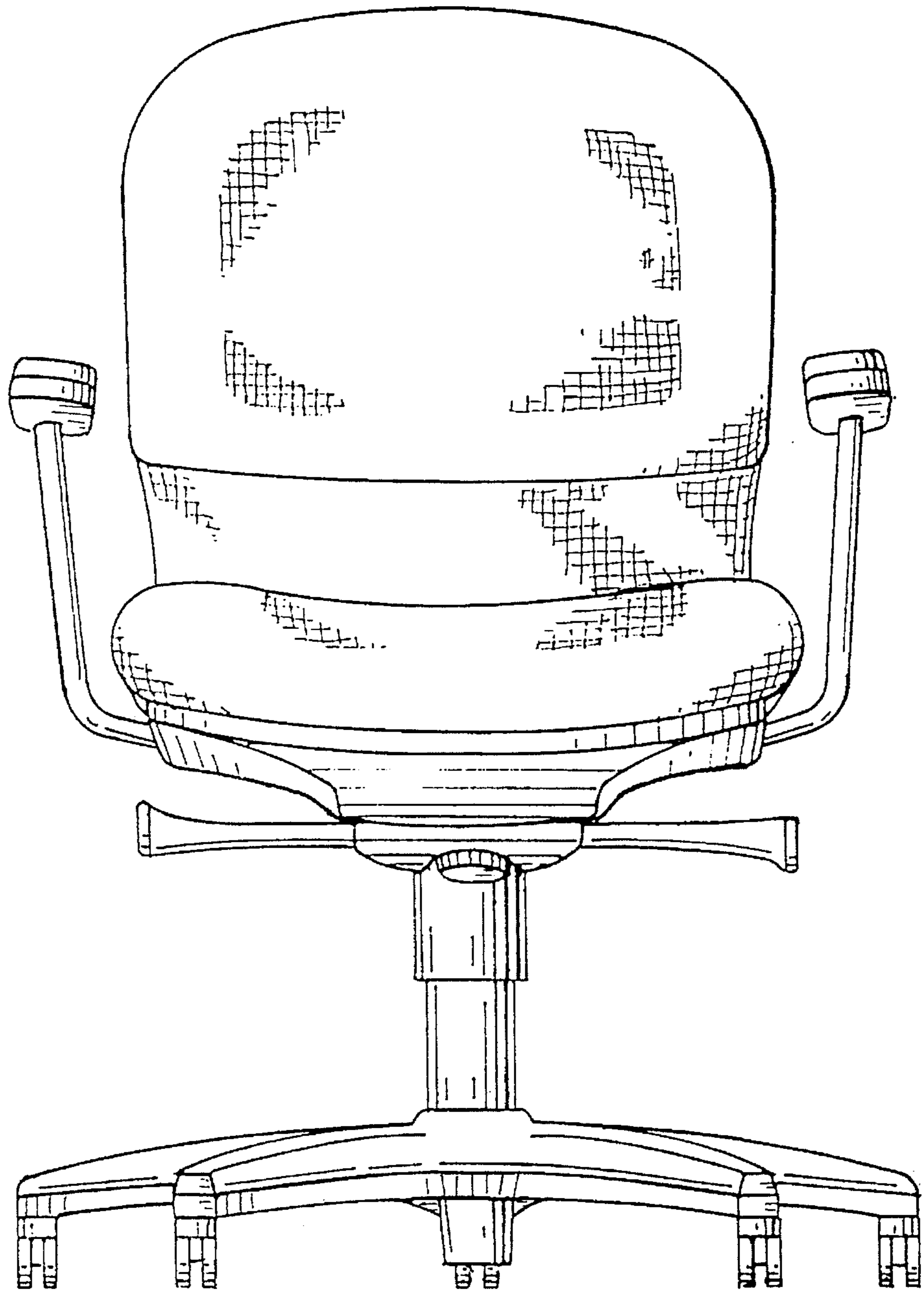
*Fig. 7*



*Fig. 8*

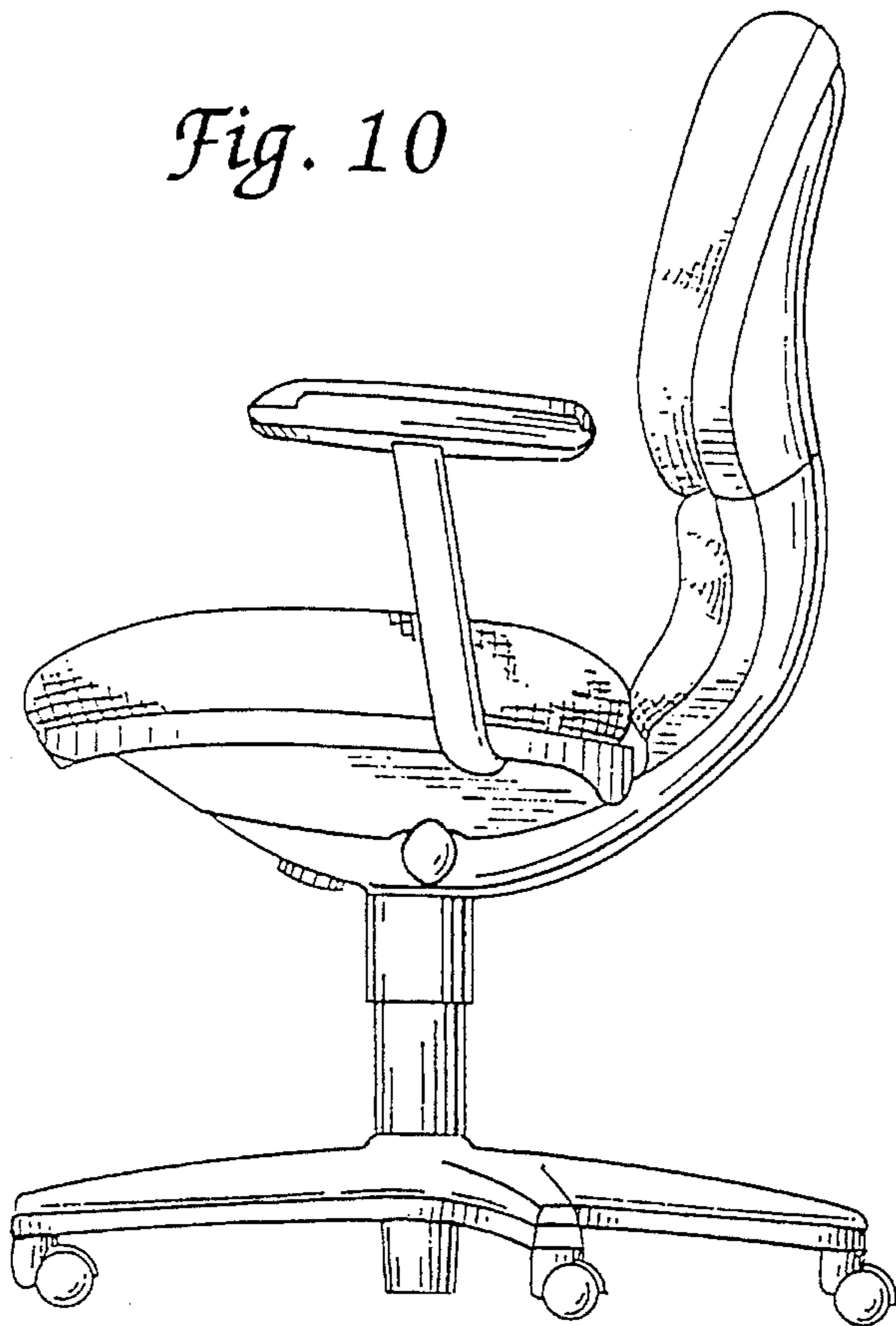


*Fig. 9*





*Fig. 10*



*Fig. 11*

