



US00D377423S

# United States Patent [19]

Latrella et al.

[11] Patent Number: **Des. 377,423**

[45] Date of Patent: **\*\*Jan. 21, 1997**

[54] **BOOSTER SEAT WITH SHOULDER STRAPS AND FOOT MAT**

5,230,450 7/1993 Mahvi et al. .  
5,234,143 8/1993 Mahvi et al. .  
5,332,286 7/1994 Atherton et al. .

[76] Inventors: **Tina L. Latrella; Maria F. Torres,**  
both of 3 Greenleaf Cir., Asheville,  
N.C. 28804

*Primary Examiner*—Gary D. Watson  
*Attorney, Agent, or Firm*—Carter & Schnedler

[\*\*] Term: **14 Years**

### [57] CLAIM

[21] Appl. No.: **45,807**

The ornamental design for a booster seat with shoulder straps and foot mat, as shown.

[22] Filed: **Oct. 30, 1995**

### DESCRIPTION

[52] U.S. Cl. .... **D6/333**

[58] Field of Search ..... D6/333, 334, 335,  
D6/336, 339, 500, 501, 502, 596, 601;  
5/653, 654; 297/250.1

FIG. 1 is a front perspective view of a booster seat with shoulder straps and foot mat showing our new design situated on a chair shown in phantom with the foot mat extending over the front edge of the chair;

FIG. 2 is a rear perspective view showing our new design not situated on a chair;

FIG. 3 is a front elevational view thereof;

FIG. 4 is a top view thereof;

FIG. 5 is a left side view thereof;

FIG. 6 is a right side view thereof;

FIG. 7 is a bottom view thereof;

FIG. 8 is a rear elevational view thereof; and,

FIG. 9 is a rear perspective view showing our new design in the upright position and with the foot mat wrapped thereabout.

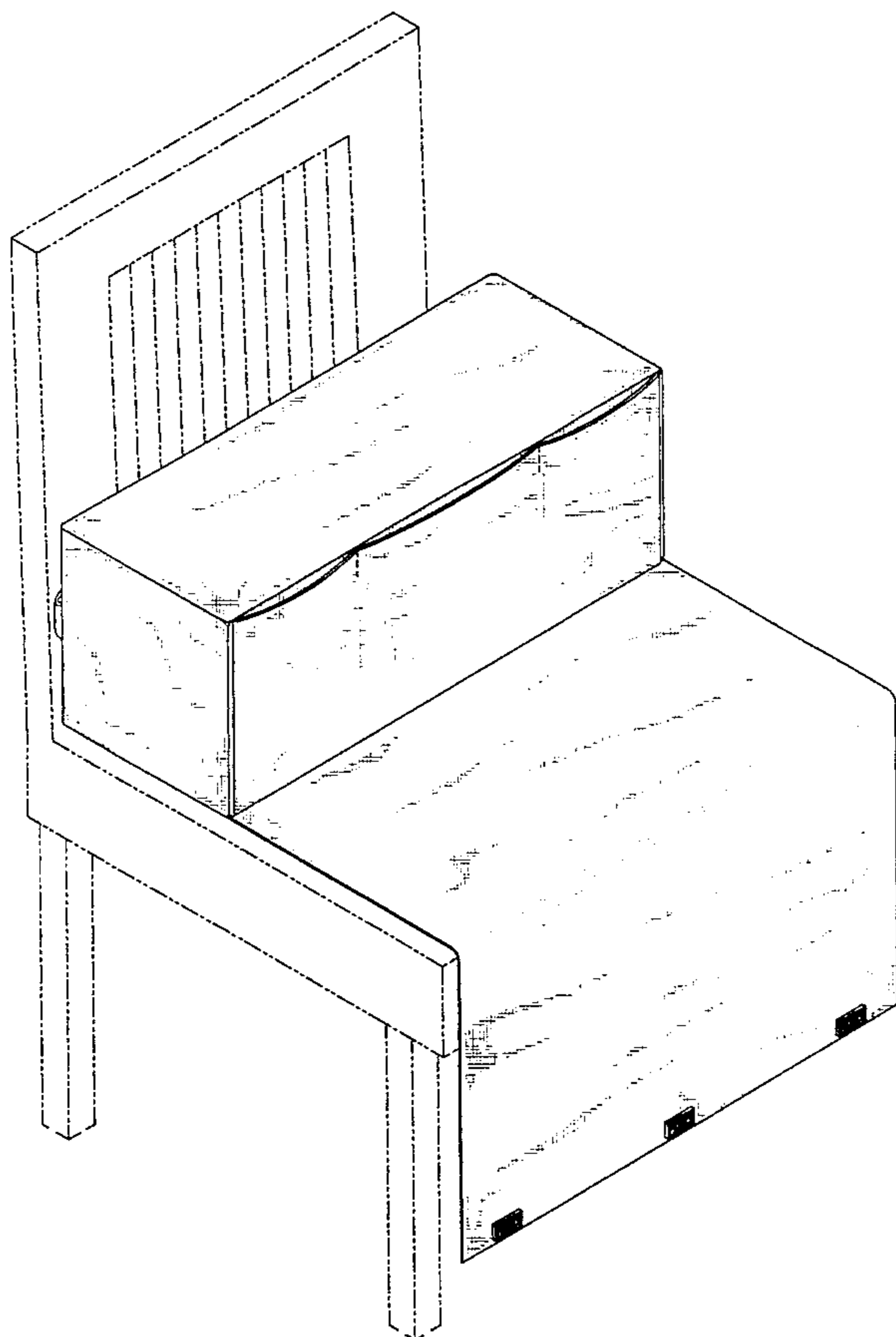
The broken line showing of a chair in FIG. 1 is for environmental purposes only and forms no part of the claimed design.

### [56] References Cited

#### U.S. PATENT DOCUMENTS

D. 286,965	12/1986	Eisler .	
D. 304,987	12/1989	Libenson .....	D6/601
D. 341,513	11/1993	Reeves et al. ....	D6/596
D. 342,405	12/1993	Hazel .....	D6/501
D. 342,411	12/1993	Graebe .....	D6/601
D. 347,541	6/1994	Cook .....	D6/601
D. 362,579	9/1995	Short .....	D6/601
D. 367,199	2/1996	Graebe .....	D6/601
3,924,283	12/1975	Shave .....	D6/601 X
4,854,637	8/1989	McCree .	
4,925,064	5/1990	Comora .	
5,120,108	6/1992	Watson et al. ....	5/653 X
5,156,310	10/1992	Biedenharn, Jr. .	

**1 Claim, 5 Drawing Sheets**



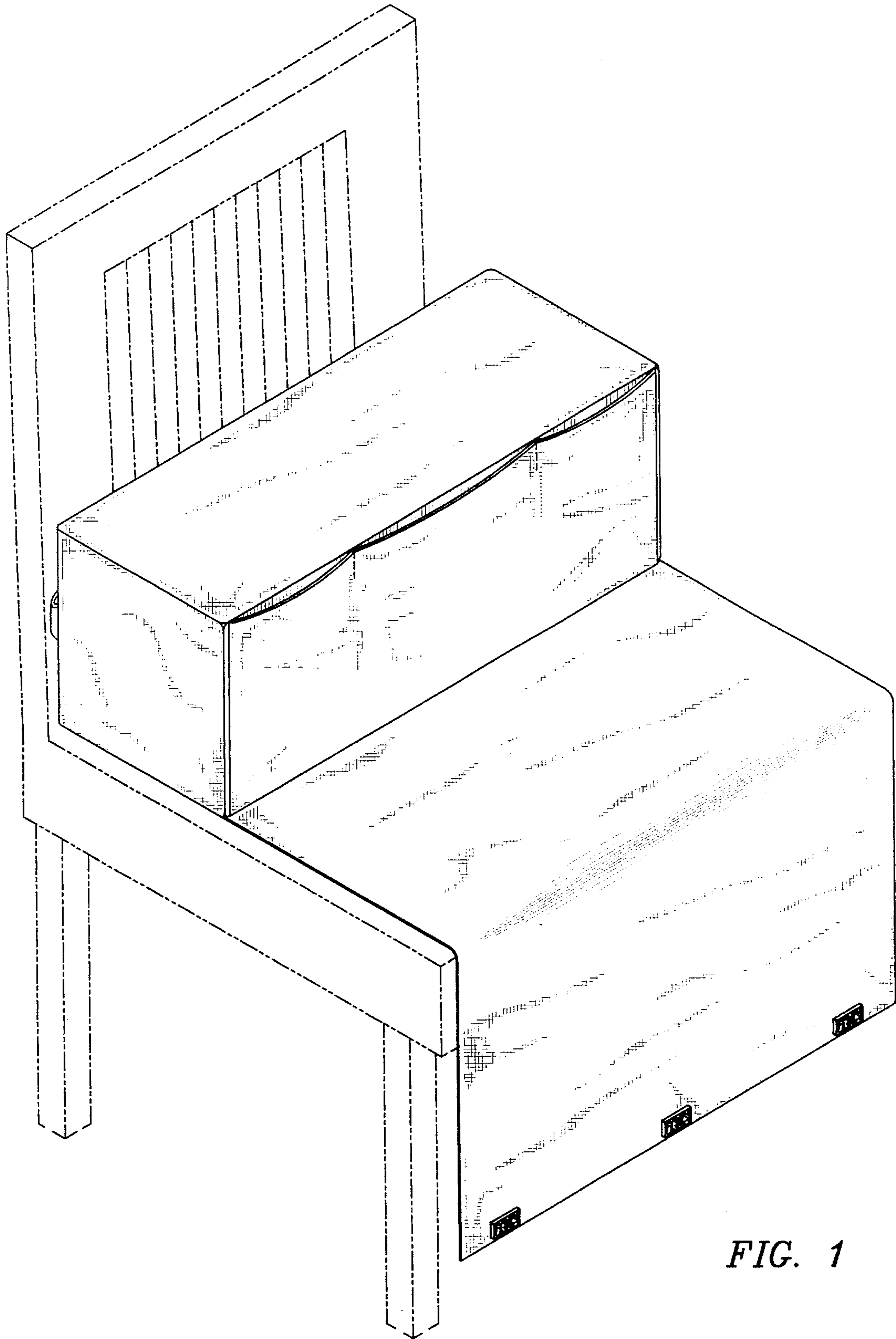


FIG. 1

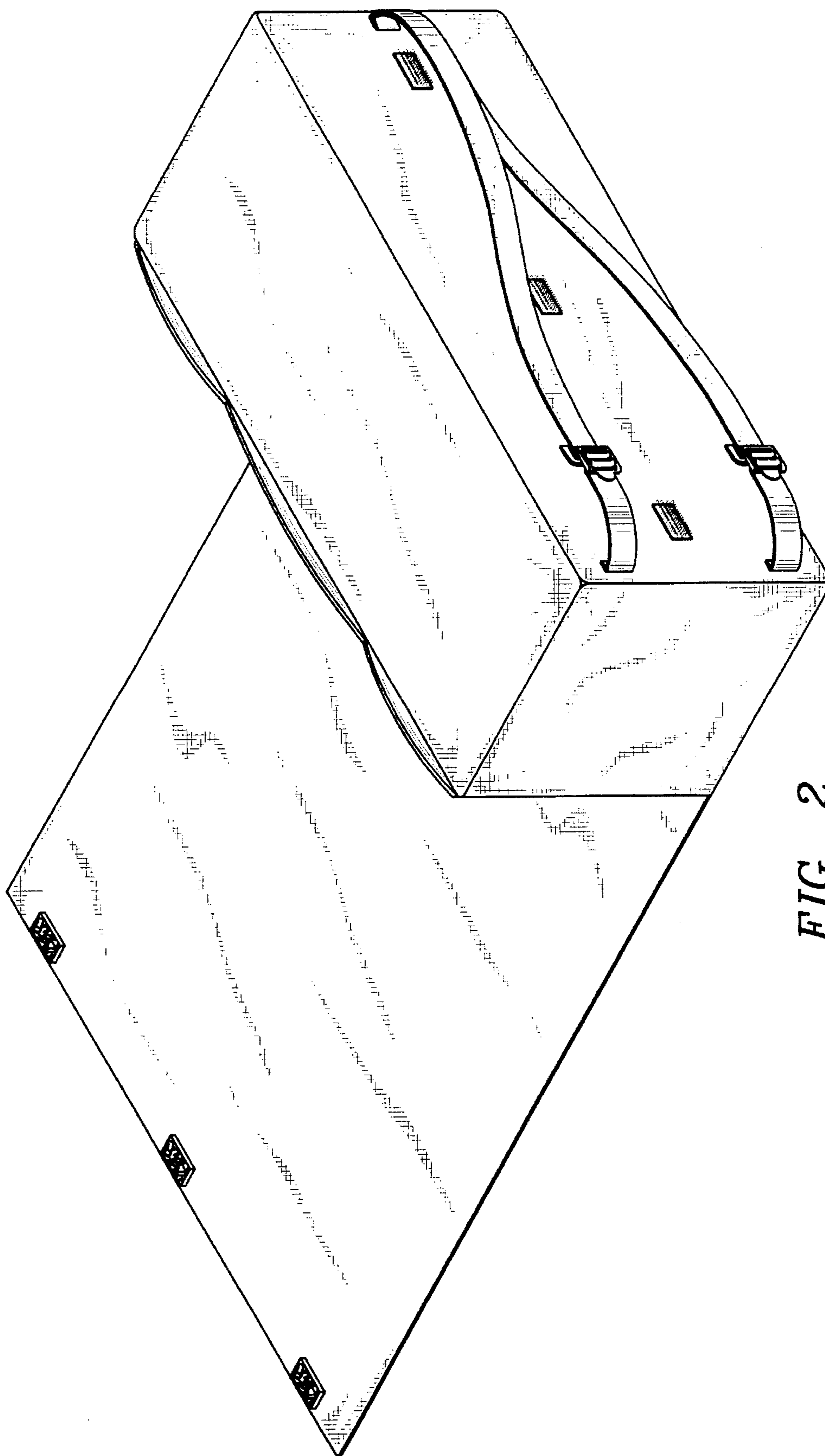


FIG. 2

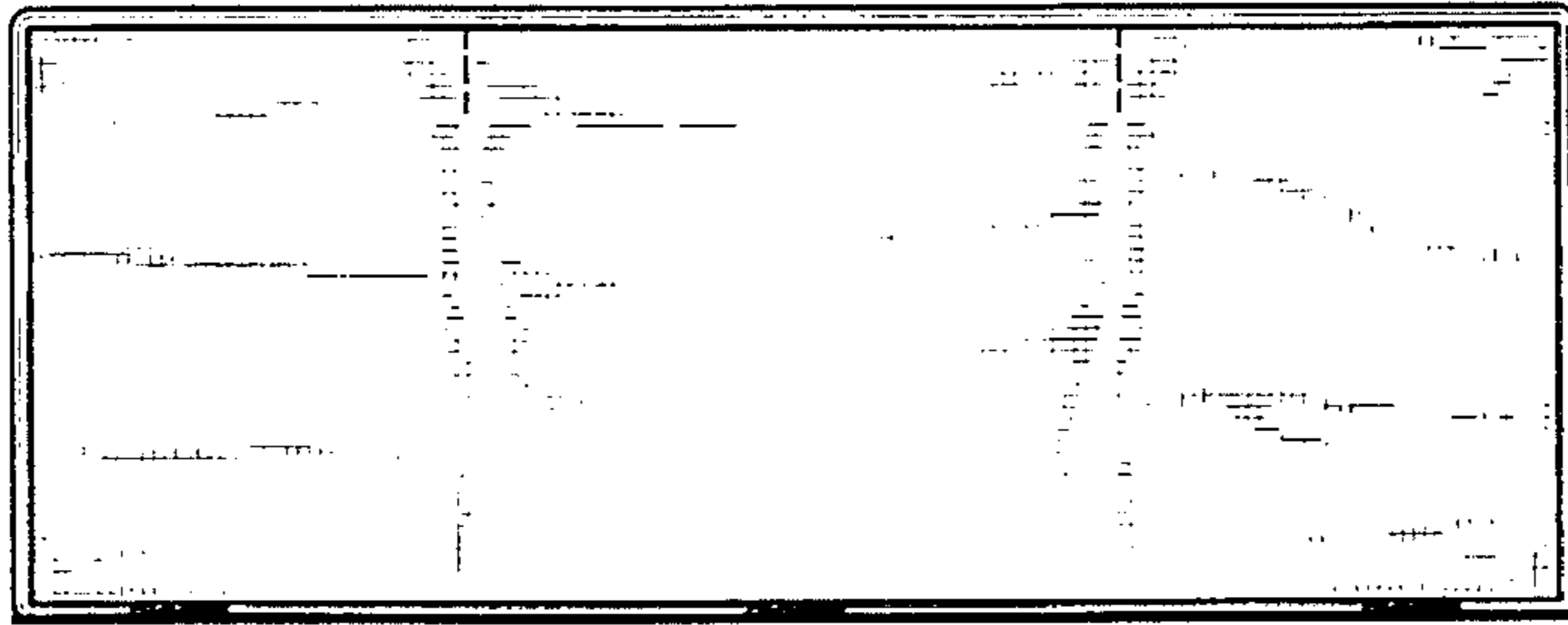


FIG. 3

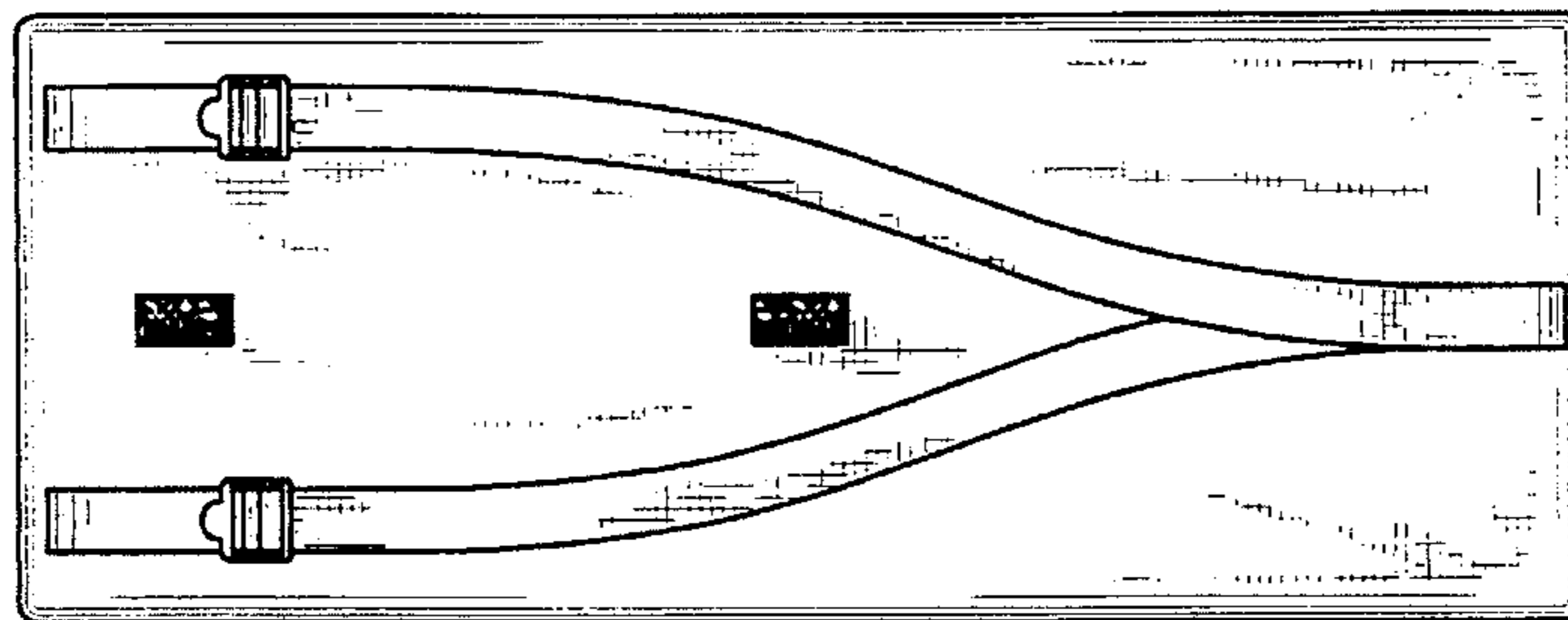


FIG. 8

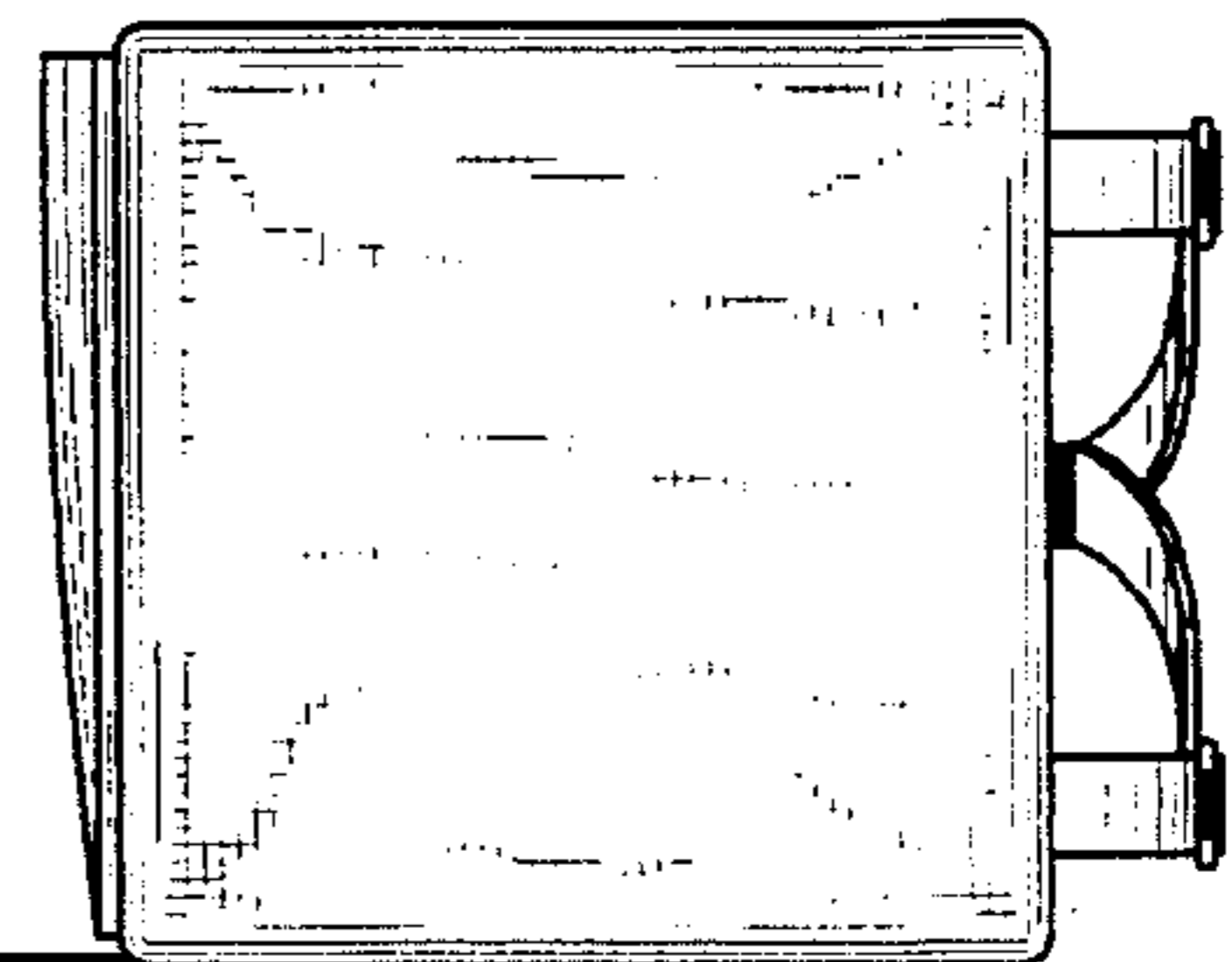


FIG. 5

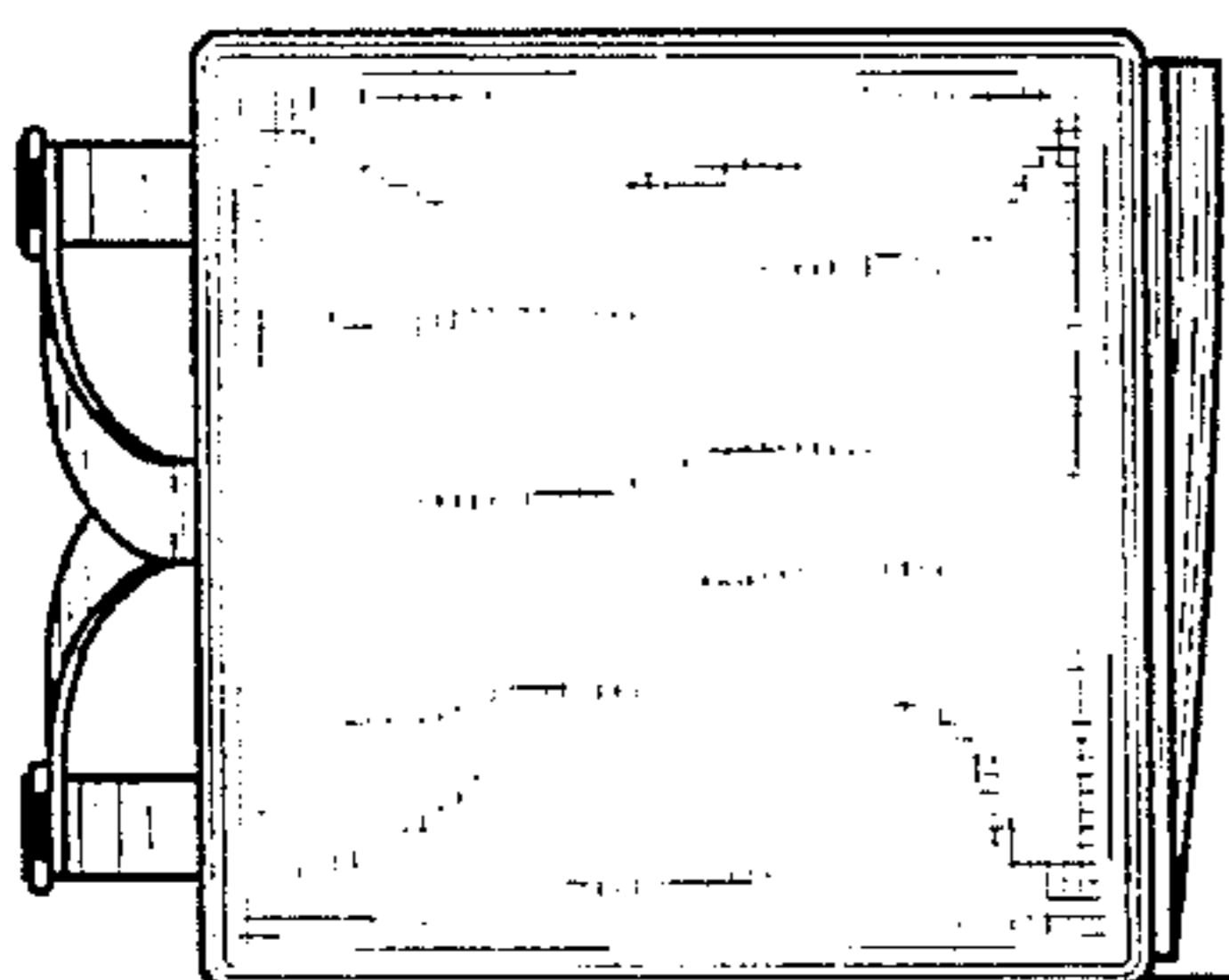


FIG. 6

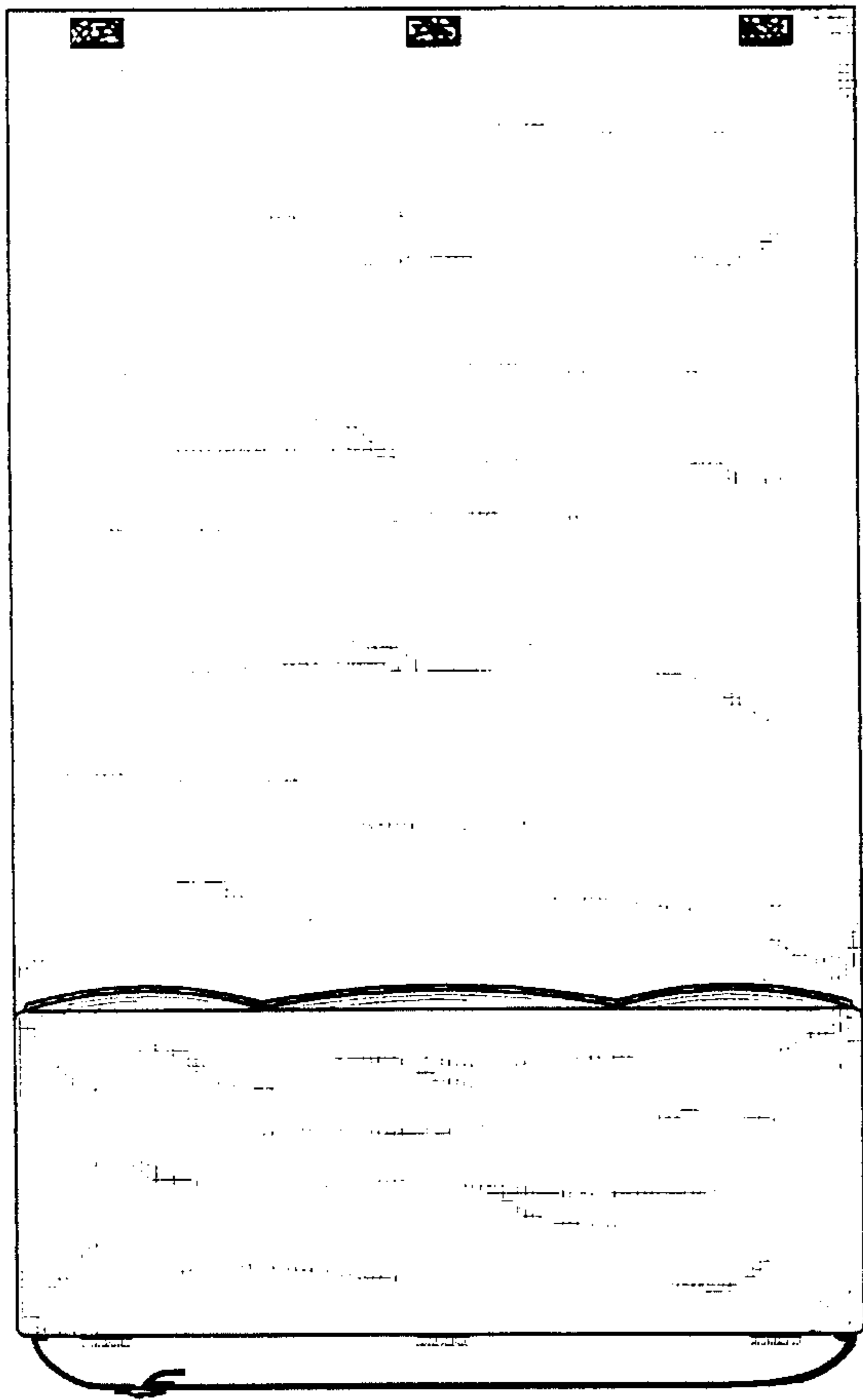


FIG. 4

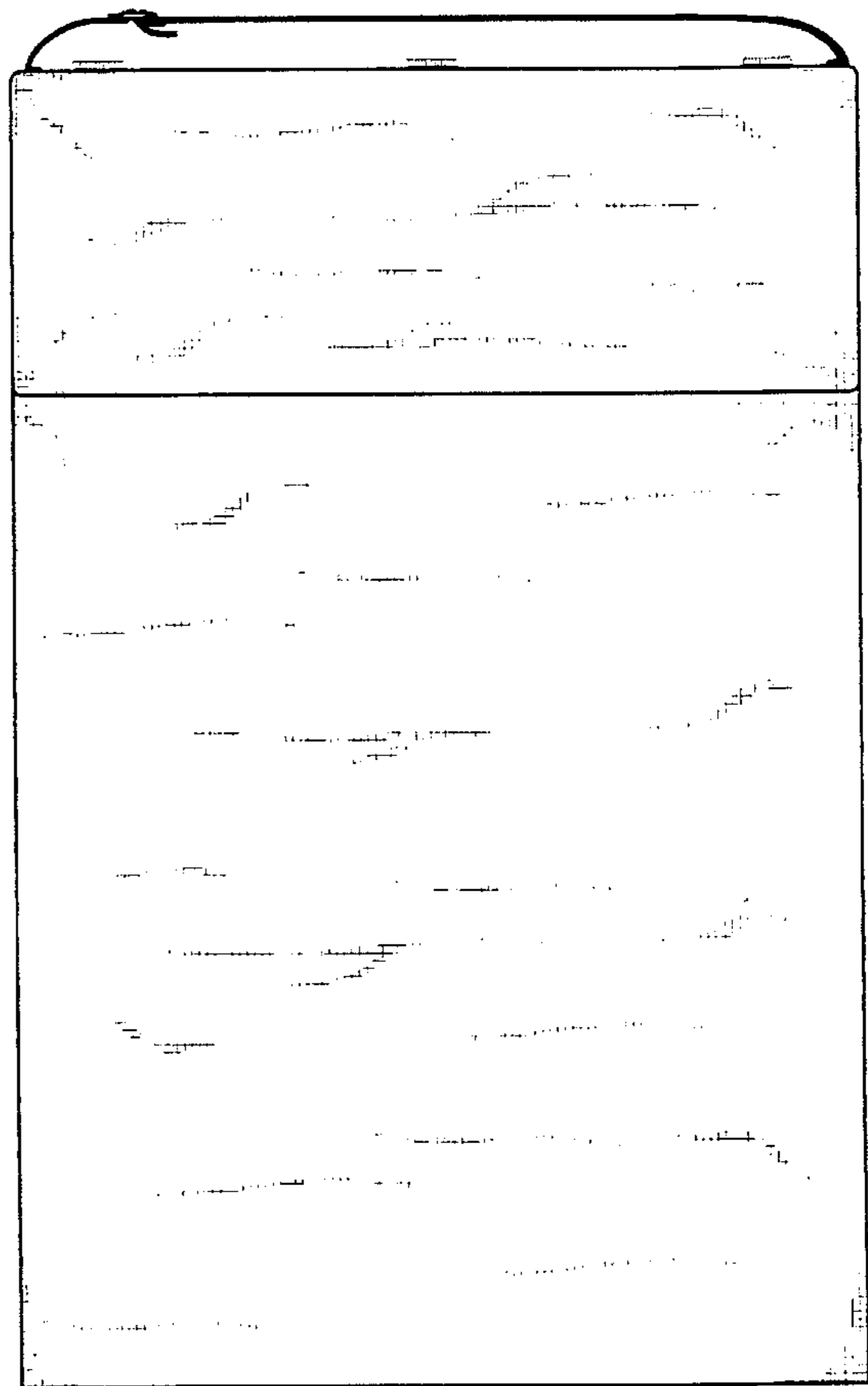


FIG. 7



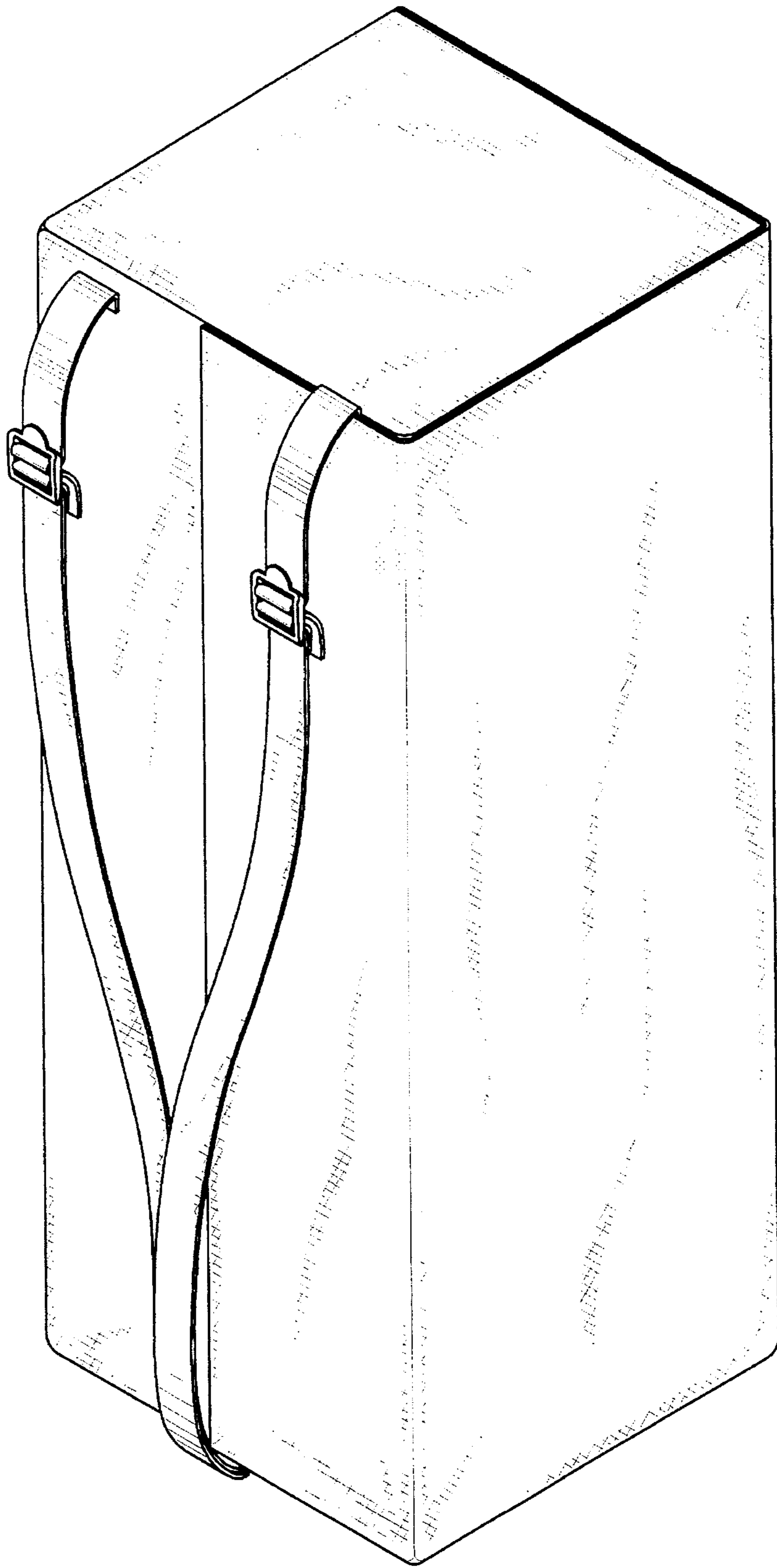


FIG. 9