



US00D377420S

# United States Patent [19]

Slyh et al.

[11] Patent Number: **Des. 377,420**

[45] Date of Patent: **\*\*Jan. 21, 1997**

## [54] HOLDER FOR A MOVIE TRADING CARD

[75] Inventors: **Ronald J. Slyh**, Santa Rosa; **Joseph E. Walsmith**, San Anselmo, both of Calif.

[73] Assignee: **Willitts Designs International, Inc.**, Petaluma, Calif.

[\*\*] Term: **14 Years**

[21] Appl. No.: **39,677**

[22] Filed: **Jun. 1, 1995**

[52] U.S. Cl. .... **D6/300; D6/314**

[58] Field of Search ..... **D6/300-303, 308-314, D6/470; D20/10, 42; 40/152, 152.1, 154-156, 158.1, 159.1, 159.2, 661**

## [56] References Cited

### U.S. PATENT DOCUMENTS

D. 237,240	10/1975	Paez .....	D6/301
2,362,434	11/1944	Fitch et al. ....	40/154
2,484,661	10/1949	Vogel .....	40/152

### FOREIGN PATENT DOCUMENTS

1432783	2/1965	France .....	40/152
---------	--------	--------------	--------

## OTHER PUBLICATIONS

Joan Cook, 1986, p. 31, #C new wave frame.

*Primary Examiner*—Janice E. Seeger  
*Attorney, Agent, or Firm*—Feix & Feix

## [57] CLAIM

The ornamental design for the holder for a movie trading card, as shown and described.

## DESCRIPTION

FIG. 1 is a left side isometric perspective view of the holder for a movie trading card of the present invention, the right side isometric perspective view being a mirror image thereof;

FIG. 2 is a top plan view of FIG. 1;

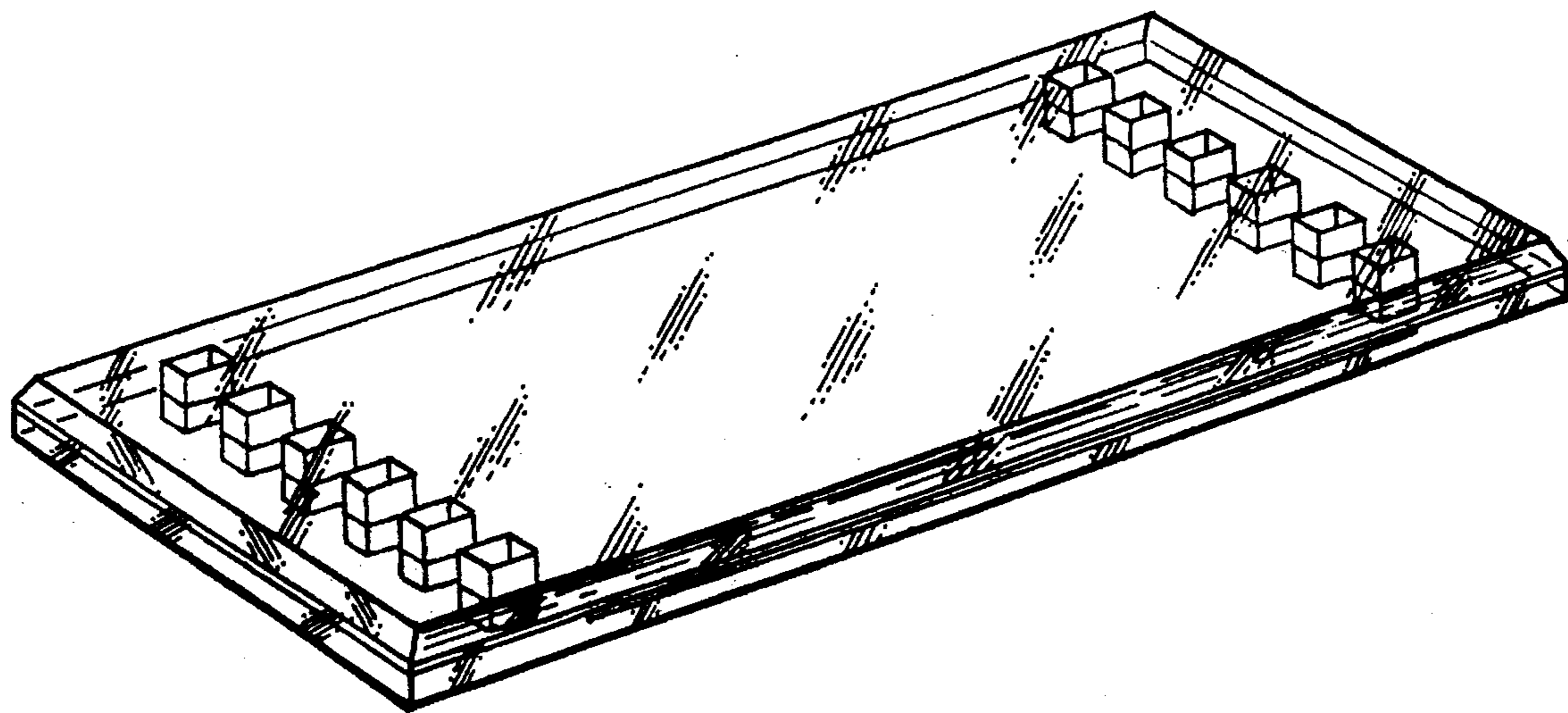
FIG. 3 is a left side elevation view of FIG. 1, the right side elevation view being a mirror image thereof;

FIG. 4 is a left end view of FIG. 1, the right end view being a mirror image thereof; and,

FIG. 5 is a bottom plan view of FIG. 1.

The broken lines showing the movie trading card and the inset film cell that are contained within the holder for a movie trading card of the present invention are for illustrative purposes only and form no part of the claimed design.

**1 Claim, 1 Drawing Sheet**



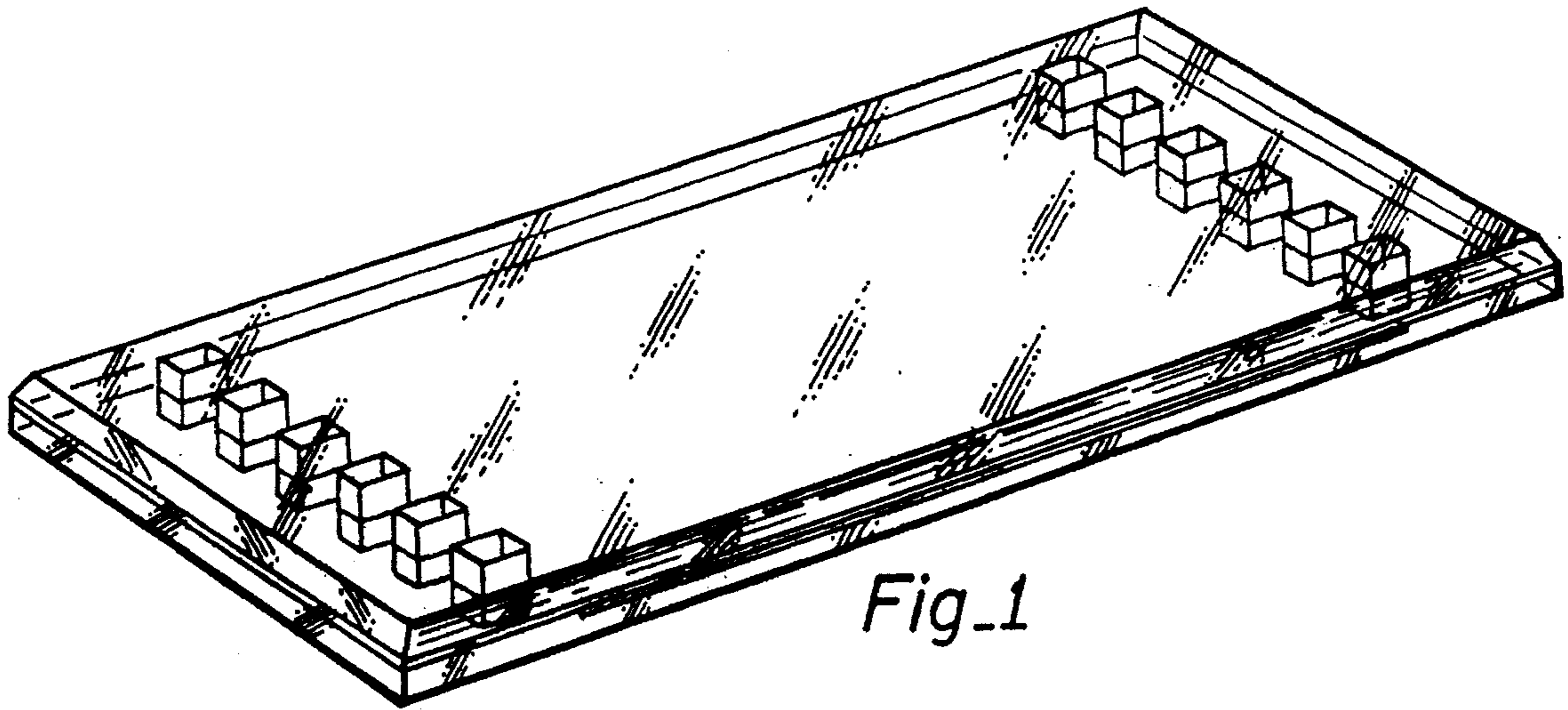


Fig. 1

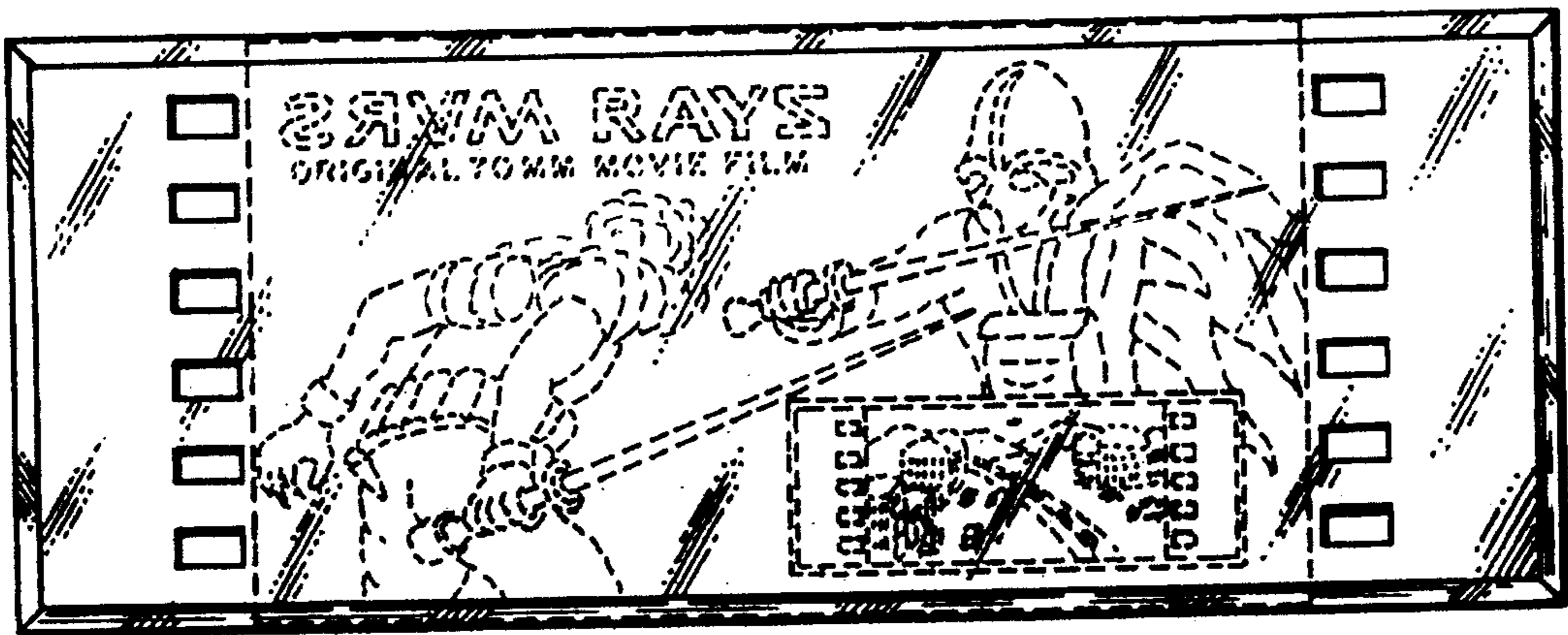


Fig. 2



Fig. 3



Fig. 4

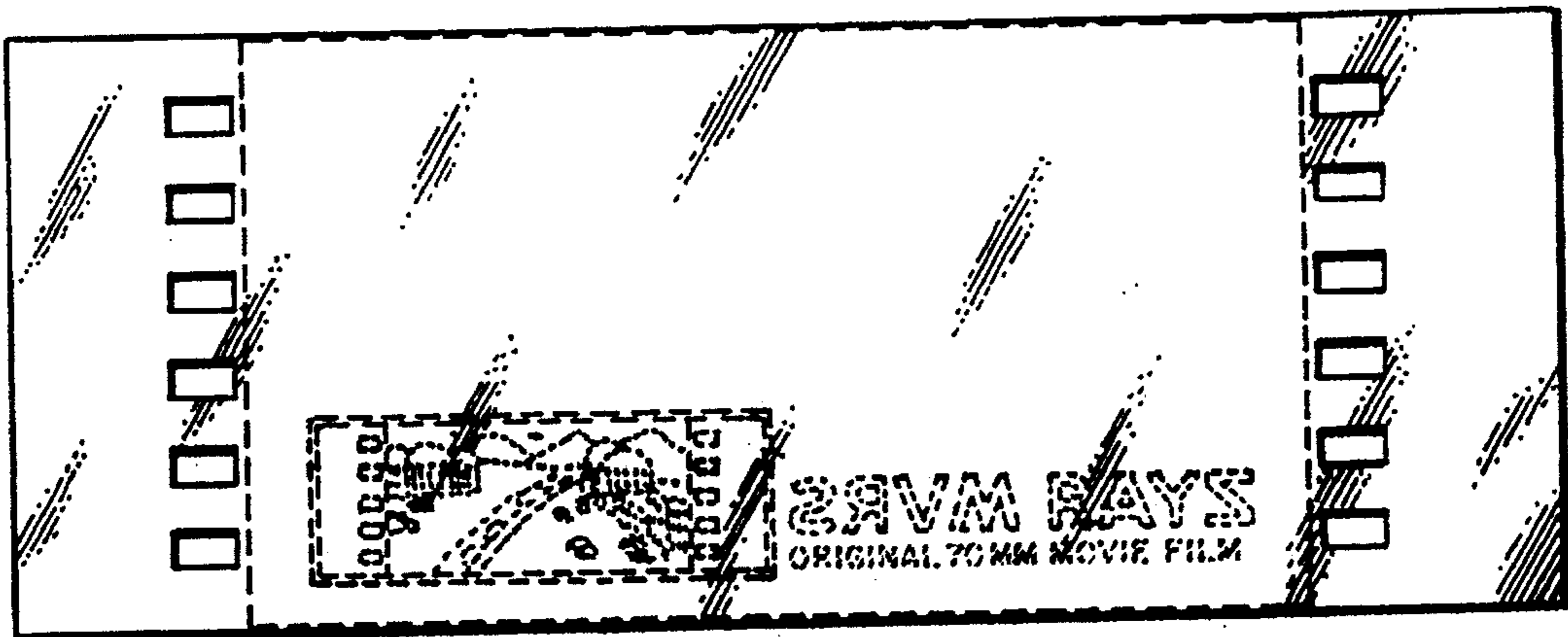


Fig. 5