



US00D377416S

United States Patent [19]
Aurora

[11] **Patent Number: Des. 377,416**
[45] **Date of Patent: **Jan. 21, 1997**

[54] **POCKET BUSINESS CARDS HOLDER**

Attorney, Agent, or Firm—Eugene J. A. Gierczak

[76] Inventor: **Chandler Aurora**, 49 Horseley Hill Drive, Scarborough Ontario, Canada, M1B 1W4

[57] **CLAIM**

The ornamental design for a “pocket business cards holder”, as shown and described.

[**] Term: **14 Years**

DESCRIPTION

[21] Appl. No.: **38,890**

FIG. 1 is perspective view of a pocket business cards holder showing my new design;

[22] Filed: **May 15, 1995**

FIG. 2 is a front elevation view of the pocket business cards holder in closed position;

[52] U.S. Cl. **D3/251; D3/247**

FIG. 3 is a plan view of the pocket business cards holder of FIG. 2;

[58] **Field of Search** D3/201, 203, 205, D3/206, 215, 225, 239, 247, 248, 249, 251, 253, 273, 302, 901; D7/392.11, 538; D9/307, 340, 420, 421, 423, 424; D19/78, 83; 150/107, 147, 148; 206/37, 37 R, 38, 38 R, 39, 351, 349, 352, 457; 220/4.22, 4.23, 4.24, 306; 224/202, 236; 383/907

FIG. 4 is a right hand side view of the pocket business cards holder of FIG. 2;

FIG. 5 is a left hand side view of the pocket business cards holder of FIG. 2;

[56] **References Cited**

U.S. PATENT DOCUMENTS

5,125,505 6/1992 Kurosaki 206/39 X
5,452,793 9/1995 DiMeo, Jr. et al. 206/39

FIG. 6 is a front elevation view of another embodiment of a pocket business cards holder in closed position;

FIG. 7 is plan view of the pocket business cards holder of FIG. 6;

FIG. 8 is a right hand side view of the pocket business cards holder of FIG. 6;

FIG. 9 is a left hand side view of the pocket business cards holder of FIG. 6; and,

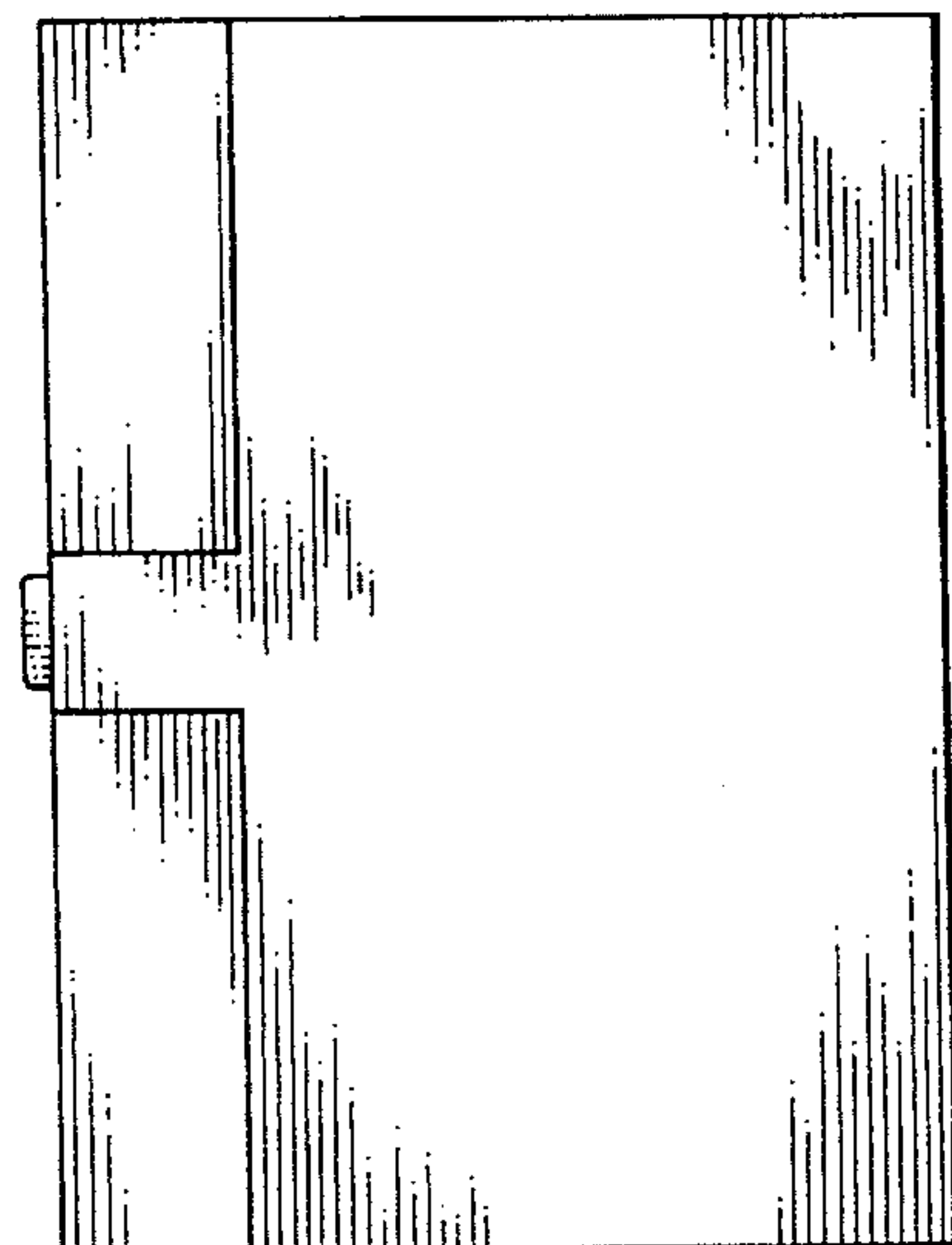
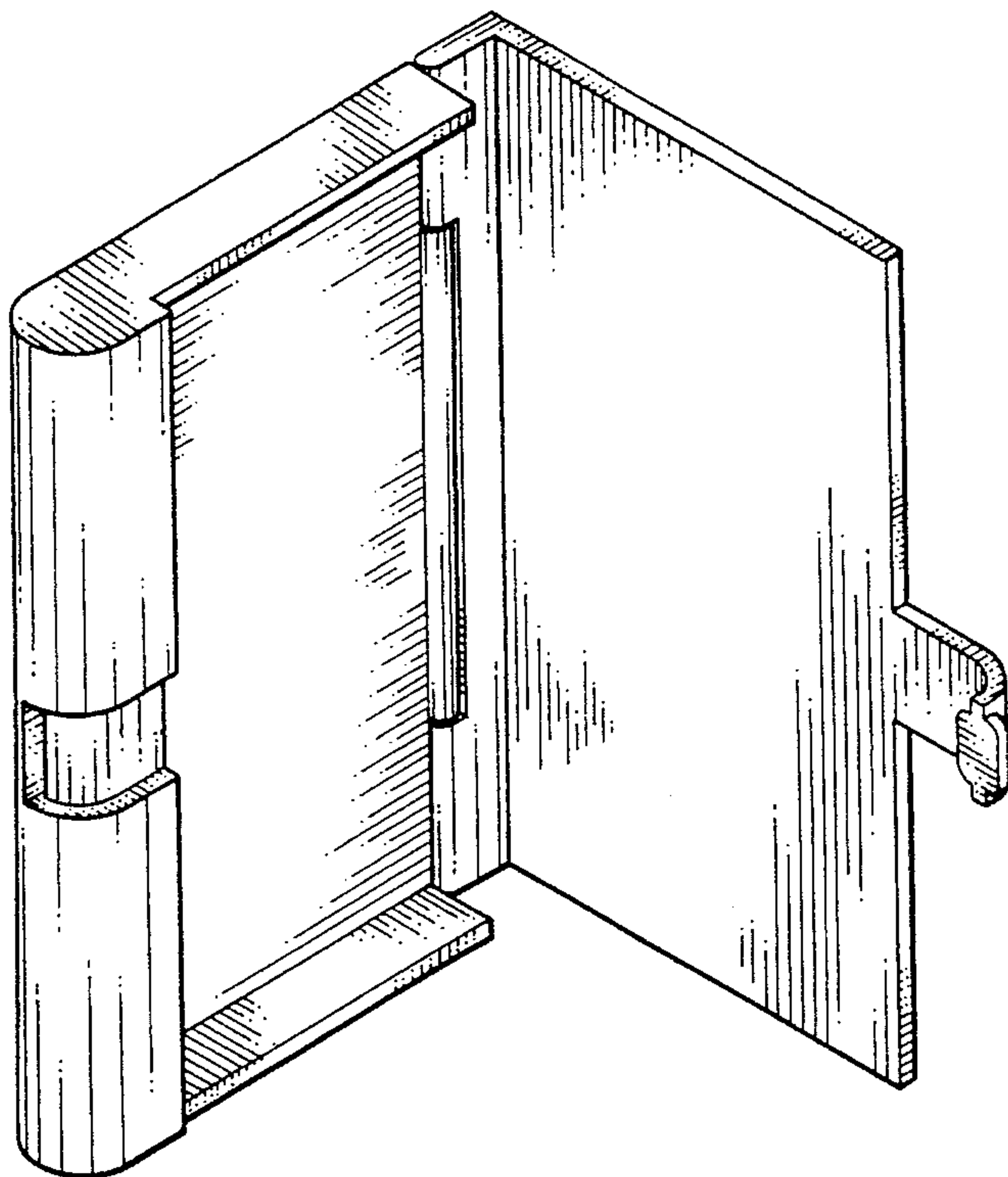
FIG. 10 is a rear elevation view of the pocket business cards holder in closed position.

FOREIGN PATENT DOCUMENTS

466343 3/1992 European Pat. Off. 206/349

Primary Examiner—Louis S. Zarfes
Assistant Examiner—Monica A. Weingart

1 Claim, 4 Drawing Sheets



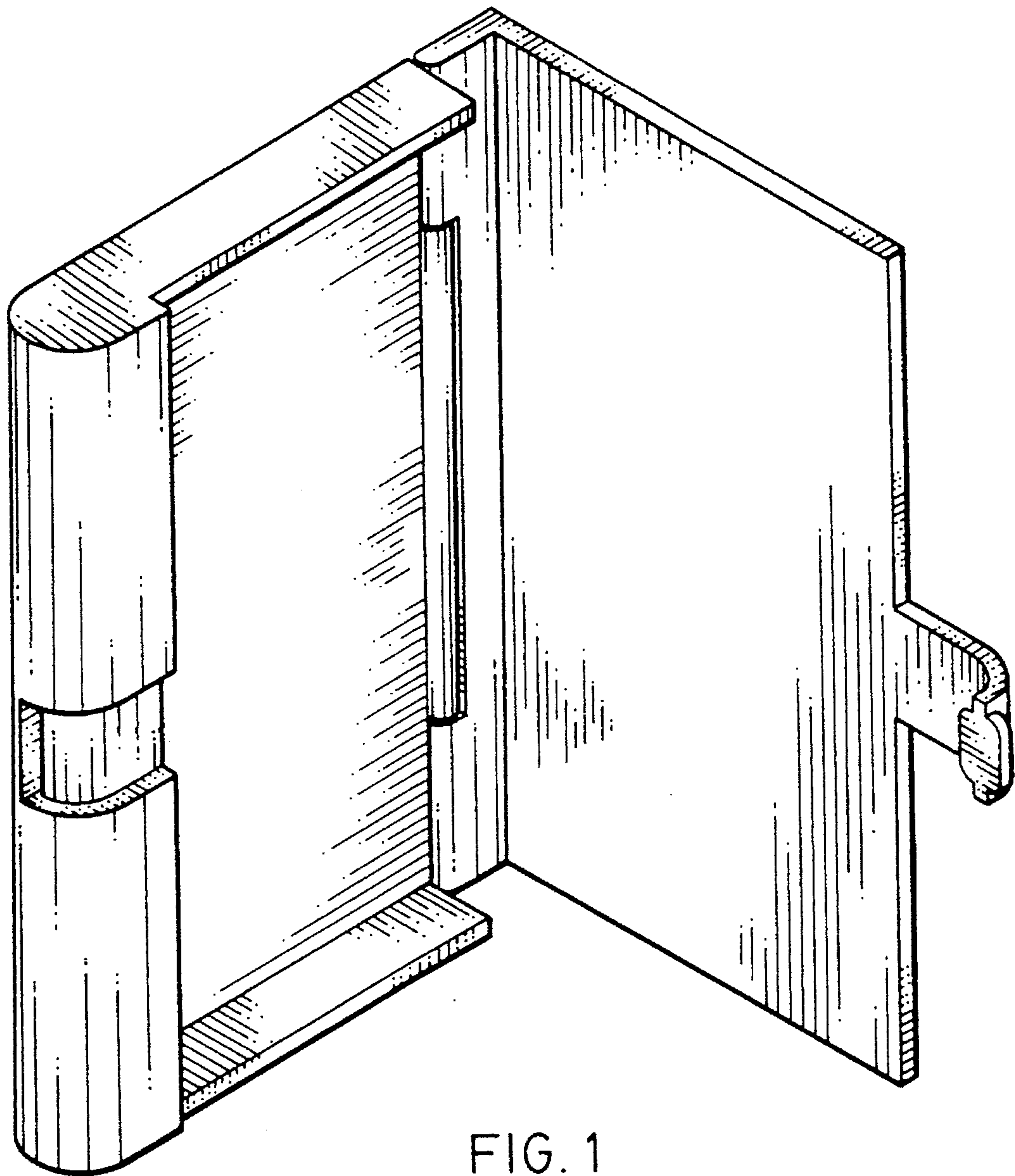


FIG. 1

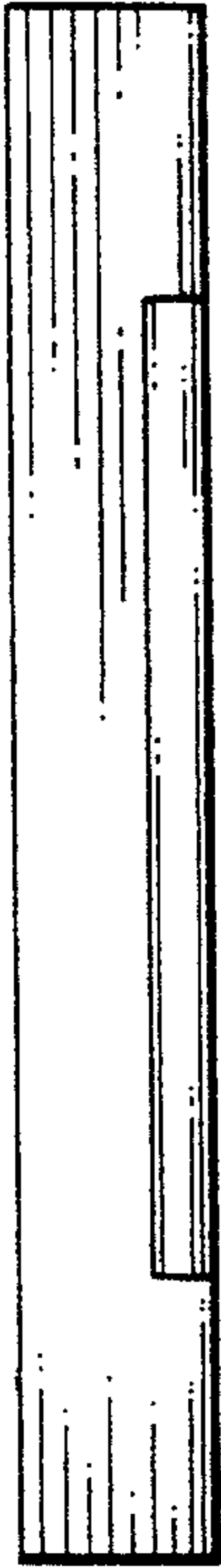


FIG. 4

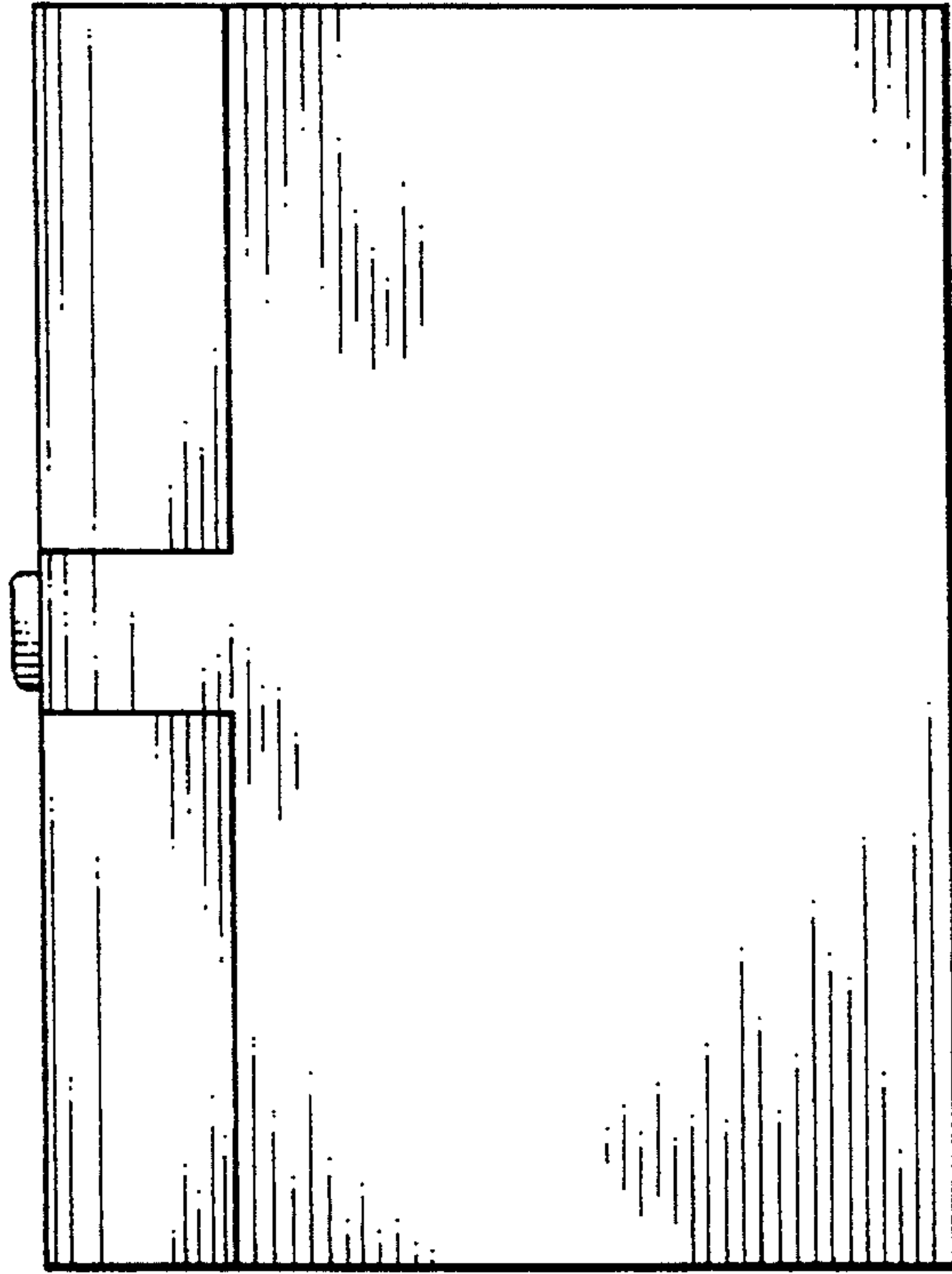


FIG. 2



FIG. 5



FIG. 3

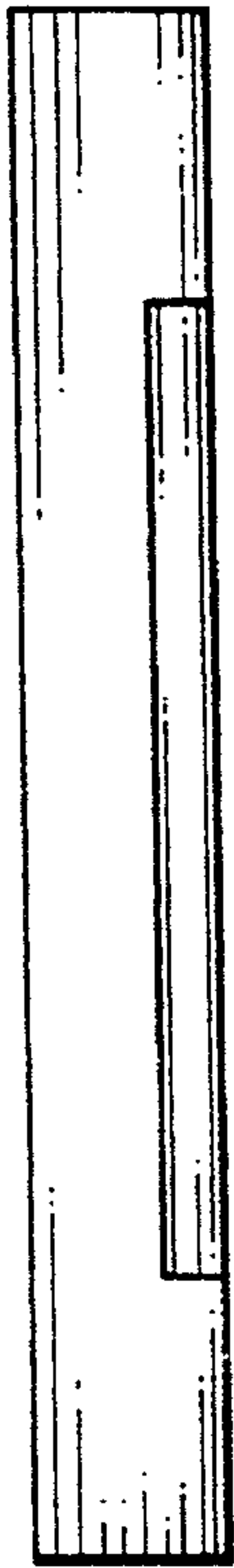


FIG. 8

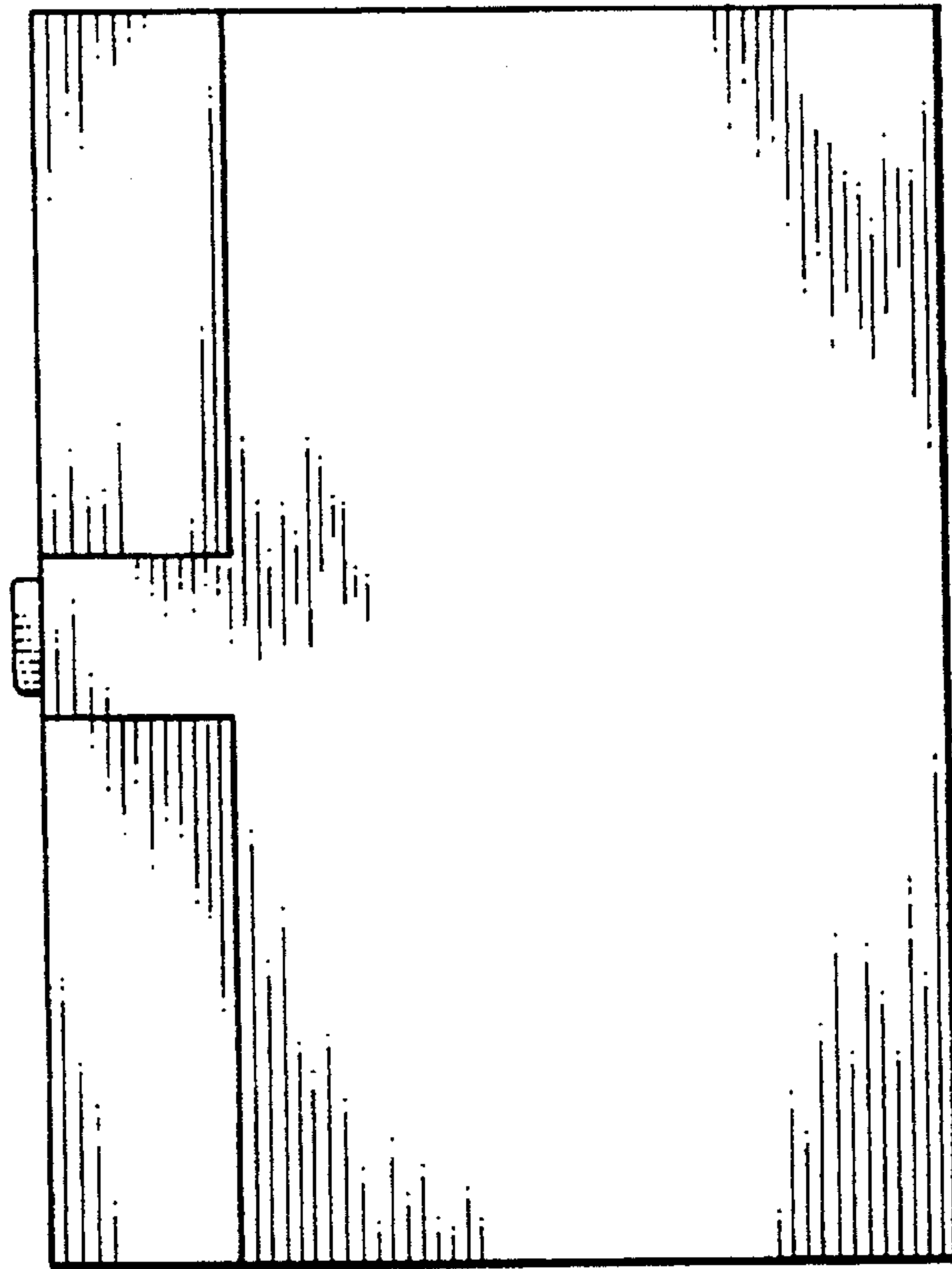


FIG. 6

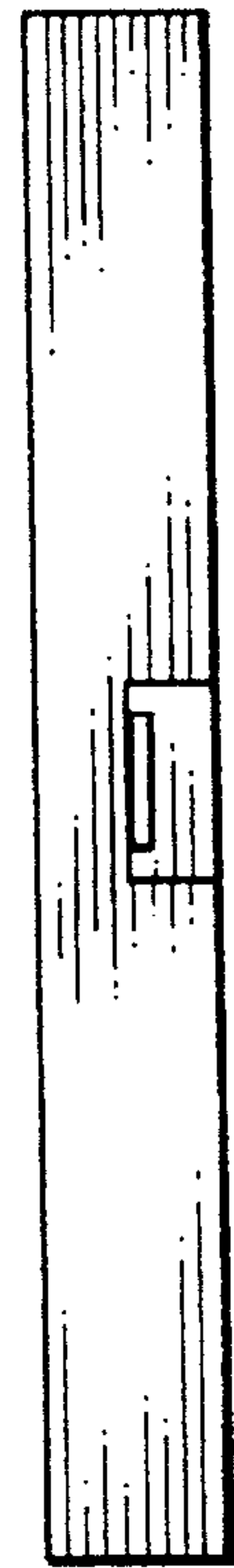


FIG. 9

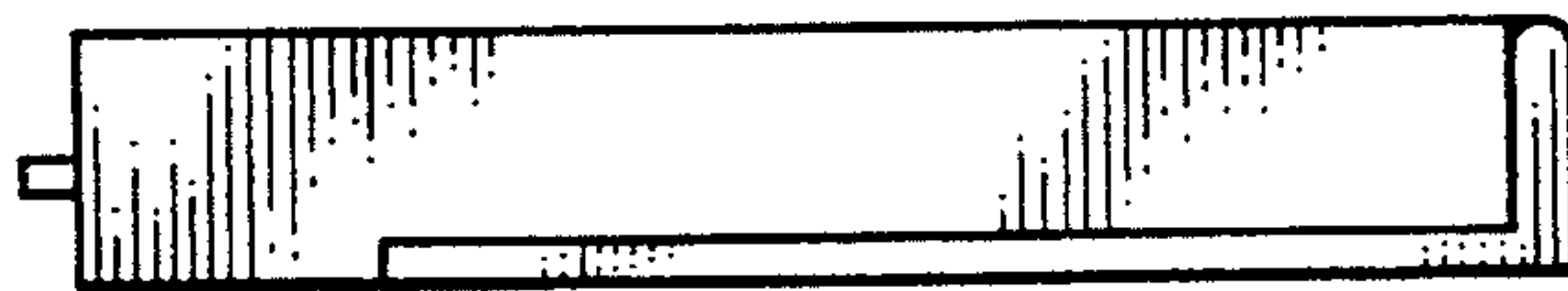


FIG. 7

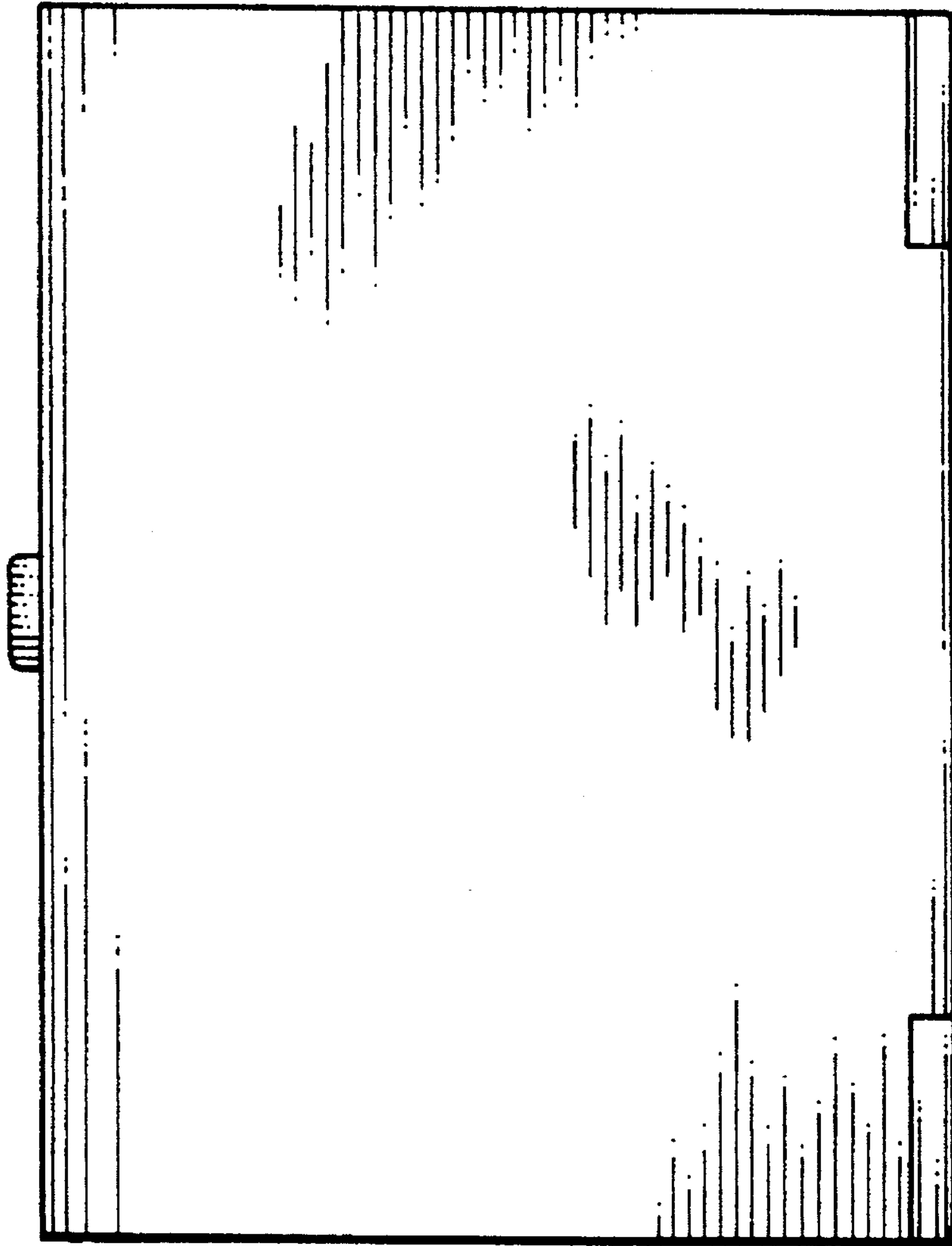


FIG. 10