



US00D377415S

# United States Patent [19]

[11] Patent Number: **Des. 377,415**

Jacobs et al.

[45] Date of Patent: **\*\*Jan. 21, 1997**

[54] **EXPANDABLE SCHOOLBAG WITH FRONT UTILITY COMPARTMENT**

*Primary Examiner*—Louis S. Zarfes  
*Assistant Examiner*—Monica A. Hannon  
*Attorney, Agent, or Firm*—Morgan, Lewis and Bockius LLP

[75] Inventors: **Steven Jacobs**, New York, N.Y.; **Julie B. Kampf**, Tenafly, N.J.

[57] **CLAIM**

[73] Assignee: **Michael Stevens, Ltd.**, New York, N.Y.

The ornamental design for an expandable schoolbag with front utility compartment, as shown and described.

[\*\*] Term: **14 Years**

**DESCRIPTION**

[21] Appl. No.: **40,462**

FIG. 1 is a perspective view of the front of the expandable schoolbag with front utility compartment embodying our design;

[22] Filed: **Jun. 19, 1995**

[52] U.S. Cl. .... **D3/206**; D3/233

FIG. 2 is a front view of the expandable schoolbag with front utility compartment embodying our design;

[58] **Field of Search** ..... D3/201, 206, 226, D3/230, 231, 232, 233, 243, 245, 246, 247, 249, 250, 253, 303, 318, 319, 323, 324, 326, 327, 900; 150/100, 112, 118, 119, 130; 190/109, 111, 901, 902, 903; 206/232, 305, 576; 383/4, 25, 38, 40, 86

FIG. 3 is a back view of the expandable schoolbag with front utility compartment embodying our design;

[56] **References Cited**

**U.S. PATENT DOCUMENTS**

D. 75,202	5/1928	Wolf .	
D. 134,256	11/1942	Lewis .	
D. 140,255	2/1945	Schlessinger .....	D87/3
D. 140,498	3/1945	Calem .....	D87/3
D. 168,146	11/1952	Kiszely .....	D87/3
D. 240,090	5/1976	Siegel .....	D87/3 F
D. 245,645	8/1977	Casser .....	D87/3 F
D. 246,939	1/1978	Casser .....	D87/3 F
D. 247,069	1/1978	Siris .....	D87/3 R
D. 247,262	2/1978	Tweedie .....	D87/3 F
D. 250,734	1/1979	Siegel .....	D87/3 F
D. 263,649	4/1982	Schimmel .....	D3/52
D. 273,535	4/1984	Weinreb .....	D3/33
D. 273,537	4/1984	Gerch .....	D3/71
D. 275,152	8/1984	Gerch .....	D3/71

FIG. 4 is a left side view, the right side being a mirror image of the expandable schoolbag with front utility compartment;

FIG. 5 is a top view of the expandable schoolbag with front utility compartment embodying our design;

FIG. 6 is a bottom view of the expandable schoolbag with front utility compartment embodying our design;

FIG. 7 is a front view of the expandable schoolbag with front utility compartment embodying our design with the top closure flap open;

FIG. 8 is a front view of the expandable schoolbag with front utility compartment embodying our design showing the utility compartment; and,

FIG. 9 is a bottom view of the expandable schoolbag with front utility compartment embodying our design showing the expandable feature.

(List continued on next page.)

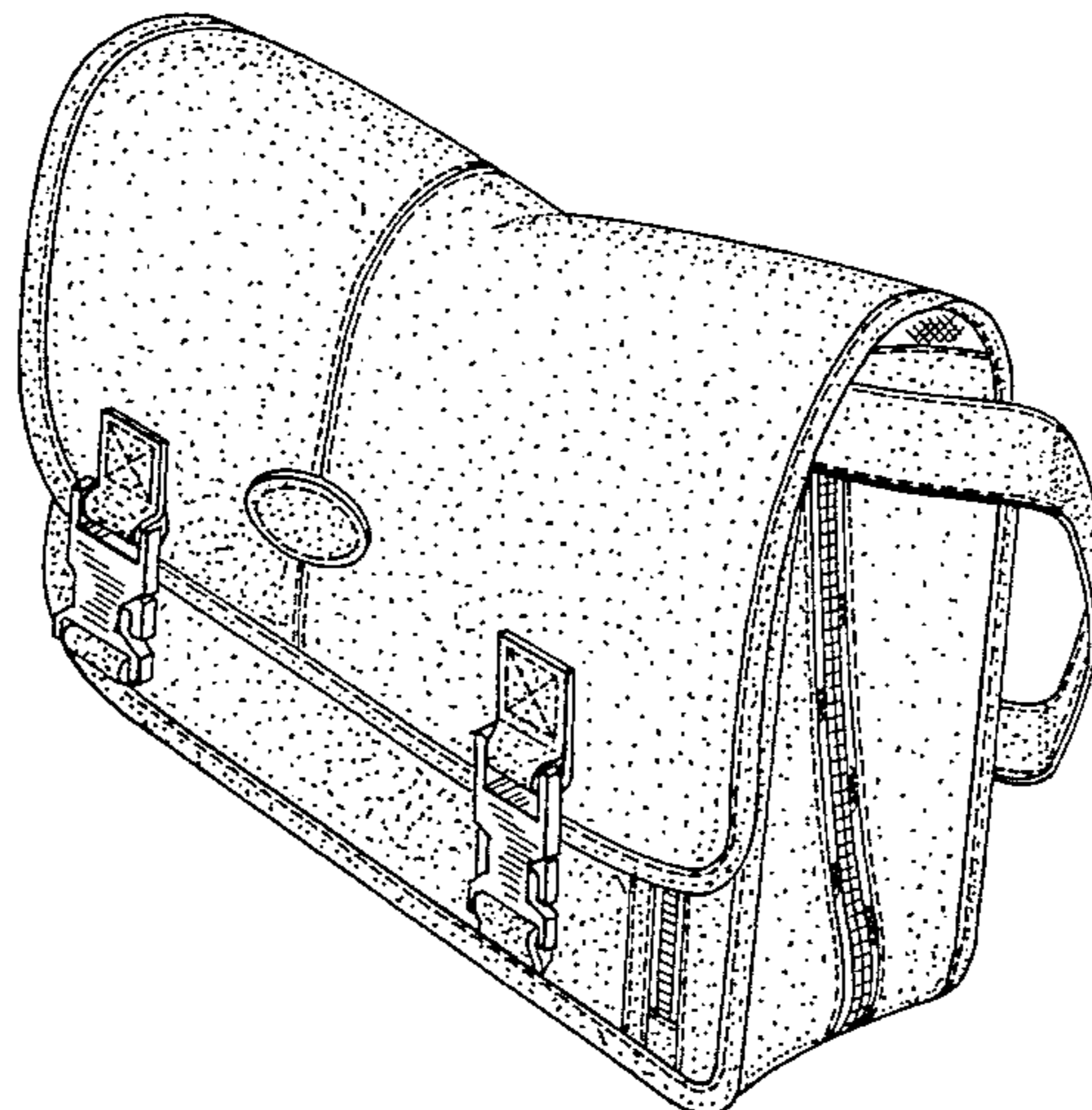
**OTHER PUBLICATIONS**

*Accessories Mag.*, Mar. 1985, p. 94, "Hunt Club" Bag, center of page.

*Accessories Mag.*, Mar. 1985, p. 103, "Peggy Freedman", with Flap Bag, center of page.

The broken line showing of organizational features in FIG. 8 is for illustrative purposes only and forms no part of the claimed design.

**1 Claim, 9 Drawing Sheets**



## U.S. PATENT DOCUMENTS

D. 284,623	7/1986	Gerch .....	D3/48	D. 330,281	10/1992	Siris .....	D3/48
D. 286,703	11/1986	Katz .....	D3/52	D. 334,470	4/1993	Perrin et al. ....	D3/52
D. 292,746	11/1987	Allen .....	D3/48	D. 340,356	10/1993	Hughes .....	D3/71
D. 292,747	11/1987	Allen .....	D3/48	D. 345,651	4/1994	Copp .....	D3/285
D. 293,508	1/1988	Marconi .....	D3/48	D. 346,693	5/1994	Saltzman et al. ....	D3/283
D. 294,196	2/1988	Bialo .....	D3/54	D. 352,166	11/1994	Caligiuri .....	D3/243
D. 300,987	5/1989	Gerch .....	D3/76	D. 352,604	11/1994	Johnson .....	D3/900 X
D. 302,211	7/1989	Sears .....	D3/71	D. 352,820	11/1994	Holtzclaw, Jr. ....	D3/79
D. 314,274	2/1991	Jantzen .....	D3/52	1,722,507	7/1929	Stanley .	
D. 324,977	3/1992	Rosson .....	D7/626	2,183,428	12/1939	McNary .....	150/34
D. 325,469	4/1992	Kim .....	D3/900 X	2,331,428	10/1943	Selezneff .....	150/34
D. 326,188	5/1992	Thomas .....	D3/48	2,505,208	4/1950	Ruml, Jr. ....	206/4
D. 328,524	8/1992	St. Thomas .....	D3/52	2,533,850	12/1950	Syracuse .....	190/111 X
D. 328,672	8/1992	van de Meene .....	D3/76	2,691,401	10/1954	Kontoff et al. ....	190/111 X
D. 329,327	9/1992	Holtzclaw, Jr. ....	D3/38	3,454,068	7/1969	Goldstein et al. ....	150/1.6
D. 329,330	9/1992	Pardo .....	D3/76	3,955,609	5/1976	Siegel .....	150/35
				4,153,092	5/1979	Haslam .....	150/33

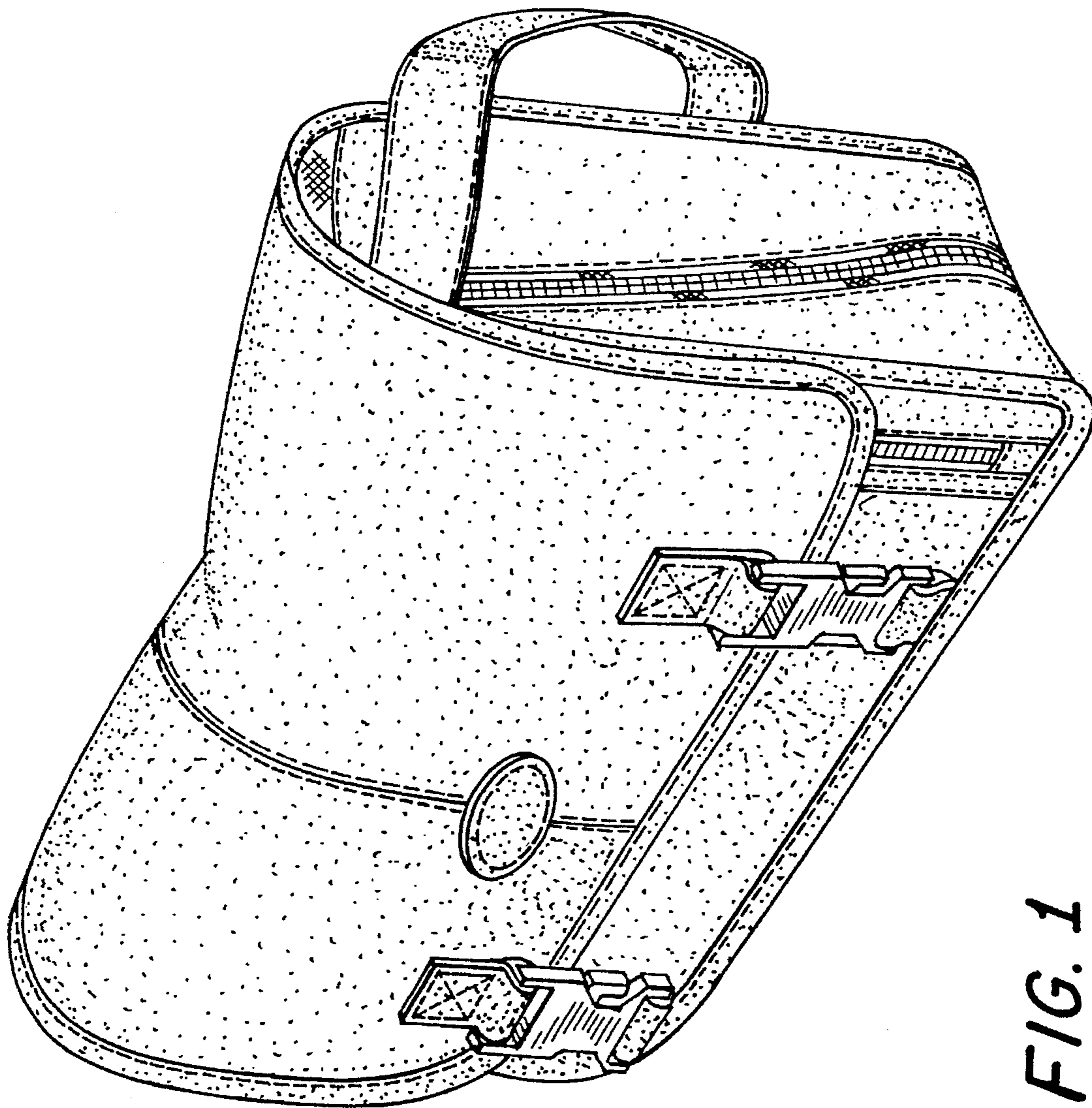


FIG. 1

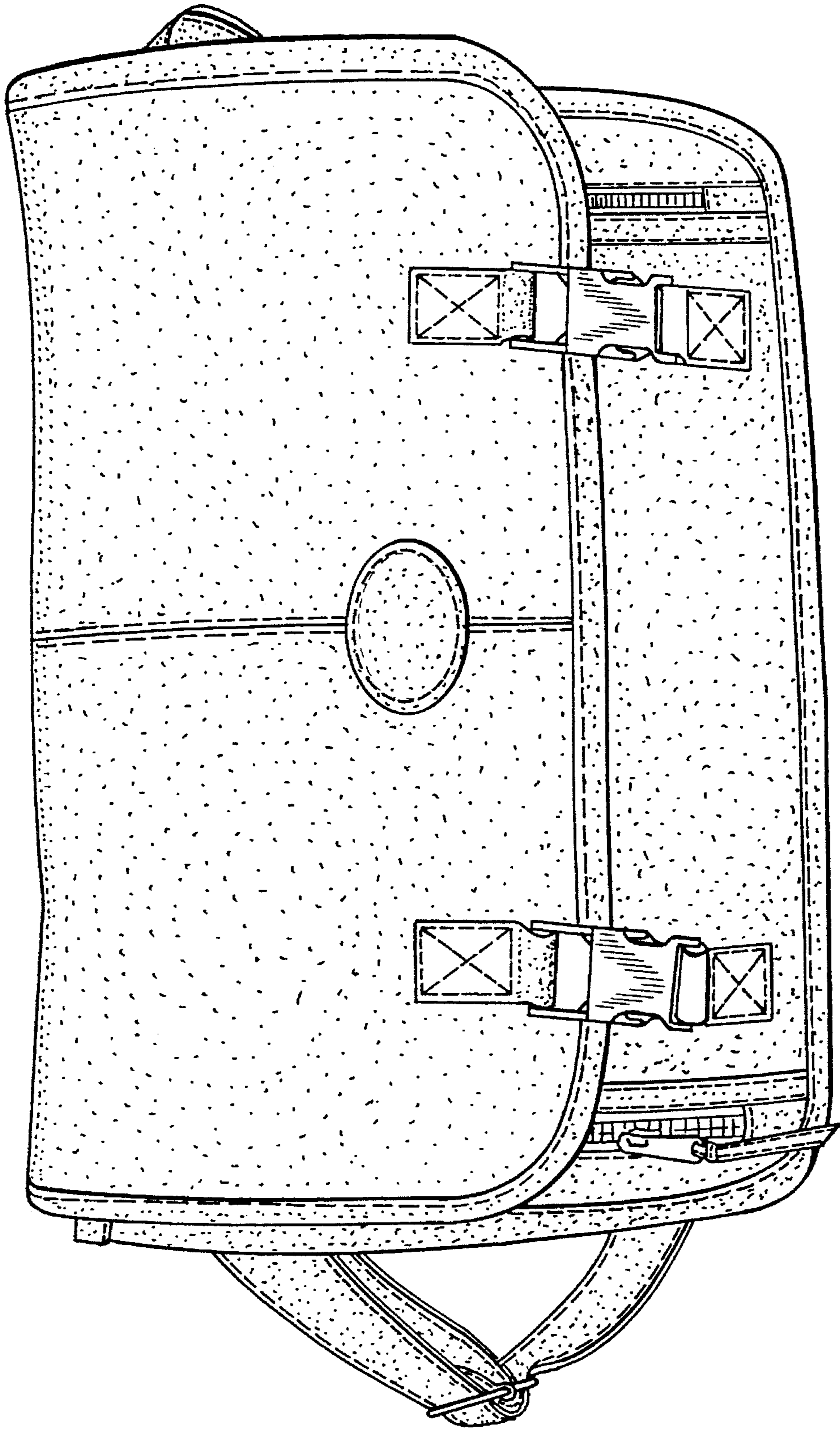


FIG. 2

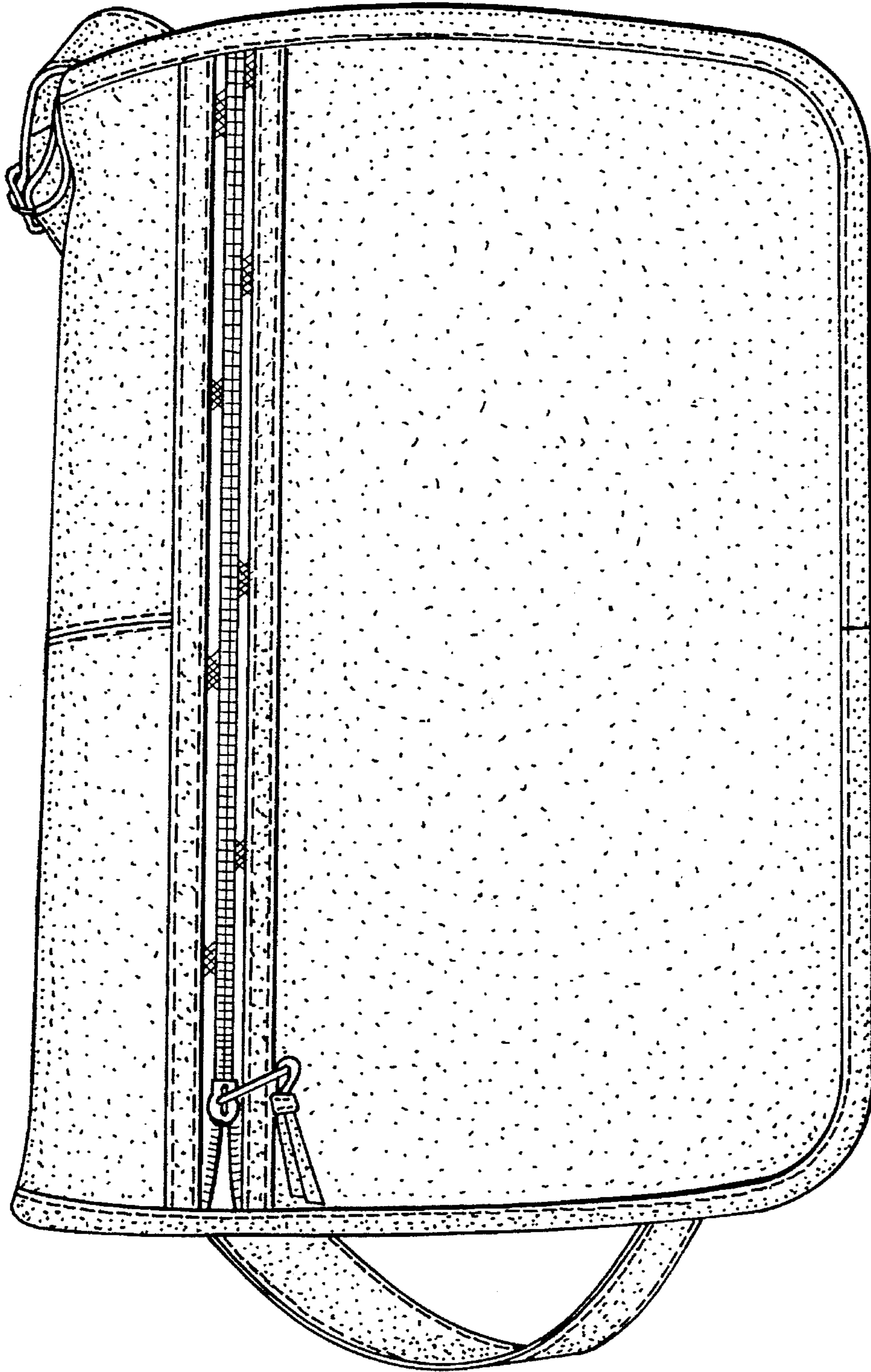
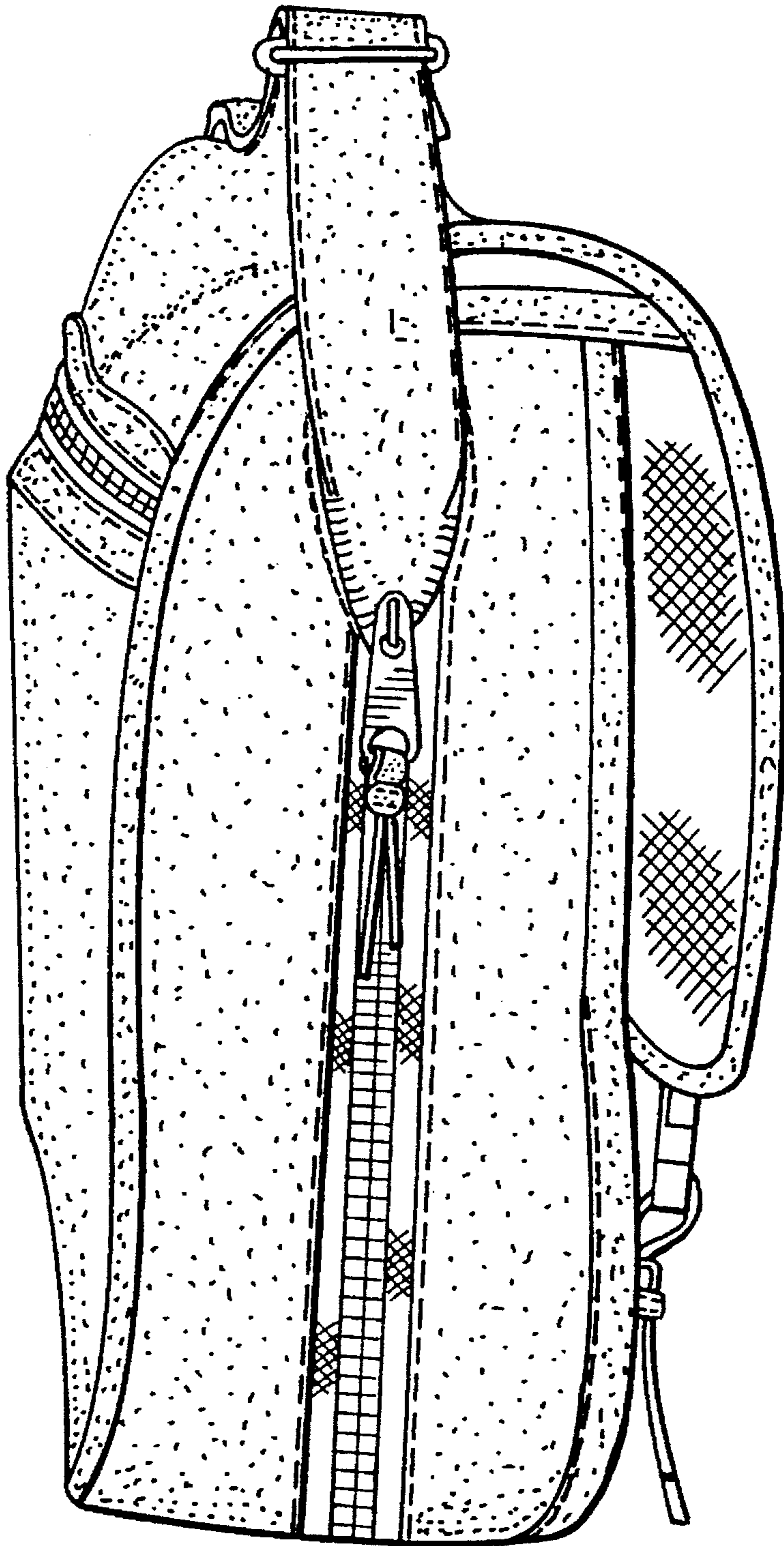


FIG. 3



*FIG. 4*

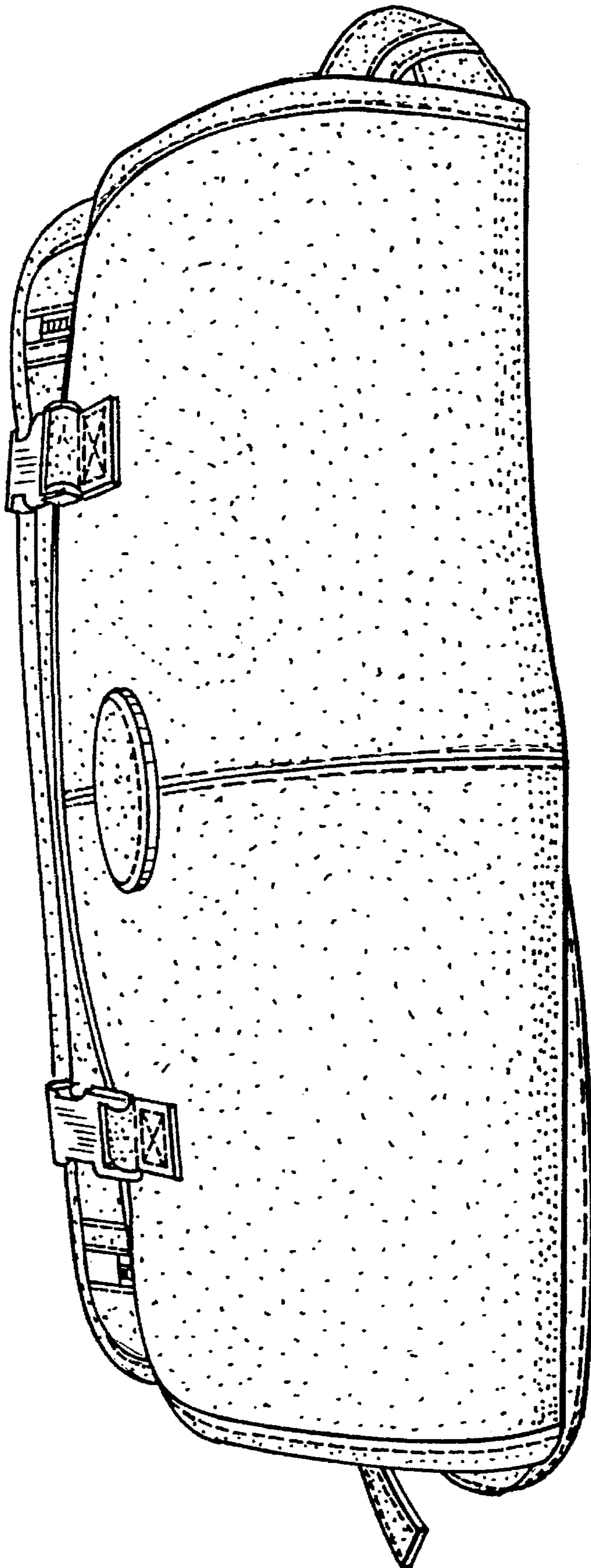


FIG. 5

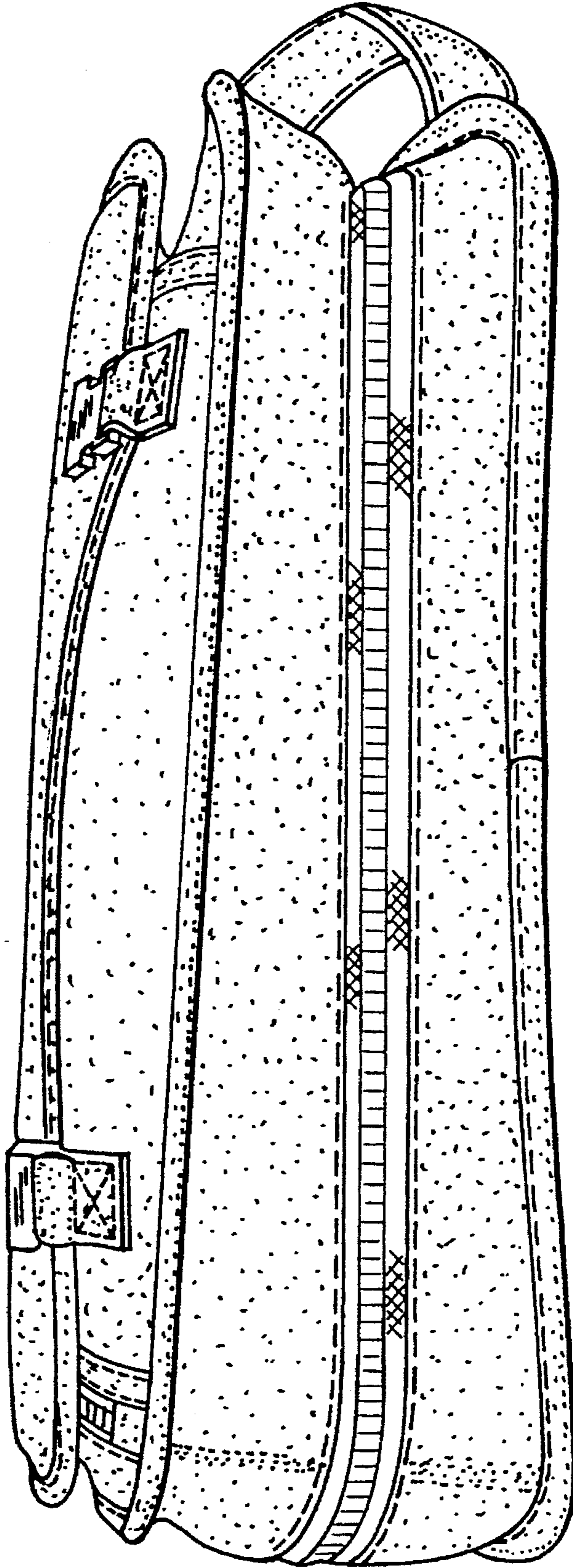


FIG. 6



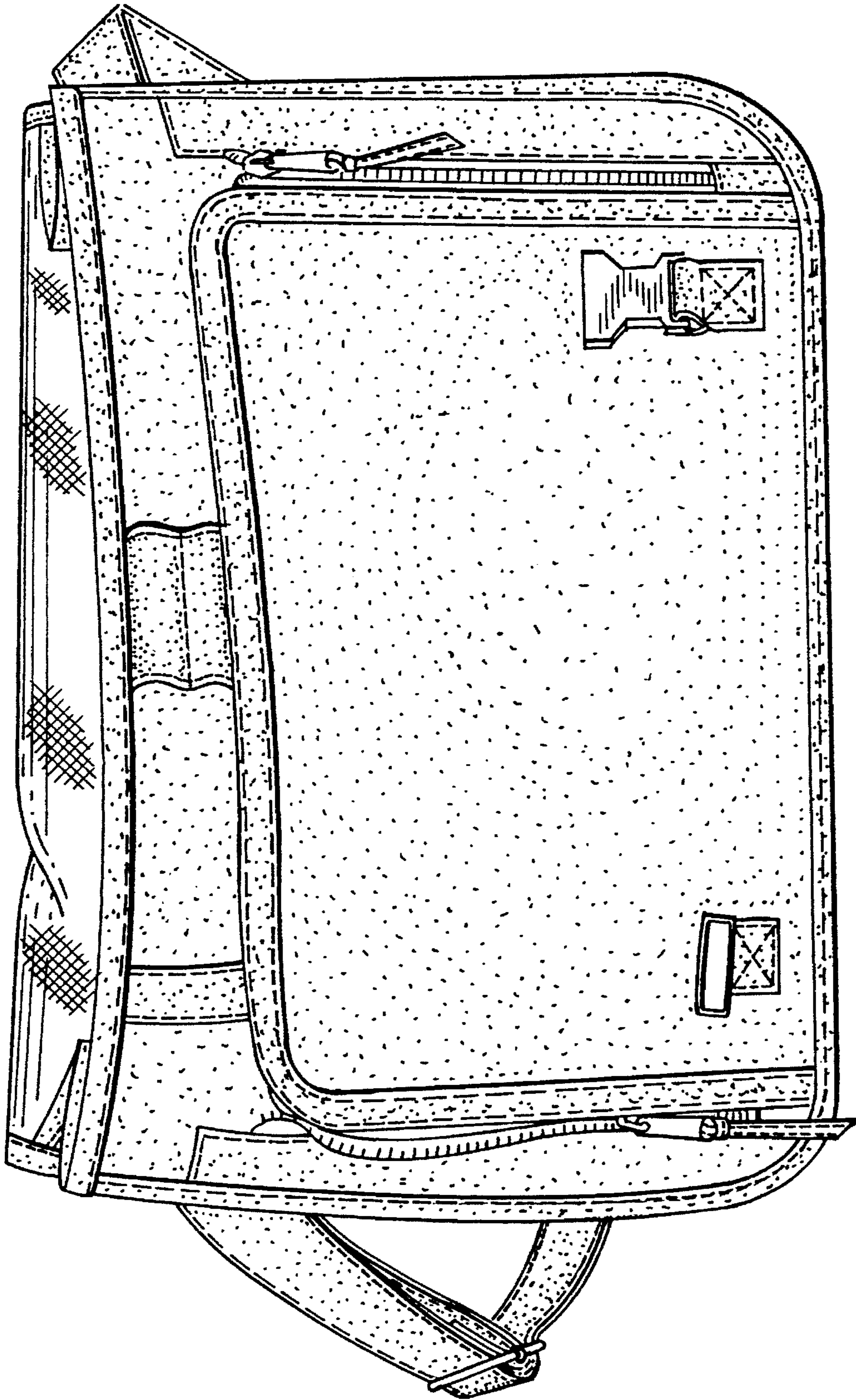


FIG. 7

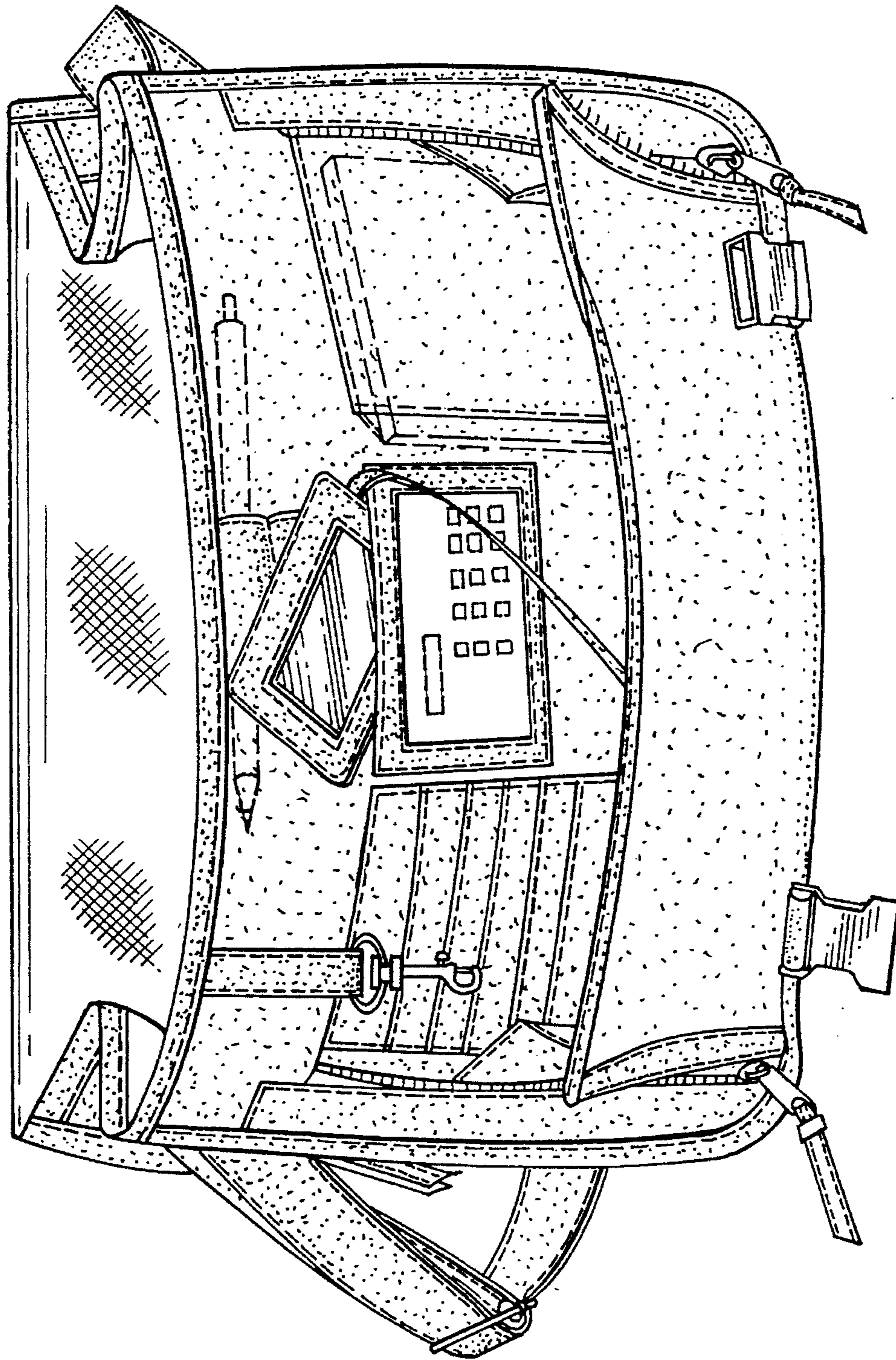


FIG. 8

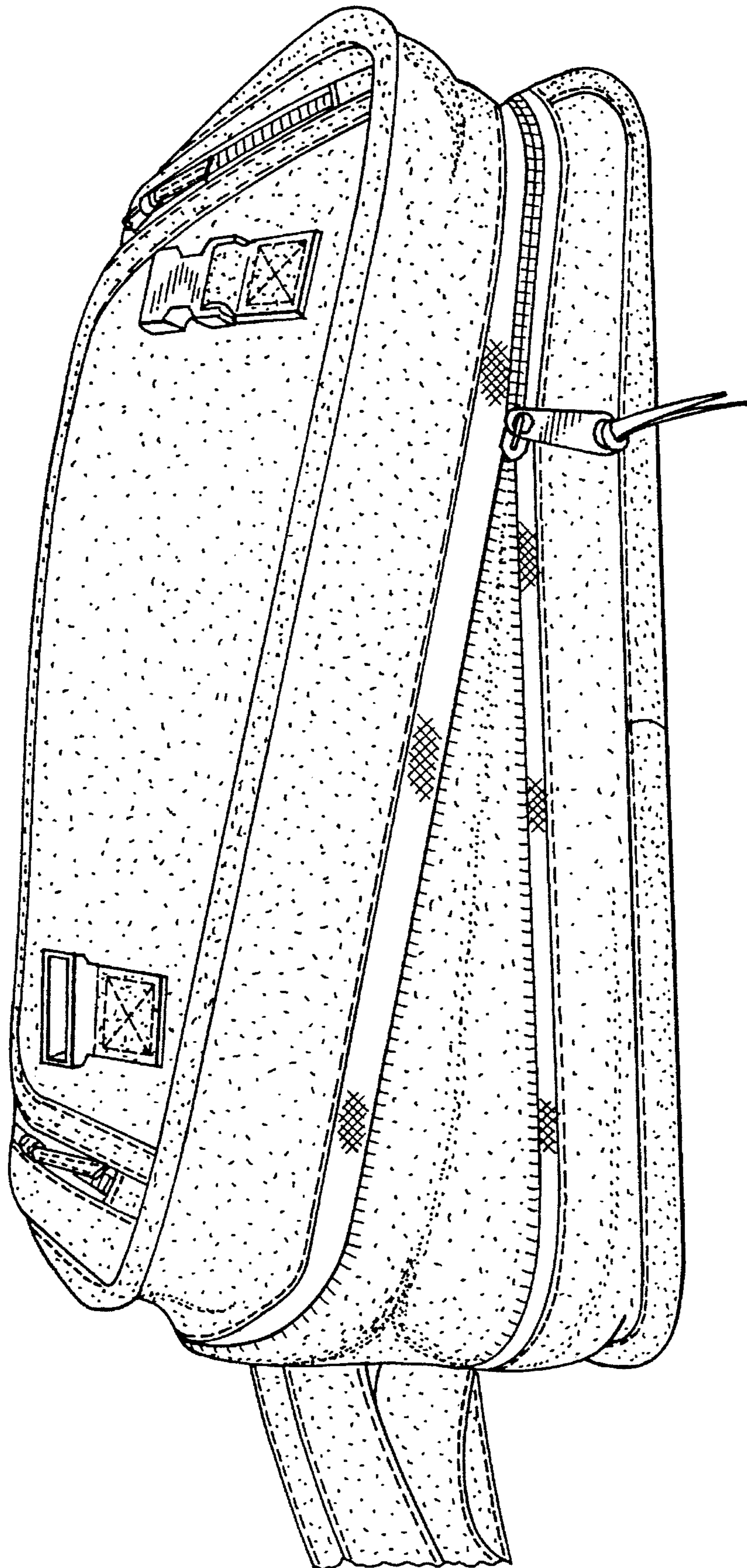


FIG. 9