



US00D377400S

United States Patent [19]
Blackman

[11] **Patent Number: Des. 377,400**

[45] **Date of Patent: **Jan. 14, 1997**

[54] **WALL LIGHT FIXTURE**

[76] Inventor: **Stephen E. Blackman**, 248 Columbia Turnpike, Florham Park, N.J. 07932

[**] Term: **14 Years**

[21] Appl. No.: **33,900**

[22] Filed: **Jan. 23, 1995**

[52] U.S. Cl. **D26/87**

[58] **Field of Search** D26/72, 80-92, D26/73, 101, 128-136; 362/147, 432, 326, 327, 329, 331, 333, 334, 337, 338, 339, 340, 351, 352, 353, 355, 356

[56] **References Cited**

U.S. PATENT DOCUMENTS

D. 68,017 8/1925 Schaffer D26/84
D. 167,694 9/1952 Irmischer D26/101

OTHER PUBLICATIONS

Kichler Lighting Catalog, ©1989, p. 45, Wall Lamp #K-491.
Thomas Lighting Catalog, 1983, p. 82, Wall Lamps #M1812 & M1813.

Primary Examiner—Susan J. Lucas

Attorney, Agent, or Firm—Ezra Sutton

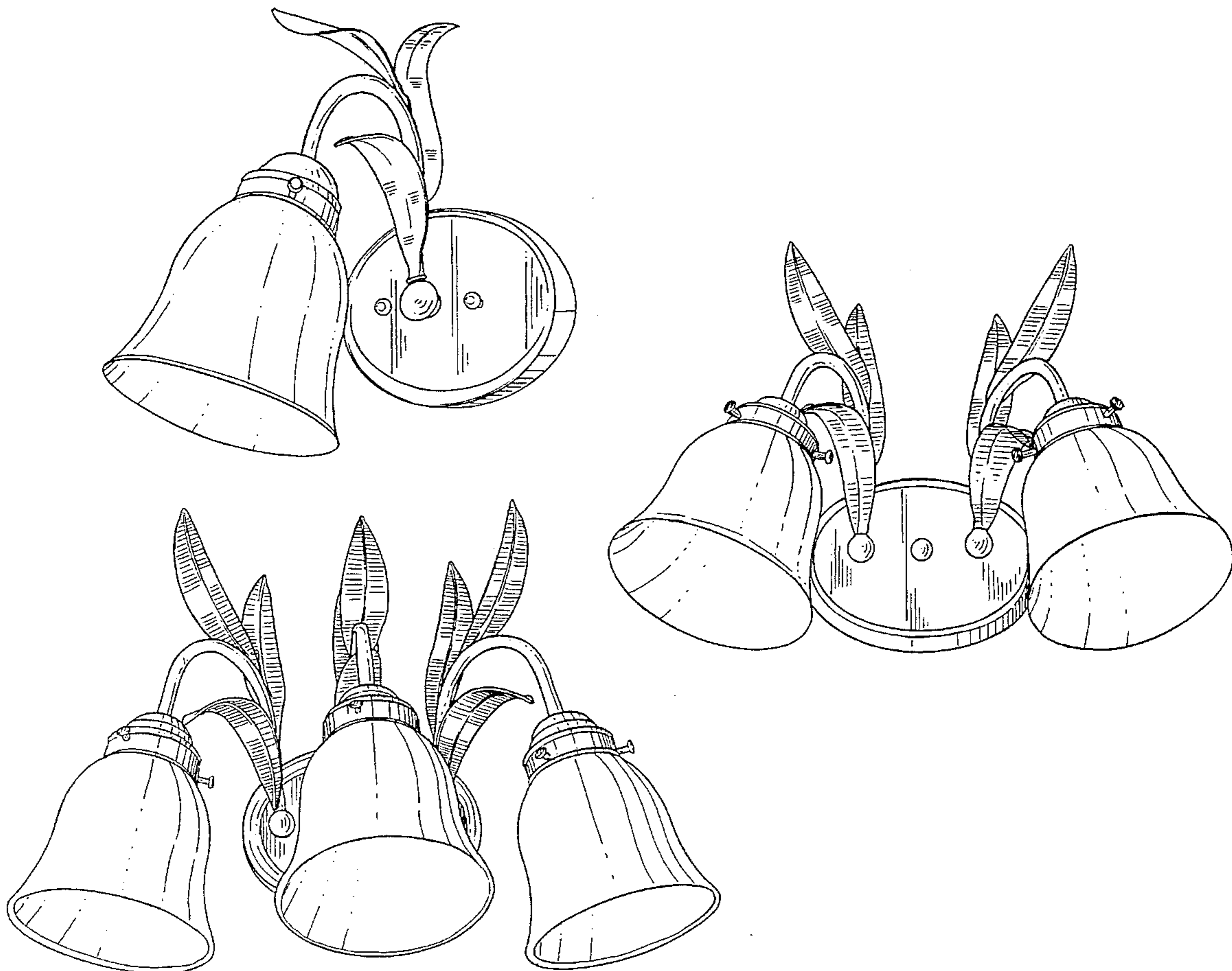
[57] **CLAIM**

The ornamental design for a wall light fixture, as shown and described.

DESCRIPTION

FIG. 1 is a perspective view of a wall light fixture showing my new design having a single light;
FIG. 2 is a front view thereof;
FIG. 3 is a side view thereof;
FIG. 4 is a top plan view thereof;
FIG. 5 is a bottom plan view thereof;
FIG. 6 is a perspective view of an alternative embodiment having two lights;
FIG. 7 is a front view thereof;
FIG. 8 is a side view thereof;
FIG. 9 is a top plan view thereof;
FIG. 10 is a bottom plan view thereof;
FIG. 11 is a perspective view of a second alternative embodiment having three lights;
FIG. 12 is a front view thereof;
FIG. 13 is a side view thereof;
FIG. 14 is a top plan view thereof; and,
FIG. 15 is a bottom plan view thereof.

1 Claim, 15 Drawing Sheets



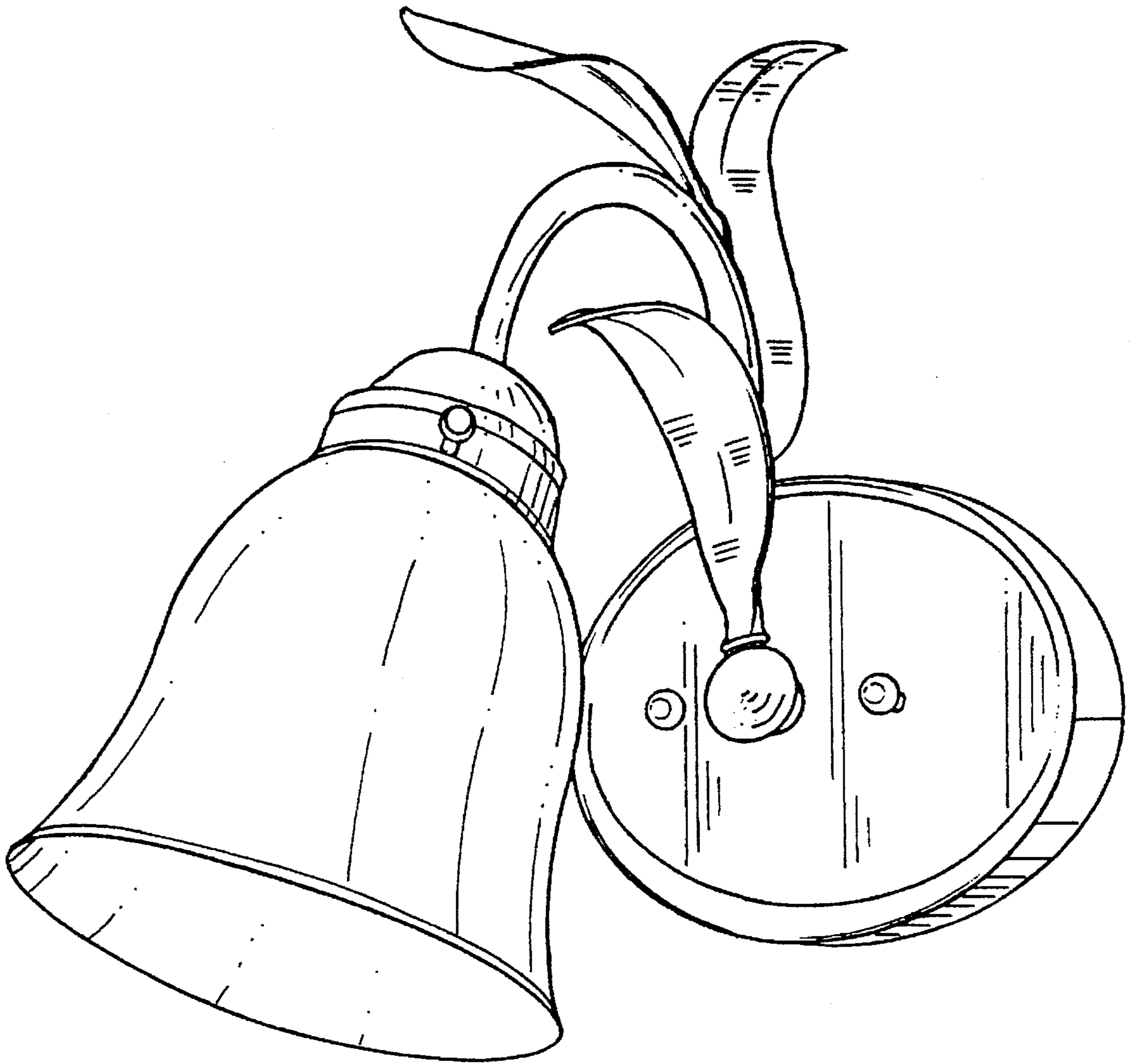


FIG. 1

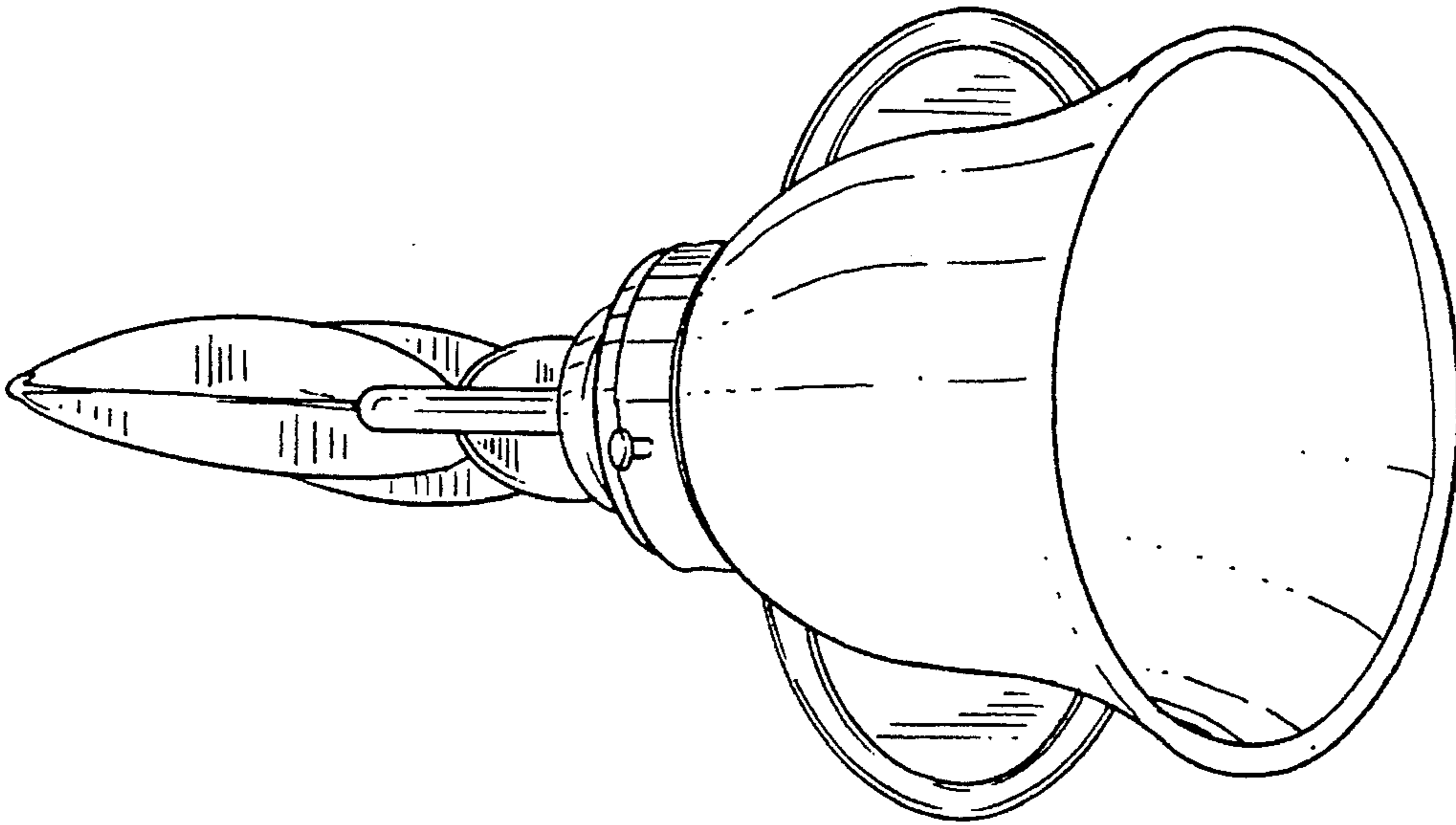
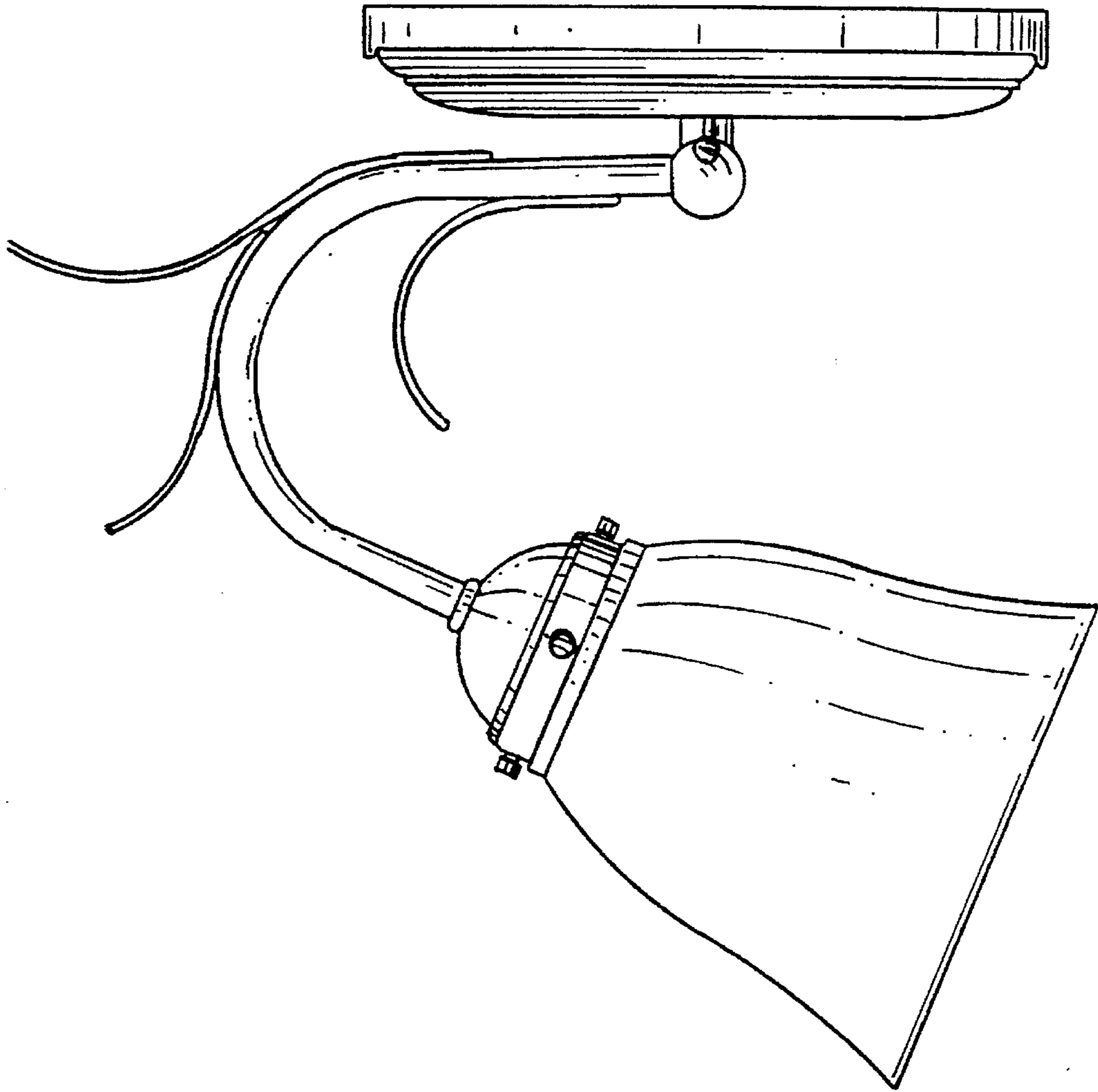


FIG. 2

FIG. 3



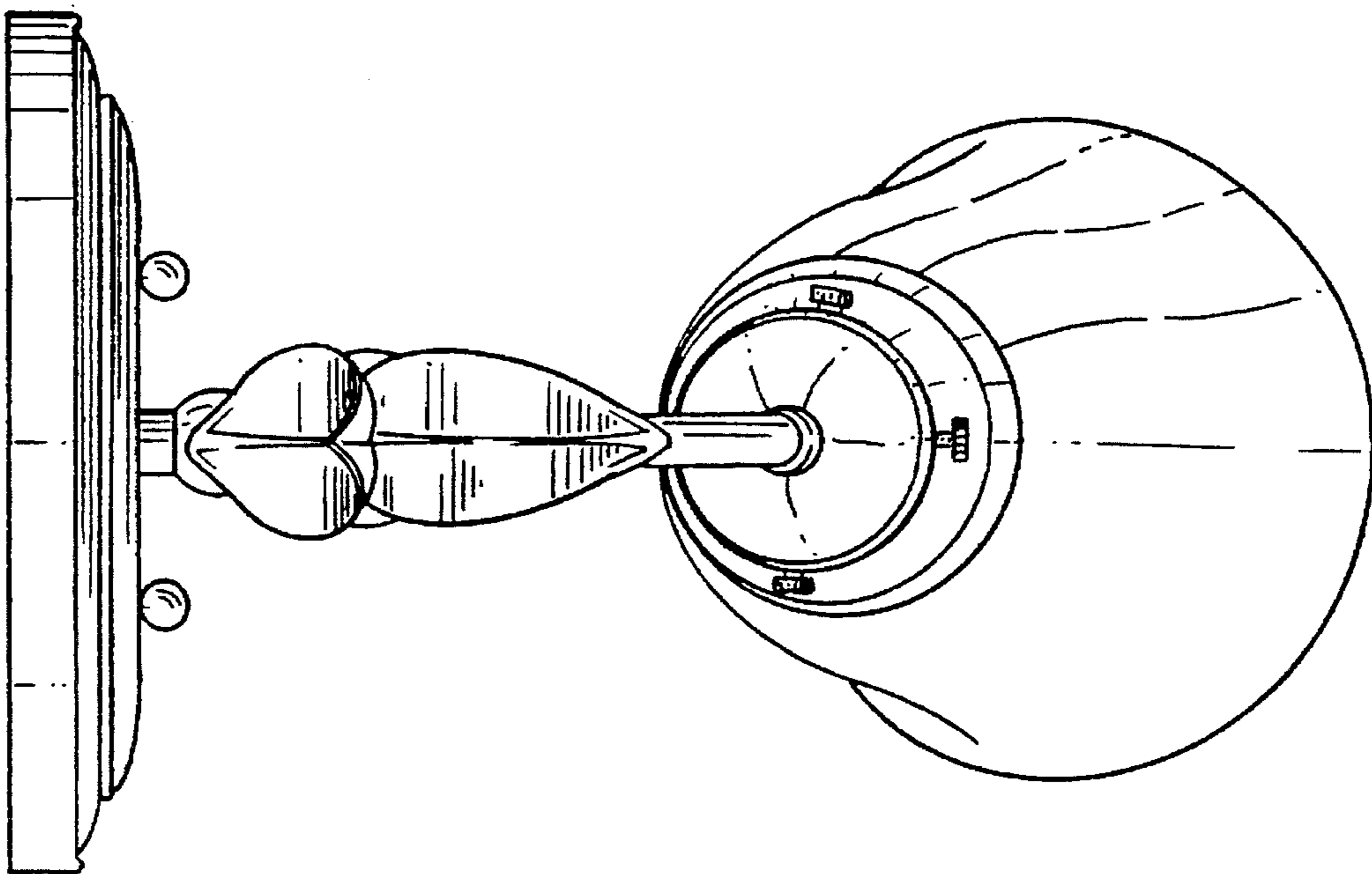


FIG. 4

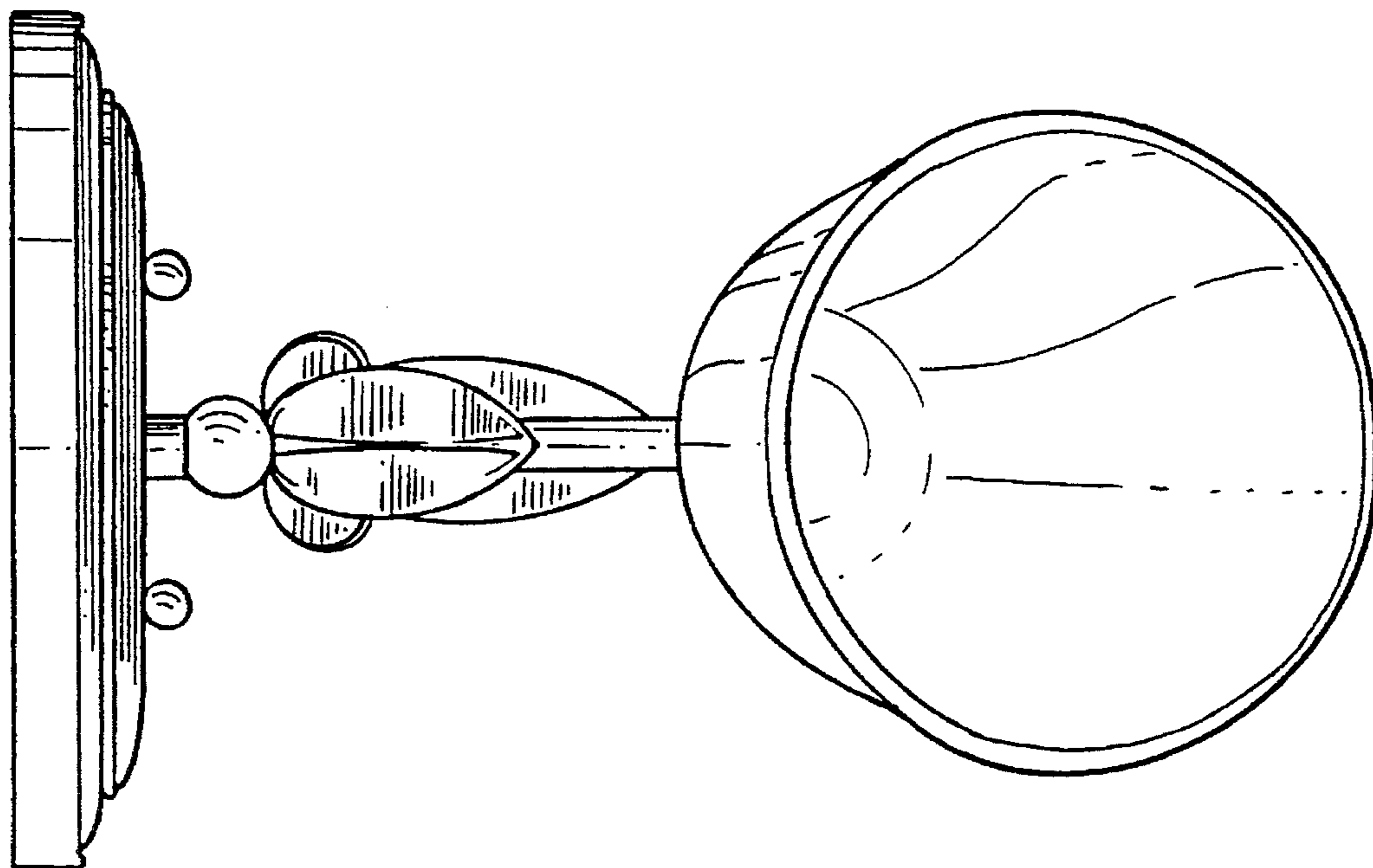


FIG. 5

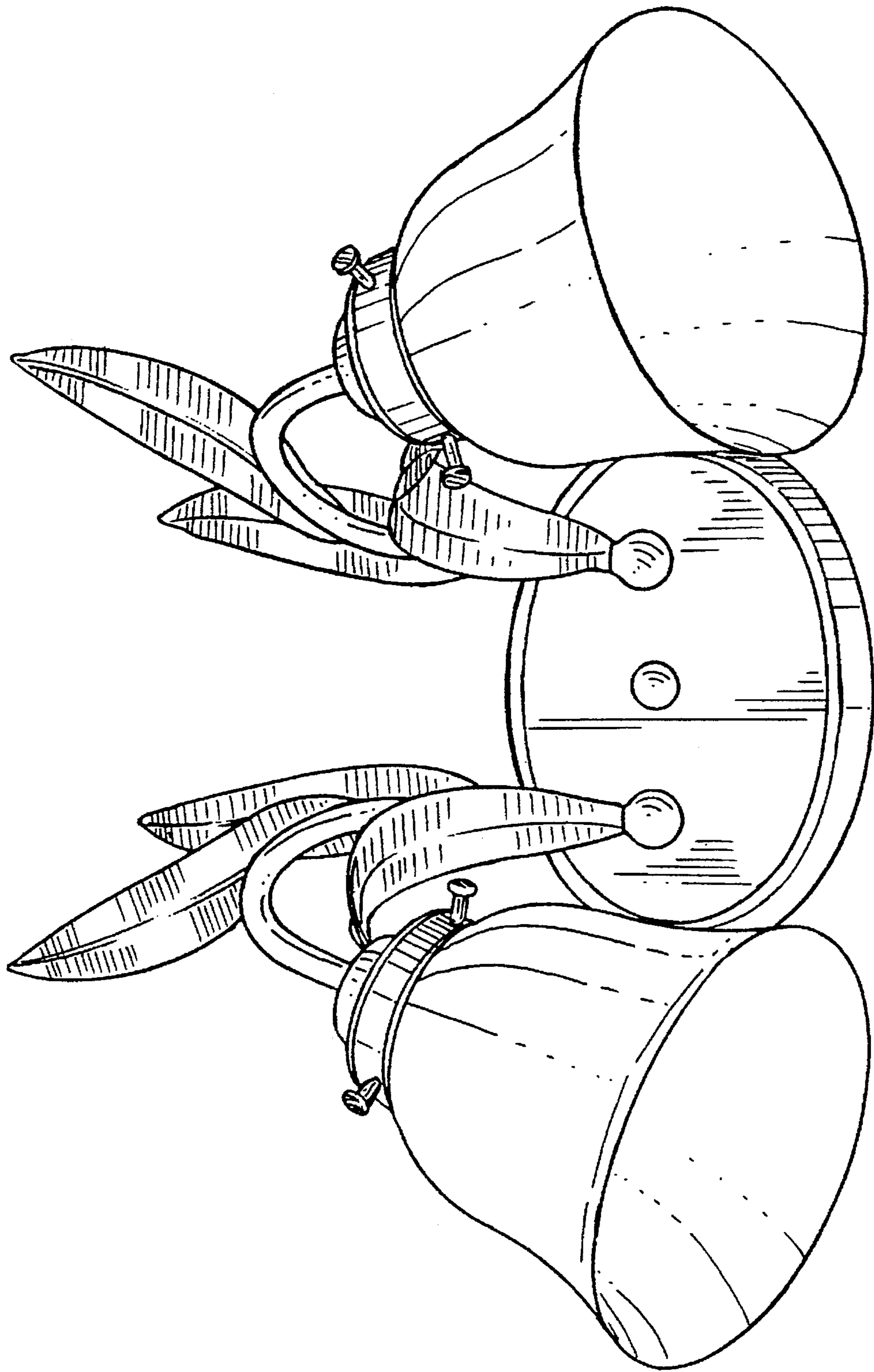


FIG. 6

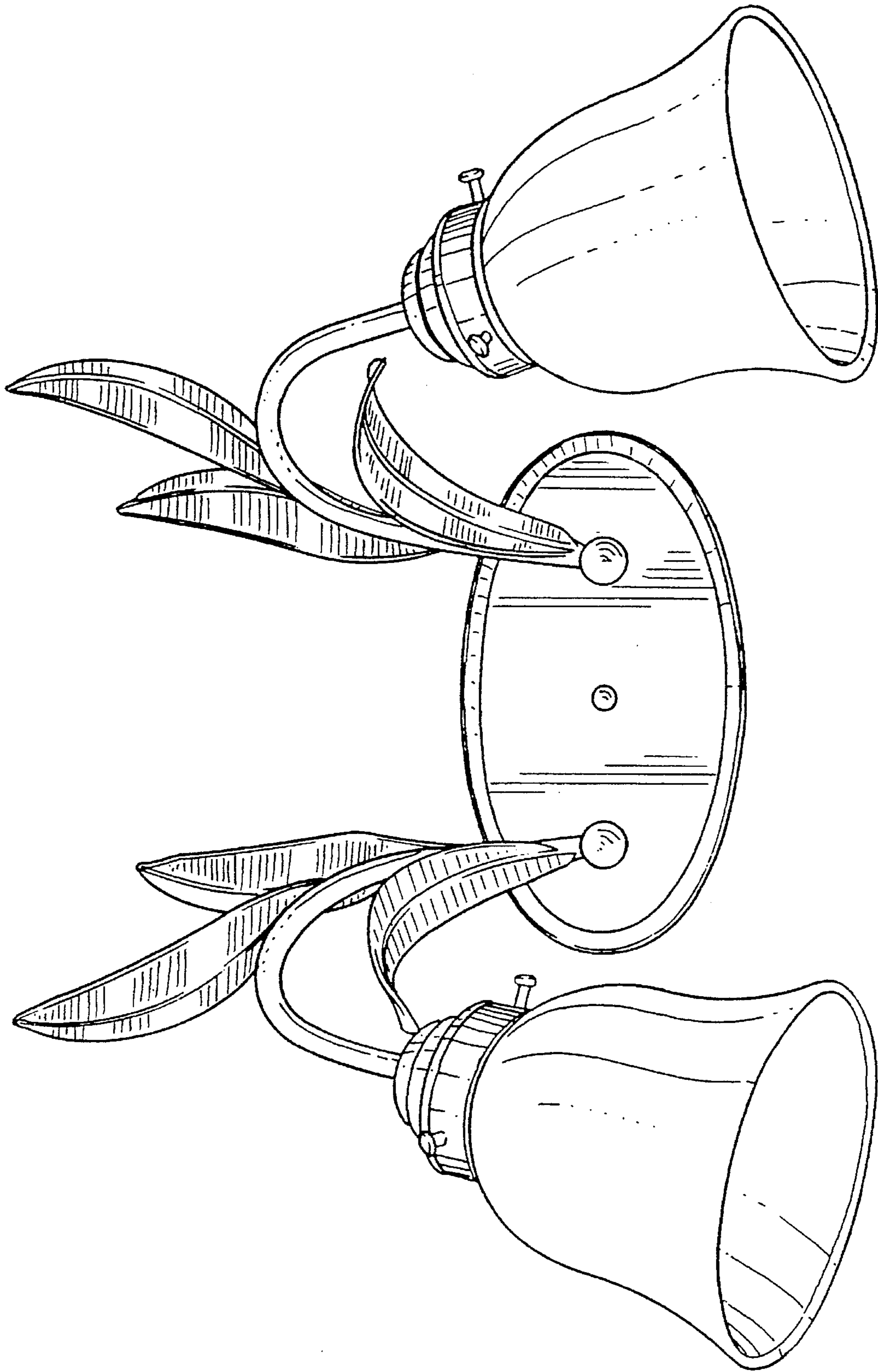


FIG. 7

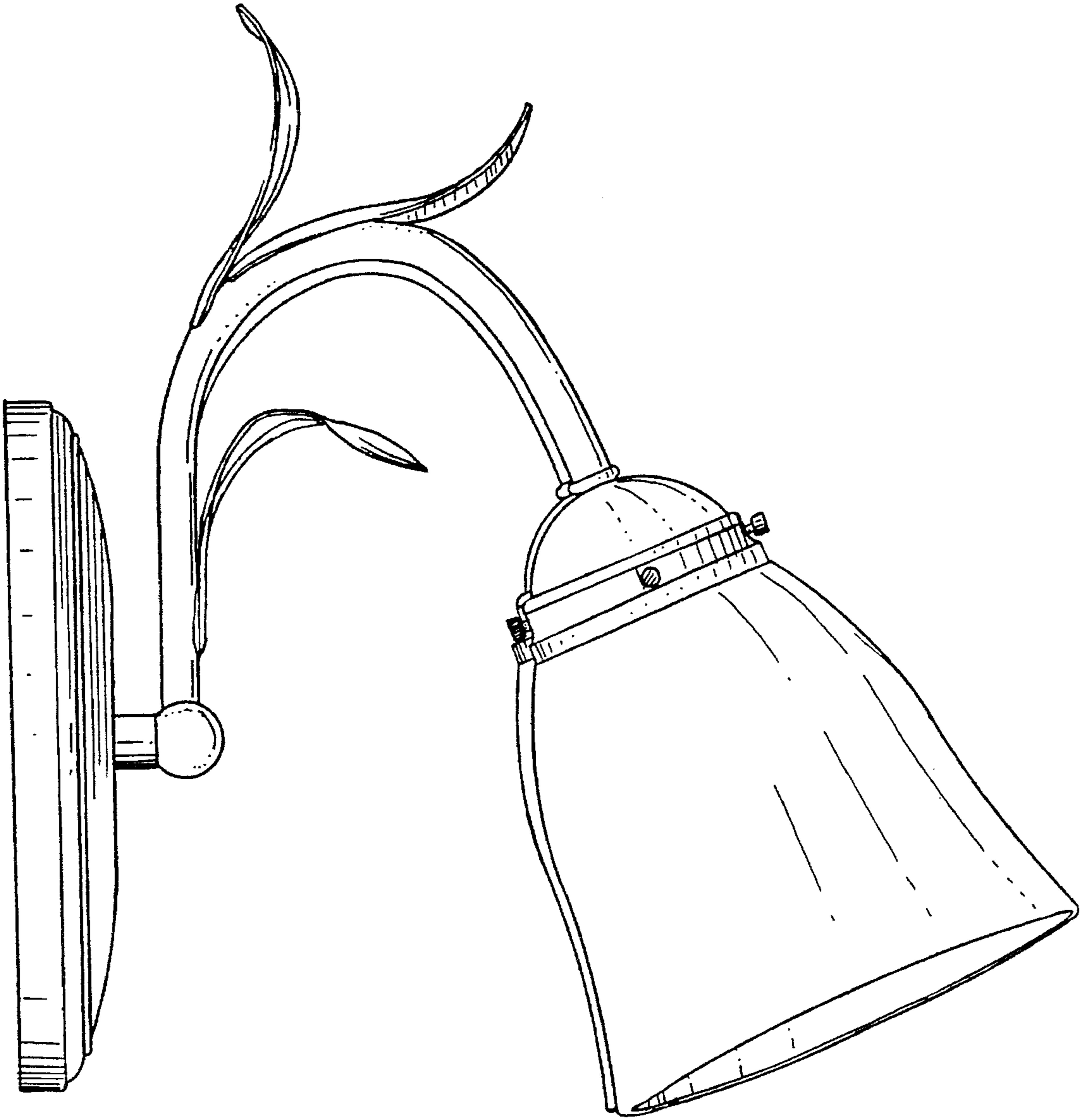


FIG. 8

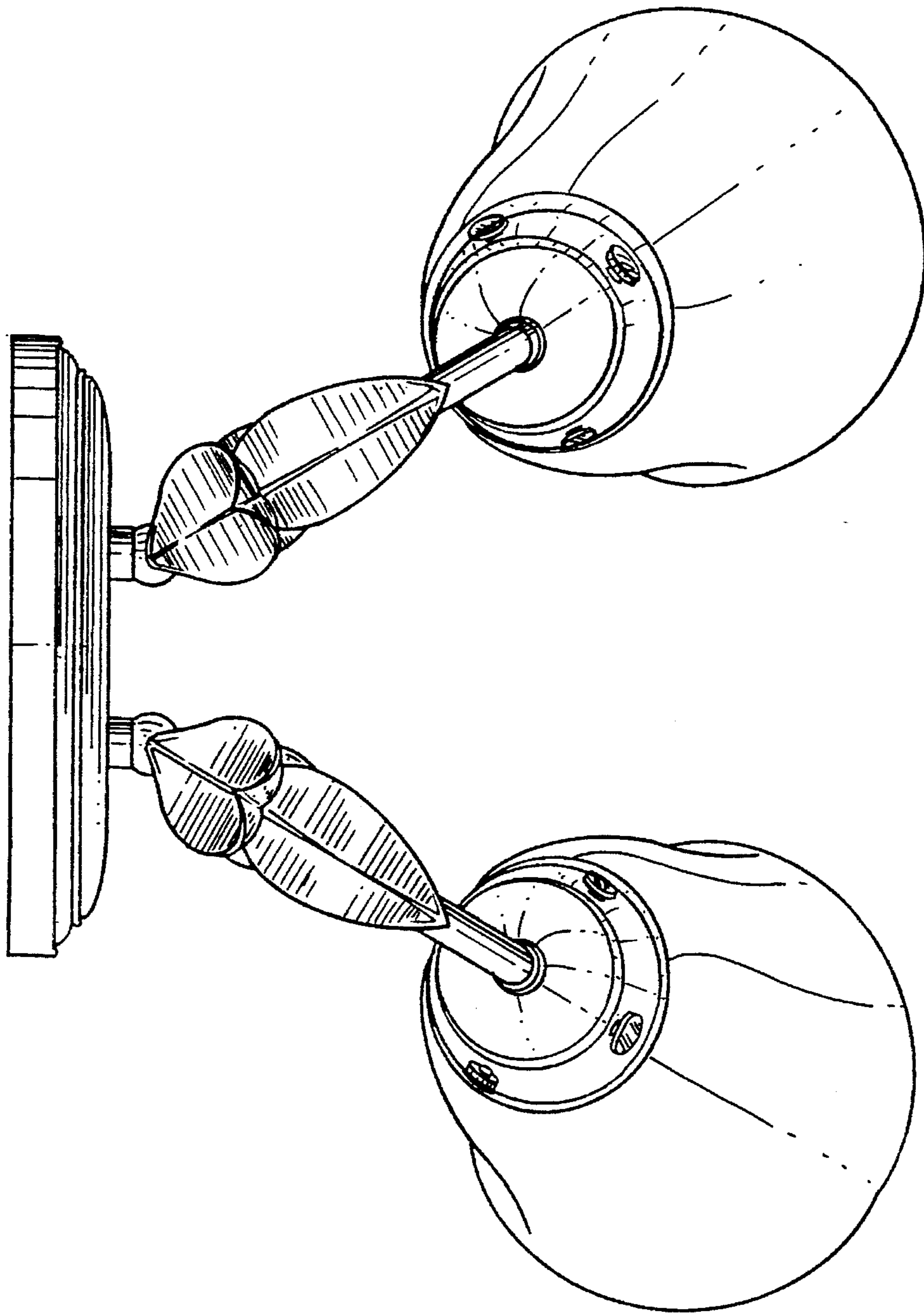


FIG. 9

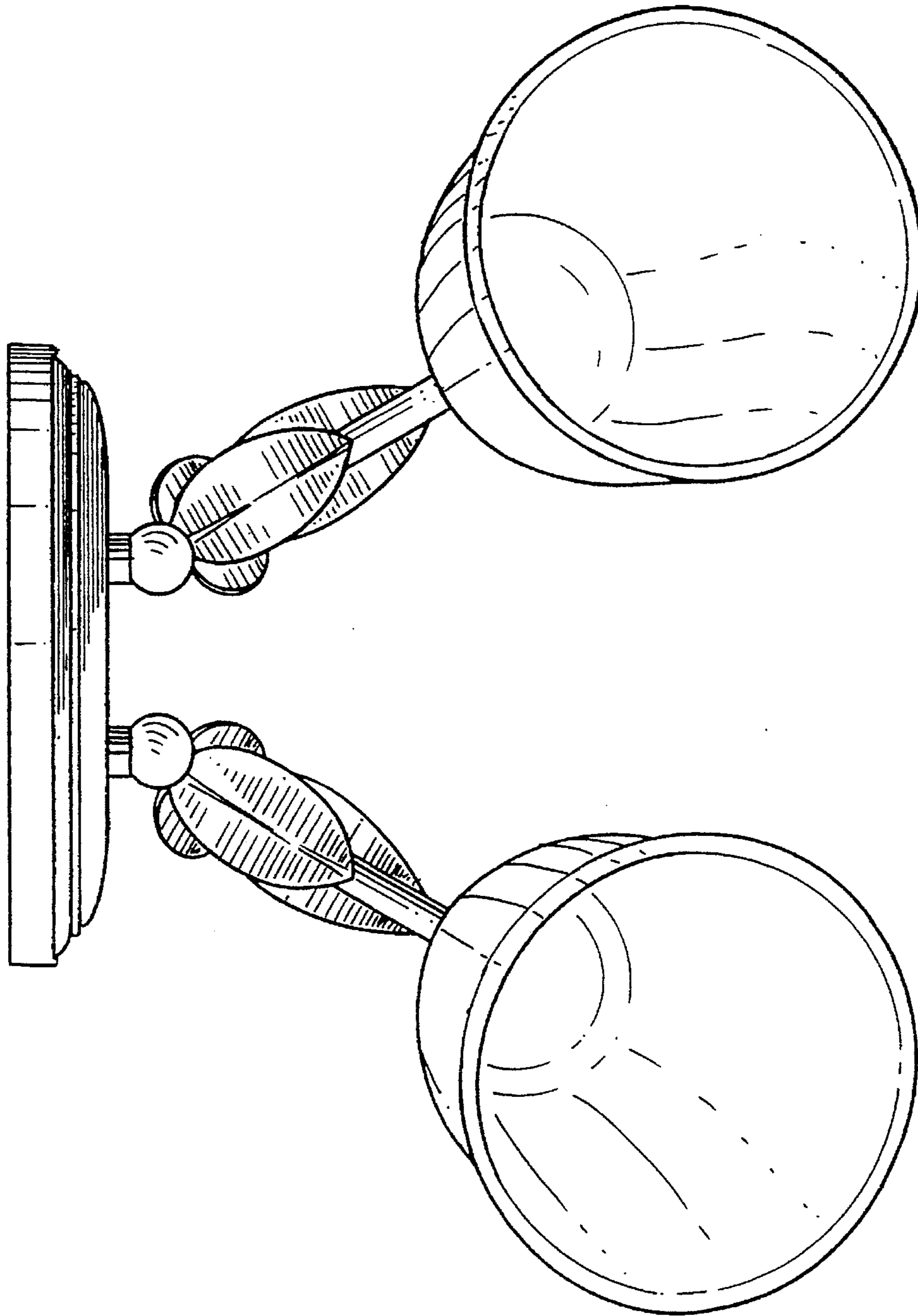


FIG. 10

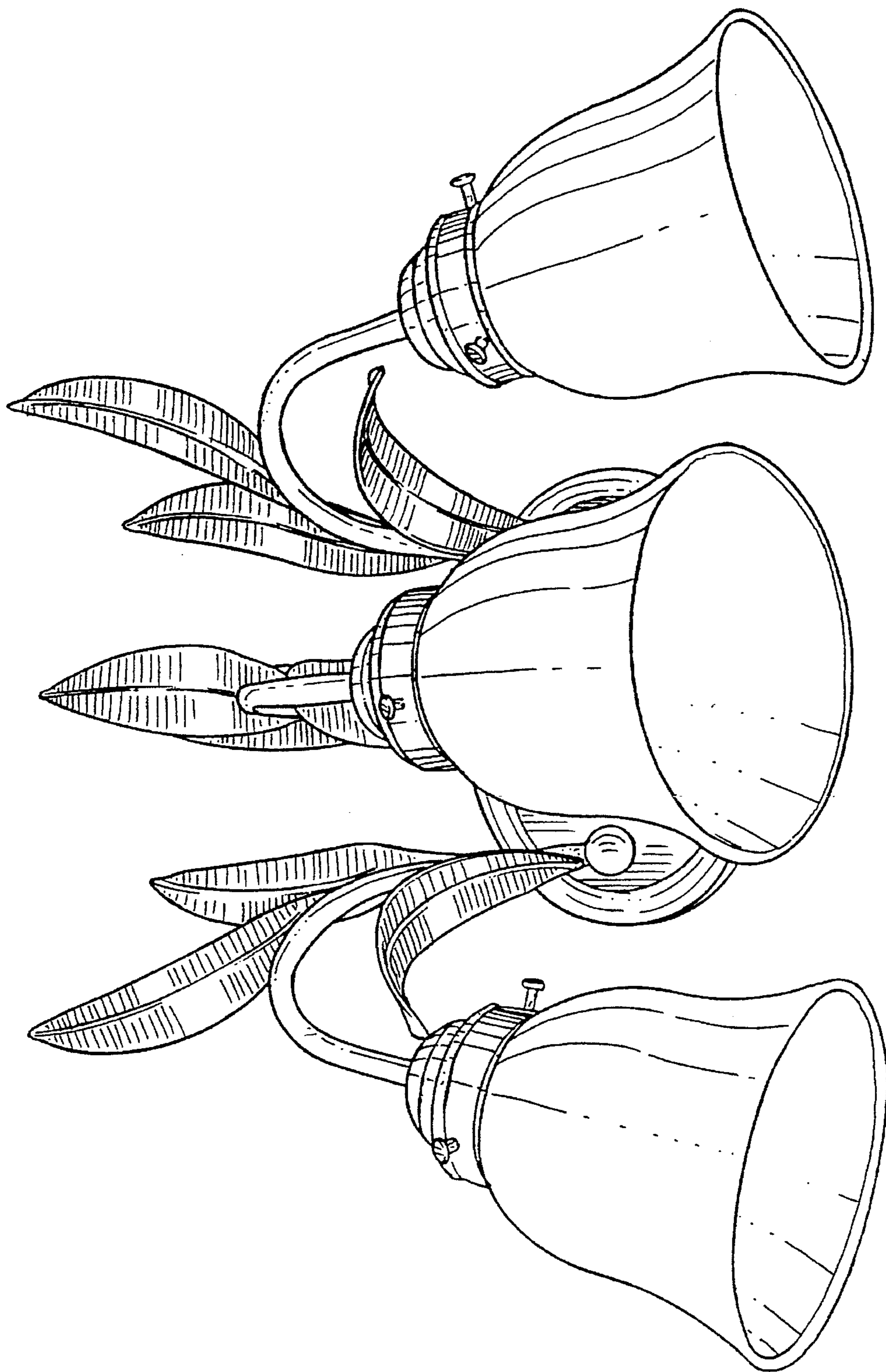


FIG. II

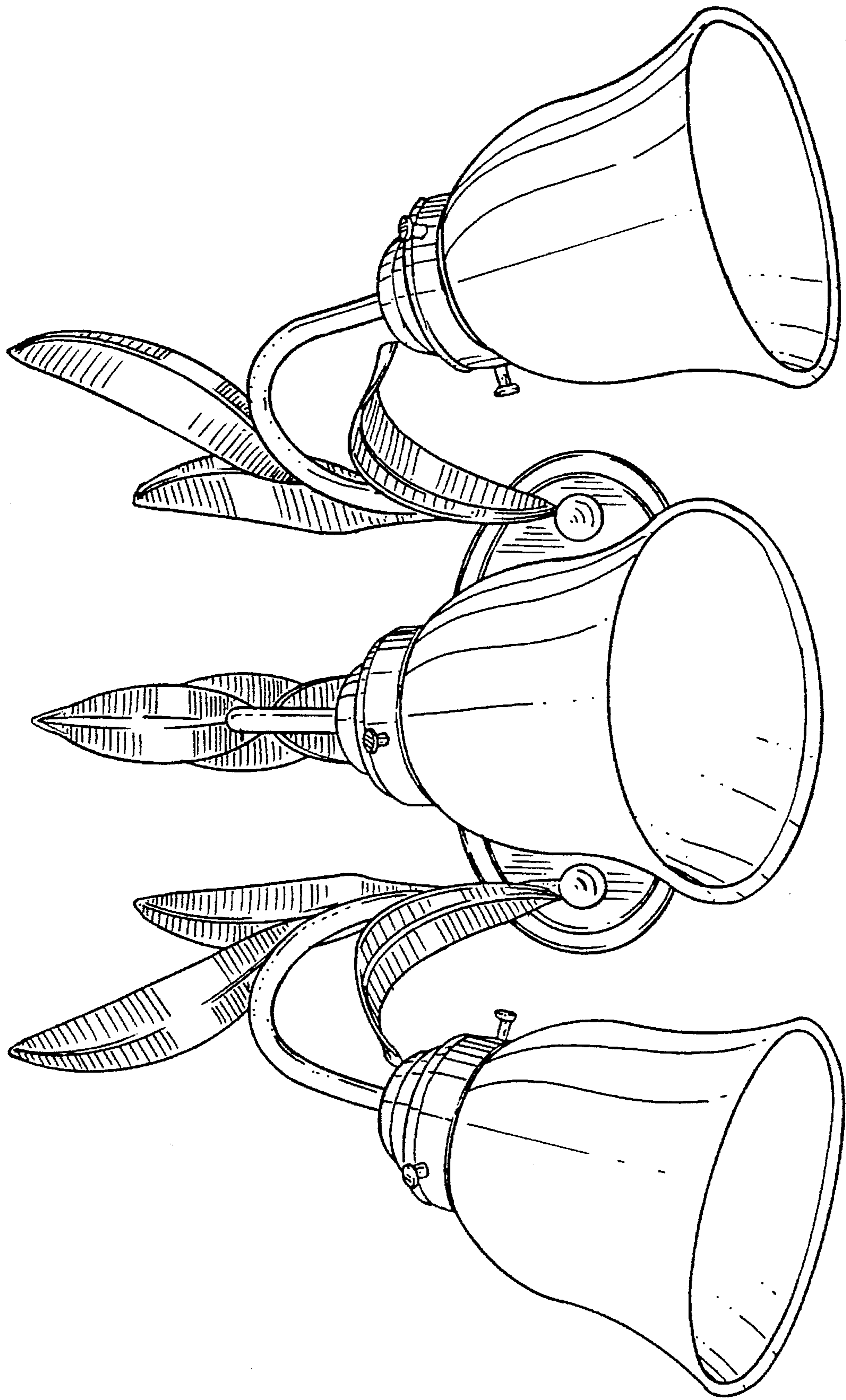


FIG. 12

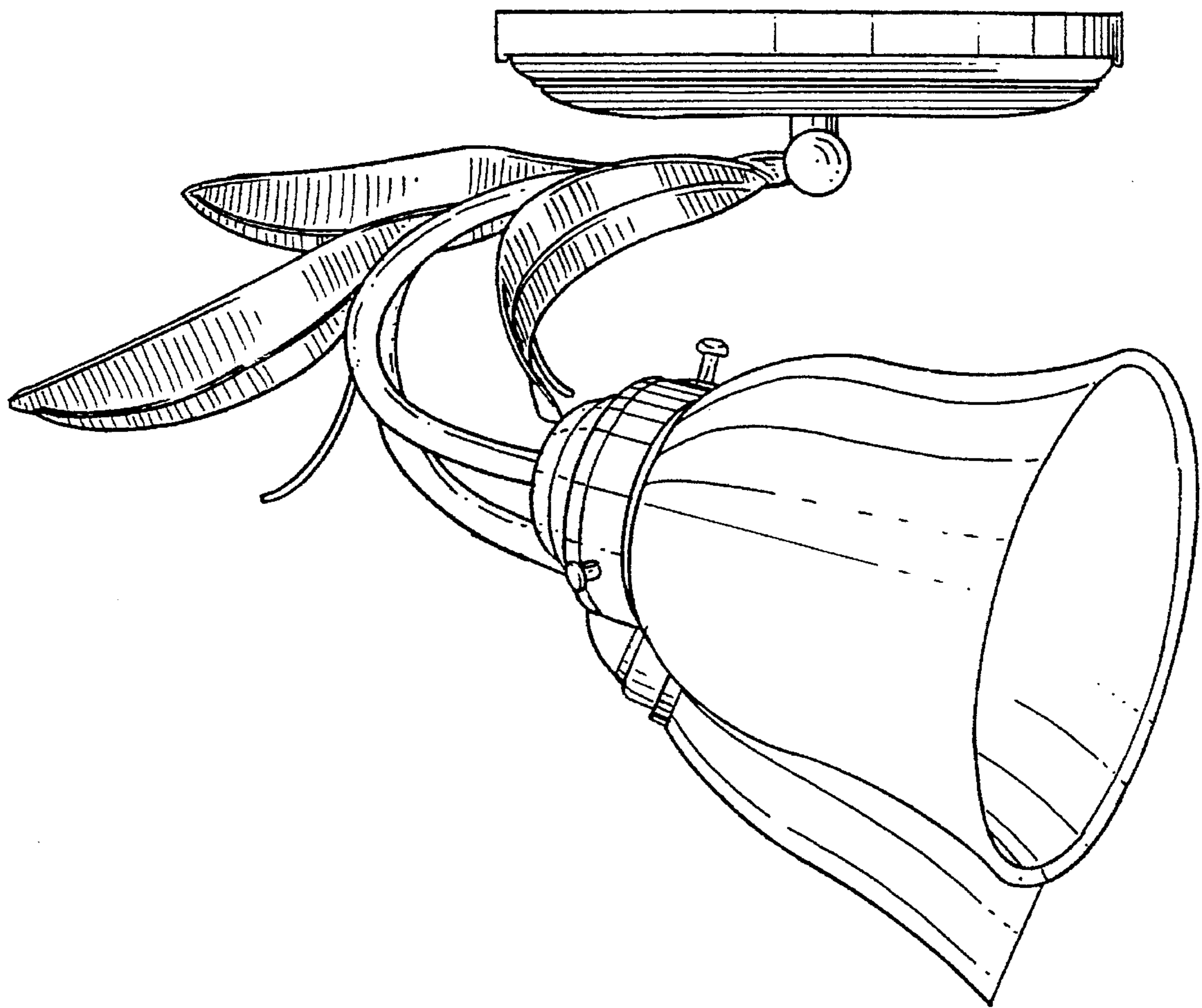


FIG. 13

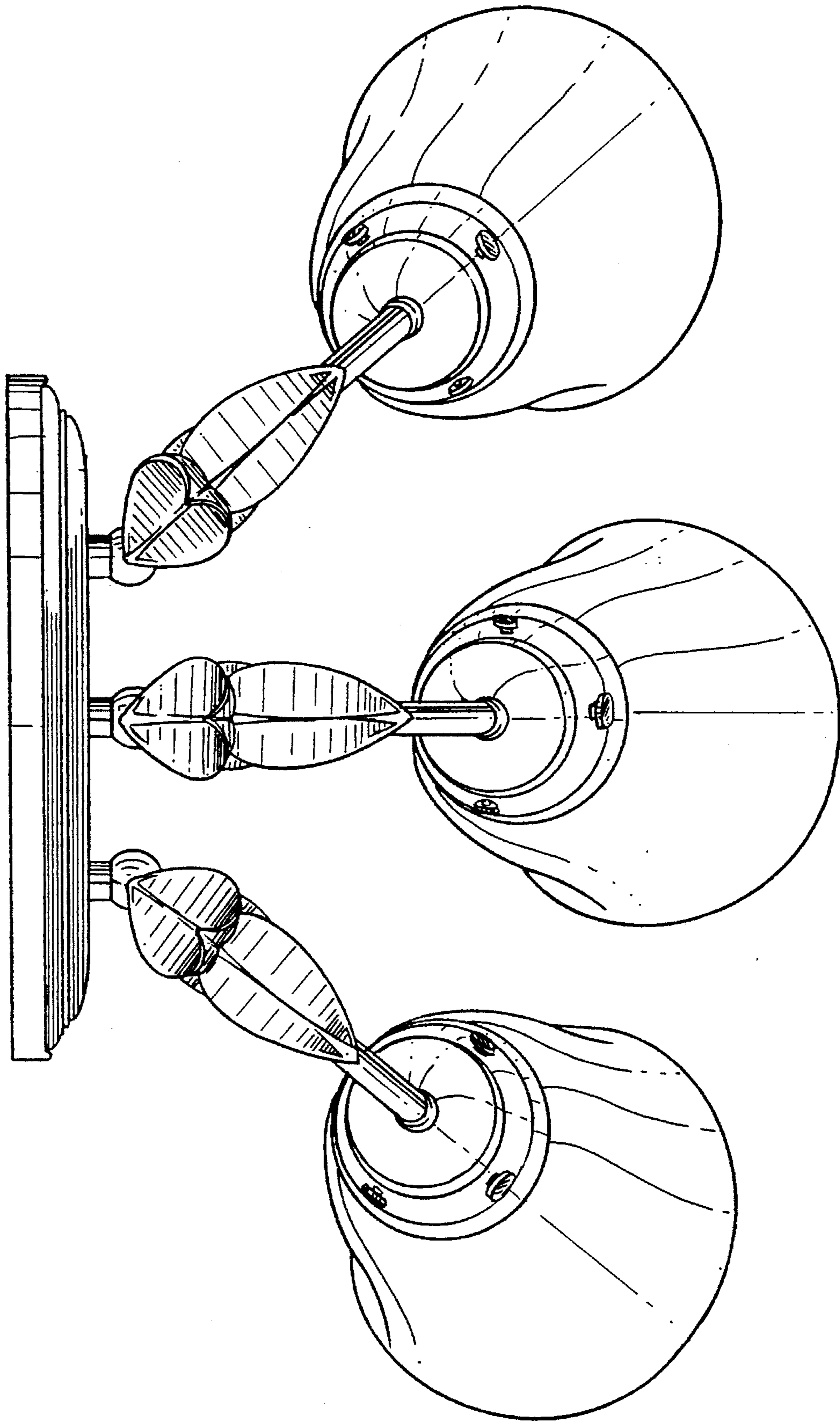


FIG. 14

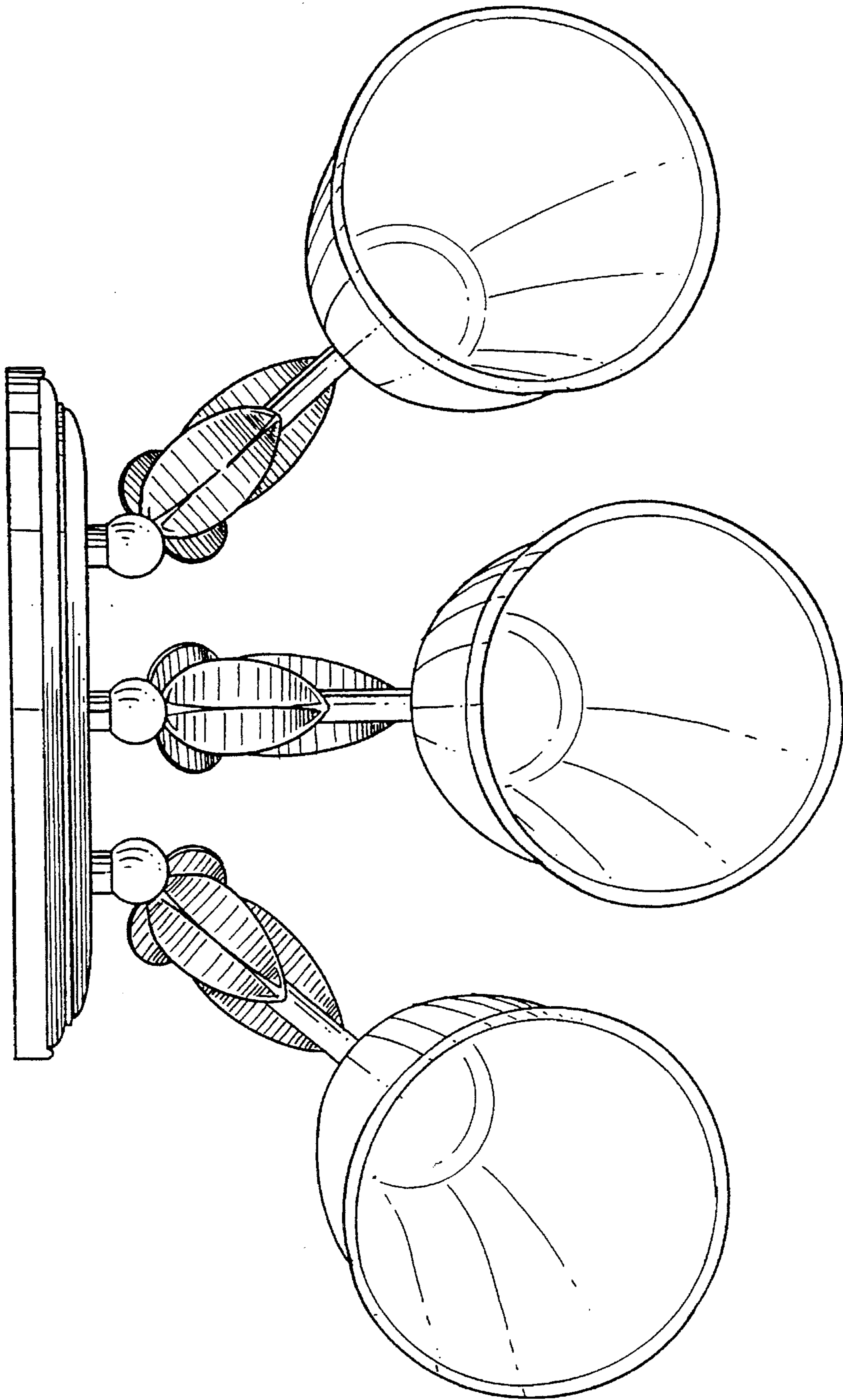


FIG. 15