



US00D377395S

United States Patent [19]

Vyvoda

[11] Patent Number: **Des. 377,395**

[45] Date of Patent: ****Jan. 14, 1997**

[54] **MODULAR WROUGHT IRON GRID**

[76] Inventor: **Frank Vyvoda**, P.O. Box 23071,
Honolulu, Hi. 96823-3071

[**] Term: **14 Years**

[21] Appl. No.: **42,940**

[22] Filed: **Aug. 21, 1995**

[52] U.S. Cl. **D25/38; D25/44**

[58] Field of Search **D25/38-45; 52/182,
52/184; 256/21, 22, 59, 65, 68, 69**

[56] **References Cited**

U.S. PATENT DOCUMENTS

D. 214,782	7/1969	Thom	D25/44
1,225,431	5/1917	Gelbart	256/65
1,376,150	4/1921	Miller	256/22
3,420,504	1/1969	Mulitz	256/22
3,484,827	12/1969	Hall	256/59
4,074,893	2/1978	Coltrin	256/21
4,809,955	3/1989	Veilleux	256/65
4,892,292	1/1990	Russell	256/66
4,952,092	8/1990	Ballerstein	403/174
5,150,885	9/1992	Leone	256/22

5,192,054	3/1993	Sharp	256/24
5,193,786	3/1993	Guenther	256/69
5,238,321	8/1993	Jarjoura	403/172

Primary Examiner—Ted Shooman
Assistant Examiner—Adir Aronovich
Attorney, Agent, or Firm—Richard C. Litman

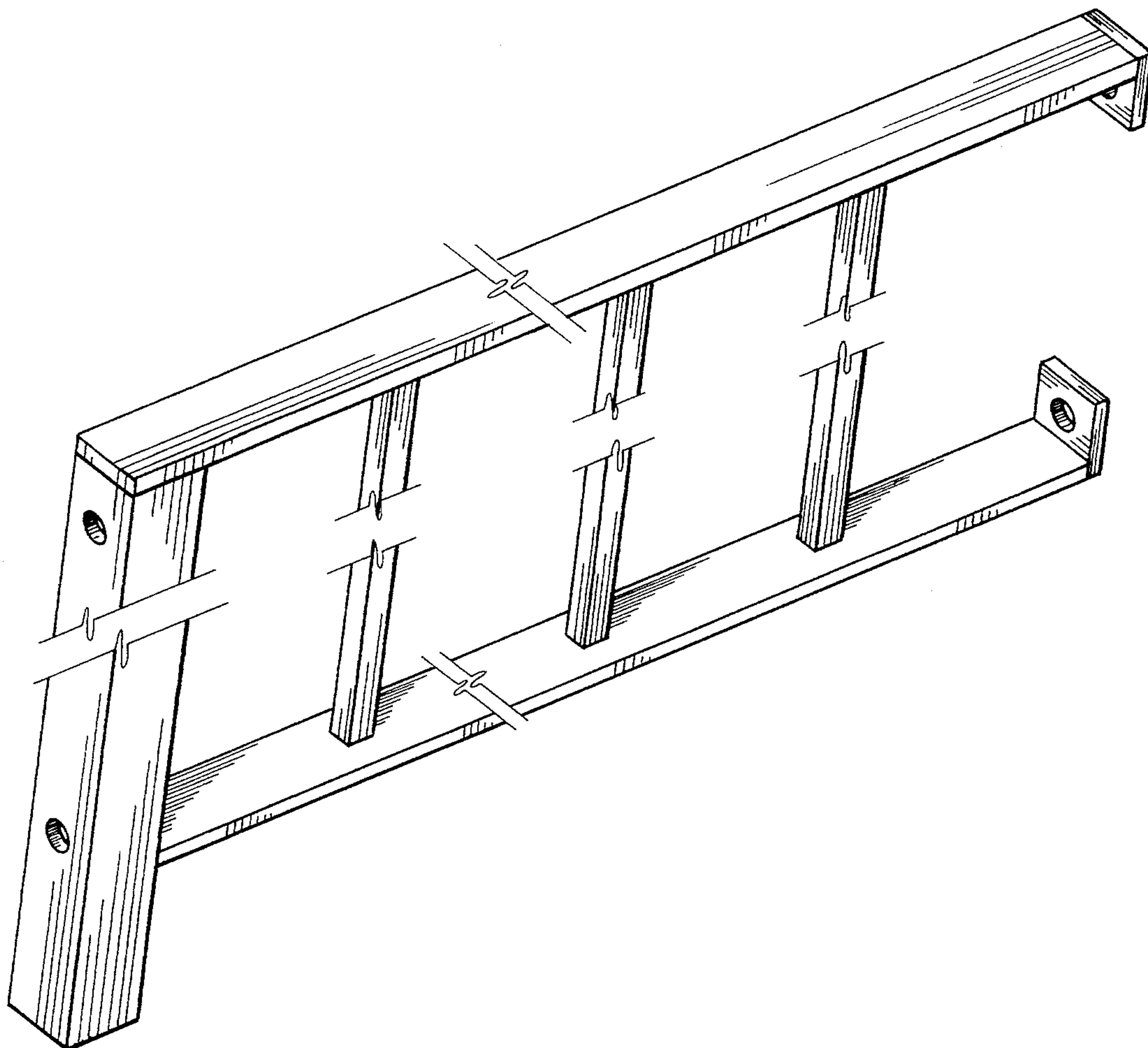
[57] **CLAIM**

The ornamental design for a modular wrought iron grid, as shown and described.

DESCRIPTION

FIG. 1 is a perspective view of a modular wrought iron grid showing my new design;
FIG. 2 is a front elevational view with the rear side being a mirror image thereof;
FIG. 3 is a left side elevational view thereof;
FIG. 4 is a right side elevational view thereof;
FIG. 5 is a top view thereof; and,
FIG. 6 is a bottom view thereof.
The broken lines in each of the Figures are intended to indicate indefinite length.

1 Claim, 3 Drawing Sheets



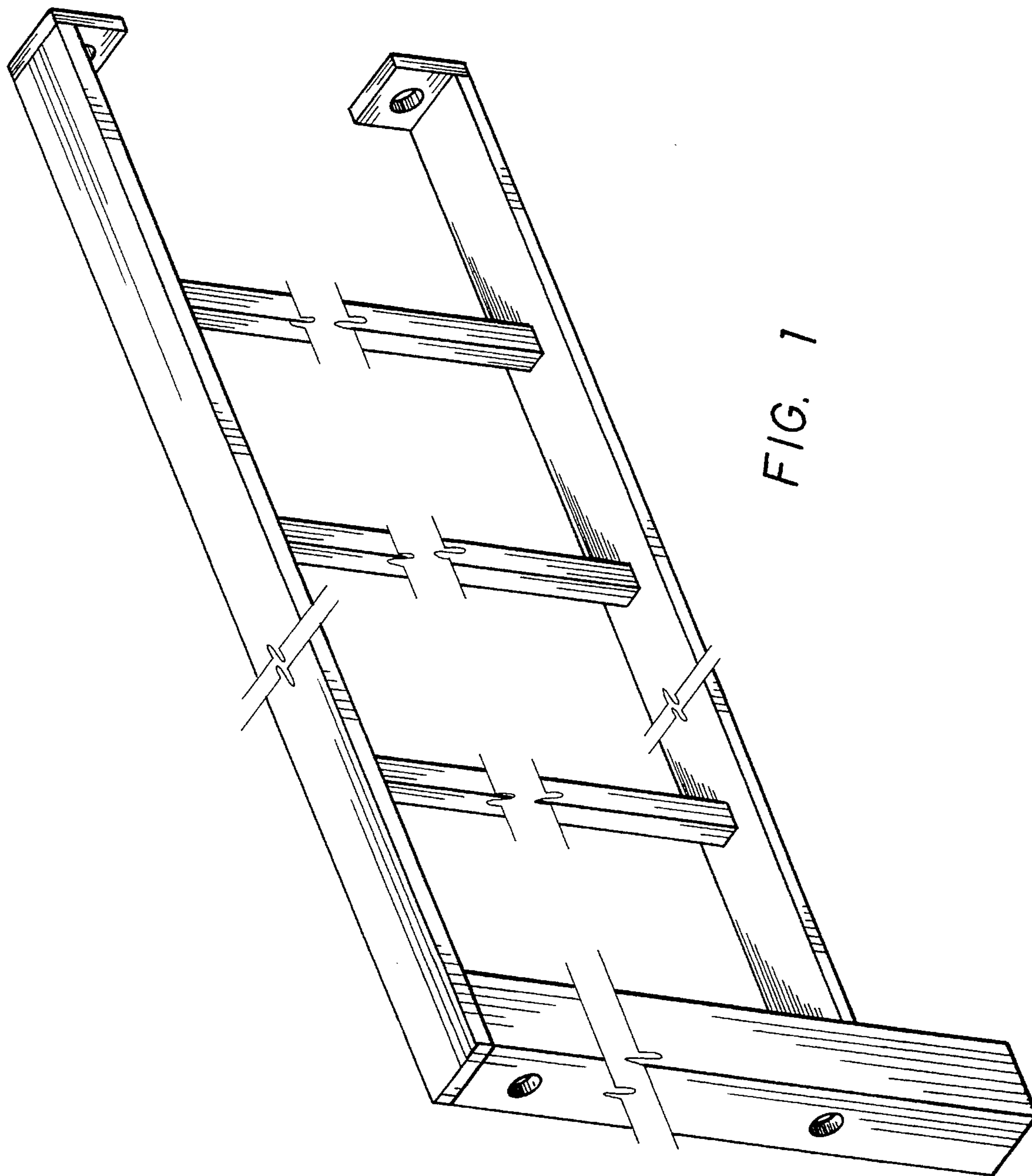
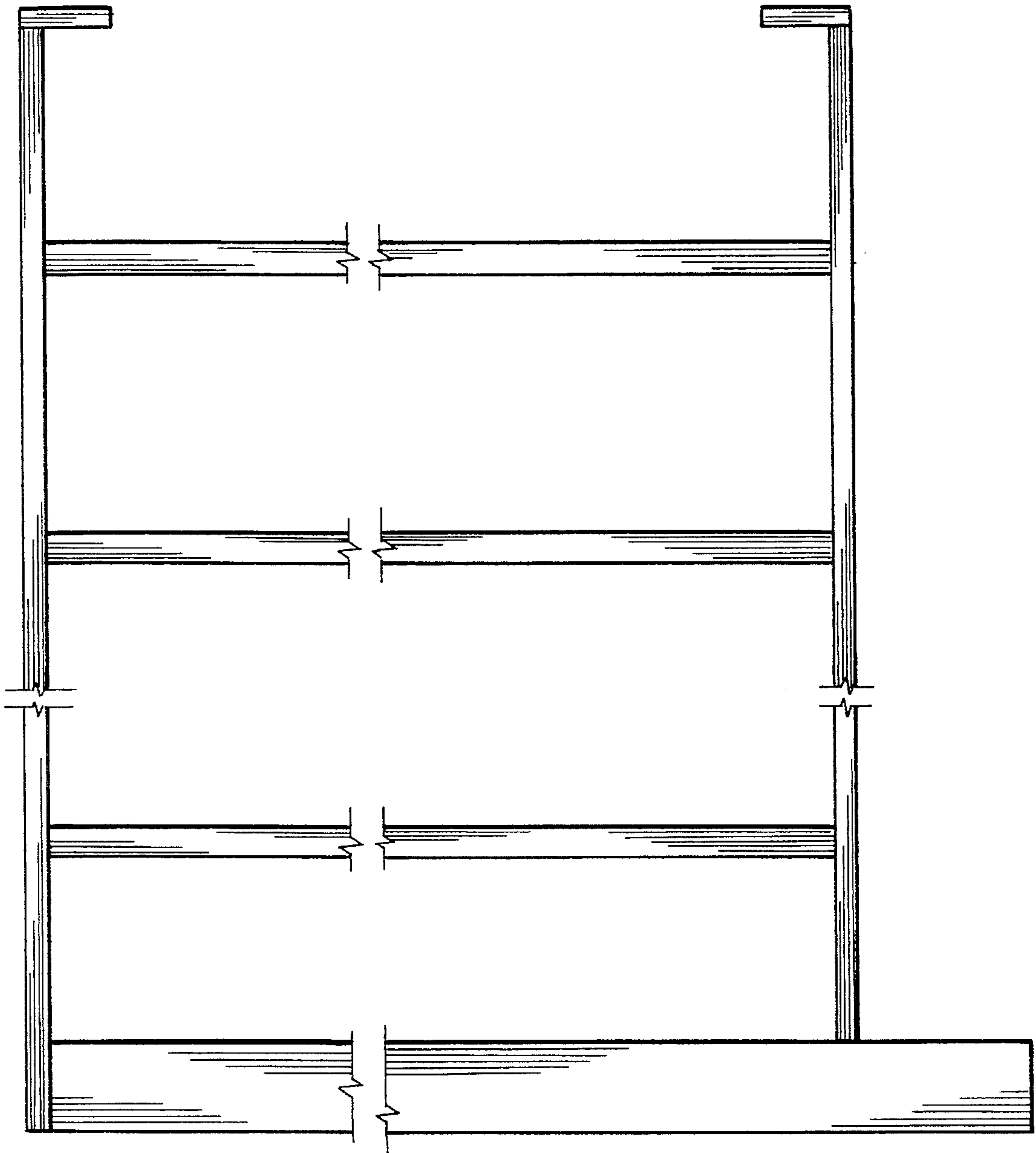


FIG. 1

FIG. 2



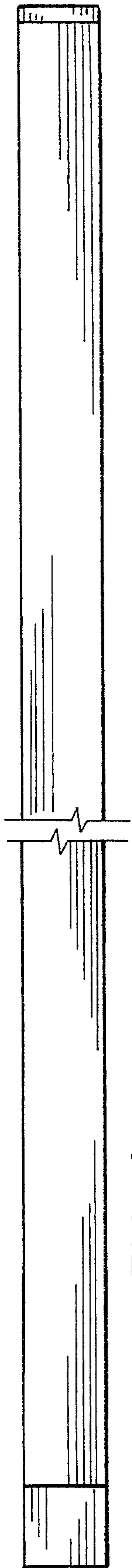


FIG. 6

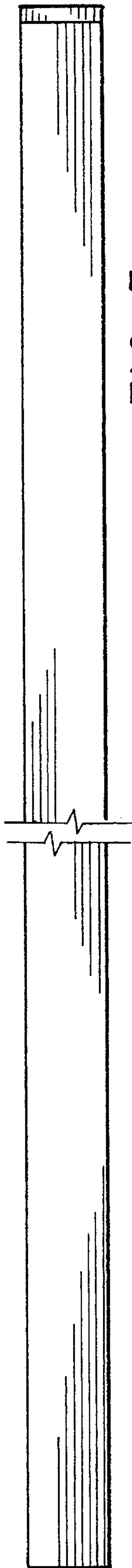


FIG. 5

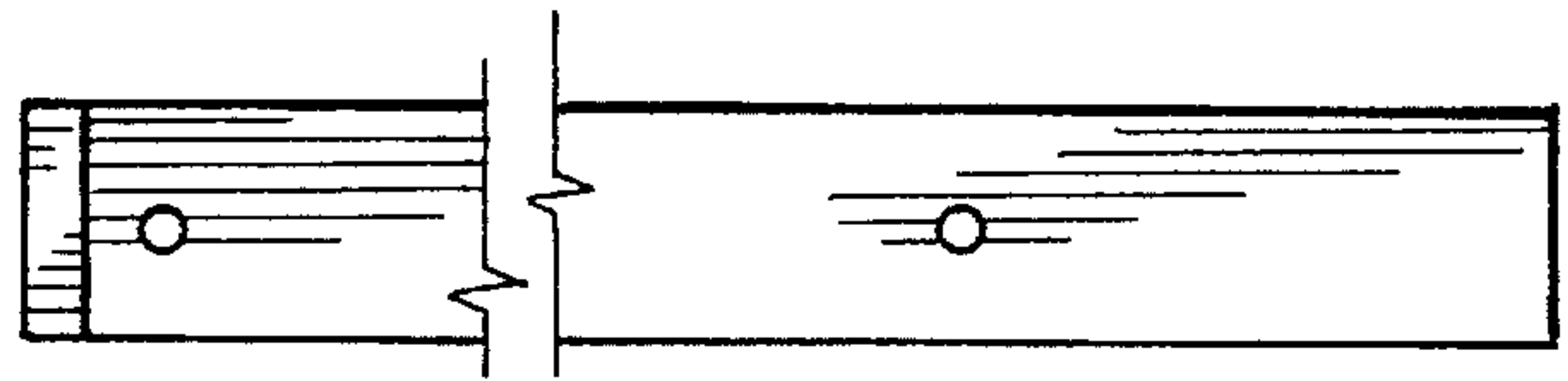


FIG. 3

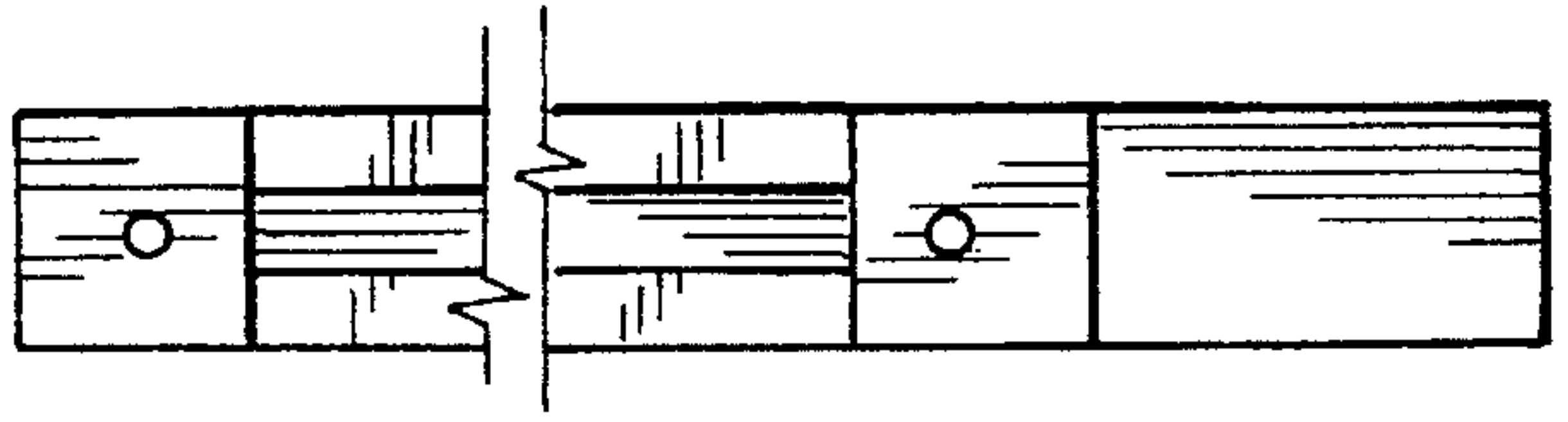


FIG. 4