



US00D377394S

United States Patent [19]

[11] Patent Number: **Des. 377,394**

Tillman et al.

[45] Date of Patent: ****Jan. 14, 1997**

[54] **COMBINED MASSAGING APPLIANCE AND CREAM DISPENSER UNIT**

3,968,789 7/1976 Simoncini 601/112 X
4,757,806 7/1988 Muchisky et al. 601/87 X

[75] Inventors: **Menahem Tillman, Hofit; Daphne Topaz; Avraham Topaz**, both of Even Yehuda, all of Israel

Primary Examiner—Stella Reid
Attorney, Agent, or Firm—Benjamin J. Barish; Sol Sheinbein

[73] Assignee: **T. Top (1994) Ltd.**, Netanya, Israel

[57] **CLAIM**

[**] Term: **14 Years**

The ornamental design of a combined massaging appliance and cream dispenser unit, as shown.

[21] Appl. No.: **51,315**

DESCRIPTION

[22] Filed: **Dec. 22, 1995**

[52] U.S. Cl. **D24/215**

[58] Field of Search D24/214, 215,
D24/200; 601/112, 114, 84, 94-96

FIG. 1 is a perspective view of a combined massaging appliance and cream dispenser unit showing our new design; FIG. 2 is a side elevational view thereof; FIG. 3 is a top plan view thereof; FIG. 4 is a bottom plan view thereof; FIG. 5 is an end view thereof; and, FIG. 6 is an end view thereof opposite to the end of FIG. 5.

[56] **References Cited**

U.S. PATENT DOCUMENTS

D. 323,034 1/1992 Reinstein D24/214 X

1 Claim, 3 Drawing Sheets

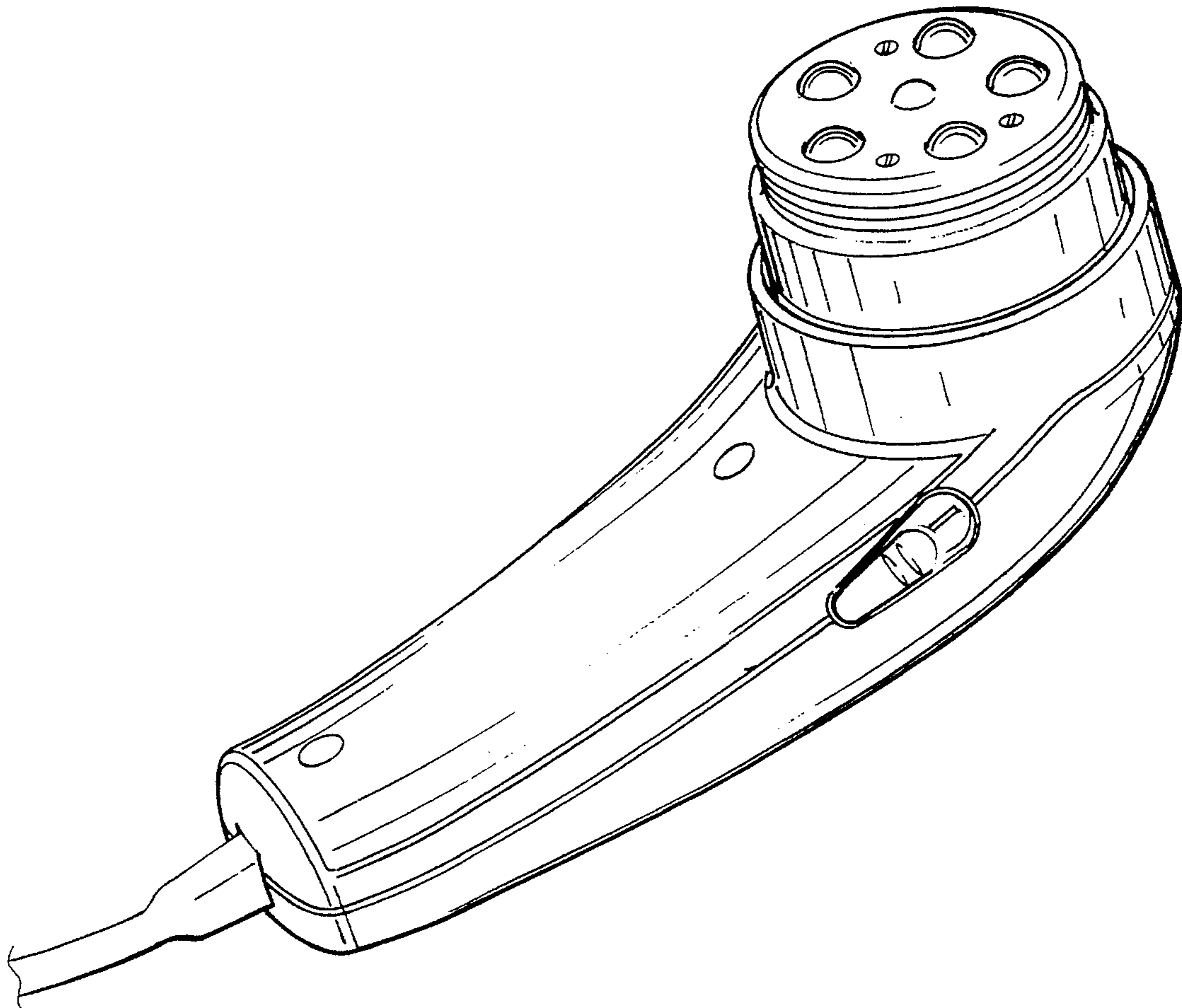


FIG. 1

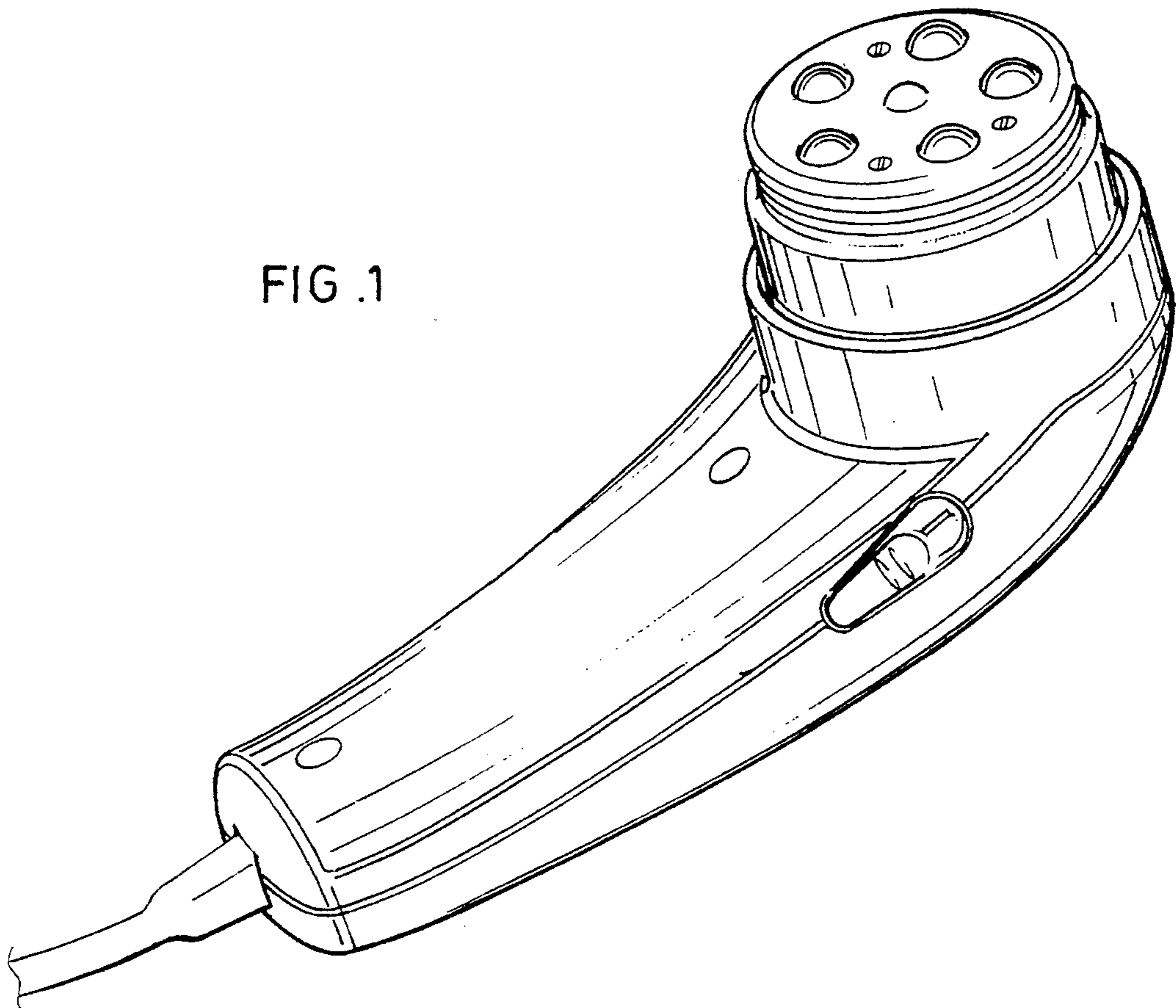
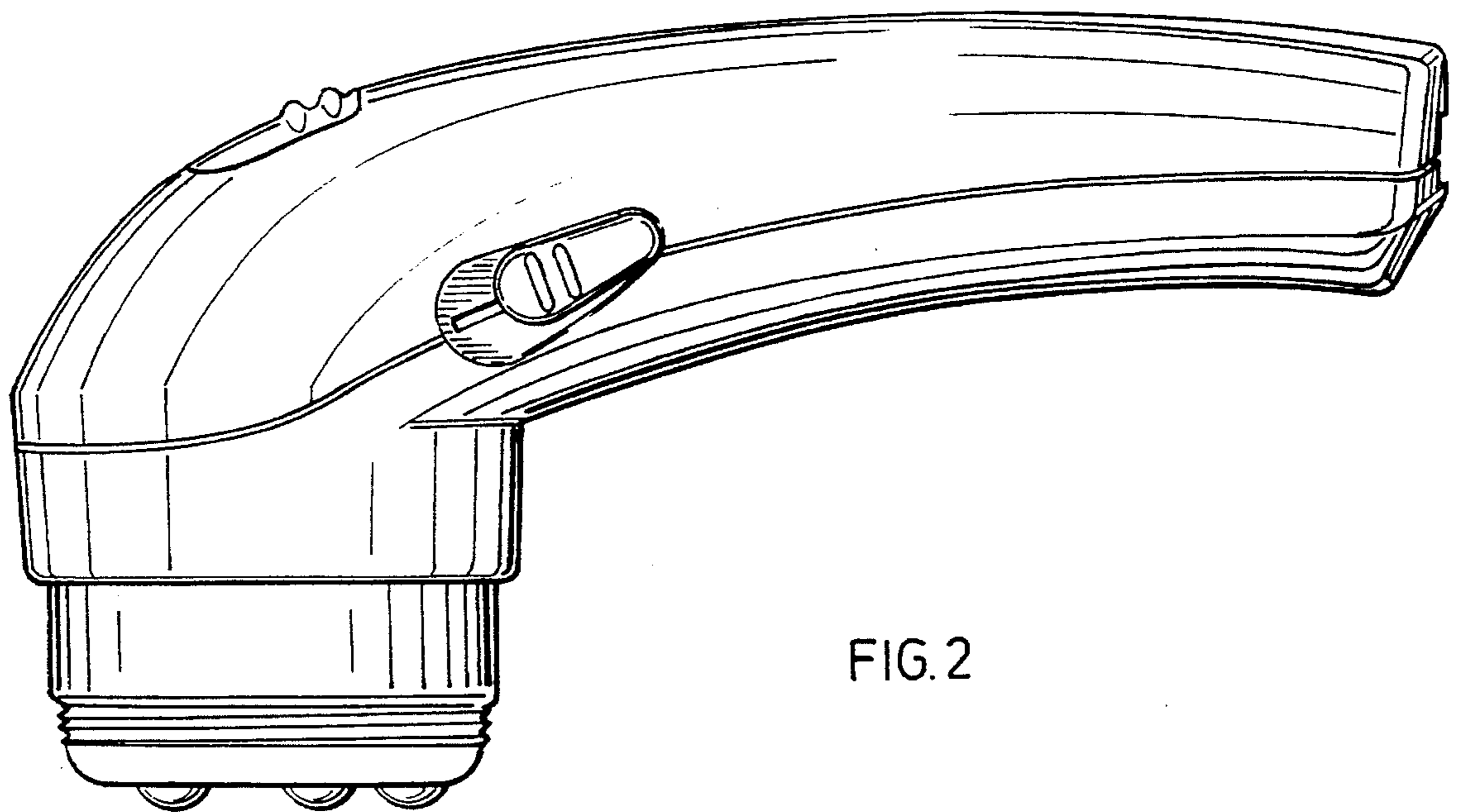


FIG. 2



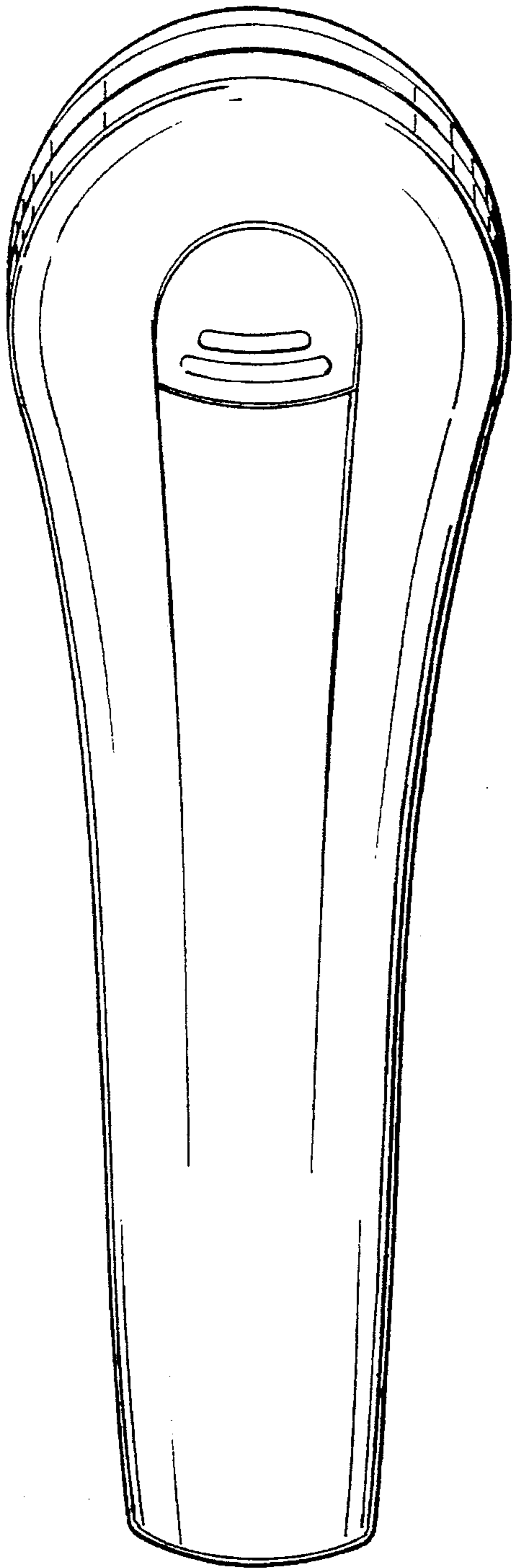


FIG 3

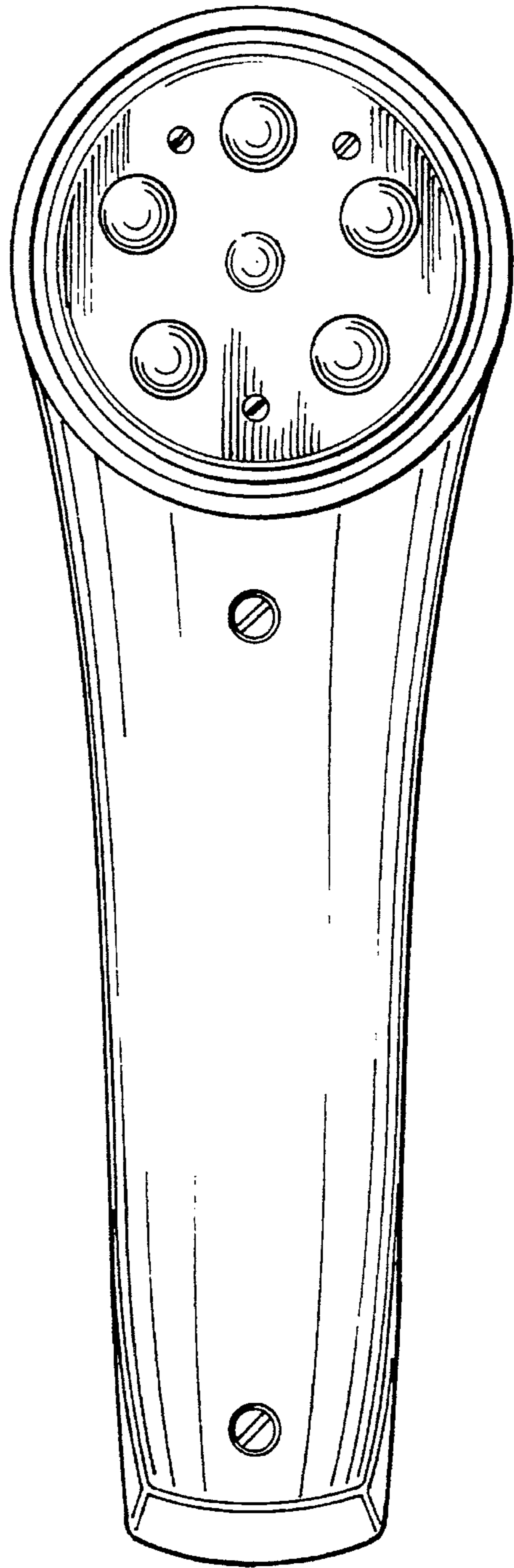


FIG.4

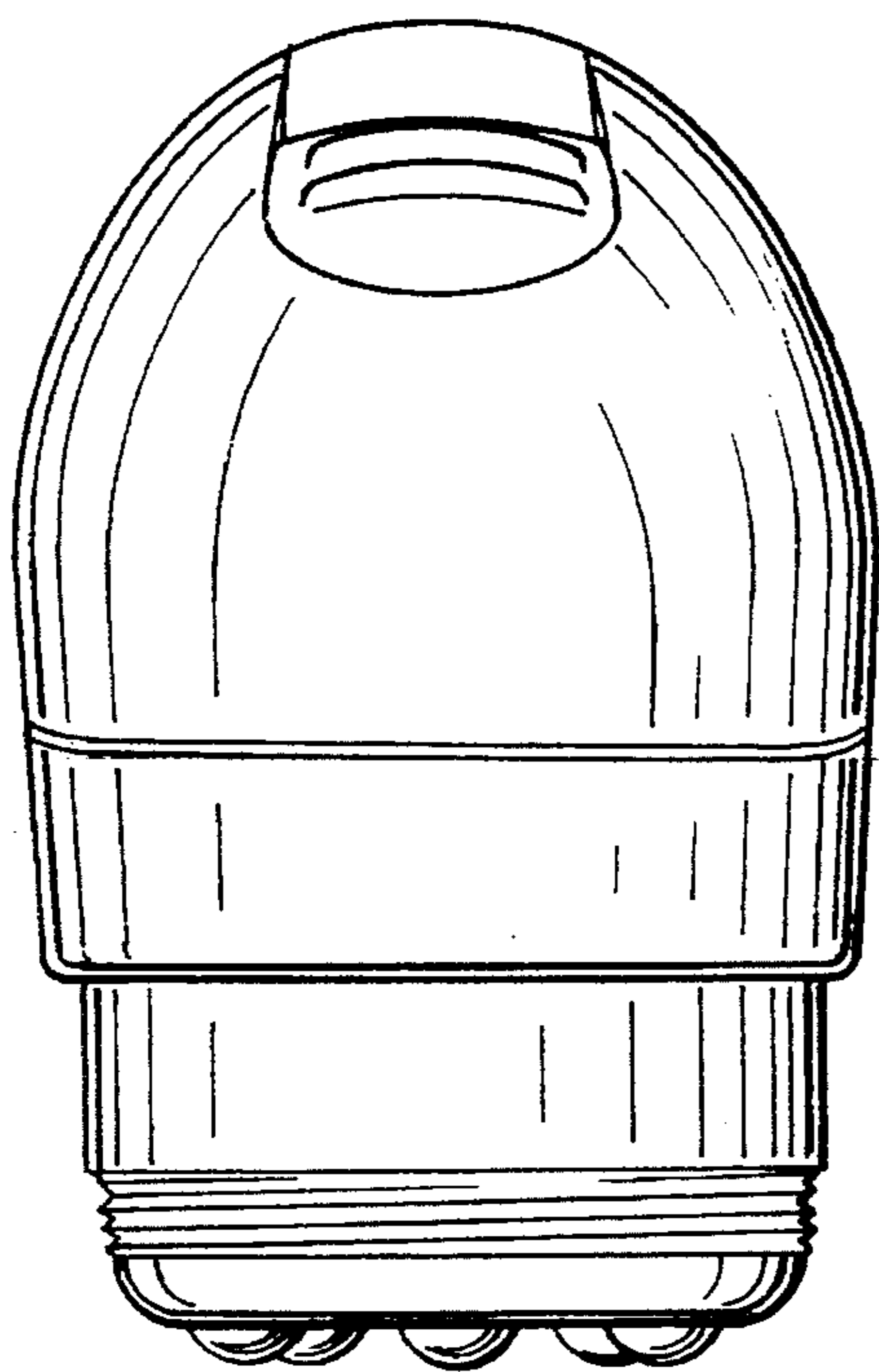


FIG. 5

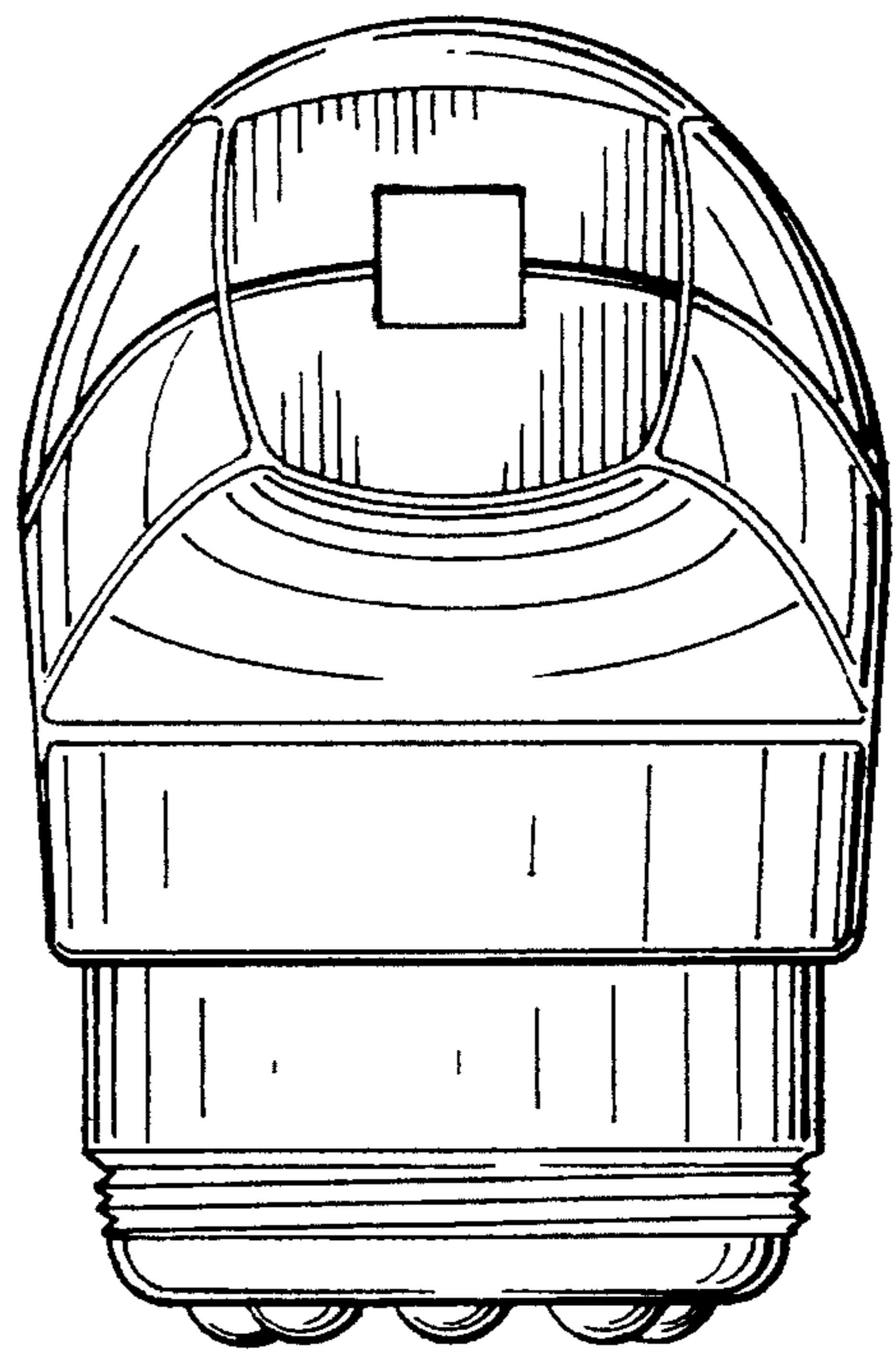


FIG. 6