



US00D377391S

United States Patent [19]

[11] Patent Number: **Des. 377,391**

Whitehurst, Sr.

[45] Date of Patent: ****Jan. 14, 1997**

[54] **PELLET HOPPER FOR A PELLET-BURNING GRILL**

[76] Inventor: **Richard E. Whitehurst, Sr.**, 1677 N. Gardner Rd., Prineville, Oreg. 97754

[**] Term: **14 Years**

[21] Appl. No.: **39,431**

[22] Filed: **May 30, 1995**

[52] U.S. Cl. **D23/329**

[58] Field of Search D23/329, 398, D23/343, 344, 346, 400; 110/102, 108; 126/10, 68, 73

5,144,939	9/1992	Christopherson	126/25 R
5,151,000	9/1992	Geraghty et al.	414/187
5,251,607	10/1993	Traeger et al.	126/25 R
5,269,233	12/1993	Johnson et al.	110/110
5,359,945	11/1994	Buckner et al.	110/102 X

Primary Examiner—Susan J. Lucas
Assistant Examiner—Cynthia E. Ramirez
Attorney, Agent, or Firm—Richard C. Litman

[57] CLAIM

The ornamental design for a pellet hopper for a pellet-burning grill, as shown and described.

DESCRIPTION

FIG. 1 is a rear perspective view of a pellet hopper for a pellet-burning grill showing my new design; FIG. 2 is a top view thereof; FIG. 3 is a front elevational view thereof; FIG. 4 is a right side elevational view; FIG. 5 is a left side elevational view; FIG. 6 is a bottom view thereof; and, FIG. 7 is a rear view thereof.

The broken line showing of the lettering in FIGS. 1 and 4 and the cord in FIGS. 5 and 7 is for illustrative purposes only and forms no part of the claimed design.

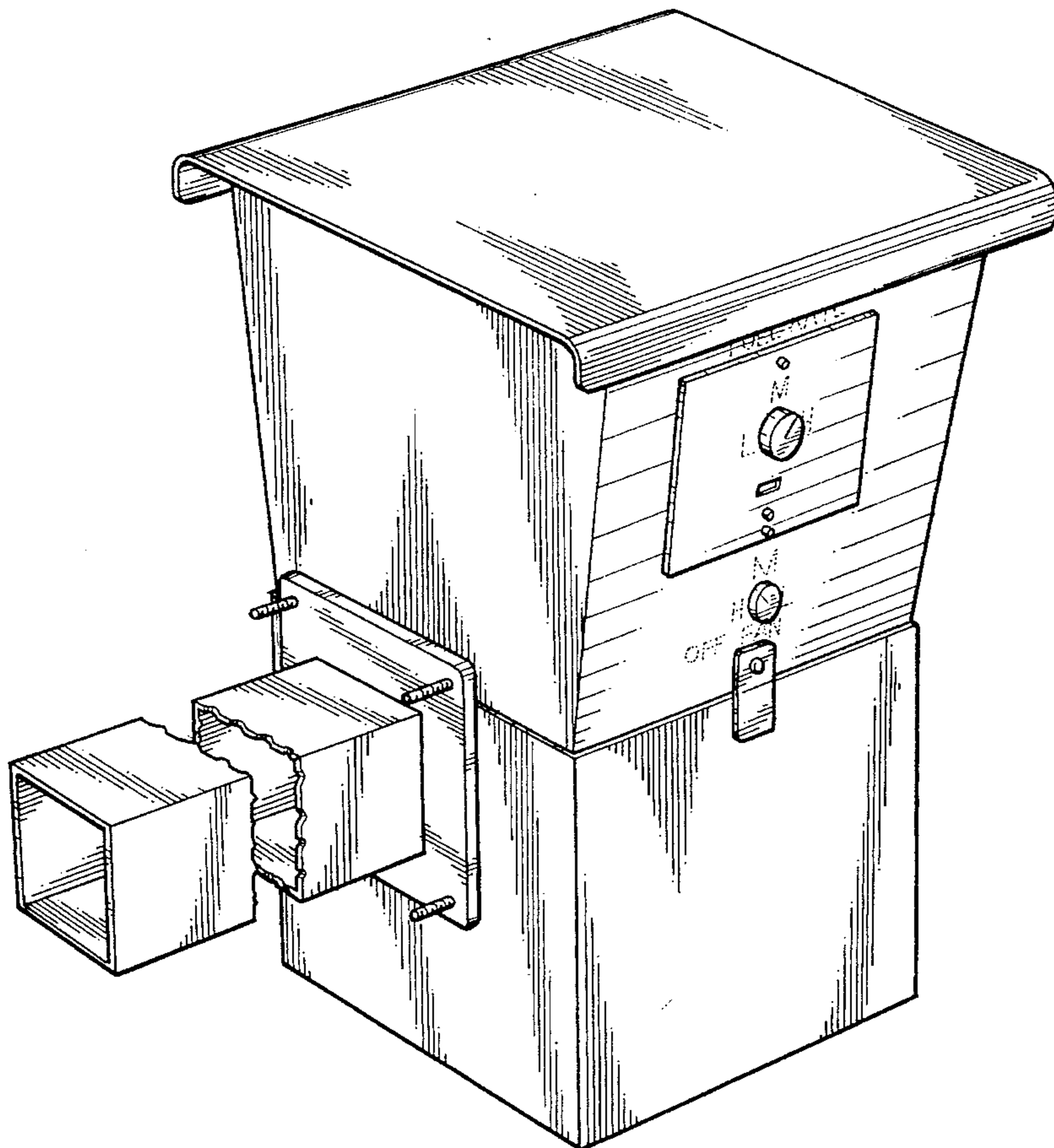
The broken away disclosure of the exhaust duct in FIGS. 1, 2, 4, 5 and 6 is understood to represent a continuation of the design uniformly along any length.

1 Claim, 4 Drawing Sheets

[56] References Cited

U.S. PATENT DOCUMENTS

D. 122,148	8/1940	Richardson	D23/329
D. 252,101	6/1979	Orlando	D23/343
D. 288,652	3/1987	Snediker, Sr. et al.	D7/68
D. 303,265	9/1989	Miyoshi et al.	D15/122
D. 305,148	12/1989	Christensen	D23/314
D. 350,189	8/1994	Blevis, Jr.	D23/329
602,474	4/1898	Ritter et al.	126/68
1,804,285	5/1931	Snyder	110/102 X
4,300,456	11/1981	Messersmith	110/102
4,442,825	4/1984	Waldau	126/68
4,593,629	6/1986	Pedersen et al.	110/172
4,669,396	6/1987	Resh	110/233
4,823,684	4/1989	Traeger et al.	99/447



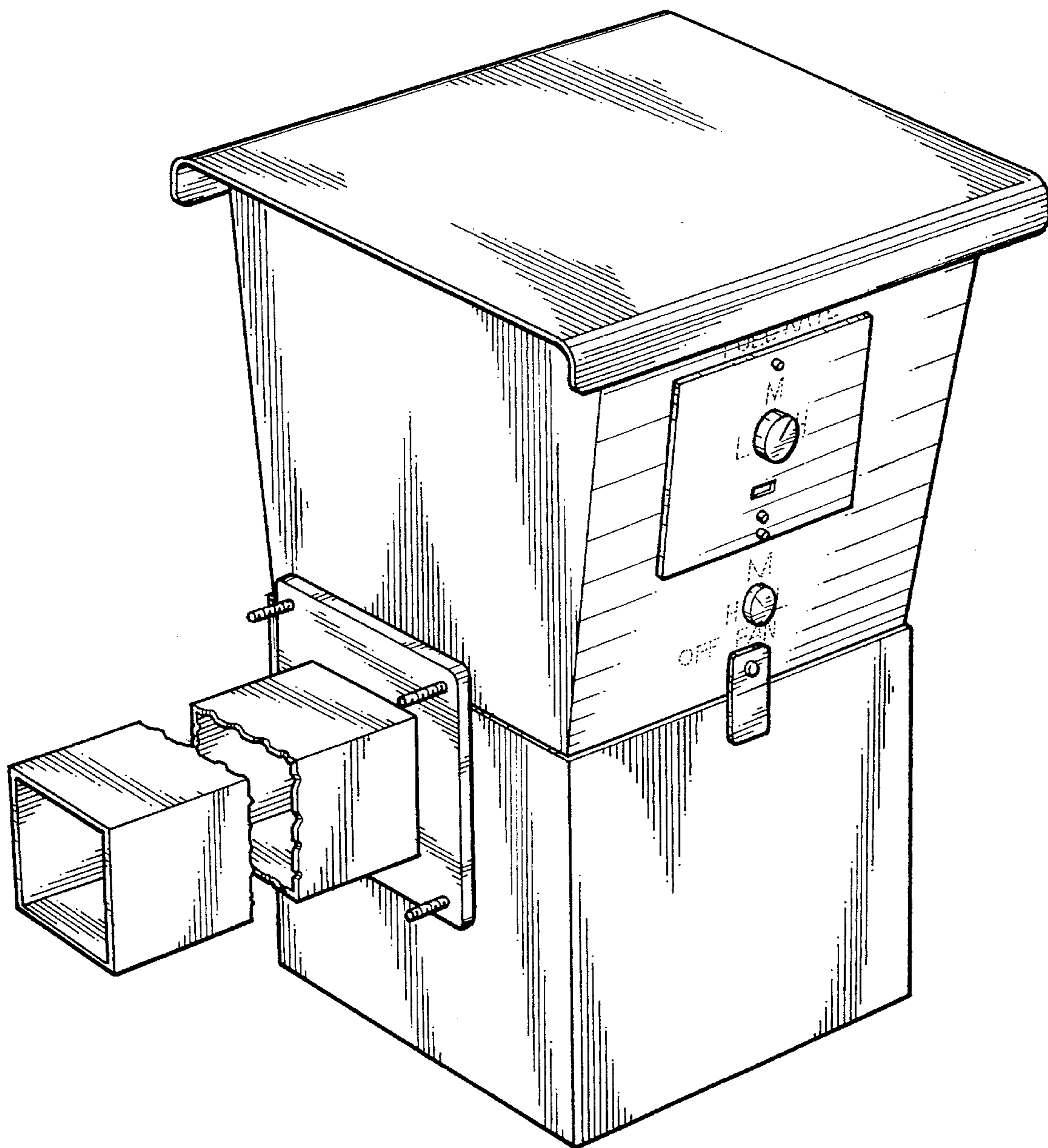


FIG. 1

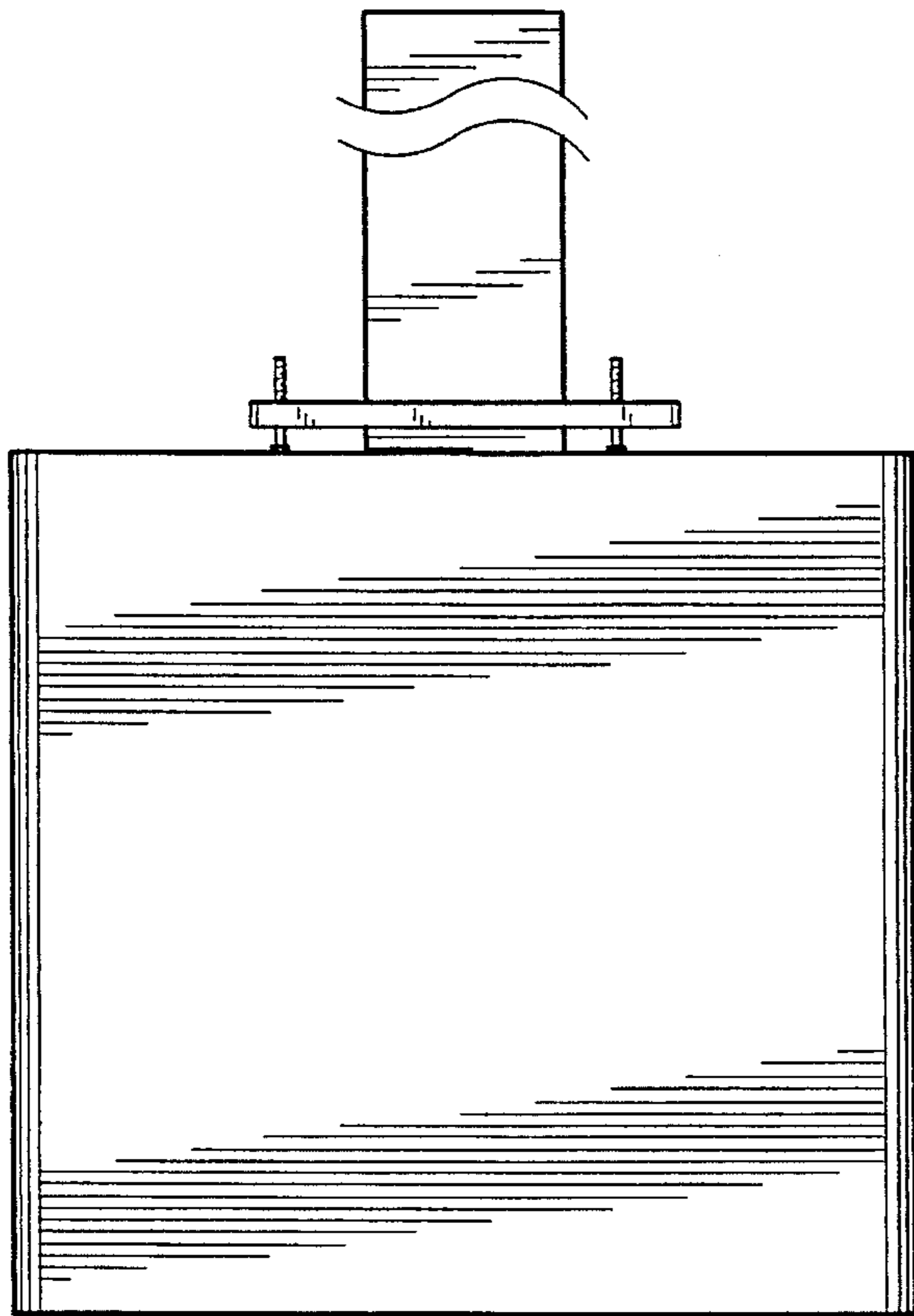


FIG. 2

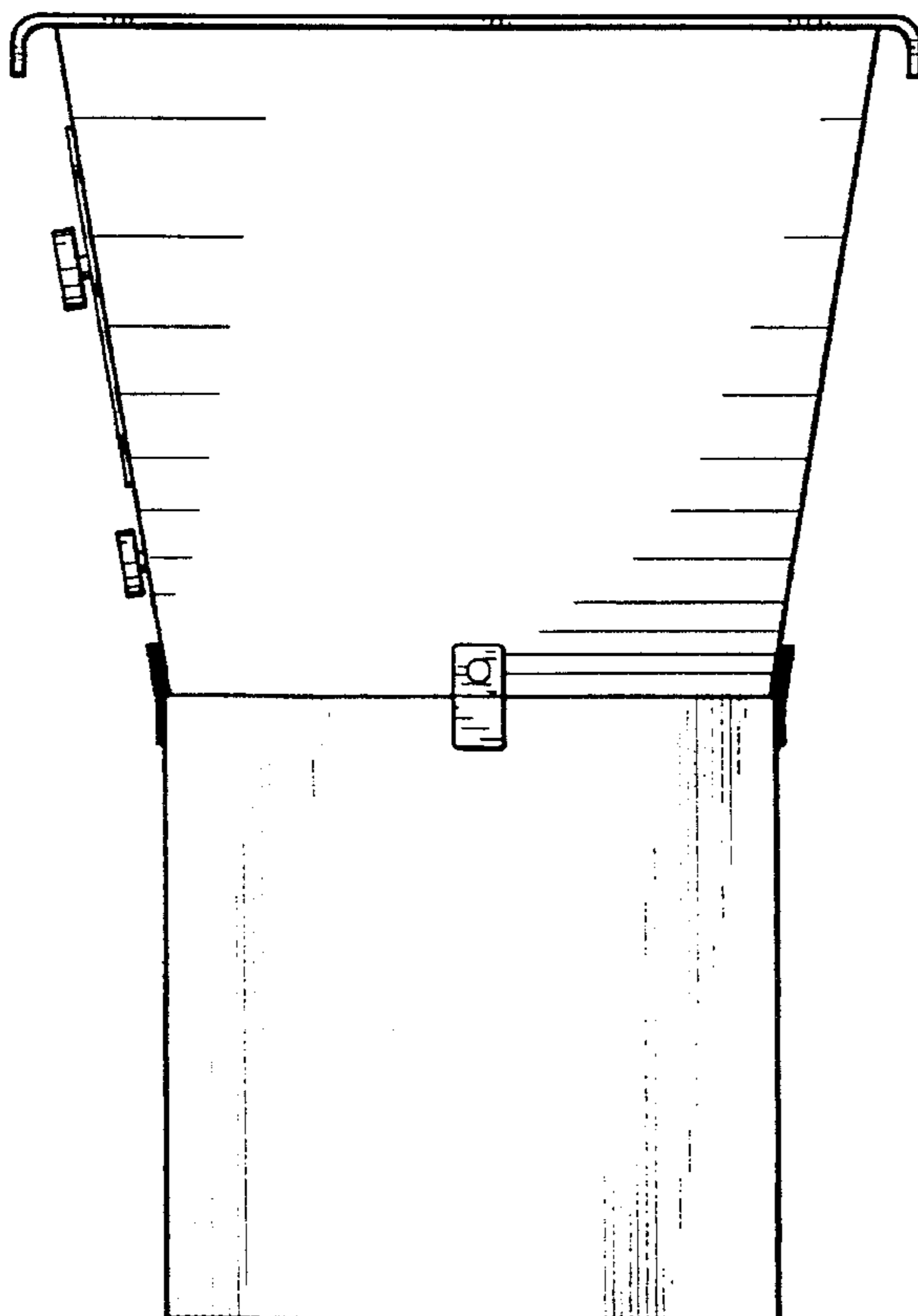


FIG. 3

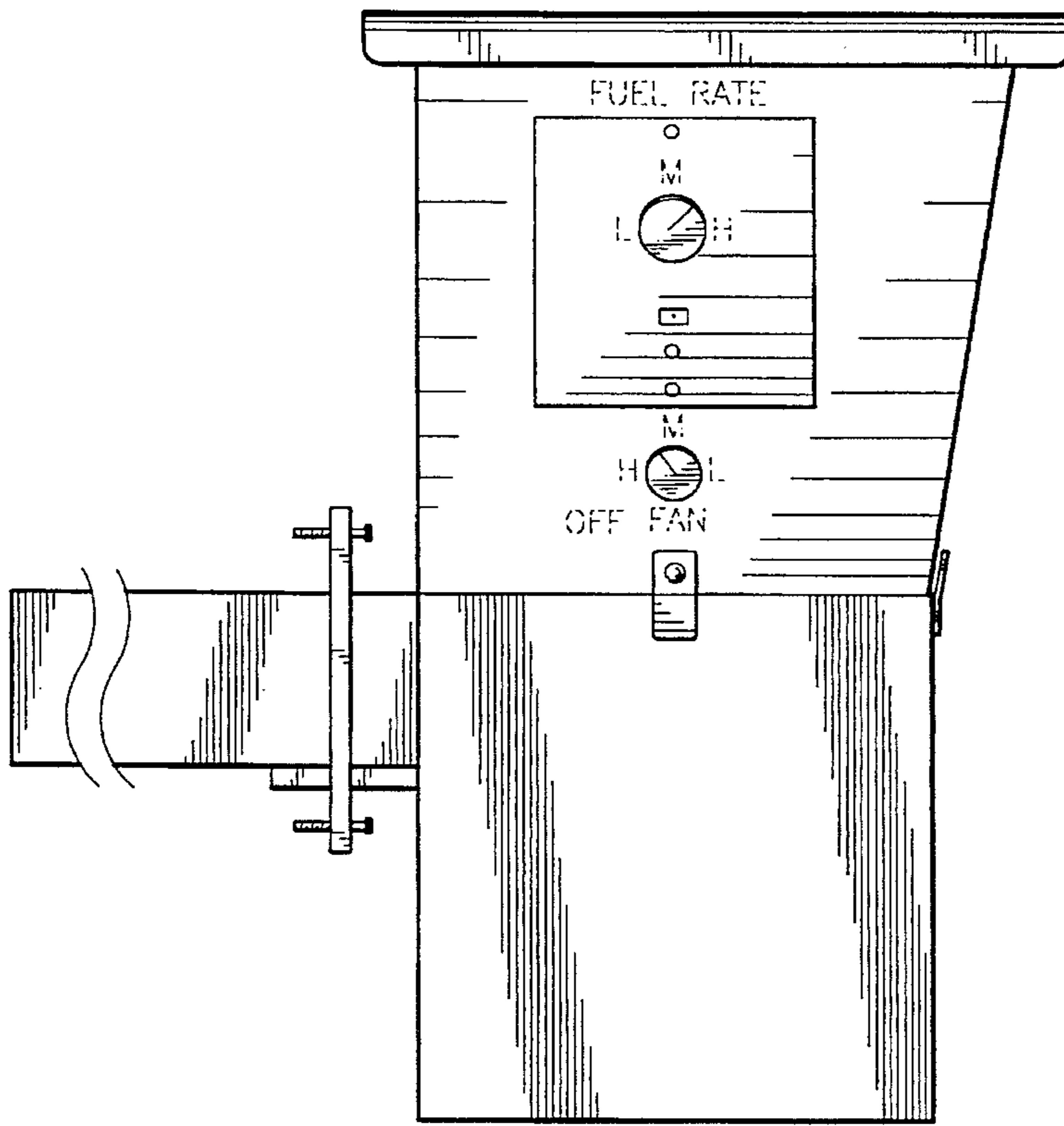


FIG. 4

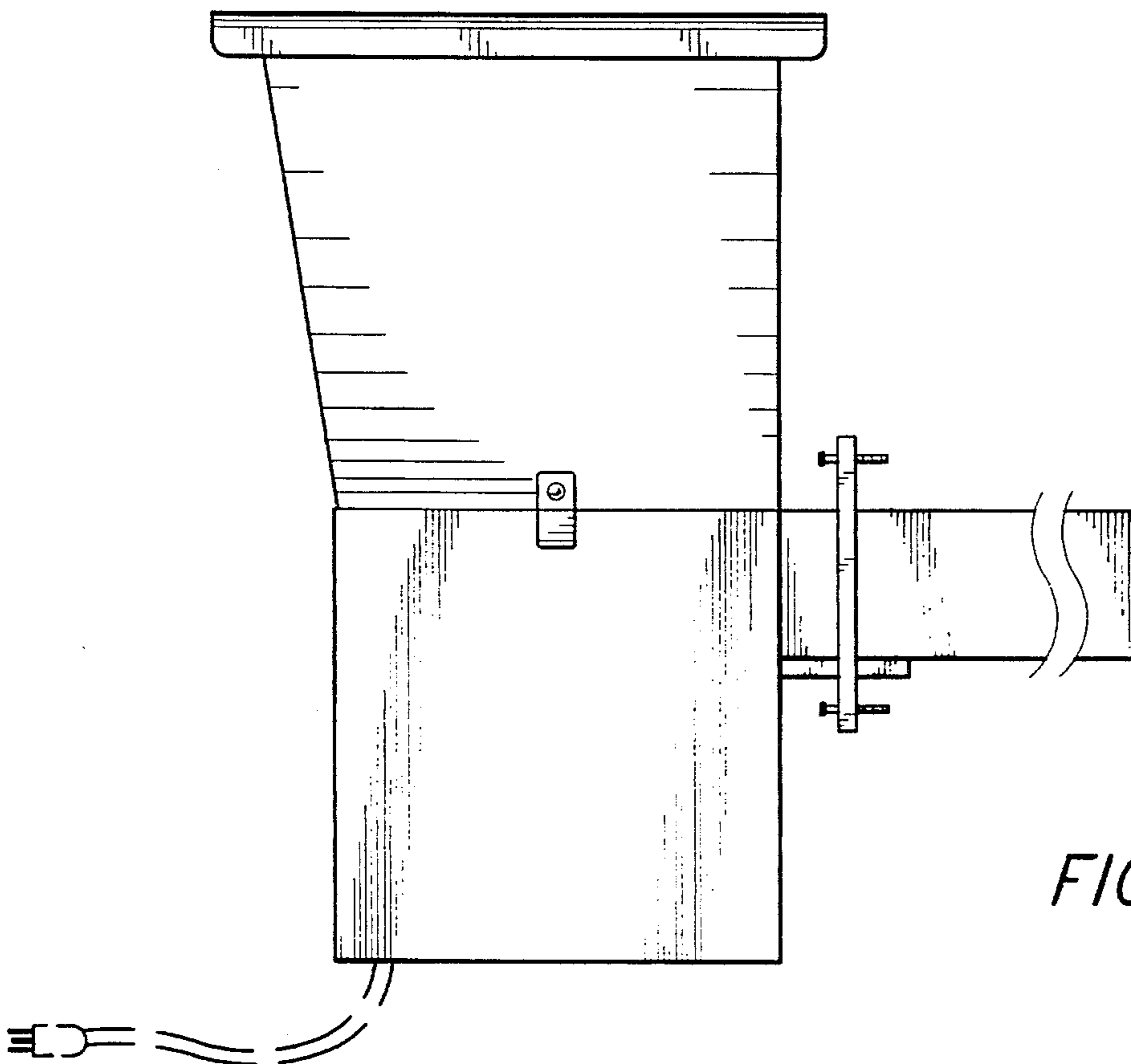


FIG. 5

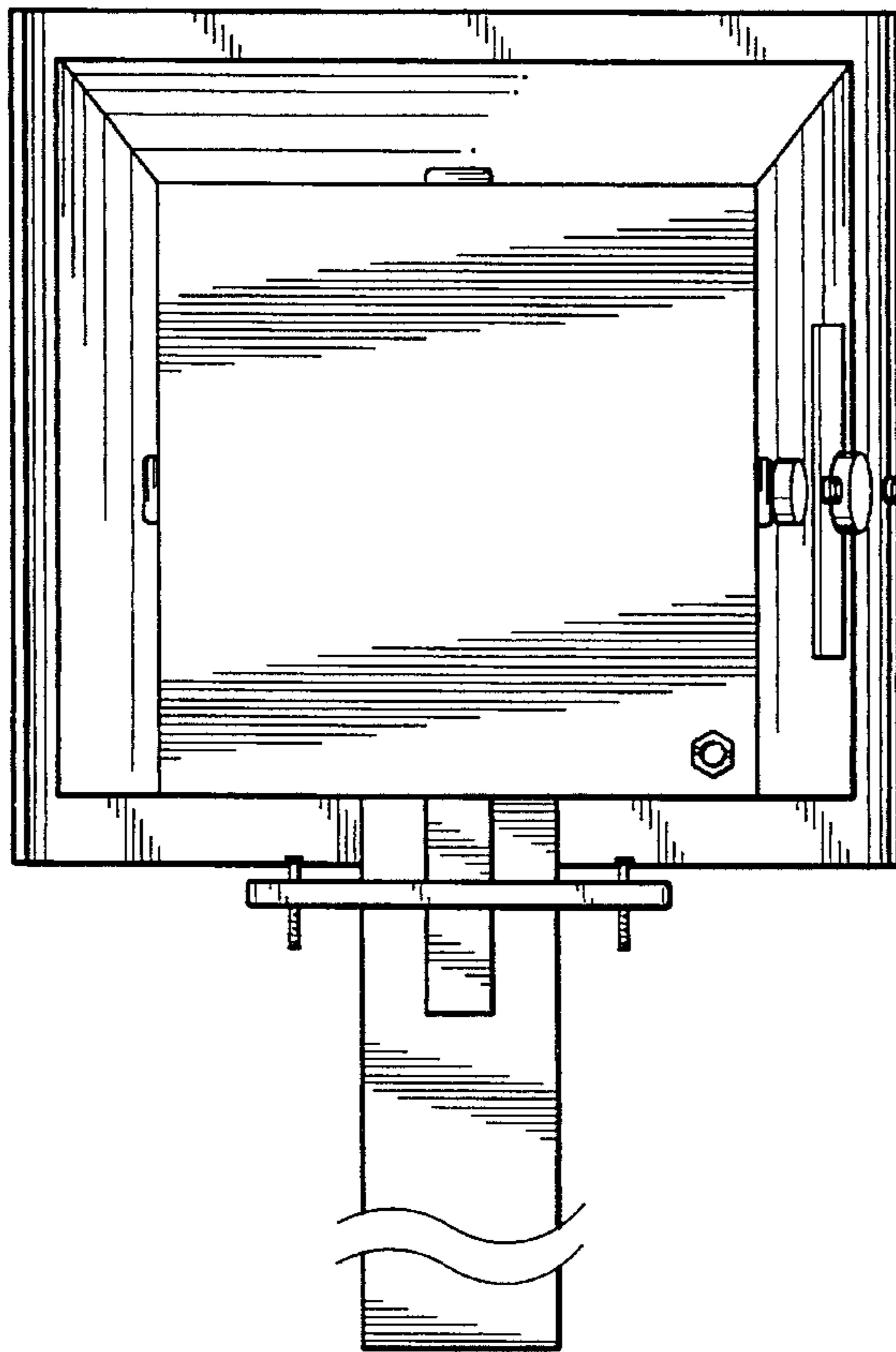


FIG. 6

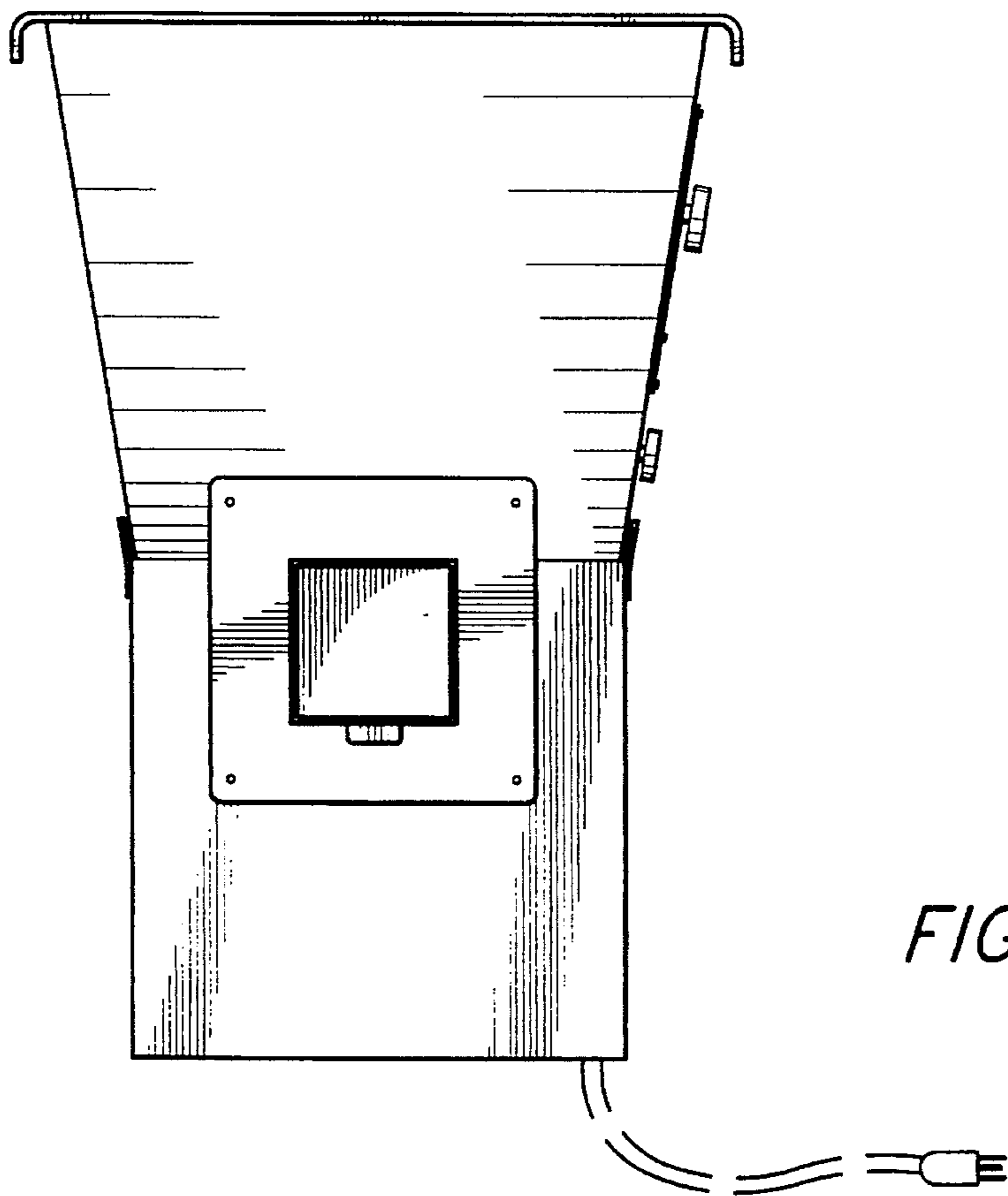


FIG. 7