



US00D377389S

United States Patent [19]

[11] Patent Number: **Des. 377,389**

Phillips et al.

[45] Date of Patent: ****Jan. 14, 1997**

[54] **CHANNEL DRAIN AND SUPPORT BRACKET UNIT**

Primary Examiner—Holly H. Baynham
Attorney, Agent, or Firm—Richard D. Slehofer

[76] Inventors: **Trevor Phillips; Robert Babcock**, both of 3001 Mission Oaks Blvd., Camarillo, Calif. 93011

[57] **CLAIM**

The ornamental design for a channel drain and support bracket unit, as shown and described.

[**] Term: **14 Years**

DESCRIPTION

[21] Appl. No.: **19,231**

[22] Filed: **Feb. 25, 1994**

[52] U.S. Cl. **D23/261**

[58] Field of Search D8/349, 354; 248/65, 248/73, 69-70, 55-62; D23/260-262, 265; 405/36, 118, 119; 404/2, 3

FIG. 1 is a perspective view of a channel drain and support bracket unit showing our new design; FIG. 2 is a perspective view with the grate removed; FIG. 3 is a perspective view of the support bracket detached from the claimed design; FIG. 4 is an end elevational view thereof; FIG. 5 is a top plan view thereof; FIG. 6 is a side elevational view thereof; FIG. 7 is a bottom plan view thereof; FIG. 8 is perspective view of a channel section of the channel drain and support bracket unit; FIG. 9 is a side elevational view thereof; FIG. 10 is a bottom plan view thereof; FIG. 11 is an end elevational view thereof; FIG. 12 is a top elevational view thereof; and, FIG. 13 is an exploded perspective view of the channel drain and support bracket unit.

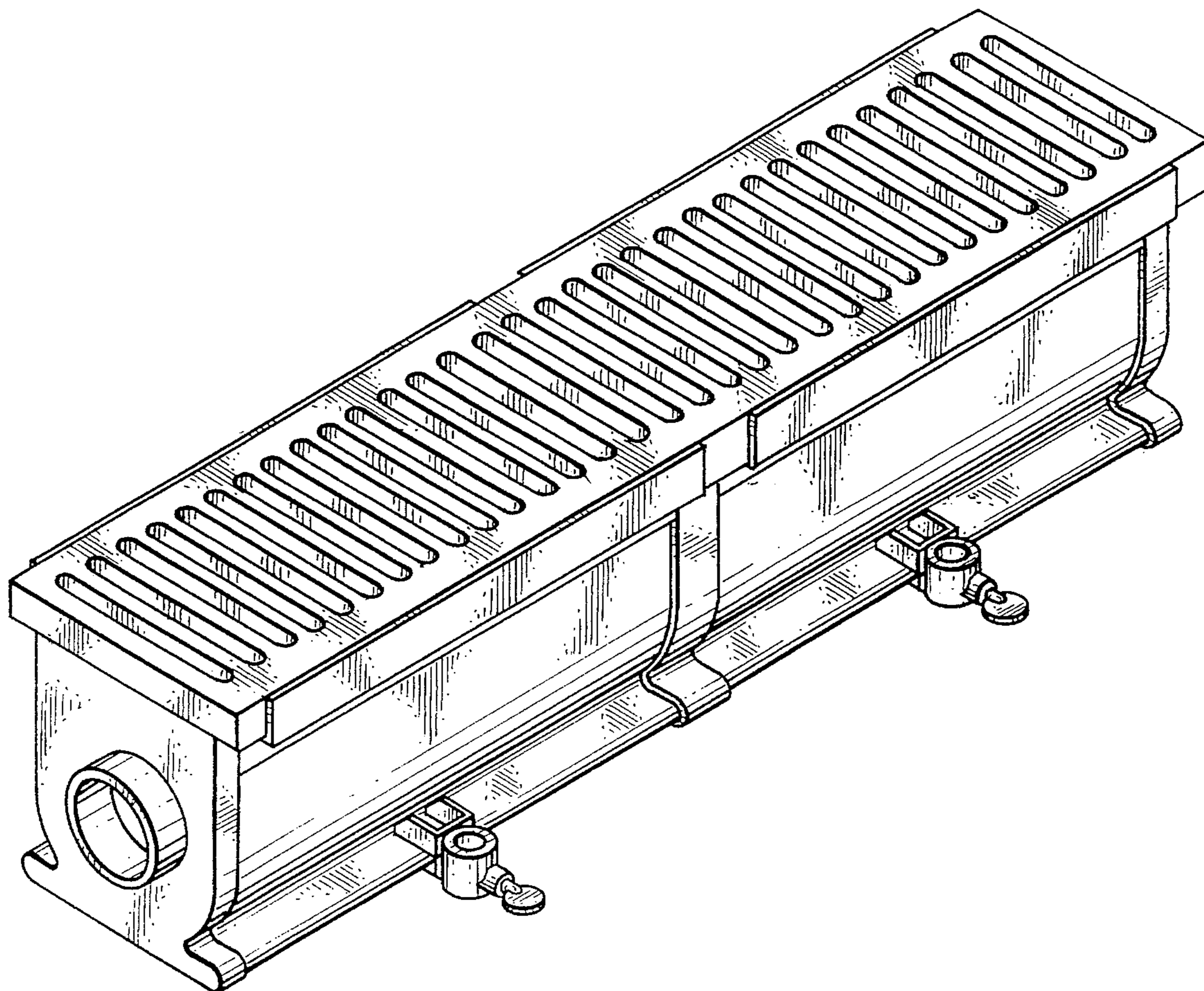
[56] **References Cited**

U.S. PATENT DOCUMENTS

Re. 33,439	11/1990	Thomann et al.	404/2
D. 299,543	1/1989	Phillips	D25/35
D. 312,696	12/1990	Phillips	D25/35
3,225,545	12/1965	Flegel	404/2 X
4,356,986	11/1982	Lynch	248/57
4,878,782	11/1989	Beattie et al.	405/119
4,907,766	3/1990	Rinderer	248/59 X
5,154,375	10/1992	Condon	248/57 X
5,236,158	8/1993	Condon	248/57 X
5,256,000	10/1993	Beamer	405/119

The elements of the channel drain and support bracket unit are shown detached for clarity of illustration.

1 Claim, 7 Drawing Sheets



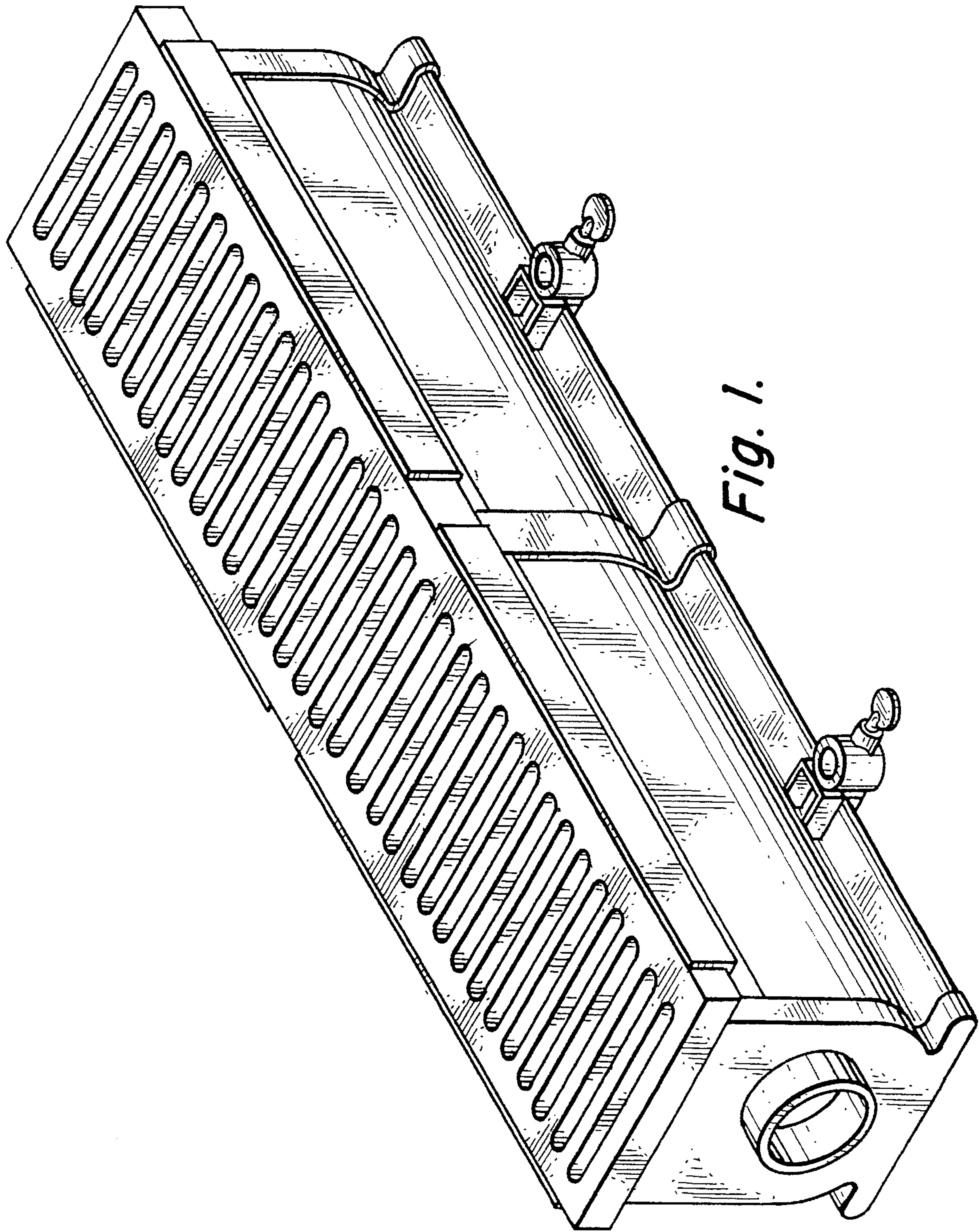


Fig. 1.

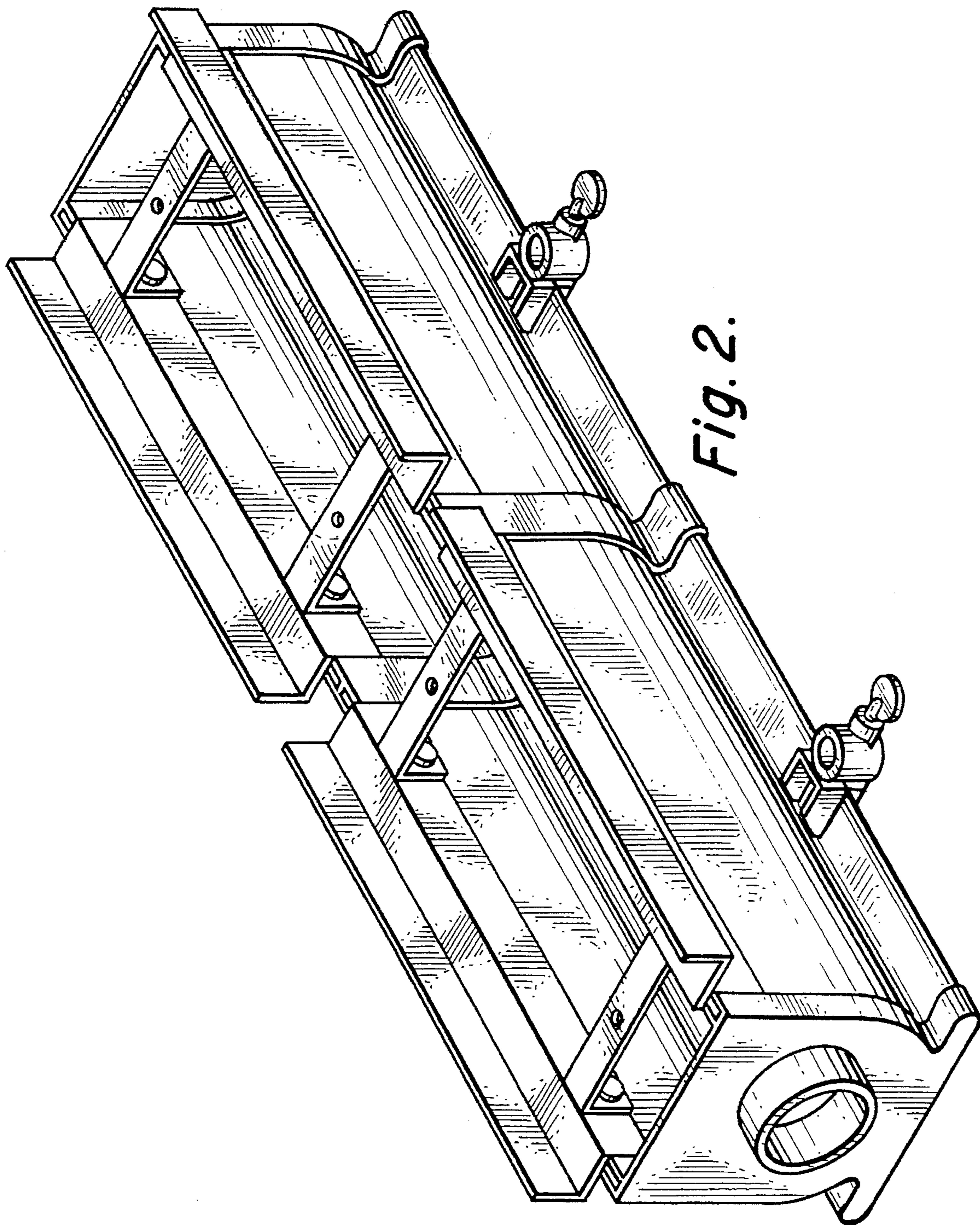


Fig. 2.

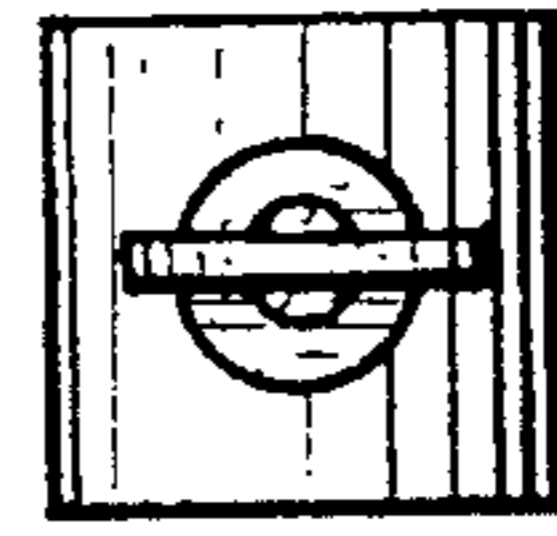


Fig. 4.

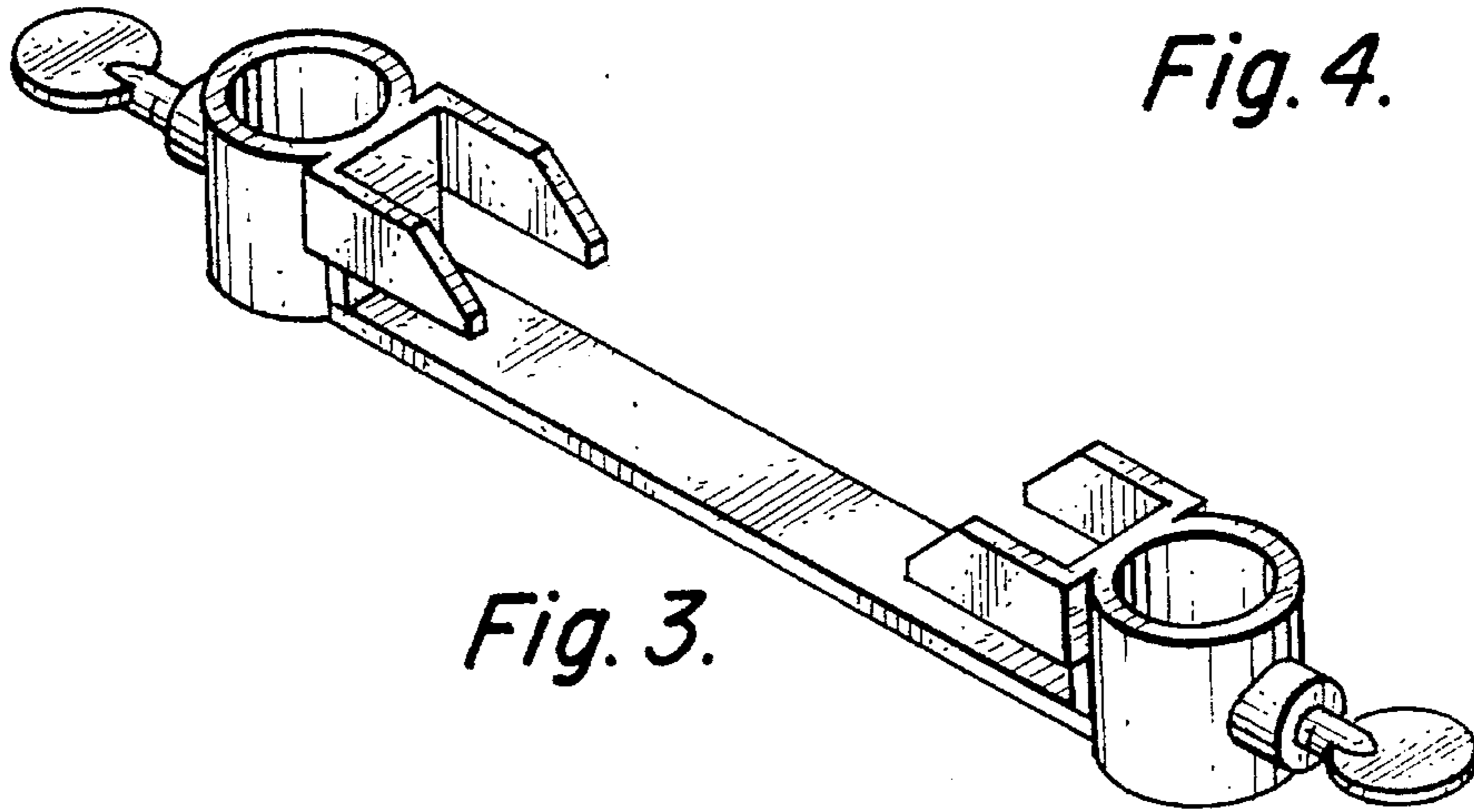


Fig. 3.

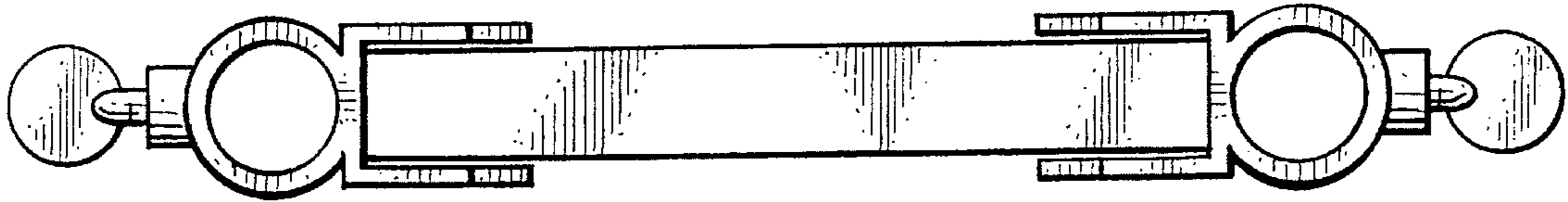


Fig. 5.

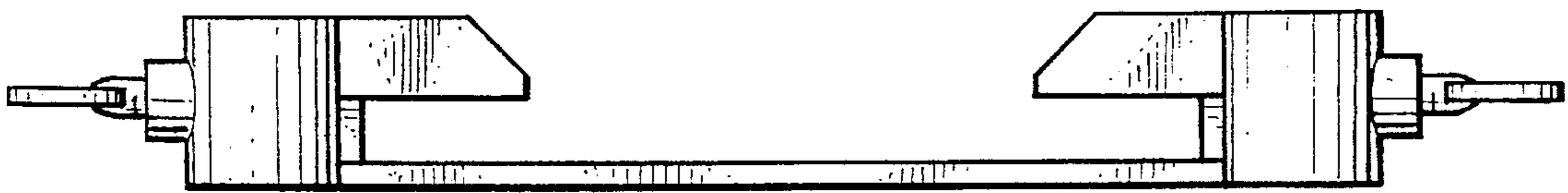


Fig. 6.

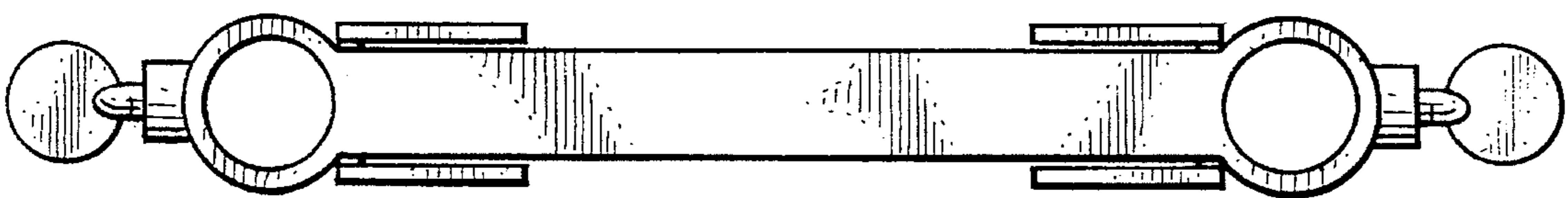


Fig. 7.

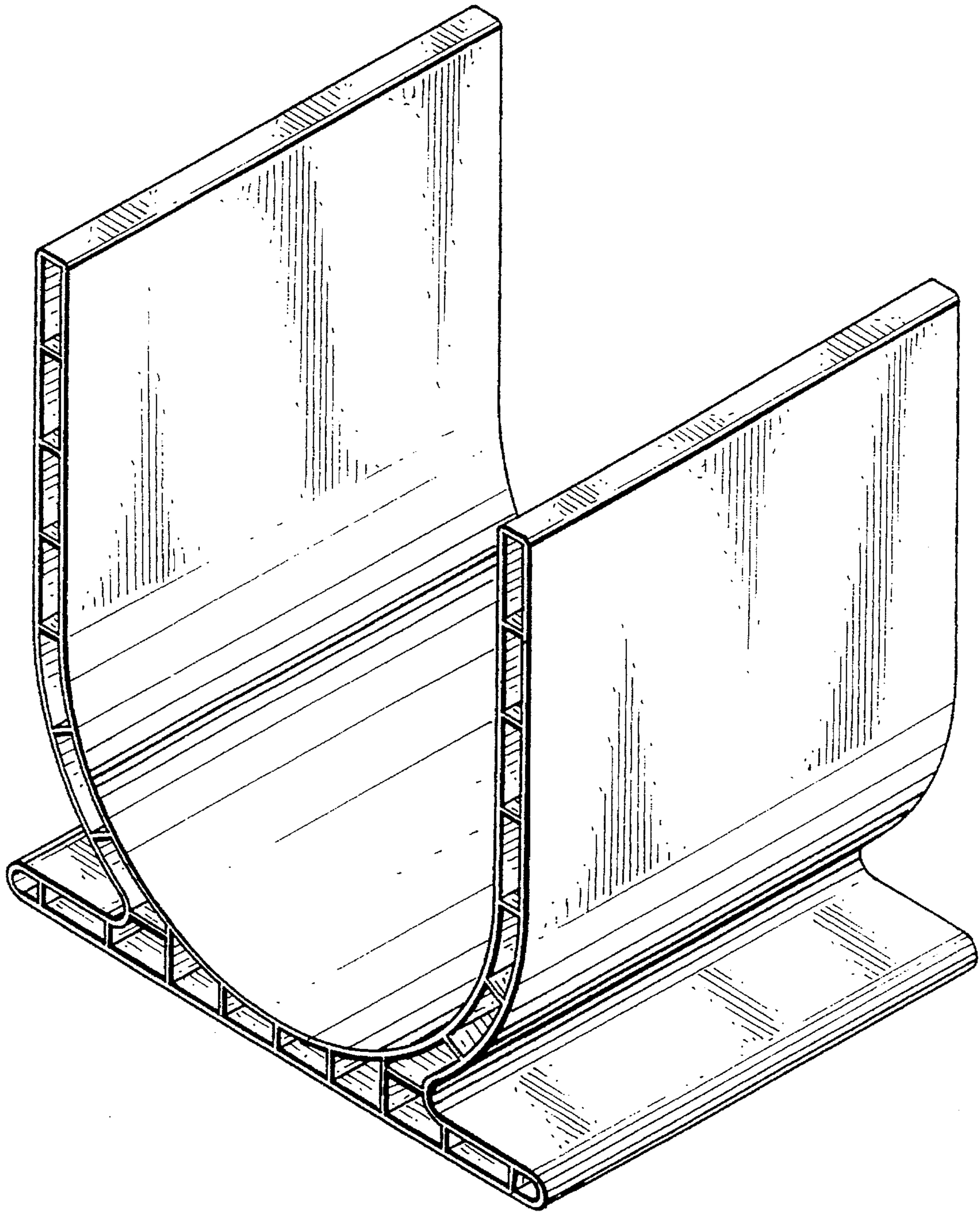


Fig. 8.

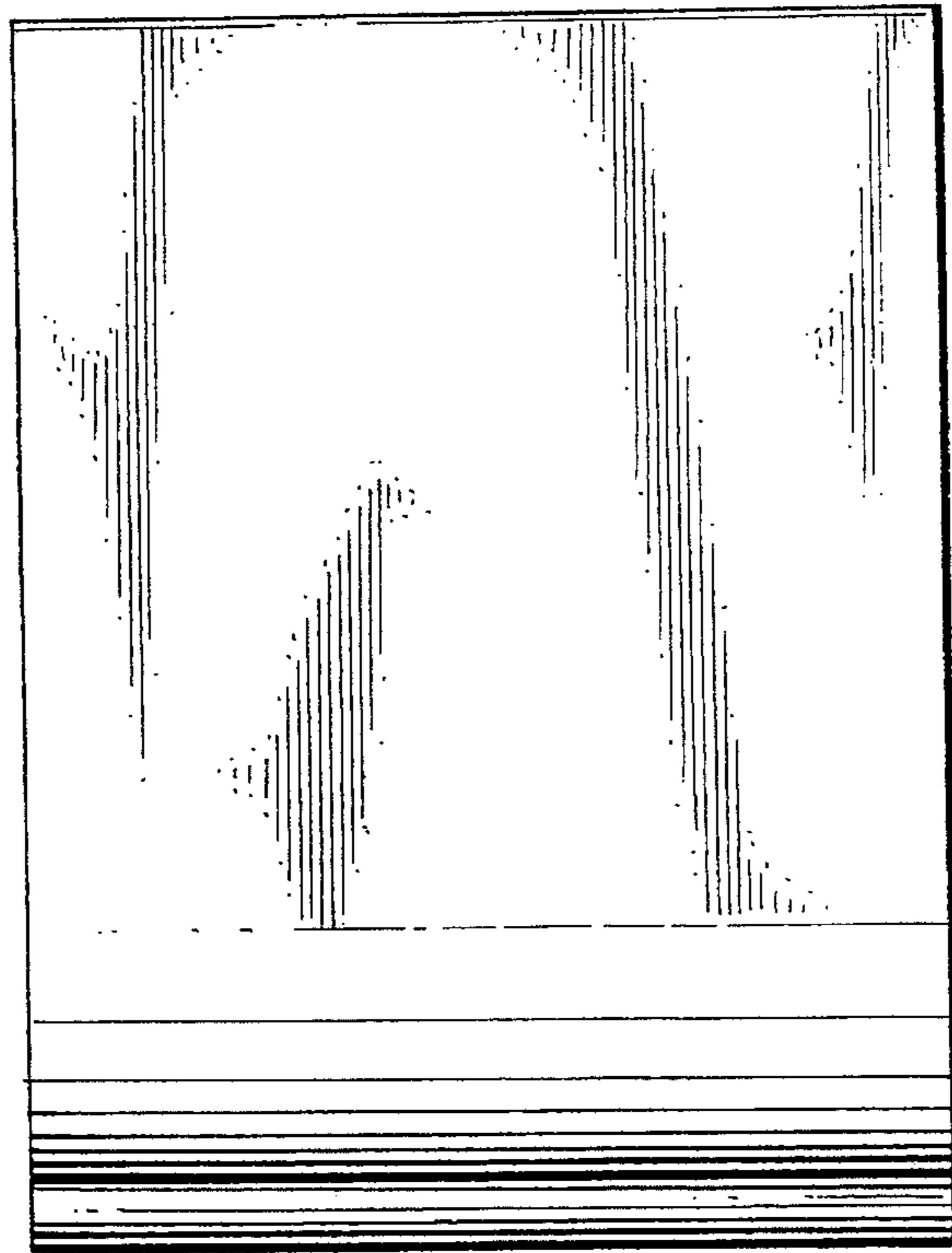


Fig. 9.

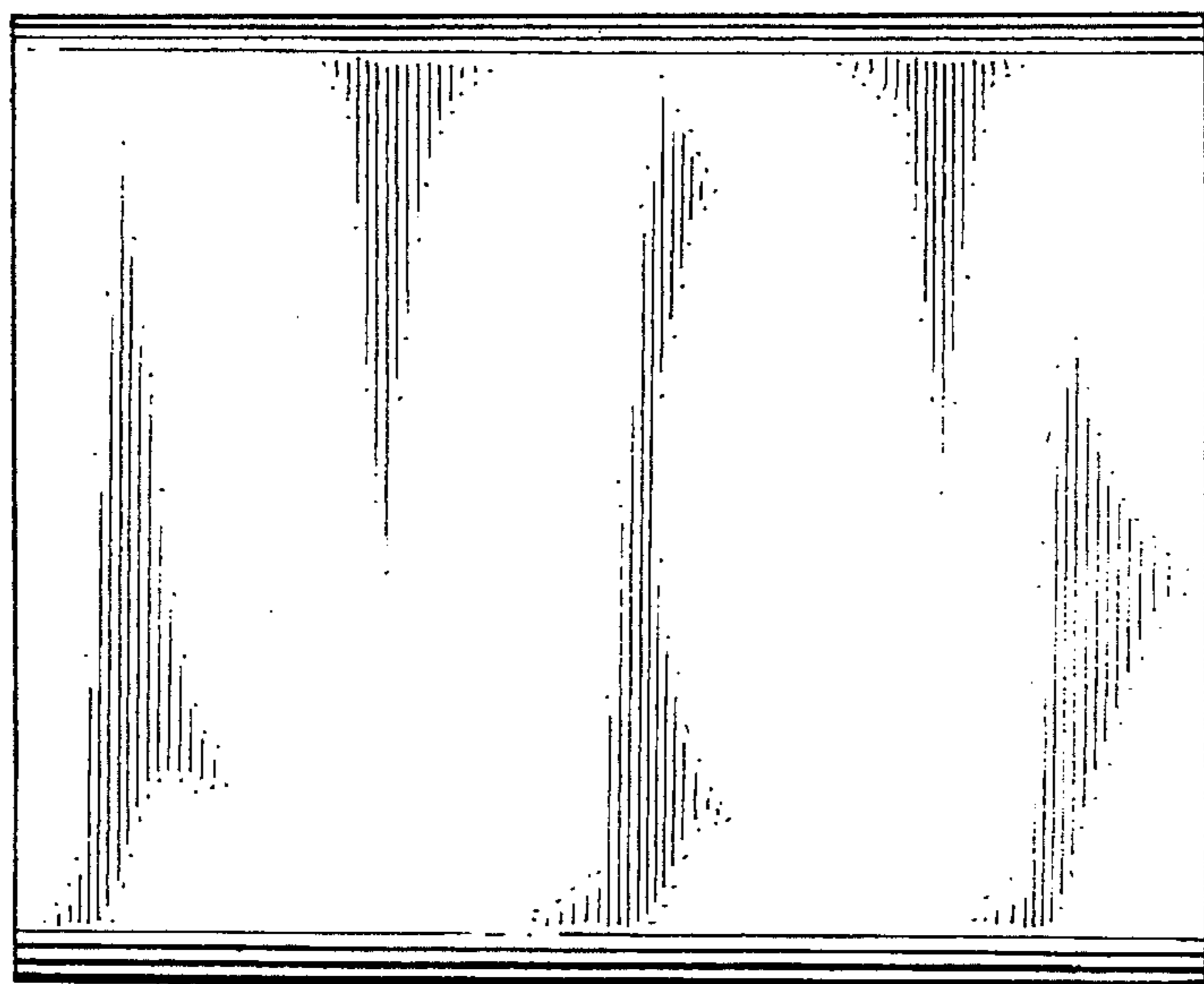


Fig. 10.

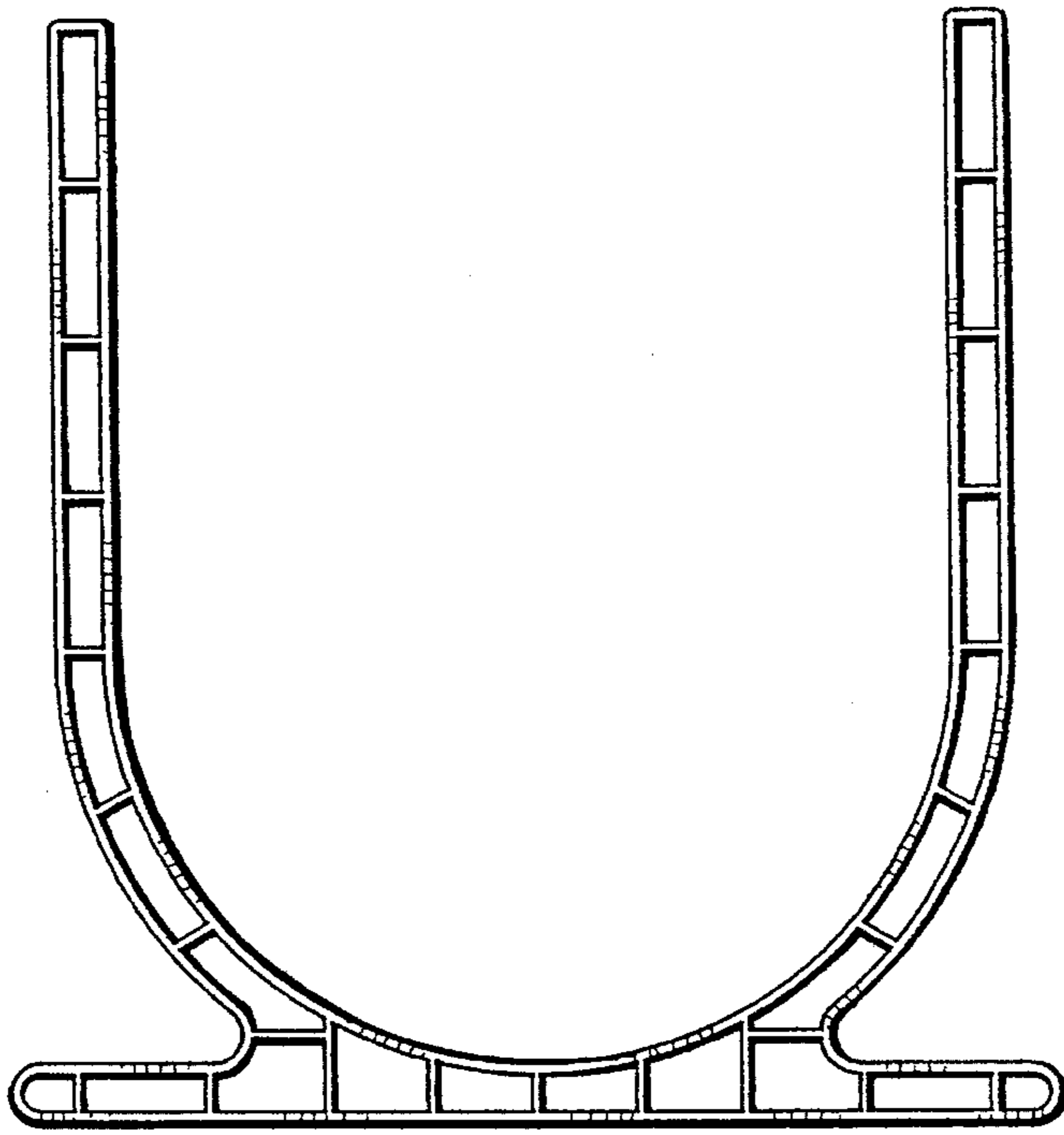


Fig. 11.

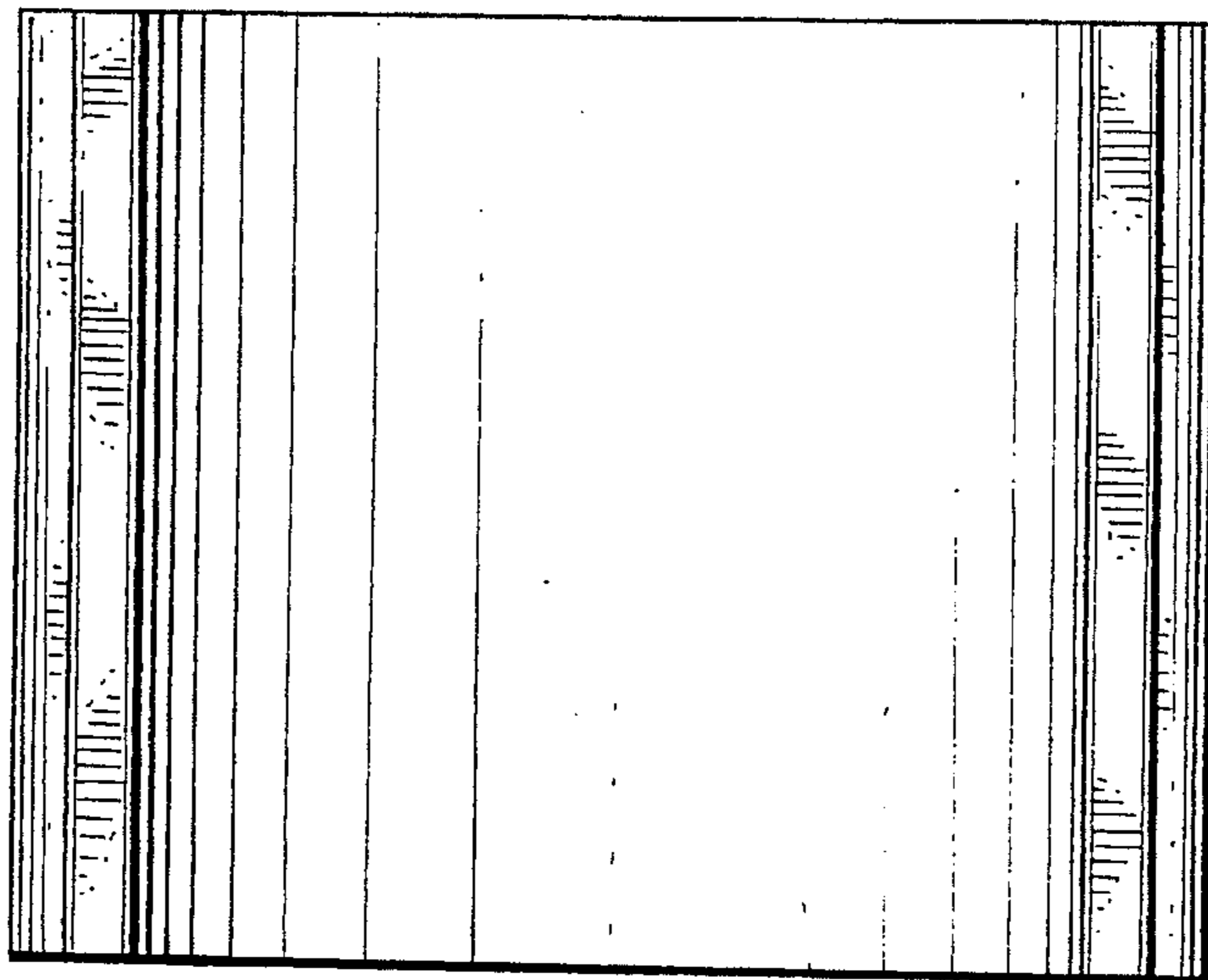


Fig. 12.

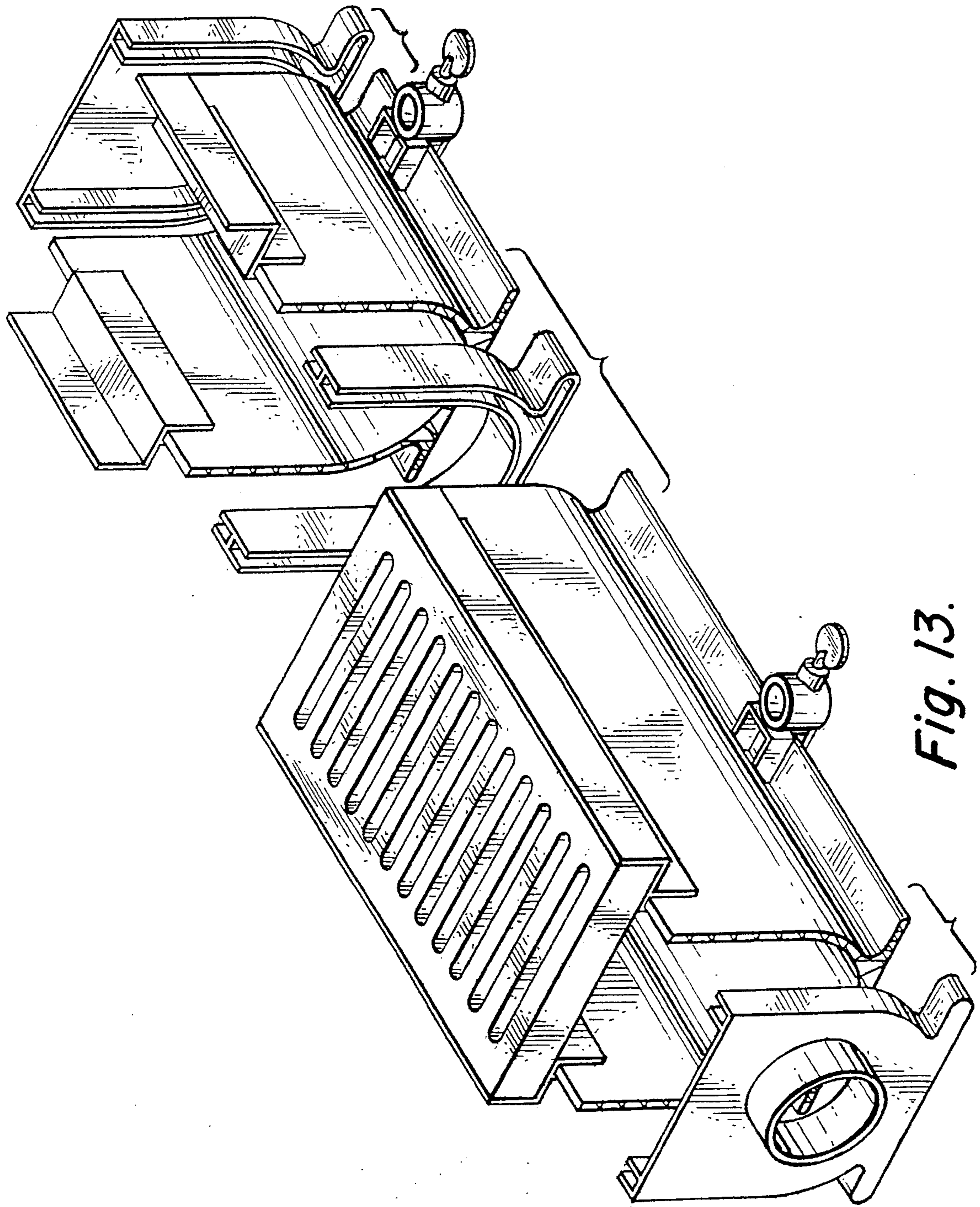


Fig. 13.