



US00D377387S

# United States Patent [19]

Mathewson

[11] Patent Number: **Des. 377,387**

[45] Date of Patent: **\*\*Jan. 14, 1997**

[54] FISHING ROD SUPPORT

[76] Inventor: **Christy L. Mathewson**, 109 Hamlin Ct. North, Longwood, Fla. 32750

[\*\*] Term: **14 Years**

[21] Appl. No.: **52,496**

[22] Filed: **Apr. 1, 1996**

[52] U.S. Cl. .... **D22/147**

[58] Field of Search ..... D22/147, 148; 43/21.2, 15; 248/512, 514, 515, 538

4,932,152	6/1990	Barlotta et al. ....	43/21.2
5,054,737	10/1991	DeLancey .....	248/515
5,121,565	6/1992	Wille et al. ....	43/21.2 X
5,163,652	11/1992	King .....	248/538
5,313,734	5/1994	Roberts .....	248/538 X
5,438,789	8/1995	Emory .....	43/21.2

Primary Examiner—Doris V. Coles  
Attorney, Agent, or Firm—William M. Hobby, III

[57] **CLAIM**

The ornamental design for a fishing rod support, as shown and described.

### DESCRIPTION

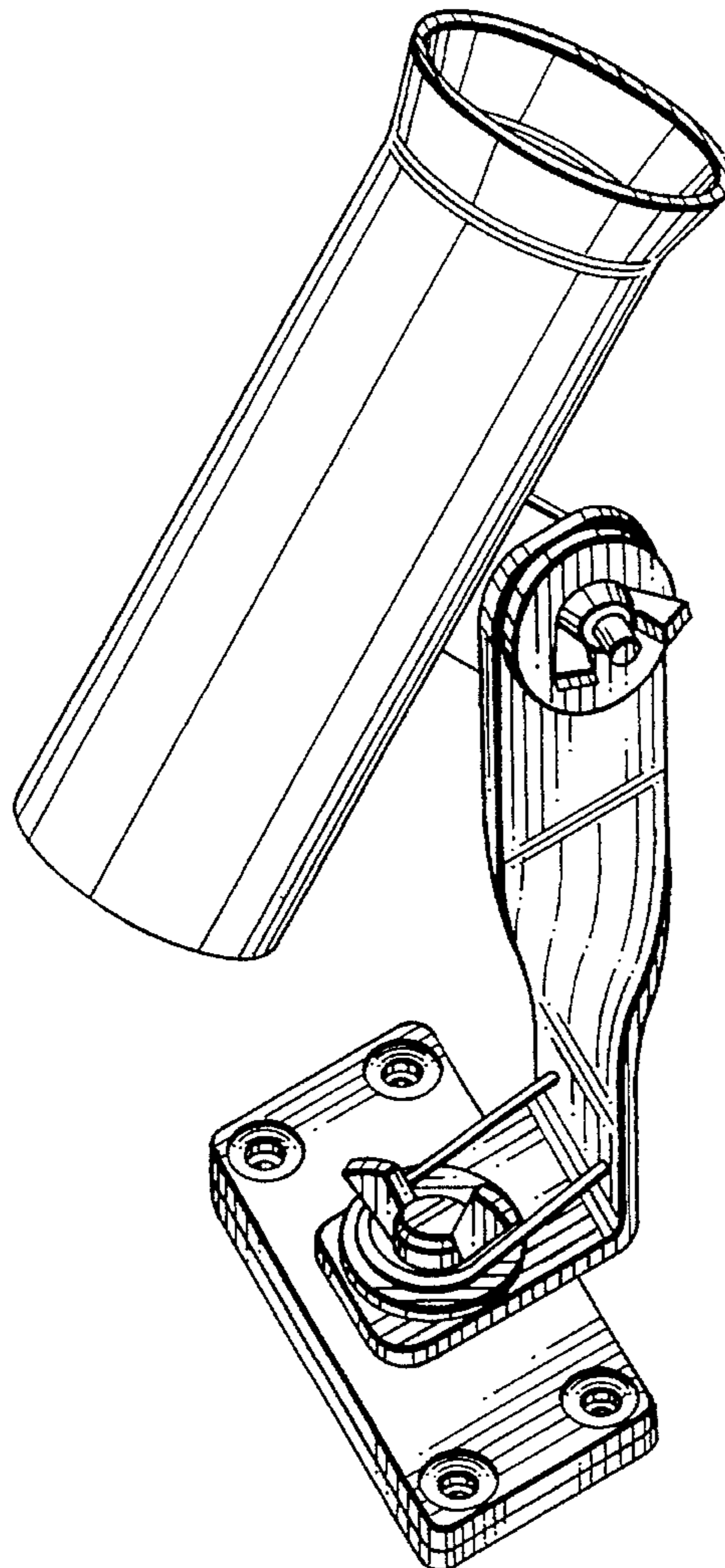
FIG. 1 is a rear and left side perspective of my new fishing rod support;  
FIG. 2 is a left side elevation;  
FIG. 3 is a bottom plan view;  
FIG. 4 is a right side elevation;  
FIG. 5 is a front elevation;  
FIG. 6 is a rear elevation; and,  
FIG. 7 is a top plan view.

**1 Claim, 2 Drawing Sheets**

### [56] References Cited

#### U.S. PATENT DOCUMENTS

D. 224,681	8/1972	Dunphy .....	D22/147
D. 255,259	6/1980	Nelson .....	D22/147
D. 307,171	4/1990	Engle .....	D22/147
D. 337,807	7/1993	Hoover .....	D22/147
D. 352,342	11/1994	Arck .....	D22/147
3,802,112	4/1974	Banner .....	43/21.2
4,012,861	3/1977	Gellatly .....	43/15
4,093,171	6/1978	Mengo, Sr. ....	248/515
4,852,291	8/1989	Mengo .....	43/21.2



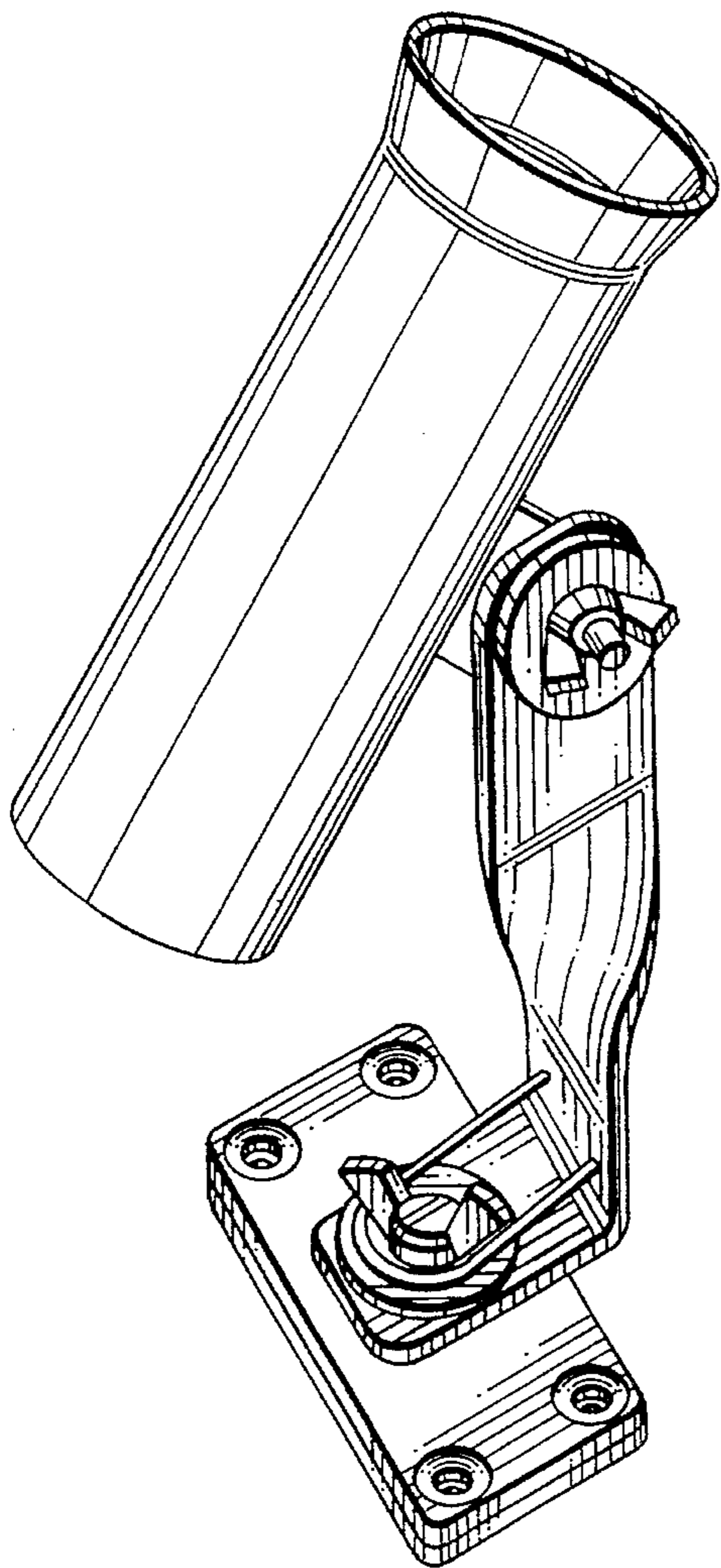


FIG. 1

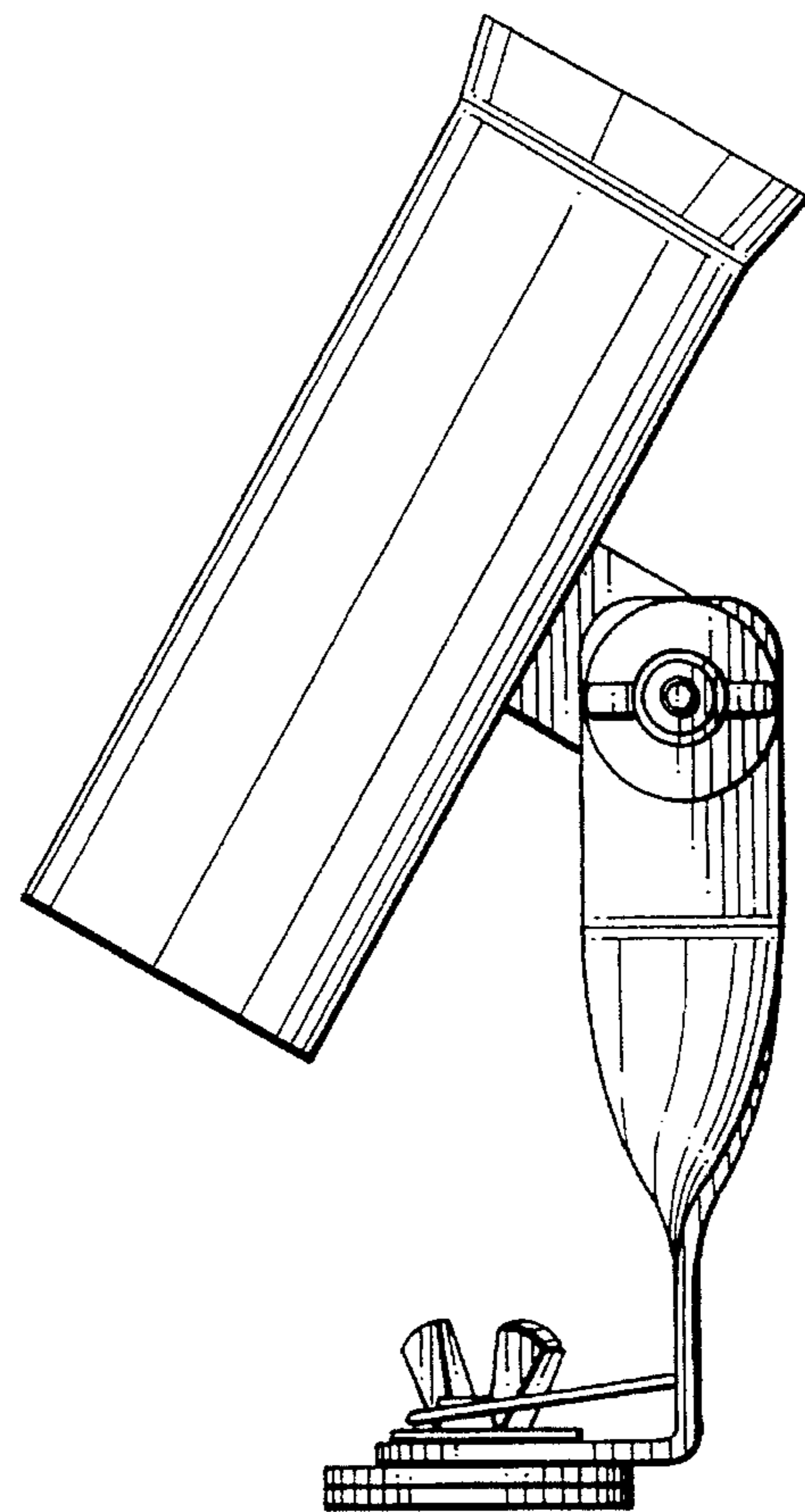


FIG. 2

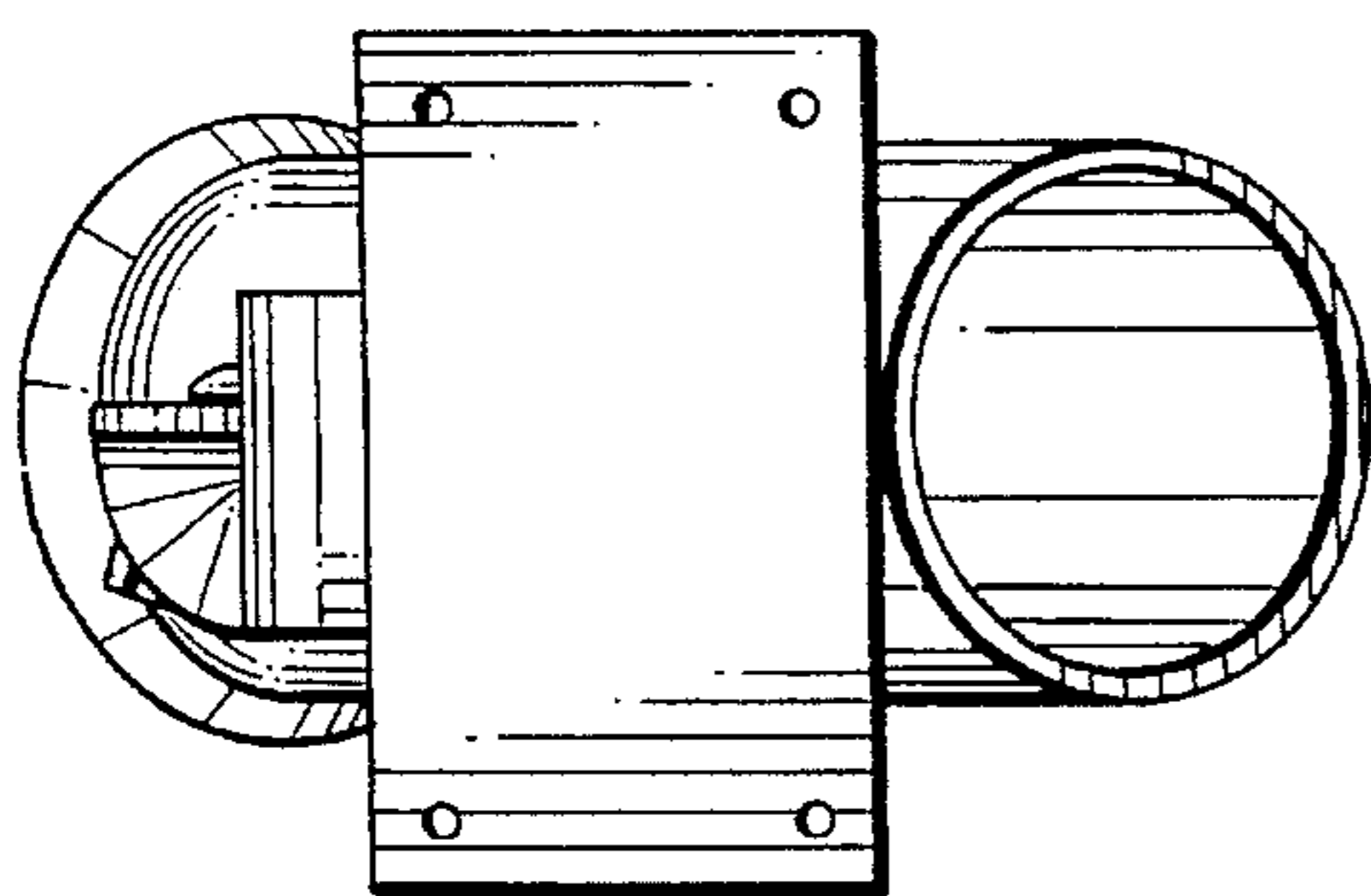


FIG. 3

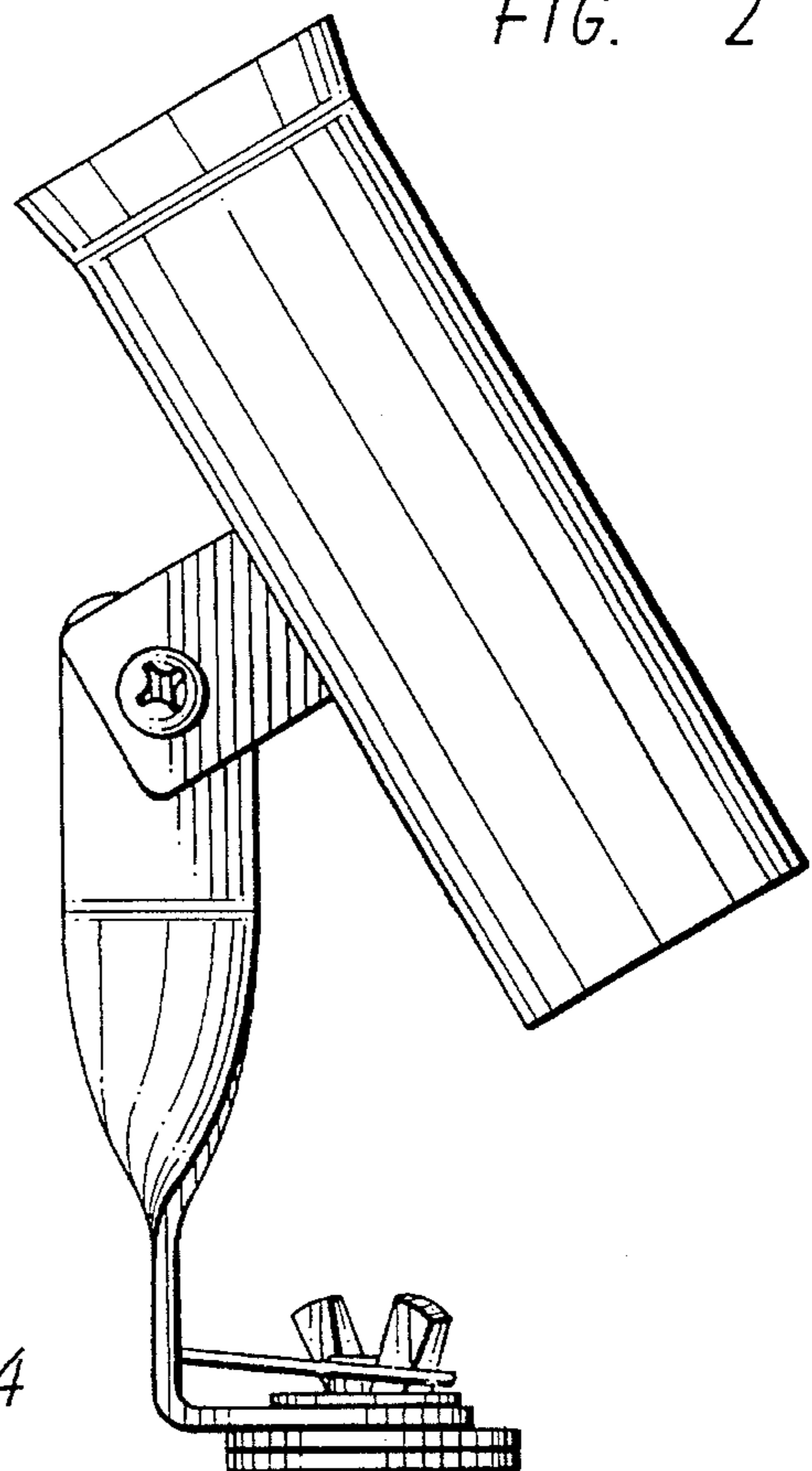


FIG. 4

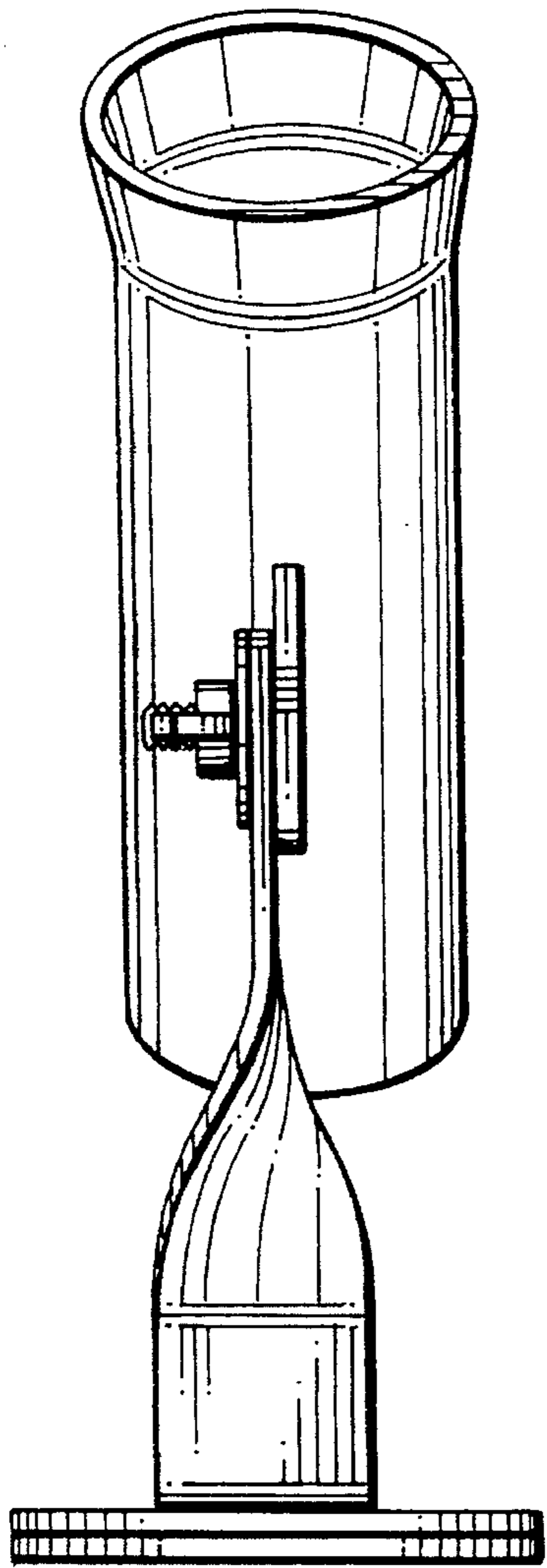


FIG. 5

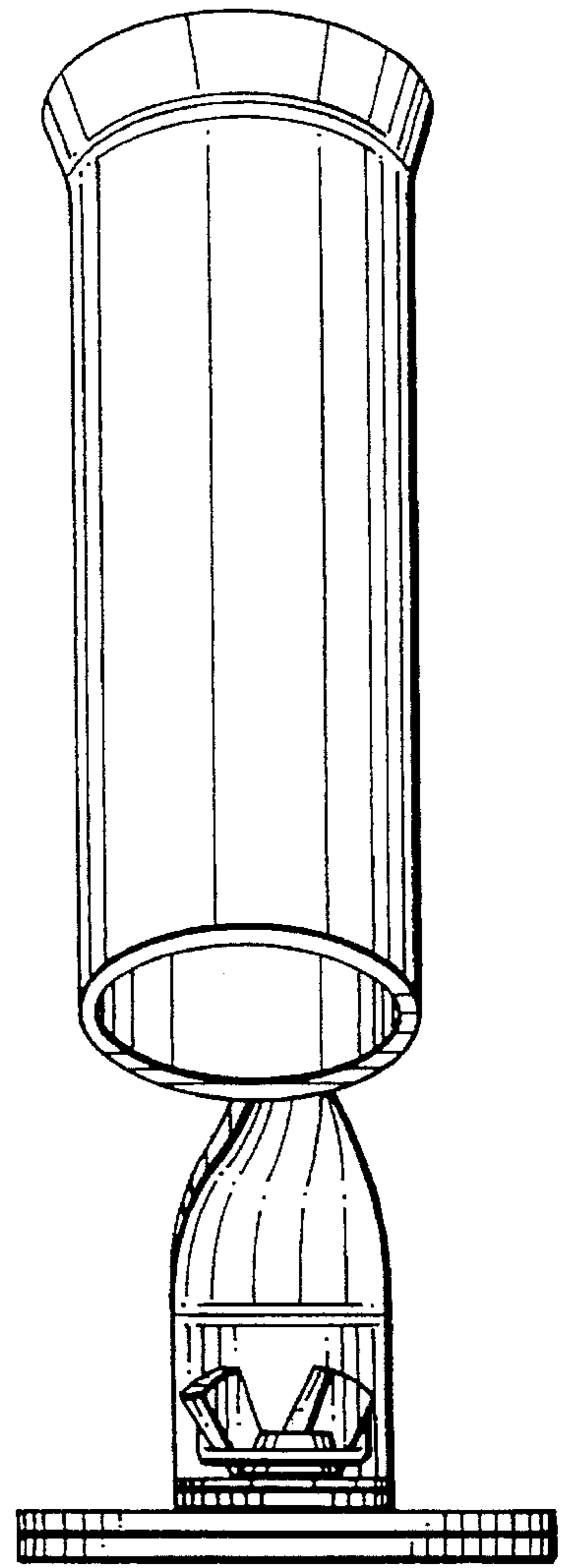


FIG. 6

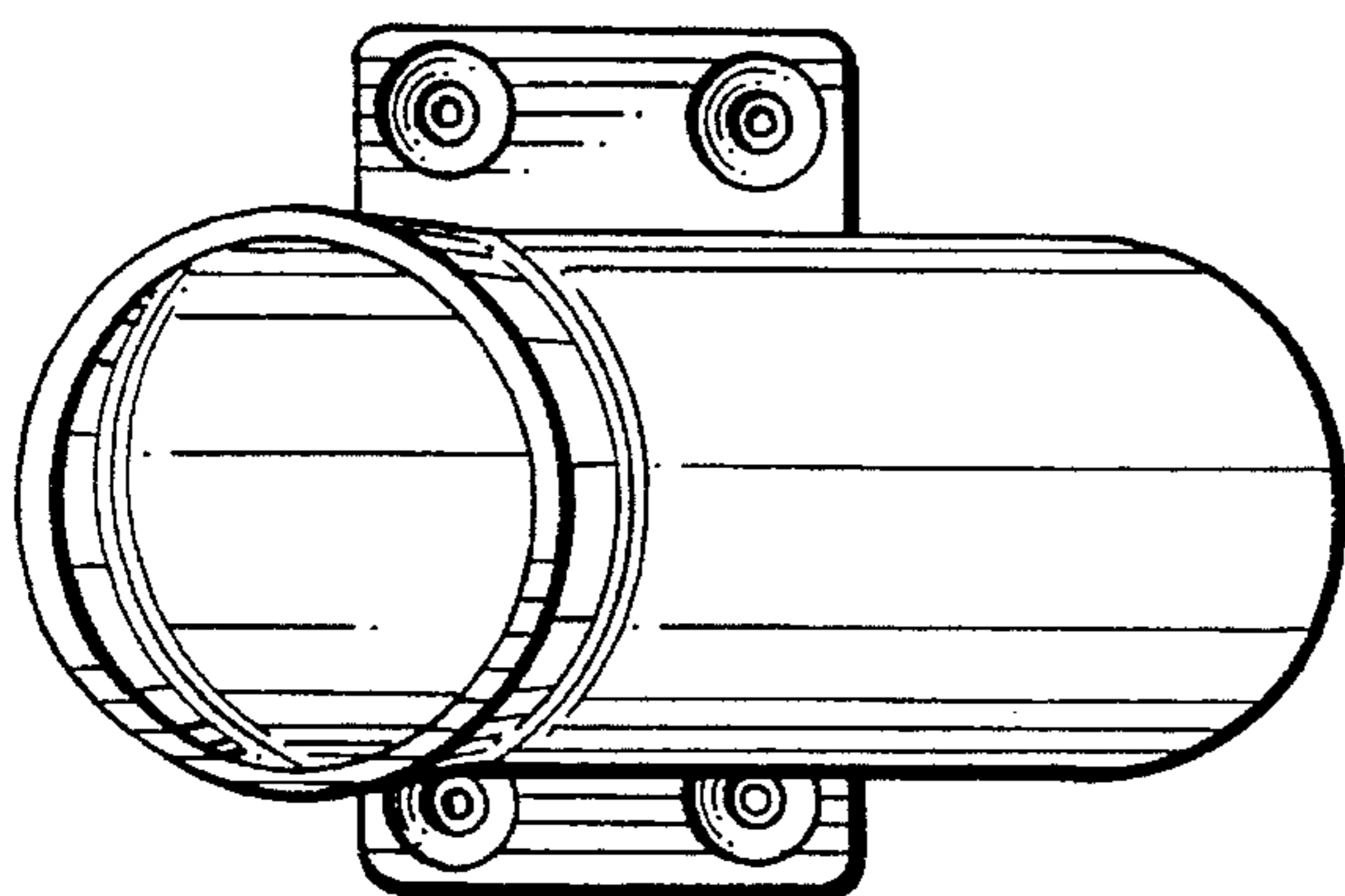


FIG. 7