



US00D377386S

**United States Patent** [19]  
**Yamaguchi**

[11] **Patent Number: Des. 377,386**

[45] **Date of Patent: \*\*Jan. 14, 1997**

[54] **LINE ROLLER FOR A SPINNING FISHING REEL**

[75] Inventor: **Kaname Yamaguchi**, Higashikurume, Japan

[73] Assignee: **Daiwa Seiko, Inc.**, Tokyo, Japan

[\*\*] Term: **14 Years**

[21] Appl. No.: **45,022**

[22] Filed: **Oct. 5, 1995**

[30] **Foreign Application Priority Data**

Apr. 6, 1995 [JP] Japan ..... 7-9565

[52] **U.S. Cl.** ..... **D22/141**

[58] **Field of Search** ..... D22/141; 242/230, 242/231, 233, 615.2, 157 R

[56] **References Cited**

**U.S. PATENT DOCUMENTS**

- D. 369,644 5/1996 Kaneko et al. .... D22/141
- D. 369,849 5/1996 Kaneko et al. .... D22/141
- 4,692,178 9/1987 Smith, Jr. et al. .... 242/157 R

*Primary Examiner*—Doris V. Coles  
*Attorney, Agent, or Firm*—Cushman Darby & Cushman IP Group of Pillsbury Madison & Sutro LLP

[57] **CLAIM**

The ornamental design for a line roller for a spinning fishing reel, as shown and described.

**DESCRIPTION**

FIG. 1 is a front and left side perspective view of a line roller for a spinning fishing reel, showing my new design;  
 FIG. 2 is a front elevational view thereof;  
 FIG. 3 is a left side elevational view thereof;  
 FIG. 4 is a right side elevational view thereof;  
 FIG. 5 is a cross sectional view taken on line 5—5 of FIG. 2;  
 FIG. 6 is a front and left side perspective view of the second embodiment;  
 FIG. 7 is a front elevational view thereof;  
 FIG. 8 is a left side elevational view thereof;  
 FIG. 9 is a right side elevational view thereof; and,  
 FIG. 10 is a cross sectional view taken on line 10—10 of FIG. 7.

**1 Claim, 2 Drawing Sheets**

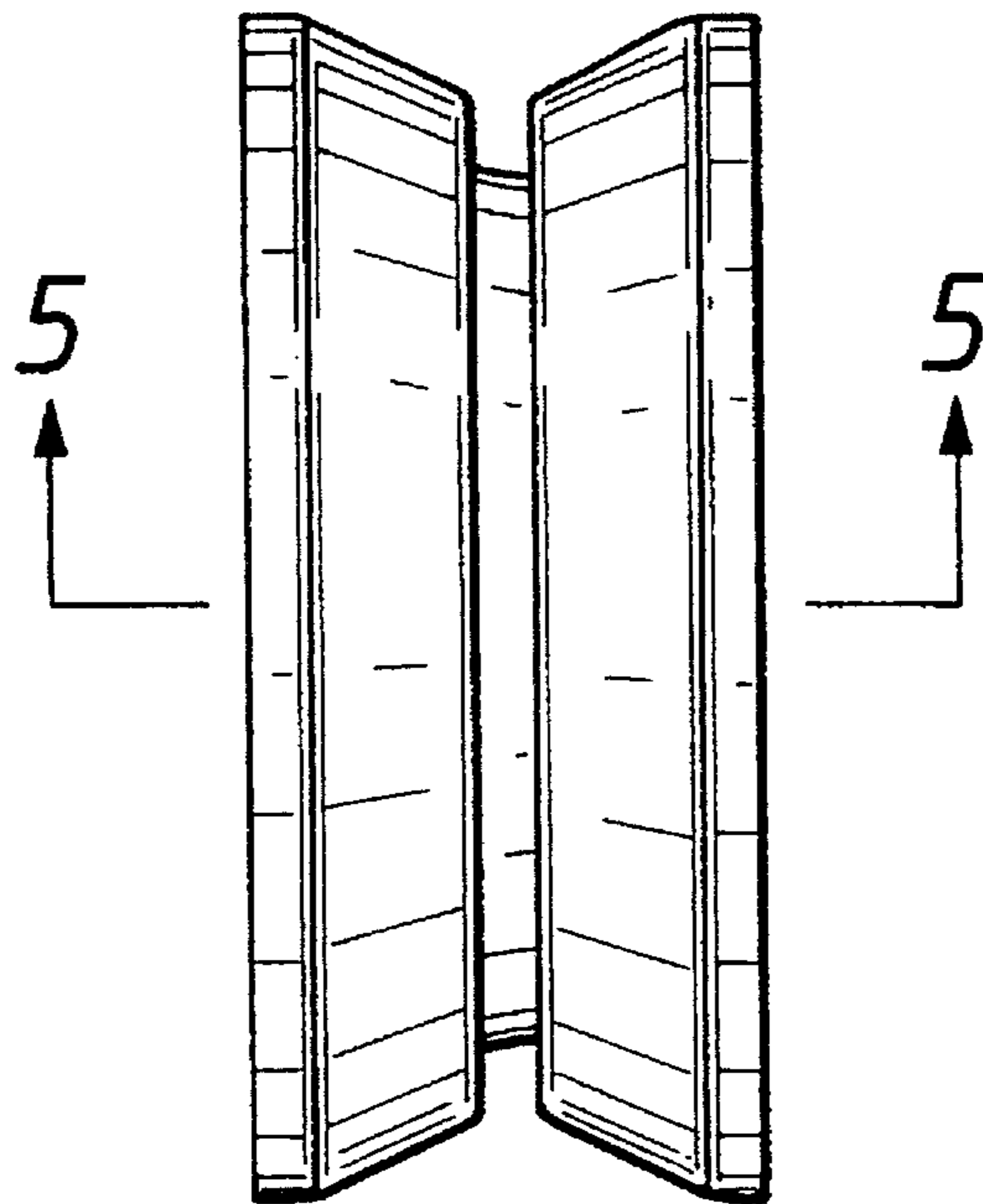


FIG. 1

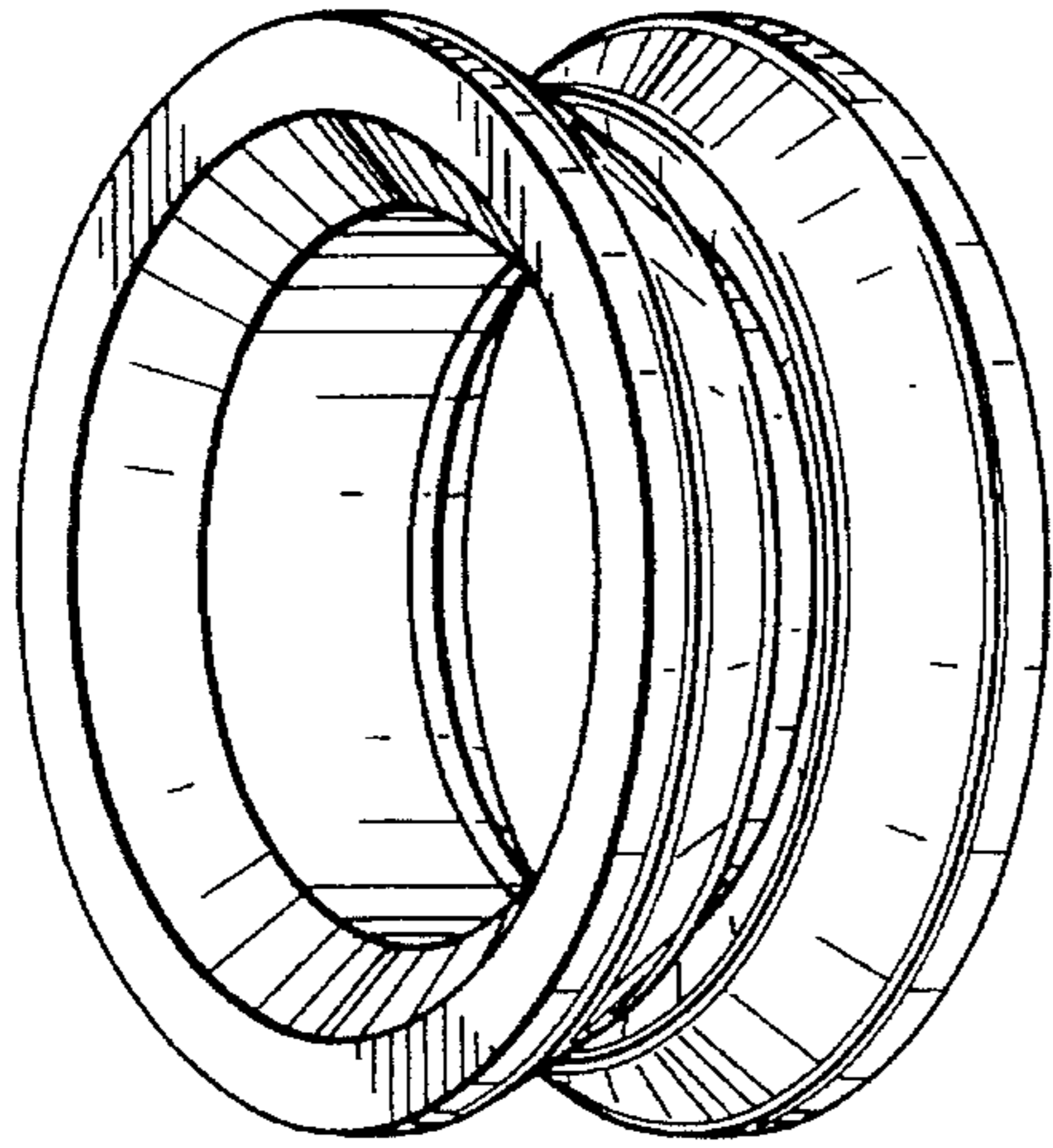


FIG. 2

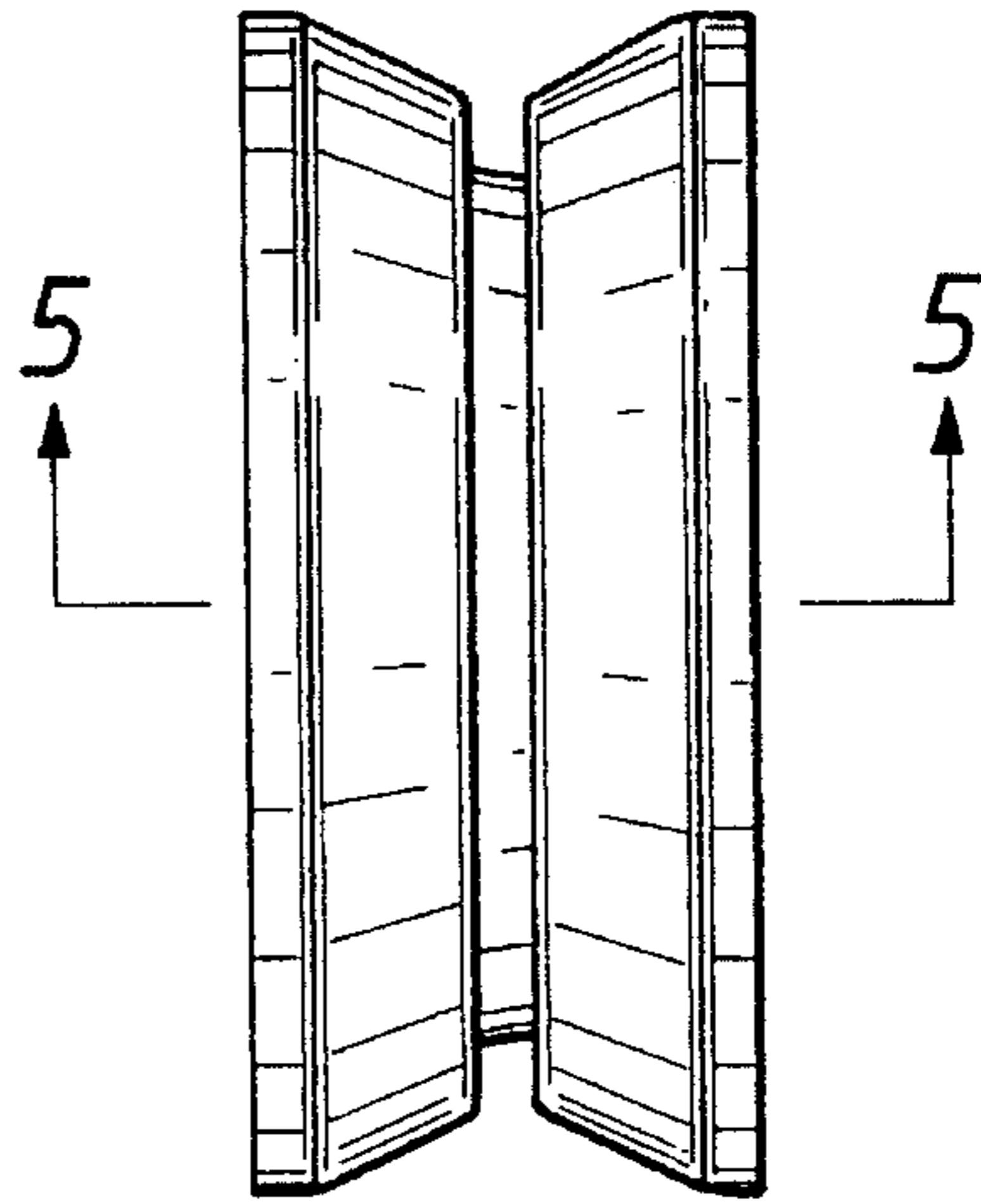


FIG. 3

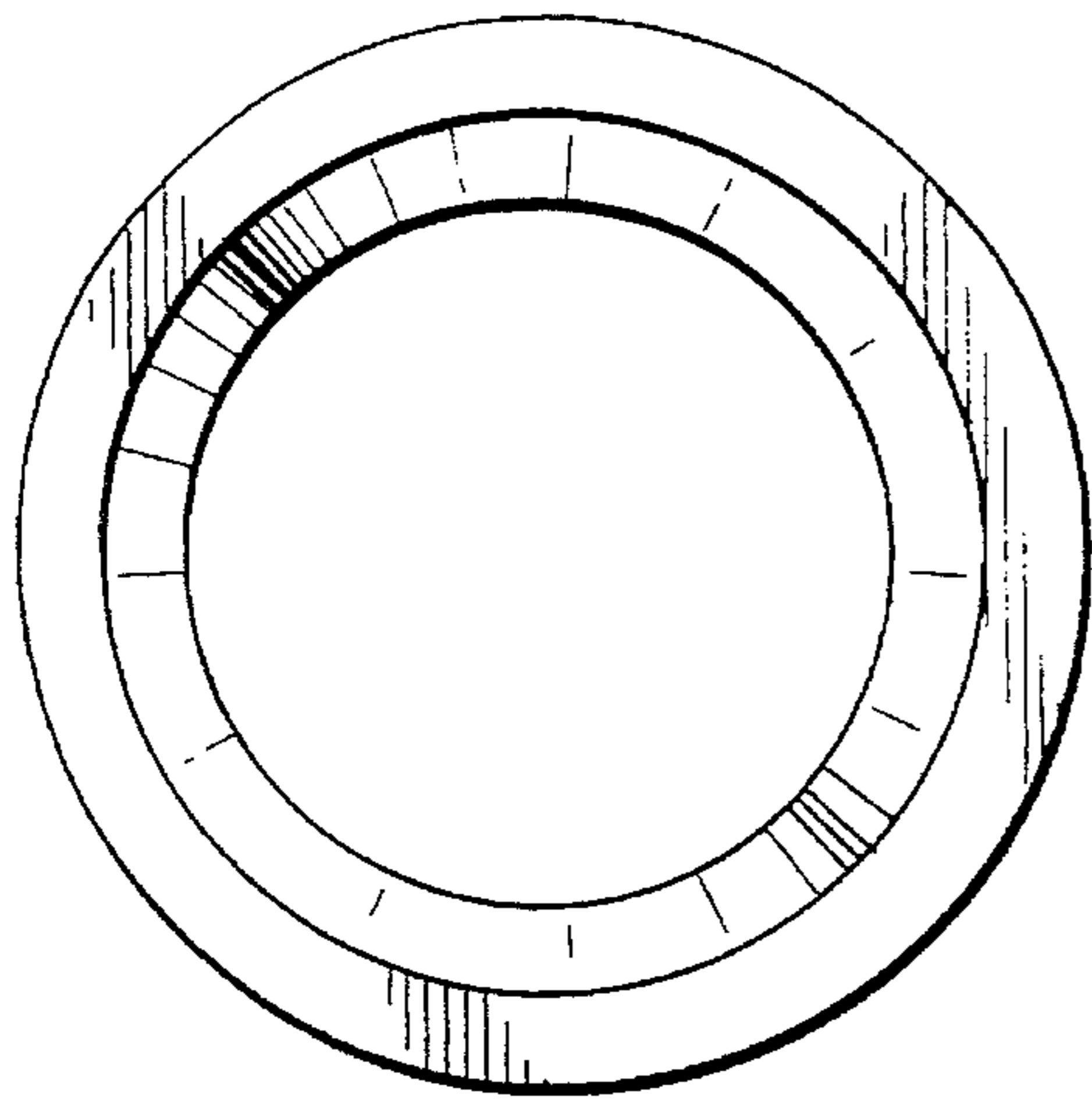


FIG. 4

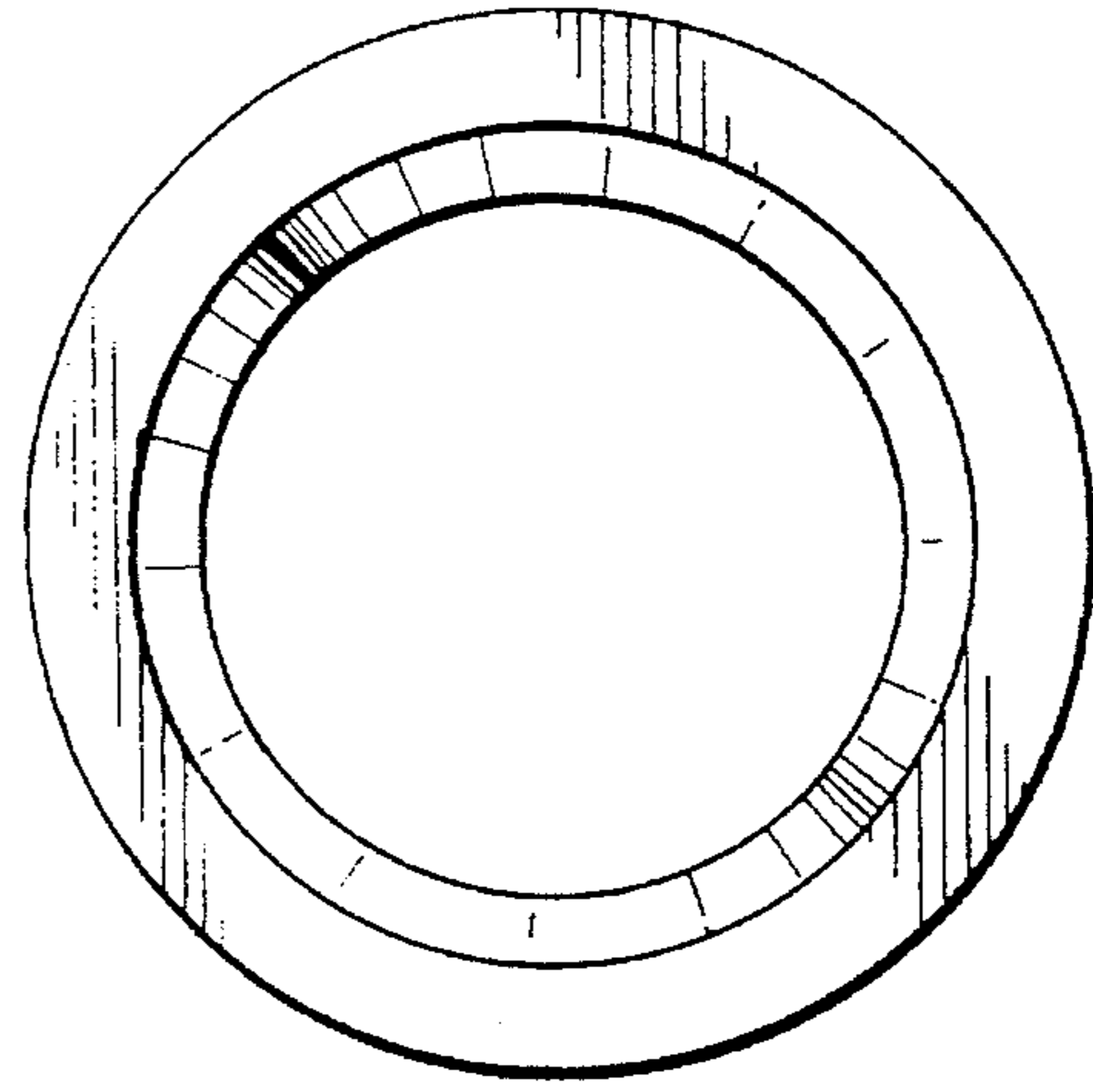


FIG. 5

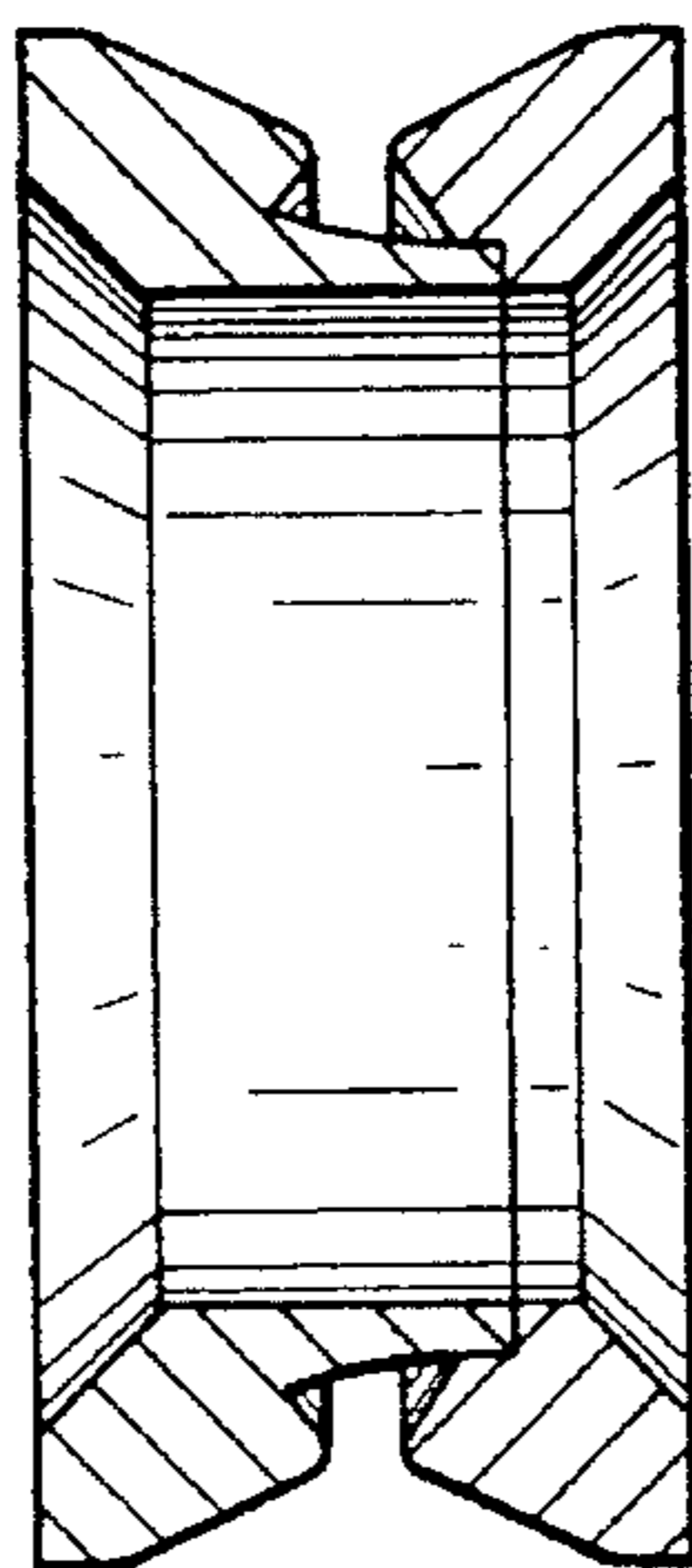


FIG. 6

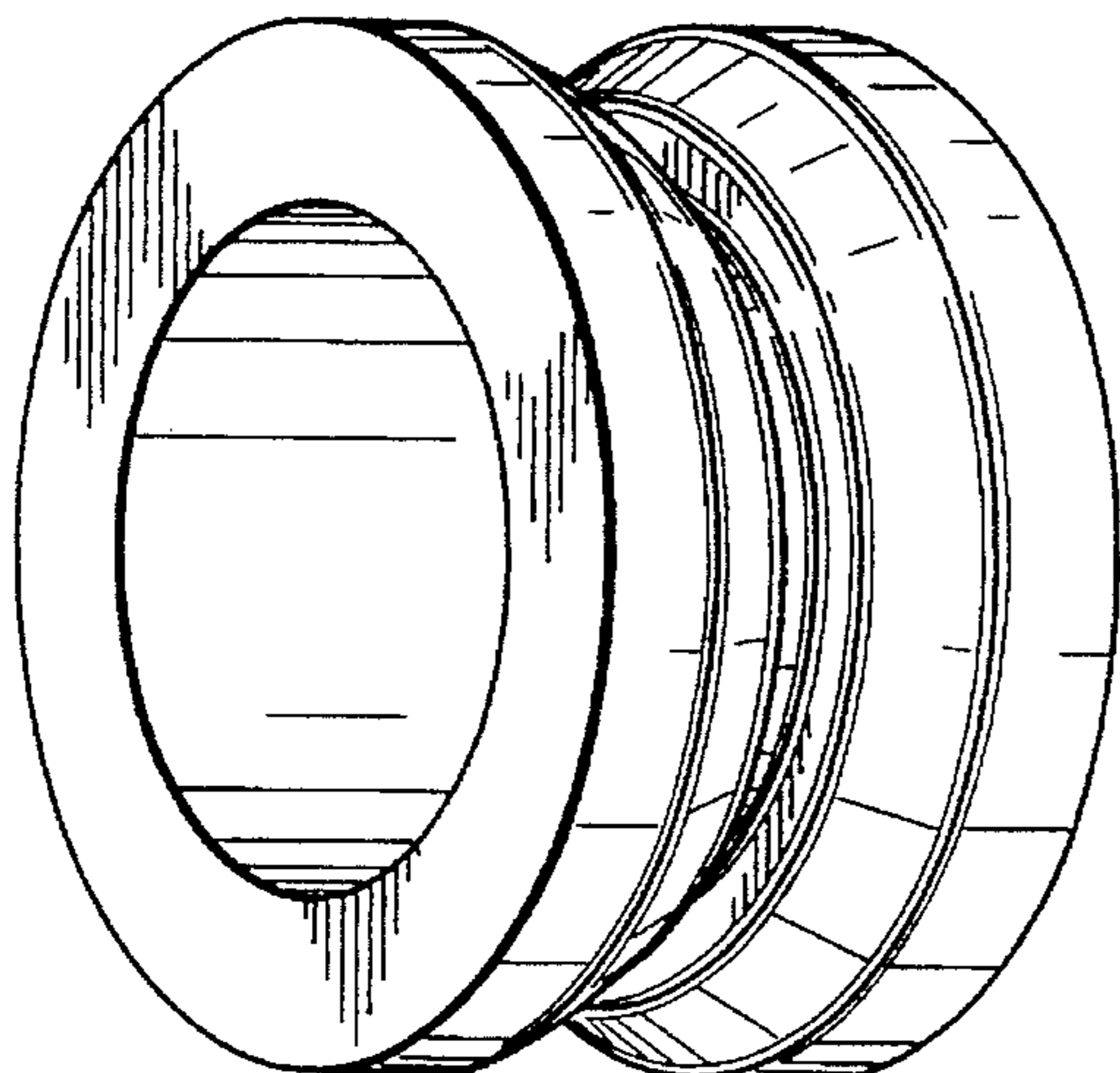


FIG. 7

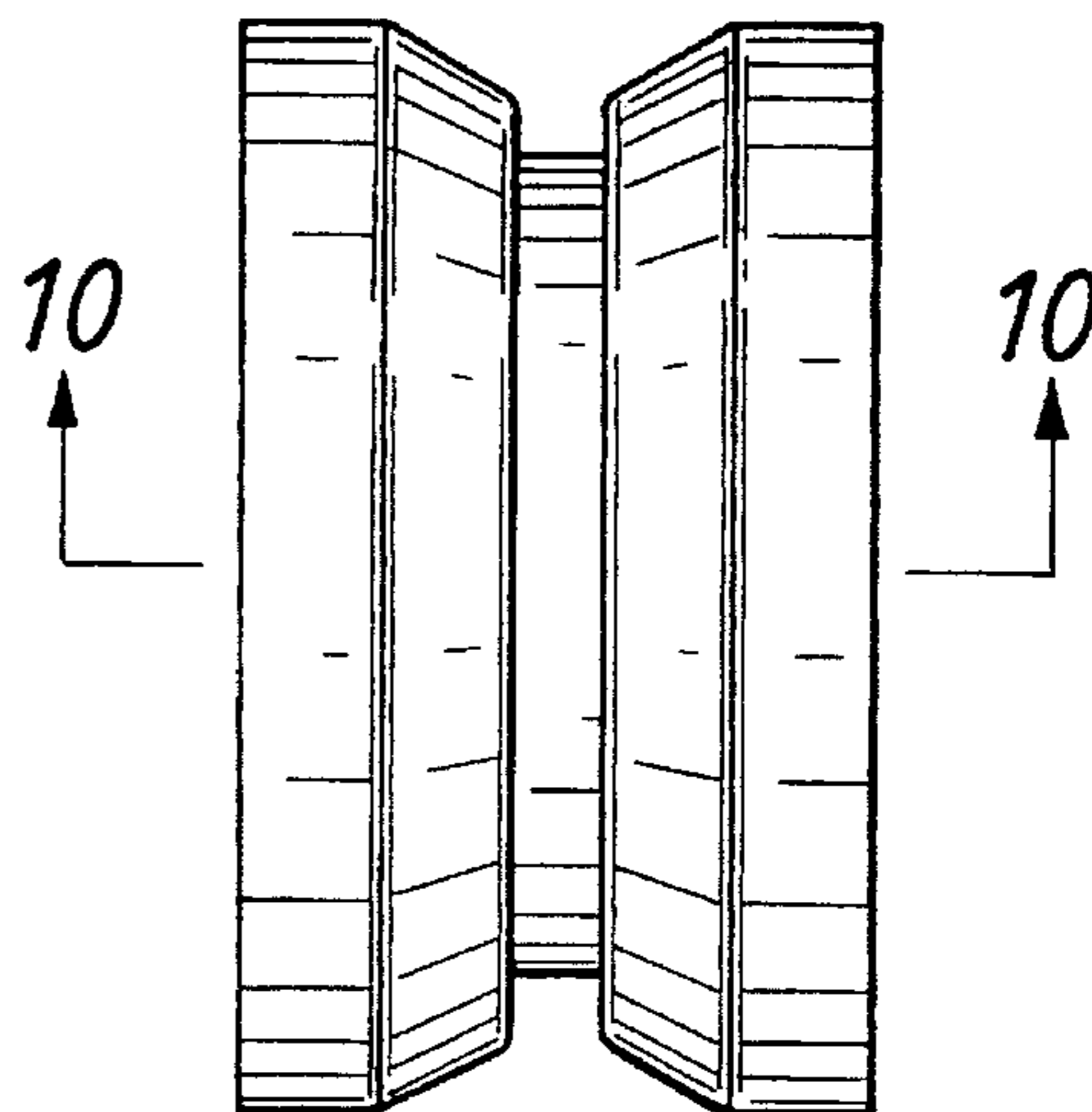


FIG. 8

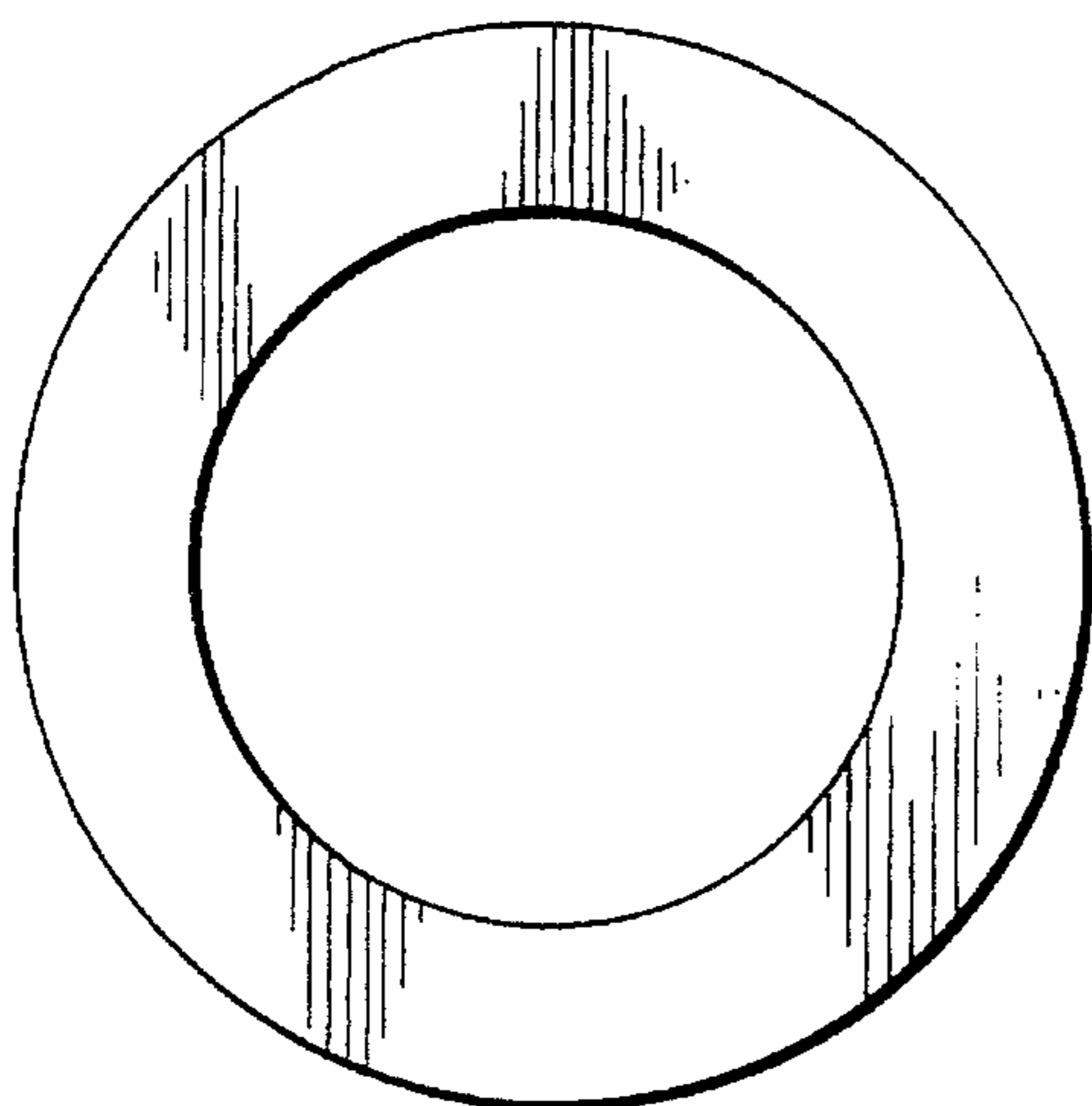


FIG. 9

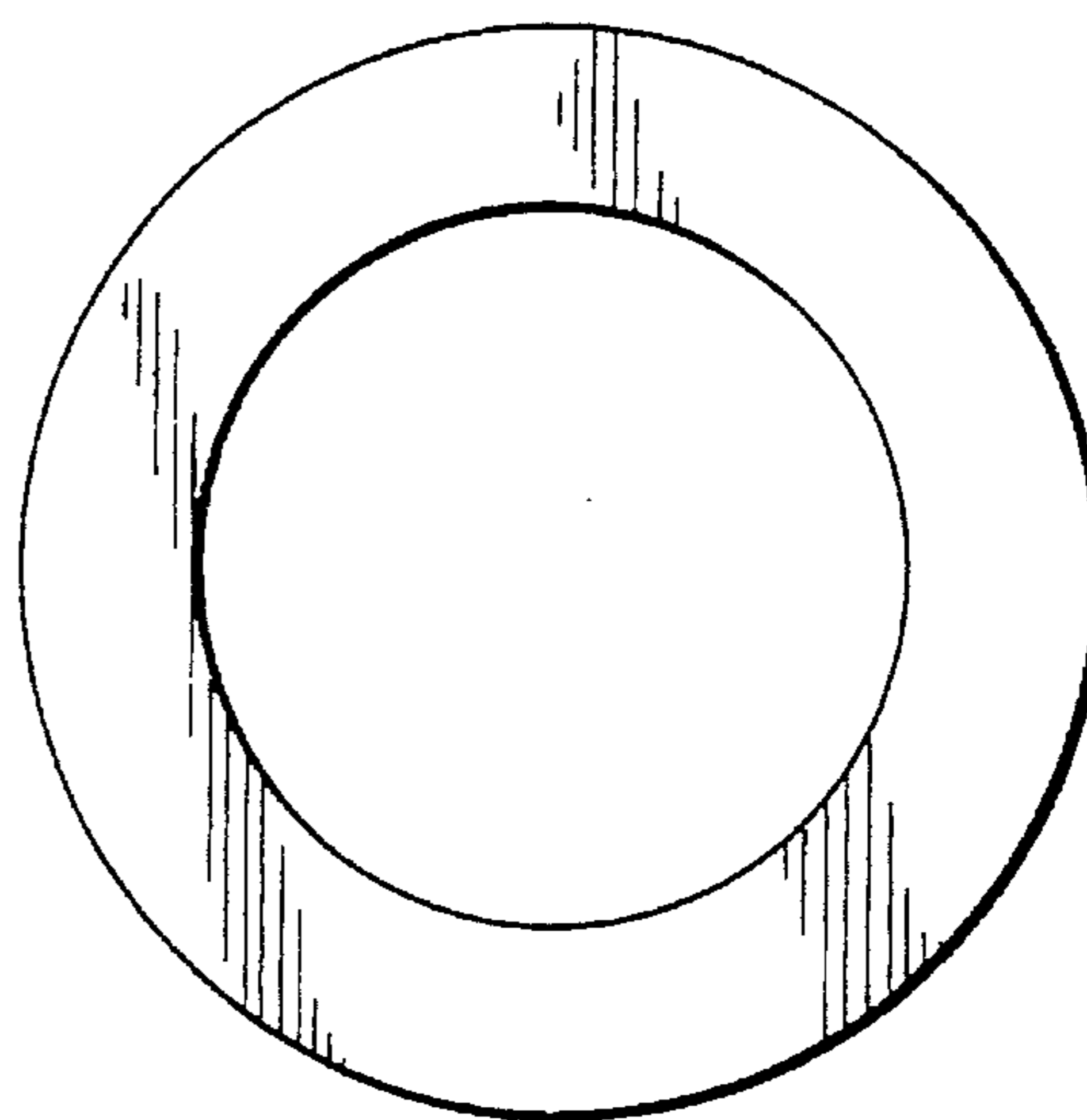


FIG. 10

