



US00D377385S

United States Patent [19] Jennings

[11] Patent Number: **Des. 377,385**

[45] Date of Patent: ****Jan. 14, 1997**

[54] ICE FISHING ROD

4,905,398 3/1990 Botbyl 43/20 X
5,197,218 3/1993 Legard 43/23

[76] Inventor: **Kim Jennings**, 3116 Meadowview, Lot 6, Jackson, Mich. 49201

Primary Examiner—Doris V. Coles
Attorney, Agent, or Firm—Harold H. Dutton, Jr.; W. Charles L. Jamison; Diane F. Liebman

[**] Term: **14 Years**

[21] Appl. No.: **47,614**

[57] **CLAIM**

[22] Filed: **Dec. 8, 1995**

The ornamental design for an ice fishing rod, as shown.

[52] U.S. Cl. **D22/138**

DESCRIPTION

[58] Field of Search D22/138, 137, D22/139, 142; 43/18.1, 20, 23, 19

FIG. 1 is a perspective view of an ice fishing rod showing my new design;
FIG. 2 is a front view thereof;
FIG. 3 is a rear view thereof;
FIG. 4 is a left side view thereof;
FIG. 5 is a right side view thereof;
FIG. 6 is a top view thereof; and,
FIG. 7 is a bottom view thereof.

[56] **References Cited**

U.S. PATENT DOCUMENTS

D. 228,550	10/1973	Kasper et al.	D22/138
D. 330,065	10/1992	Debreczeni	D22/138
3,020,666	2/1962	Hull	43/20
3,419,992	1/1969	Strahm	43/20 X
3,530,611	9/1970	Britt	43/20
3,557,483	1/1971	Wilson	43/20

1 Claim, 4 Drawing Sheets

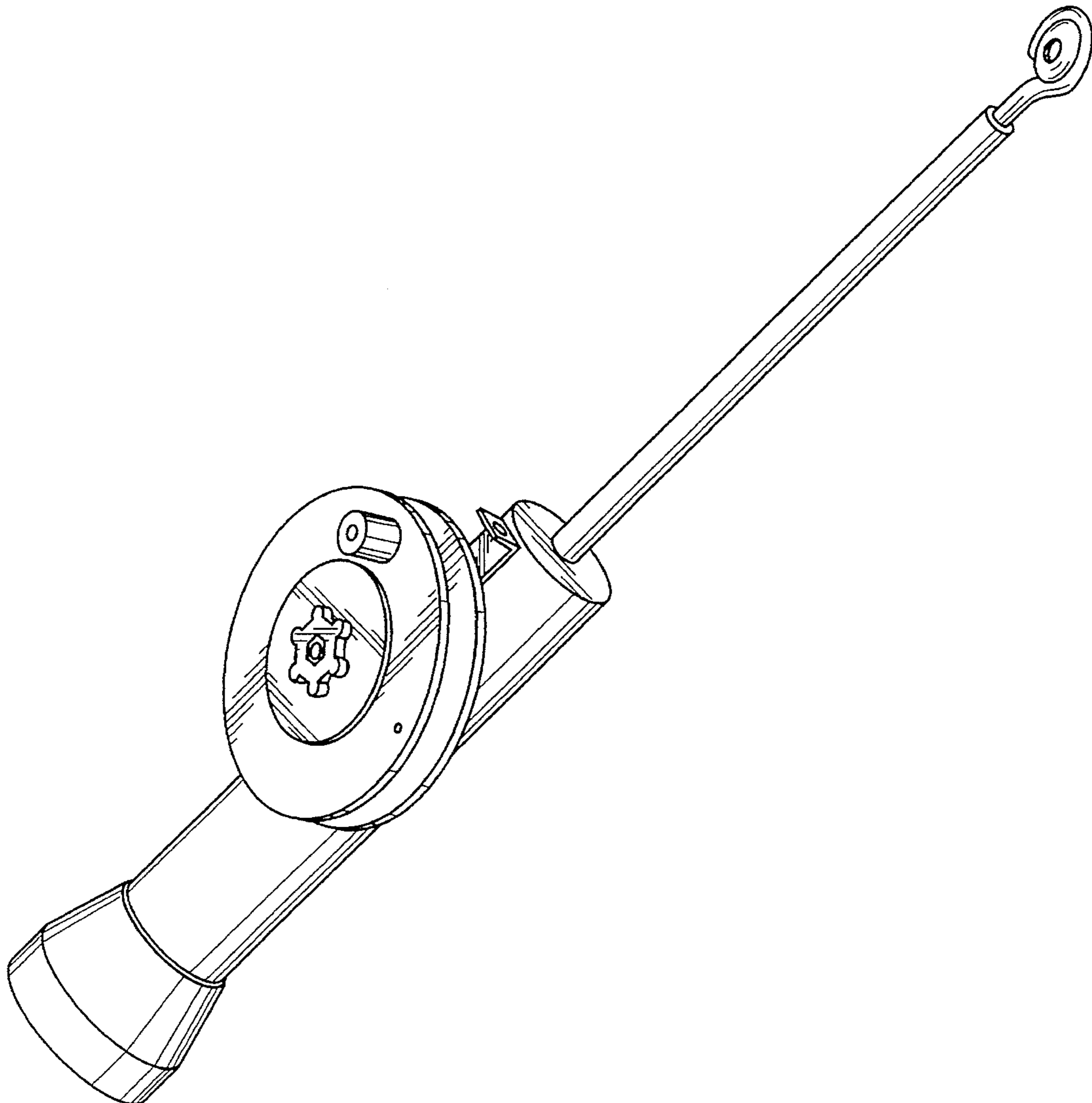
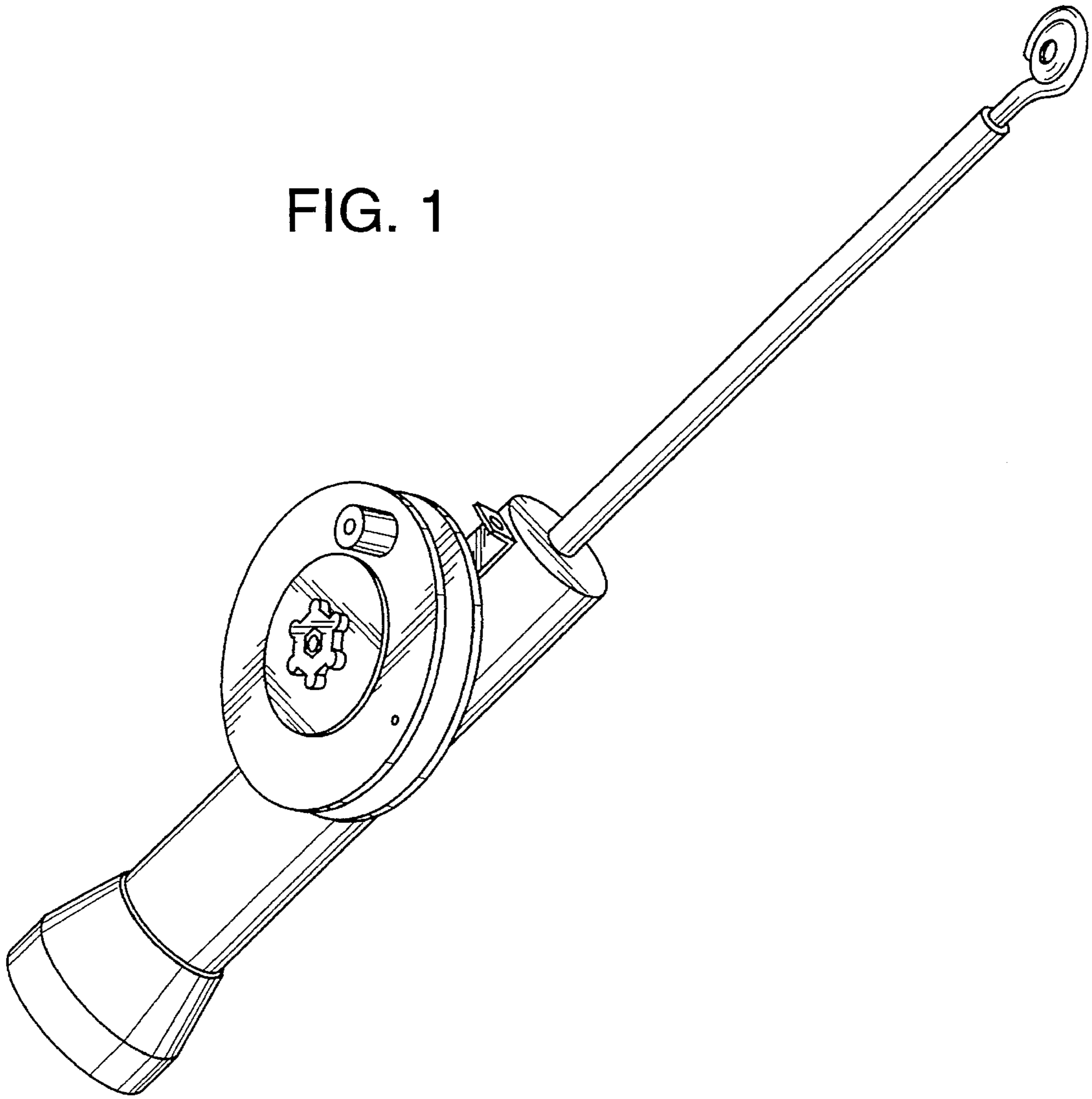


FIG. 1



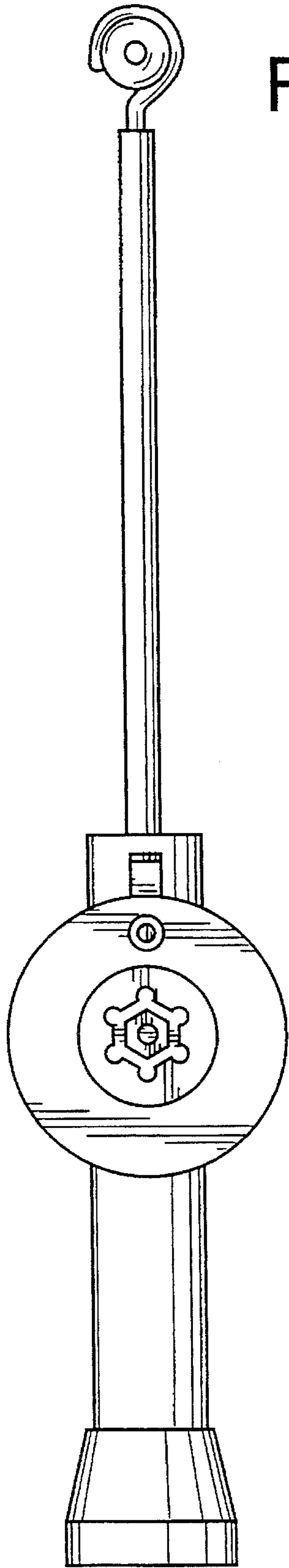
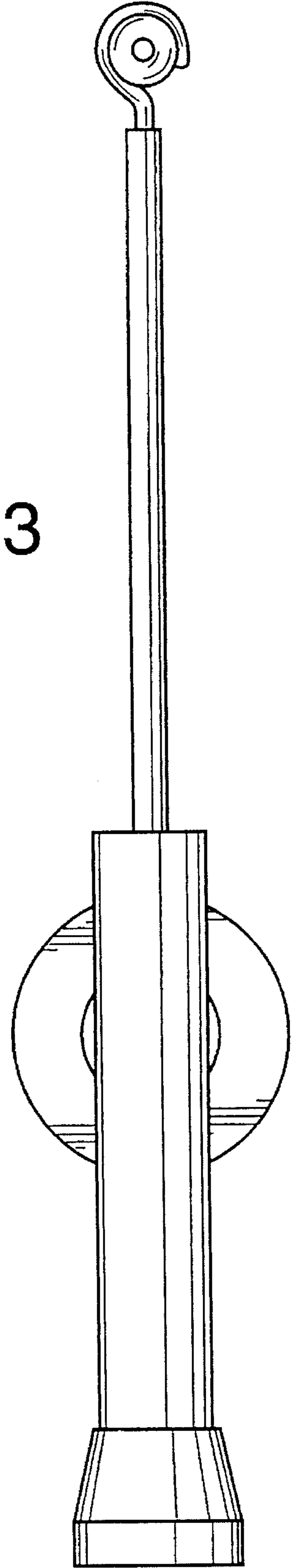


FIG. 3



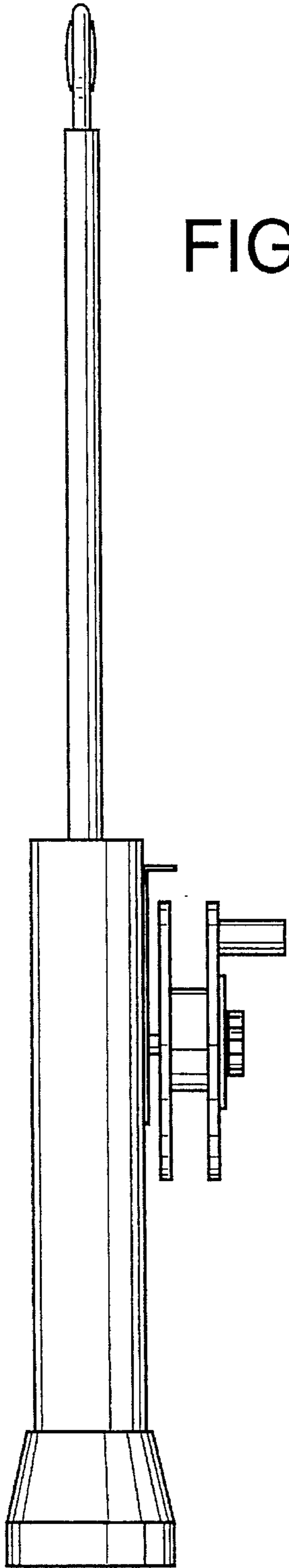


FIG. 4

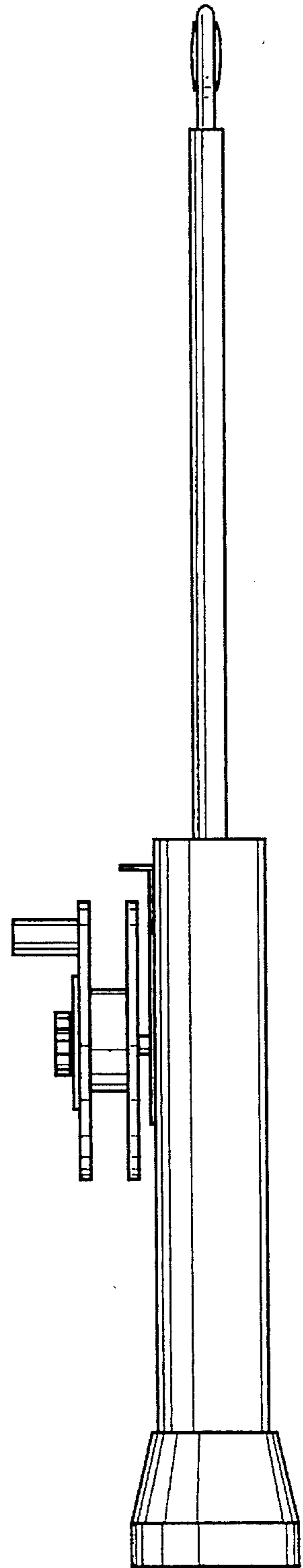


FIG. 5

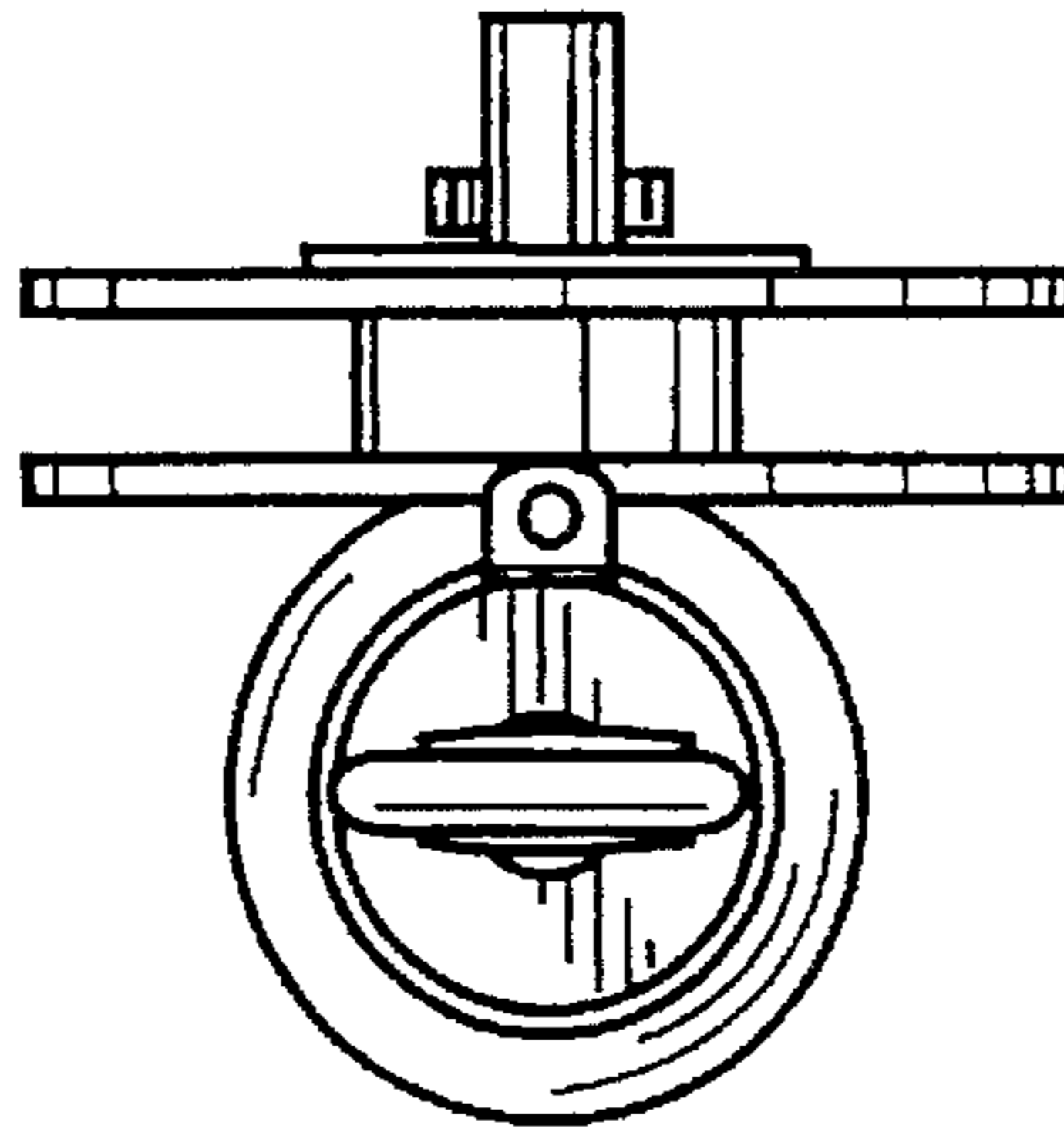


FIG. 6

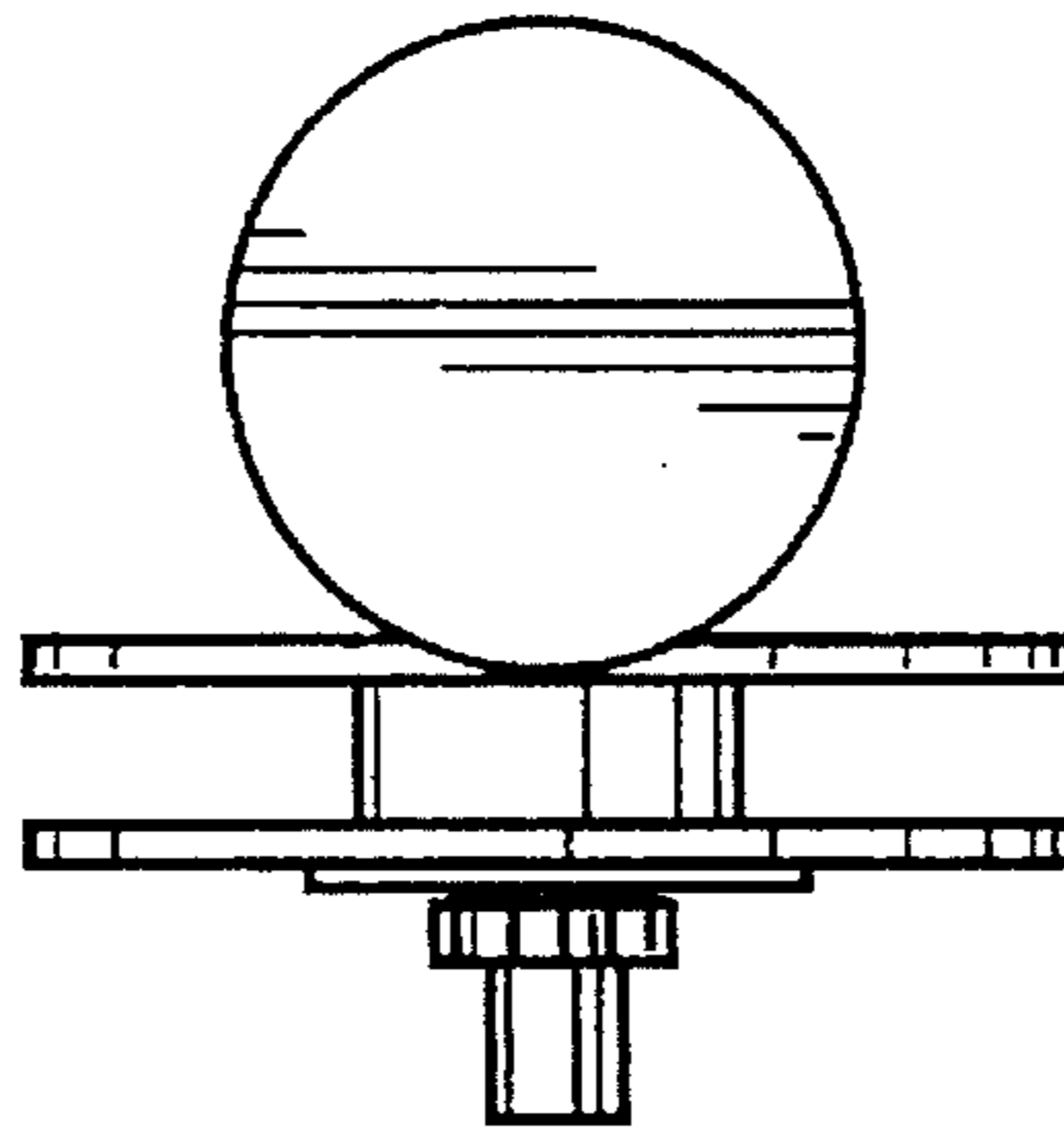


FIG. 7