



US00D377384S

United States Patent [19] Hill

[11] **Patent Number: Des. 377,384**

[45] **Date of Patent: **Jan. 14, 1997**

[54] **FISHING LURE**

[76] **Inventor: David W. Hill, 3002 W. Madison St.,
Springfield, Mo. 65802**

[**] **Term: 14 Years**

[21] **Appl. No.: 42,508**

[22] **Filed: Aug. 11, 1995**

[52] **U.S. Cl. D22/133**

[58] **Field of Search D22/126, 128,
D22/129, 131, 133; 43/15, 42.06, 42.22,
42.47, 42.14, 42.21, 42.35, 42.45, 42.28,
42.39**

[56] **References Cited**

U.S. PATENT DOCUMENTS

2,573,215	10/1951	Murphy	43/42.46
2,937,467	5/1960	Capps	43/42.06
3,344,550	10/1967	Peters	D22/129 X
3,878,634	4/1975	Quimpo	43/15
4,667,434	5/1987	Newell	43/42.47

5,115,592	5/1992	Renaud	43/42.47
5,170,579	12/1992	Hollinger	43/42.22 X
5,182,875	2/1993	Righetti	43/42.47 X

Primary Examiner—Doris V. Coles
Attorney, Agent, or Firm—James A. Hudak

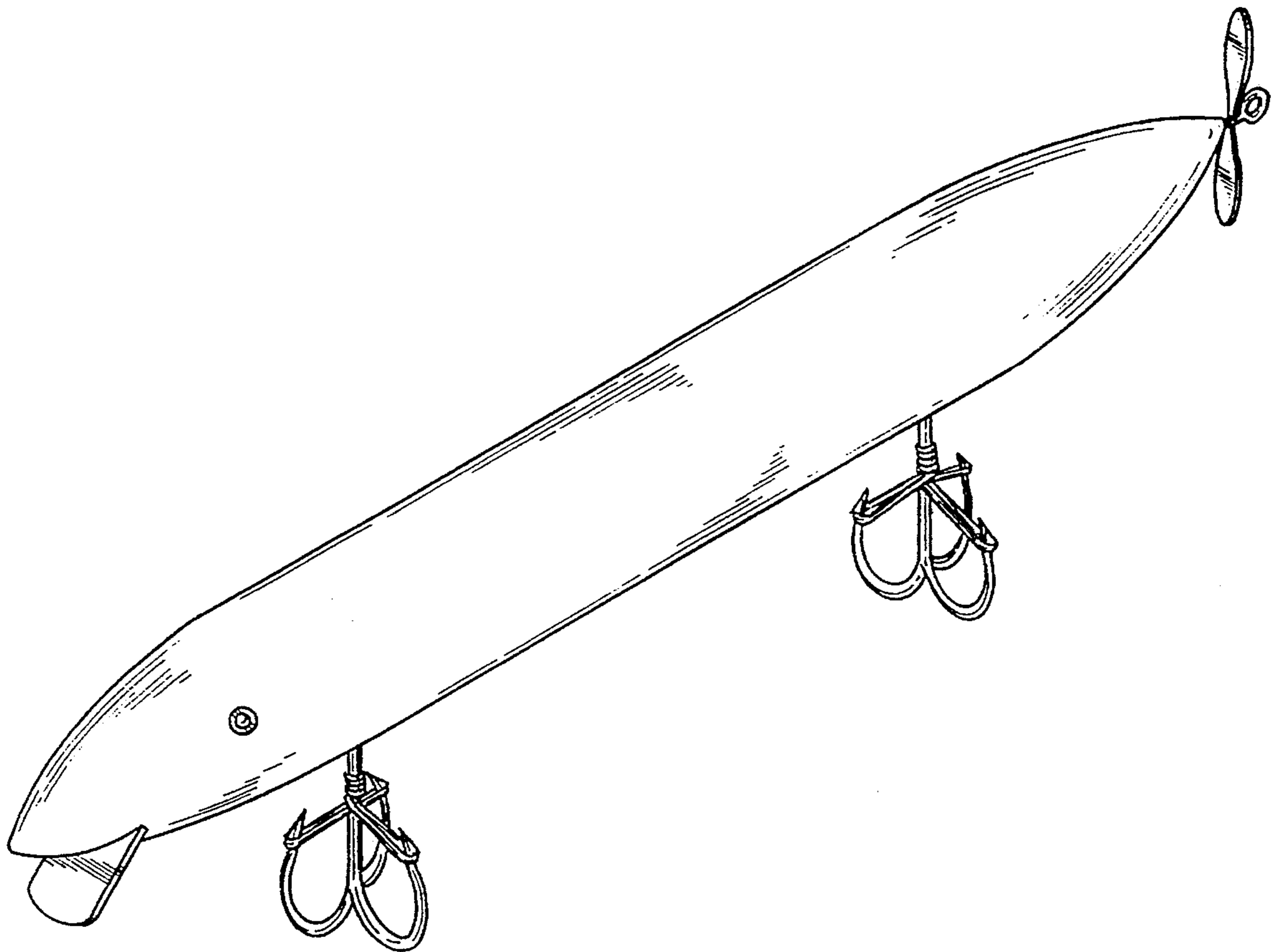
[57] **CLAIM**

The ornamental design for a fishing lure, as shown and described.

DESCRIPTION

FIG. 1 is a perspective view of the fishing lure showing my new design;
FIG. 2 is a front elevational view thereof;
FIG. 3 is a rear elevational view thereof;
FIG. 4 is a right side elevational view thereof, the left side elevational view being a mirror image of the view shown in this Figure;
FIG. 5 is a top plan view thereof; and,
FIG. 6 is a bottom plan view thereof.

1 Claim, 3 Drawing Sheets



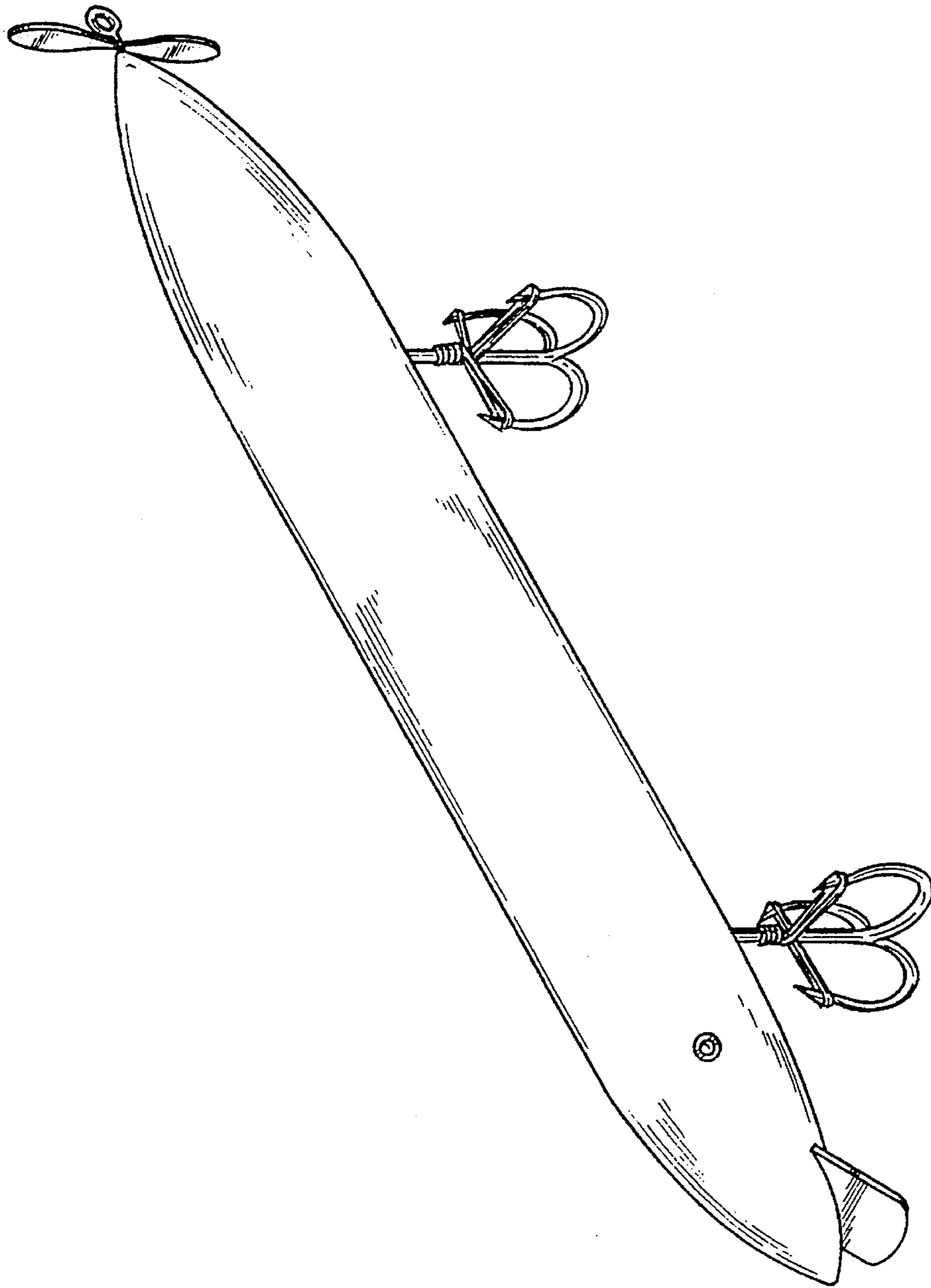


FIG. 1

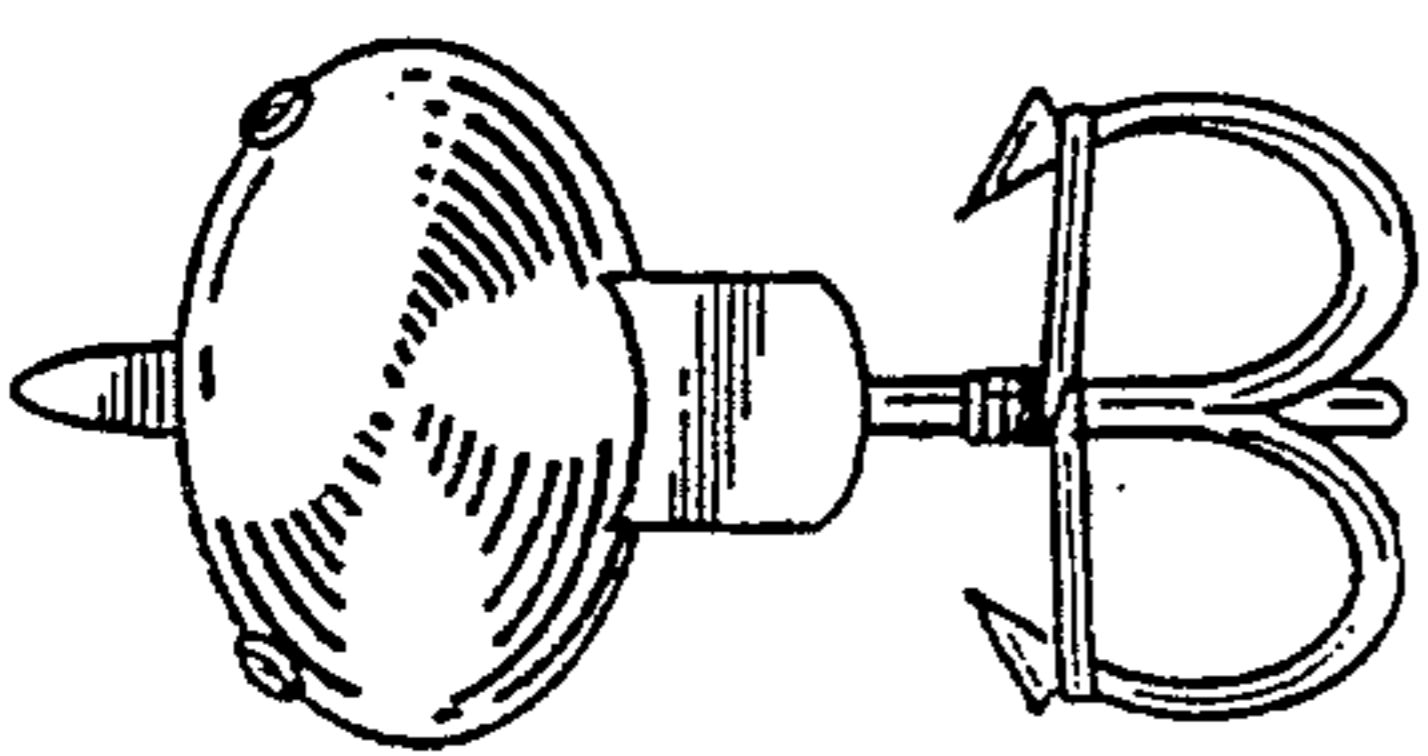


FIG. 2

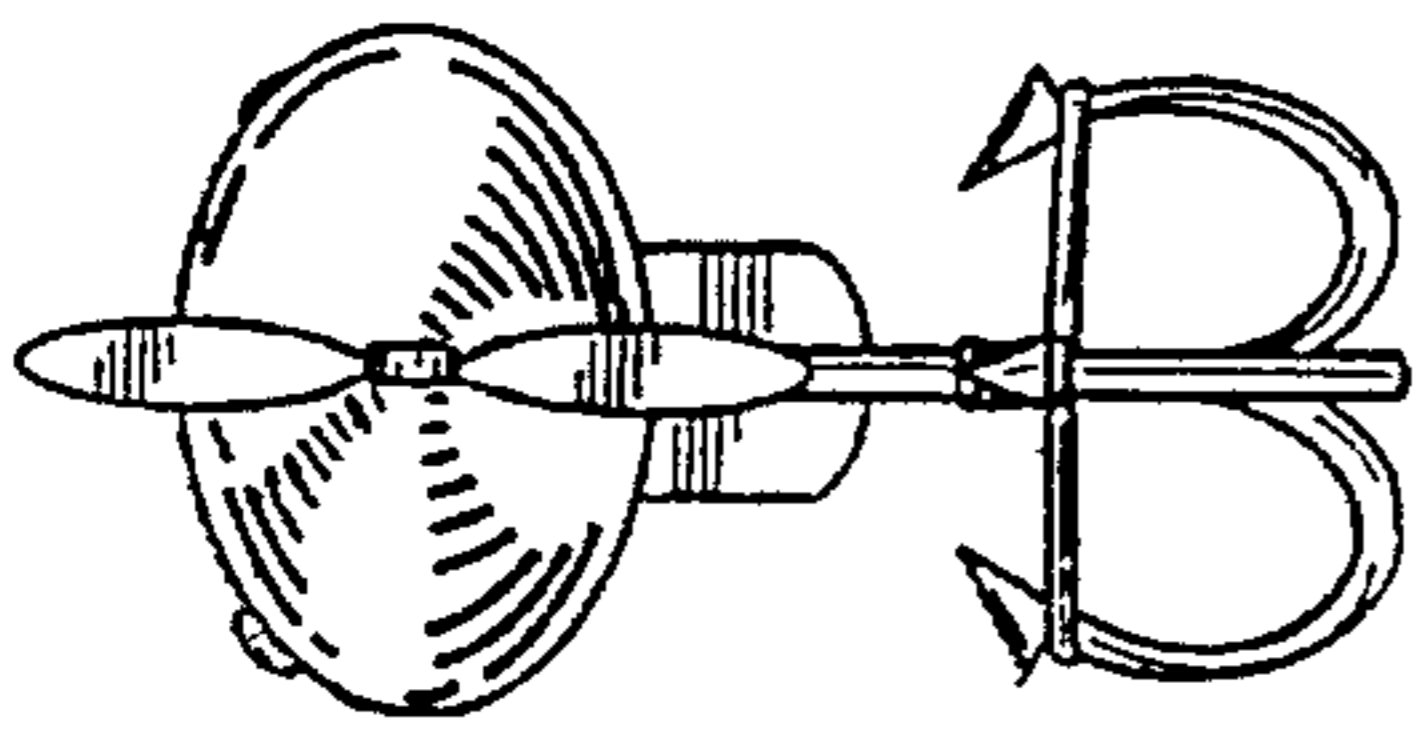


FIG. 3

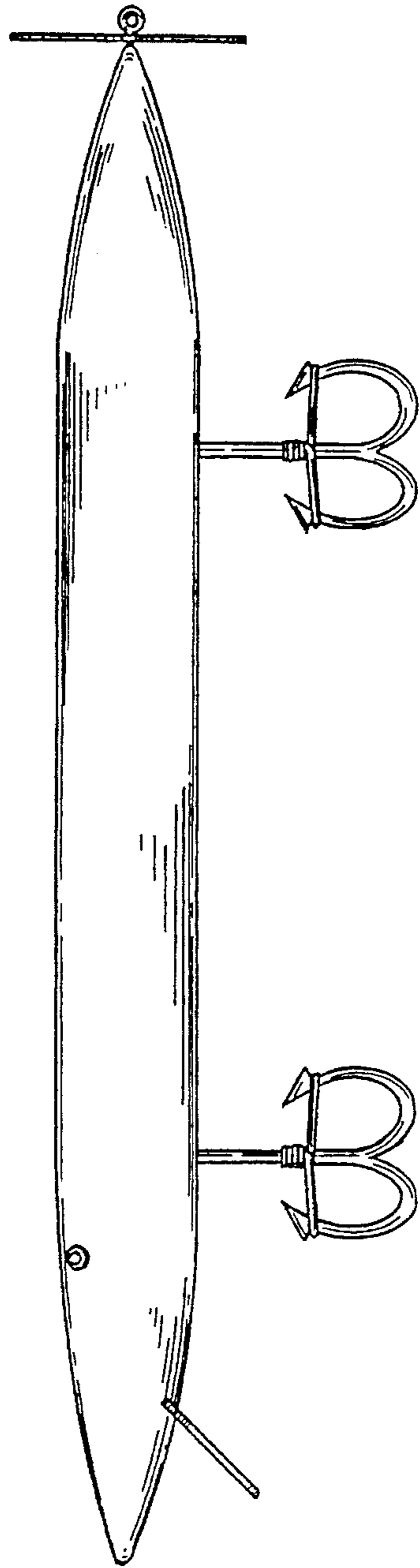


FIG. 4

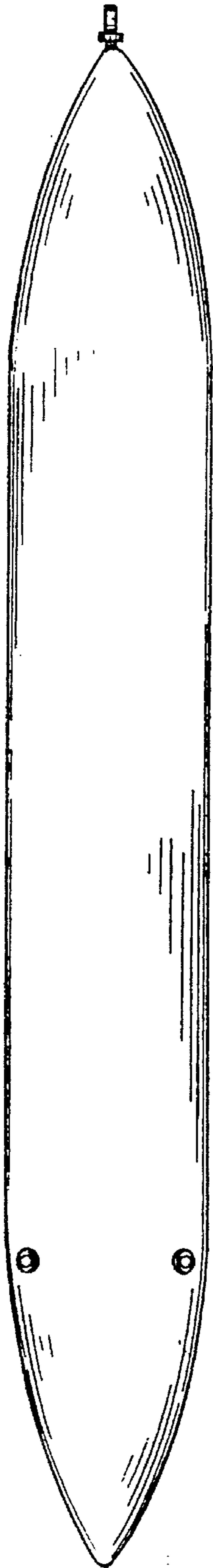


FIG. 5

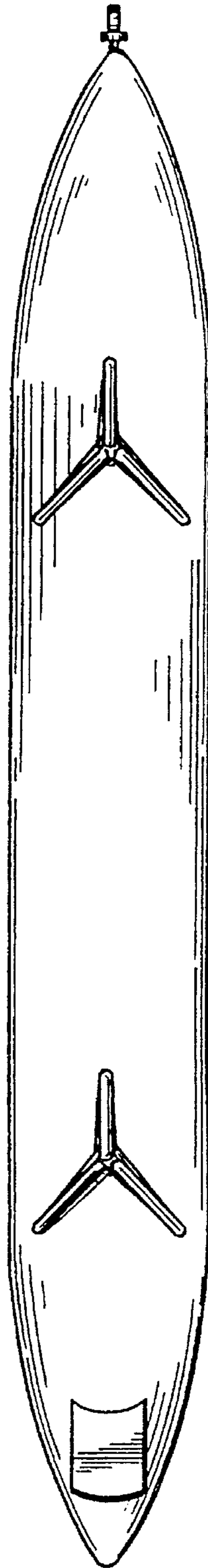


FIG. 6