



US00D377383S

United States Patent [19]

Morocco

[11] Patent Number: **Des. 377,383**

[45] Date of Patent: ****Jan. 14, 1997**

[54] **TURKEY CALL GUN MOUNTING CLIP**

[76] Inventor: **Steven A. Morocco**, 131 Stoy Rd.,
Somerset, Pa. 15501

[**] Term: **14 Years**

[21] Appl. No.: **39,305**

[22] Filed: **May 22, 1995**

[52] U.S. Cl. **D22/108**; D22/199; D10/119

[58] Field of Search D22/100, 107,
D22/199; 446/202, 204; D10/119; 116/137 R;
D21/64; 42/102

[56] **References Cited**

U.S. PATENT DOCUMENTS

217,851	7/1879	Barnes	116/137 R
D. 369,757	5/1996	Card	D10/119
873,289	12/1907	Bartholomew	446/206
1,133,713	3/1915	Dressler	446/206
1,856,625	5/1932	Dressler	446/206
4,614,503	9/1986	Skoda	446/202 X
4,941,277	7/1990	Lawlor	42/102 X

Primary Examiner—Doris V. Coles
Assistant Examiner—Monica A. Hannon
Attorney, Agent, or Firm—Jon M. Lewis

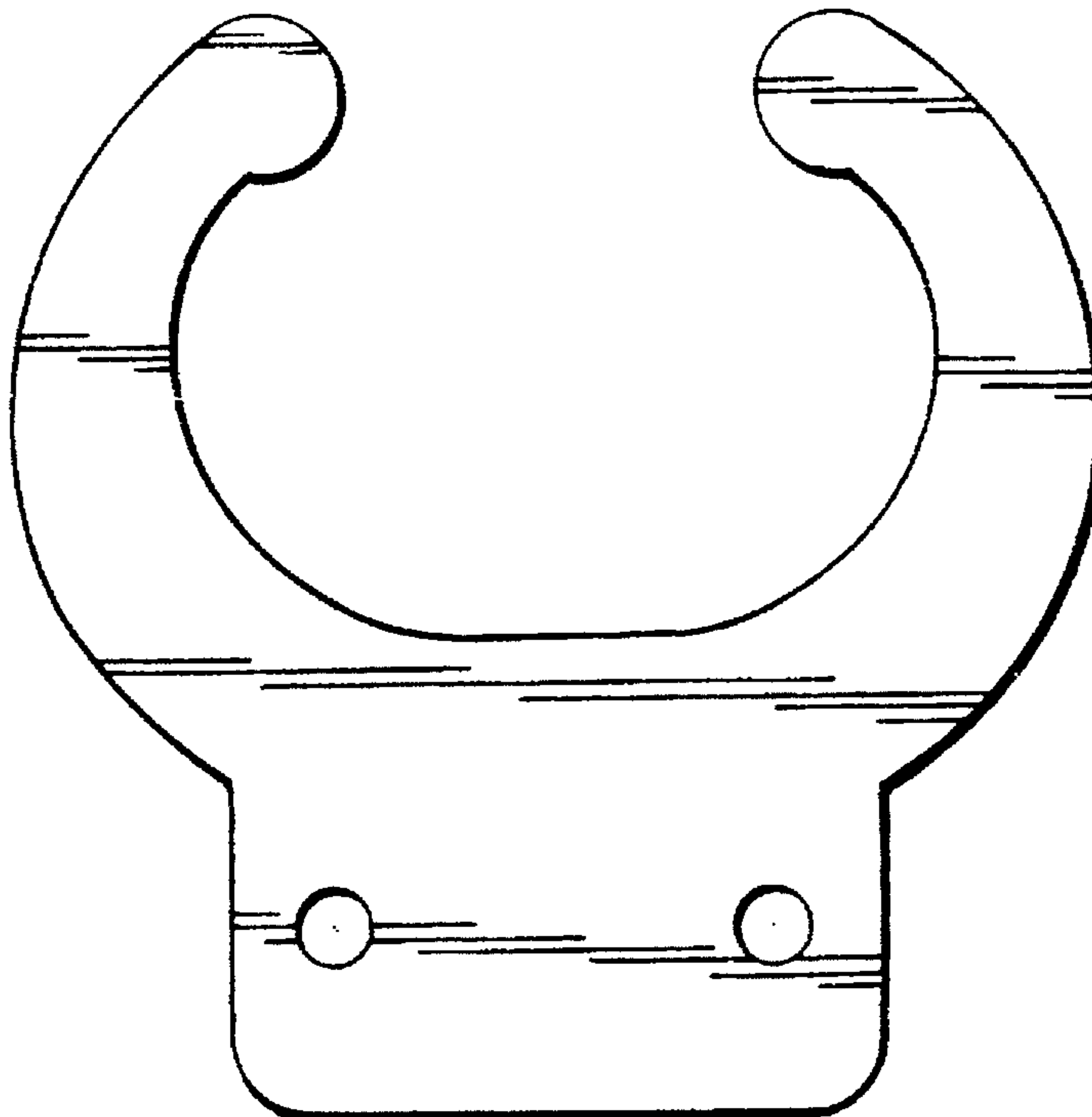
[57] **CLAIM**

The ornamental design for a turkey call gun mounting clip,
as shown.

DESCRIPTION

FIG. 1 is a front view of the turkey call gun mounting clip
of the present invention;
FIG. 2 is a left side view of the turkey call gun mounting clip
according to my invention;
FIG. 3 is a bottom view of the turkey call gun mounting clip
according to my invention;
FIG. 4 is a top view of the turkey call gun mounting clip
according to my invention;
FIG. 5 is a right side view of the turkey call gun mounting
clip according to my invention; and,
FIG. 6 is a back view of the turkey call gun mounting clip
according to my invention.

1 Claim, 1 Drawing Sheet



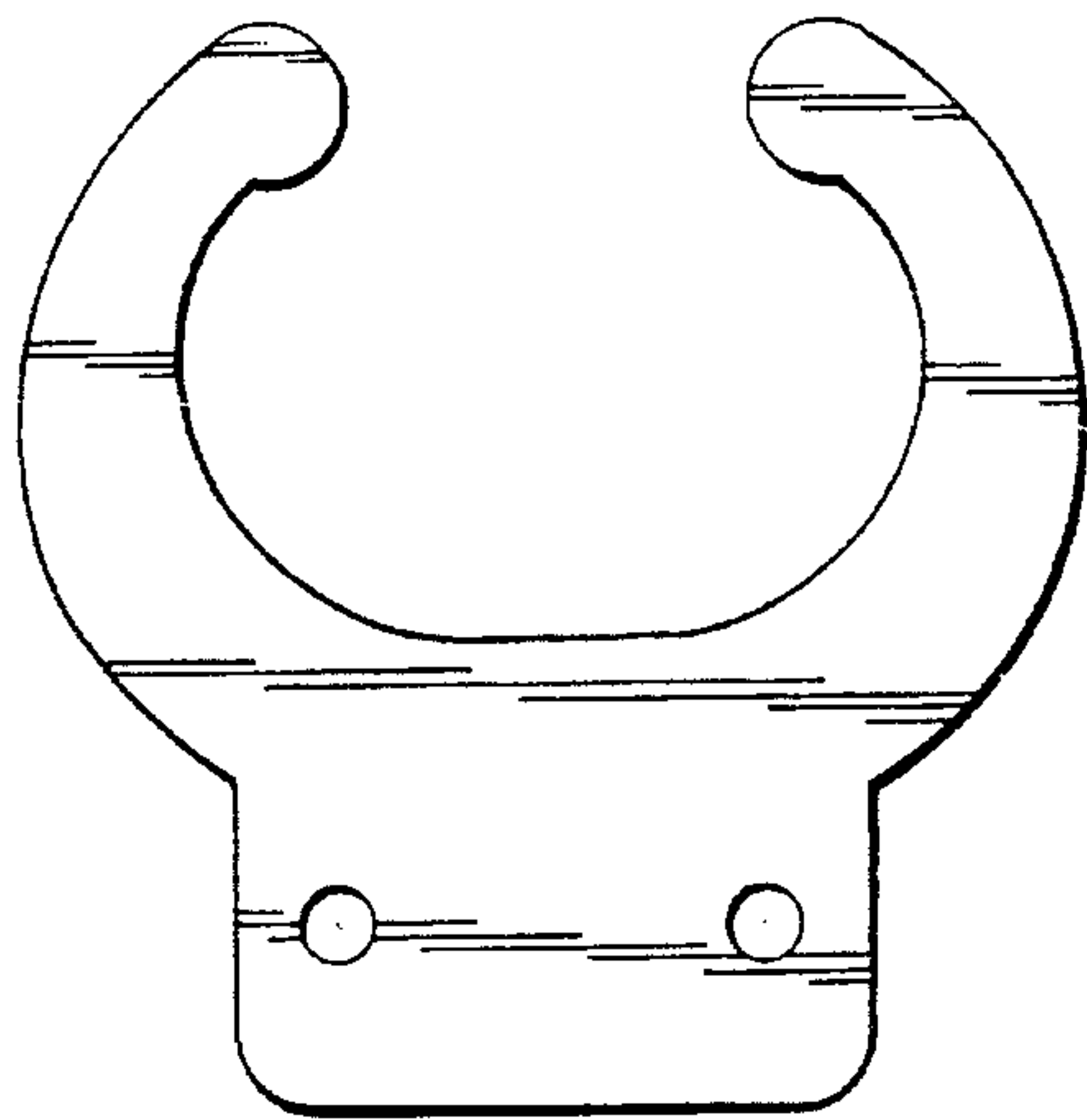


Fig. 1

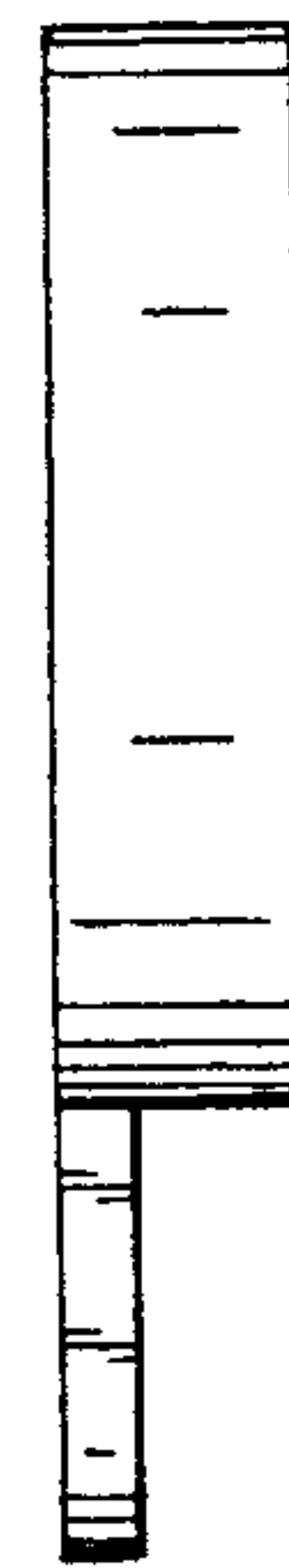


Fig. 2

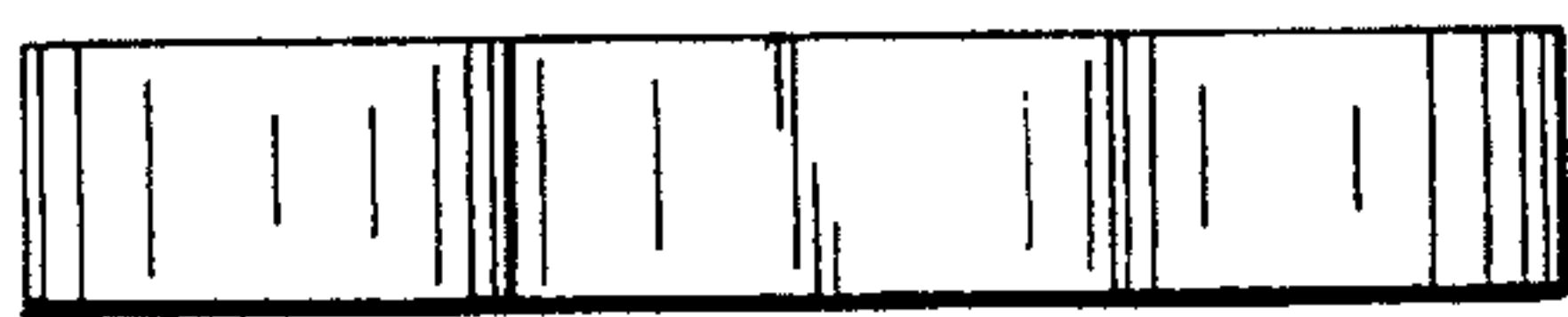


Fig. 3



Fig. 4

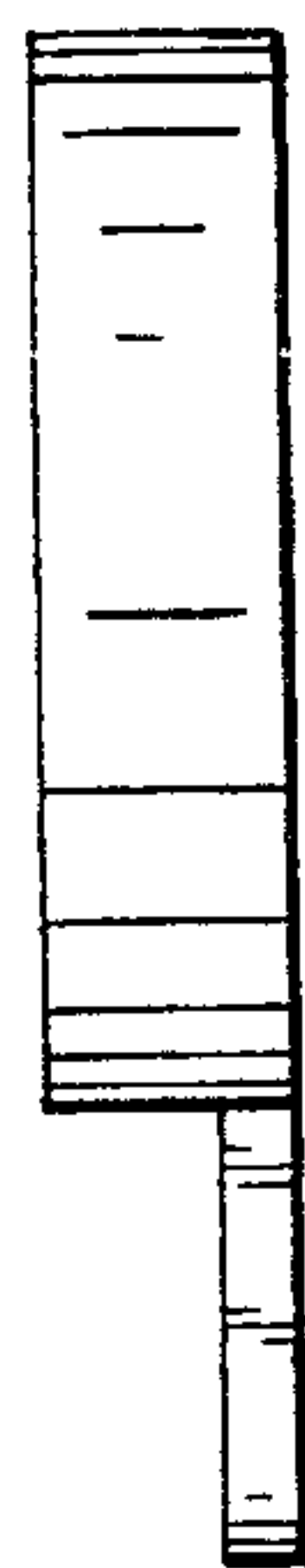


Fig. 5

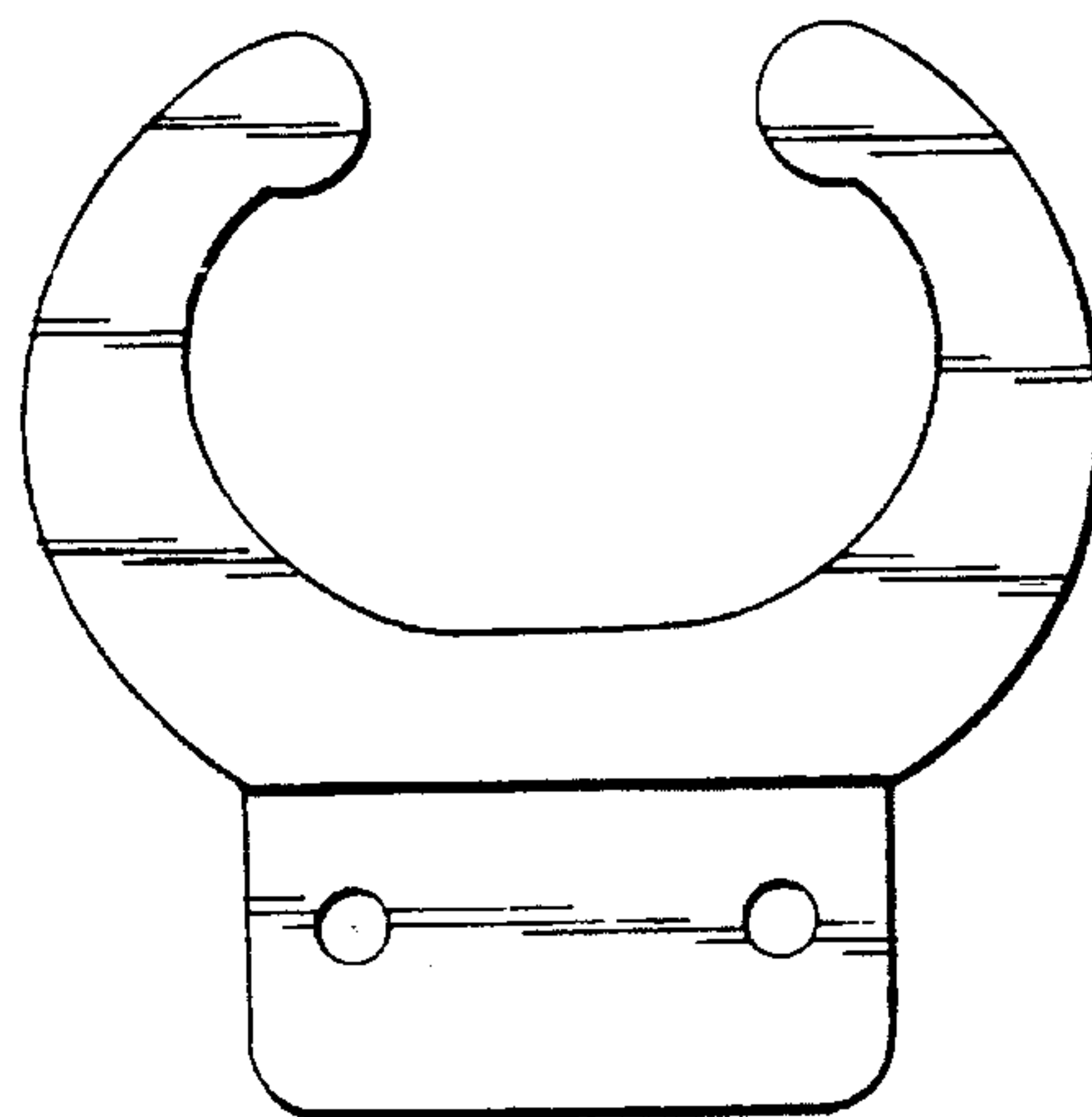


Fig. 6