



US00D377375S

# United States Patent [19]

Liu

[11] Patent Number: **Des. 377,375**

[45] Date of Patent: **\*\*Jan. 14, 1997**

[54] **BABY CART**

[76] Inventor: **Pao-Yu Liu**, 6F., 218, Ta-Tung Rd., Sec. 3, Shi-Chi Chen, Taipei Hsien, Taiwan

[\*\*] Term: **14 Years**

[21] Appl. No.: **43,584**

[22] Filed: **Sep. 7, 1995**

[52] U.S. Cl. .... **D21/75; D12/130**

[58] Field of Search ..... D21/71-81, 128, D21/131-140, 59, 70, 148, 165; D12/1, 130, 131; 446/470, 471, 440, 78, 76, 80, 313, 426, 428; 280/87.01, 87.021, 87.051, 87.043, 1.22, 1.13, 827, 828

[56] **References Cited**

**U.S. PATENT DOCUMENTS**

- D. 136,984 1/1944 Richardson ..... D12/130
- D. 268,605 4/1983 Randolph ..... D21/165
- D. 302,186 7/1989 Klawitter ..... D21/78

- D. 345,390 3/1994 Spence, Jr. .... D21/165
- D. 352,972 11/1994 Chiang ..... D21/128
- D. 358,791 5/1995 Cacciola et al. .... D12/130
- 3,554,570 1/1971 Dawson ..... 280/87.051
- 5,362,272 11/1994 Chow et al. .... 280/87.051

*Primary Examiner*—Raphael Barkai  
*Attorney, Agent, or Firm*—Bacon & Thomas

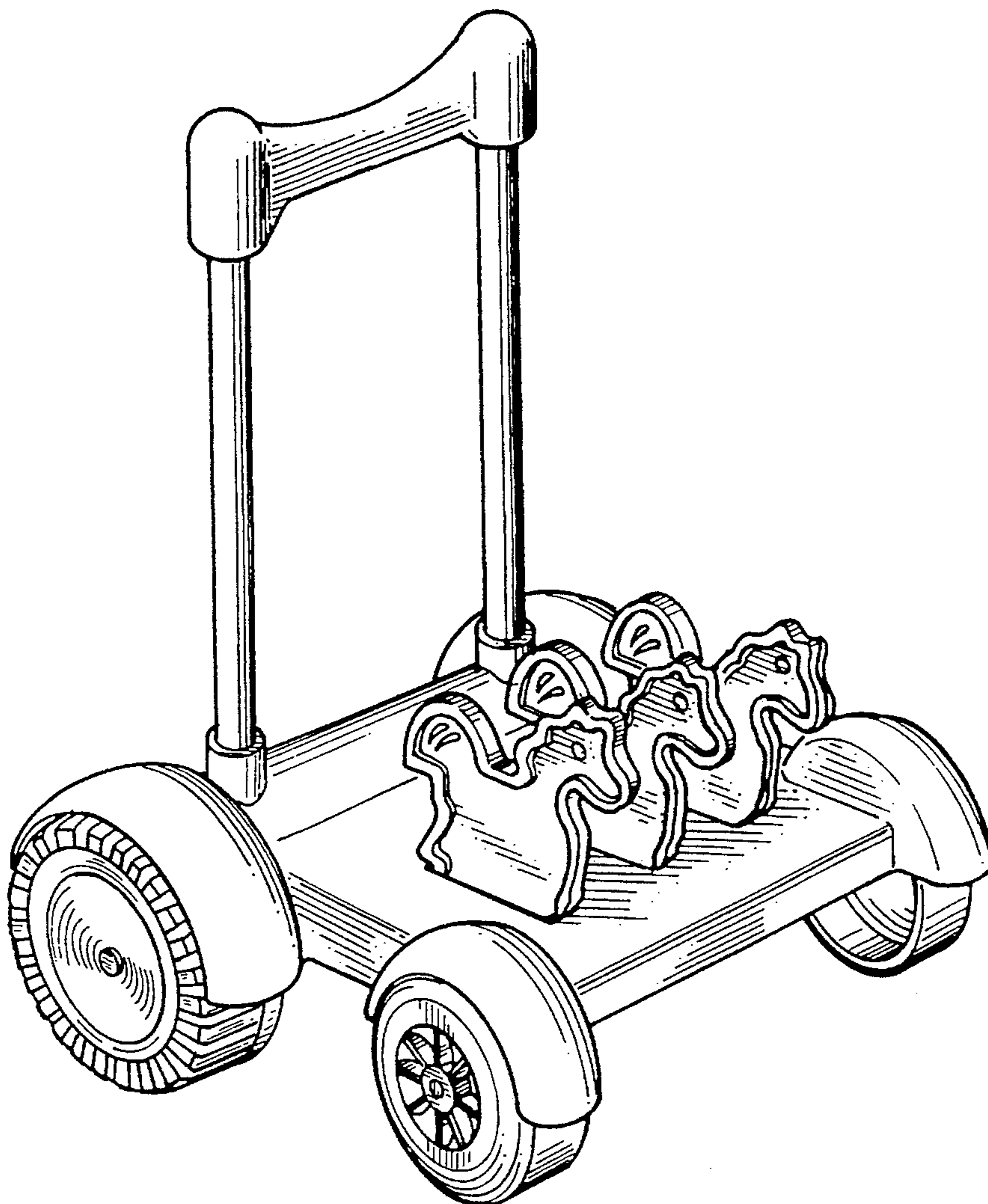
[57] **CLAIM**

The ornamental design for a baby cart, as shown and described.

**DESCRIPTION**

FIG. 1 is a front perspective view of a baby cart, showing my new design;  
FIG. 2 is a front elevational view thereof;  
FIG. 3 is a rear elevational view thereof;  
FIG. 4 is a left side elevational view thereof;  
FIG. 5 is a right side elevational view thereof;  
FIG. 6 is a top plan view thereof; and,  
FIG. 7 is a bottom plan view thereof.

**1 Claim, 7 Drawing Sheets**



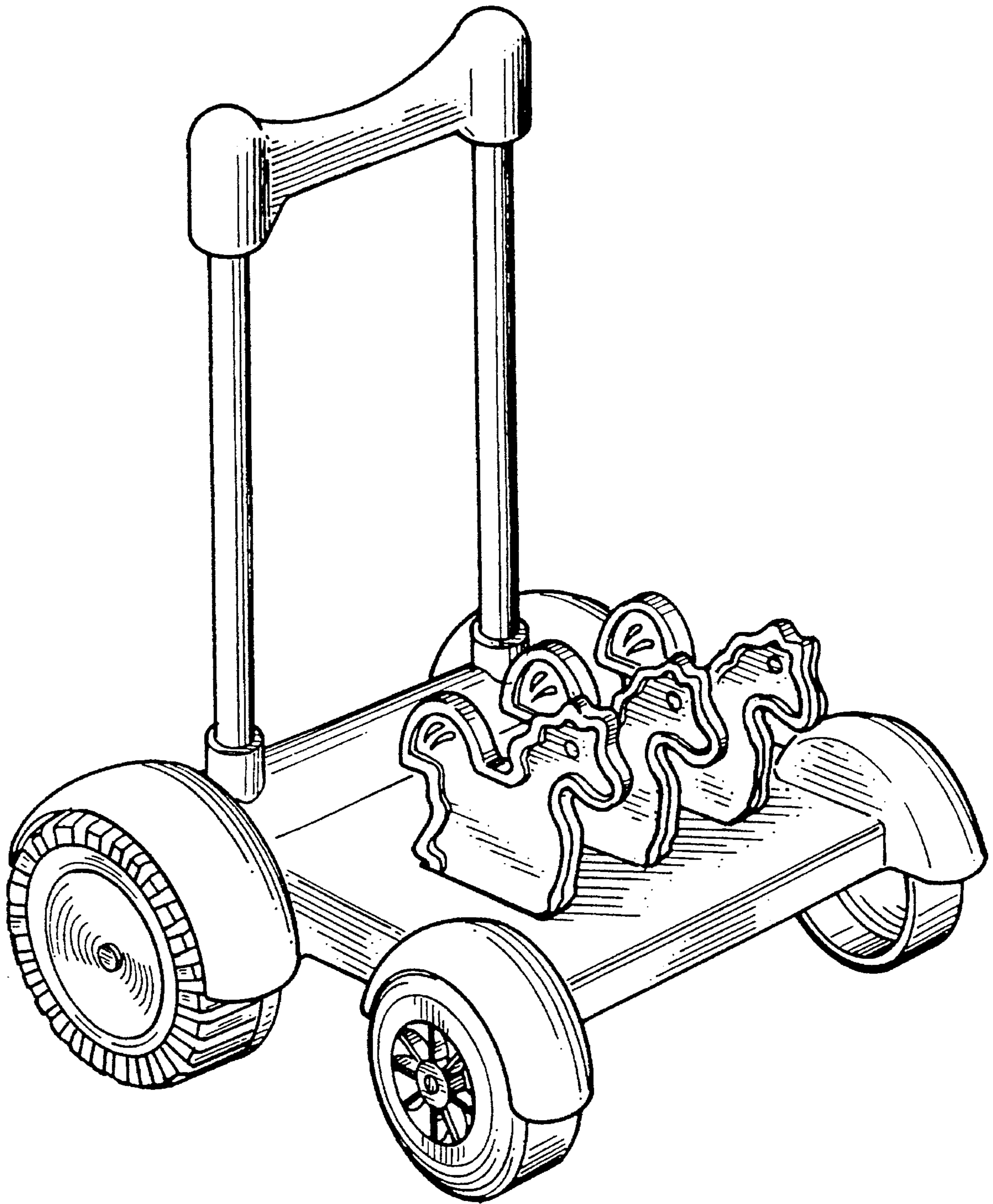


FIG. 1

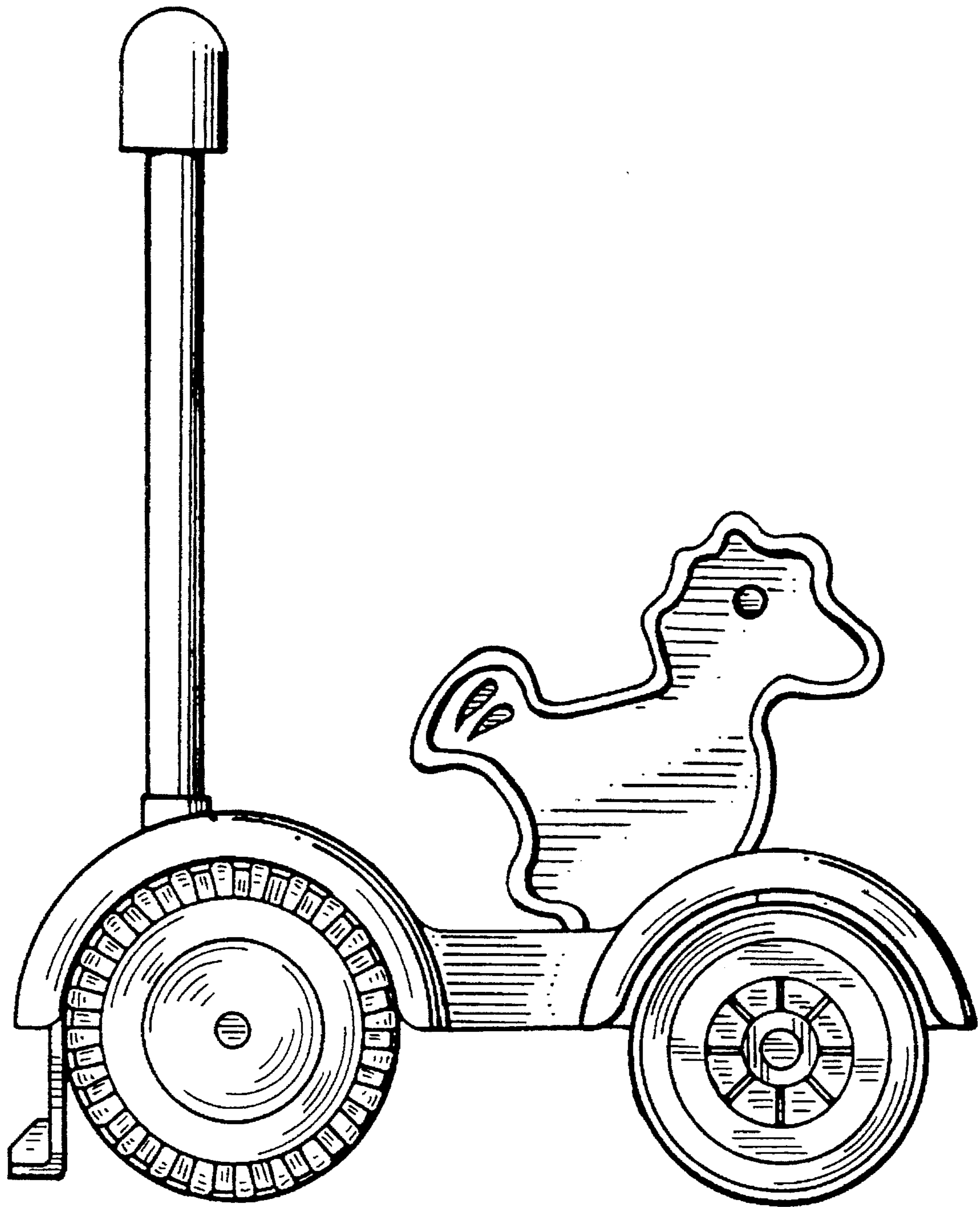


FIG. 2

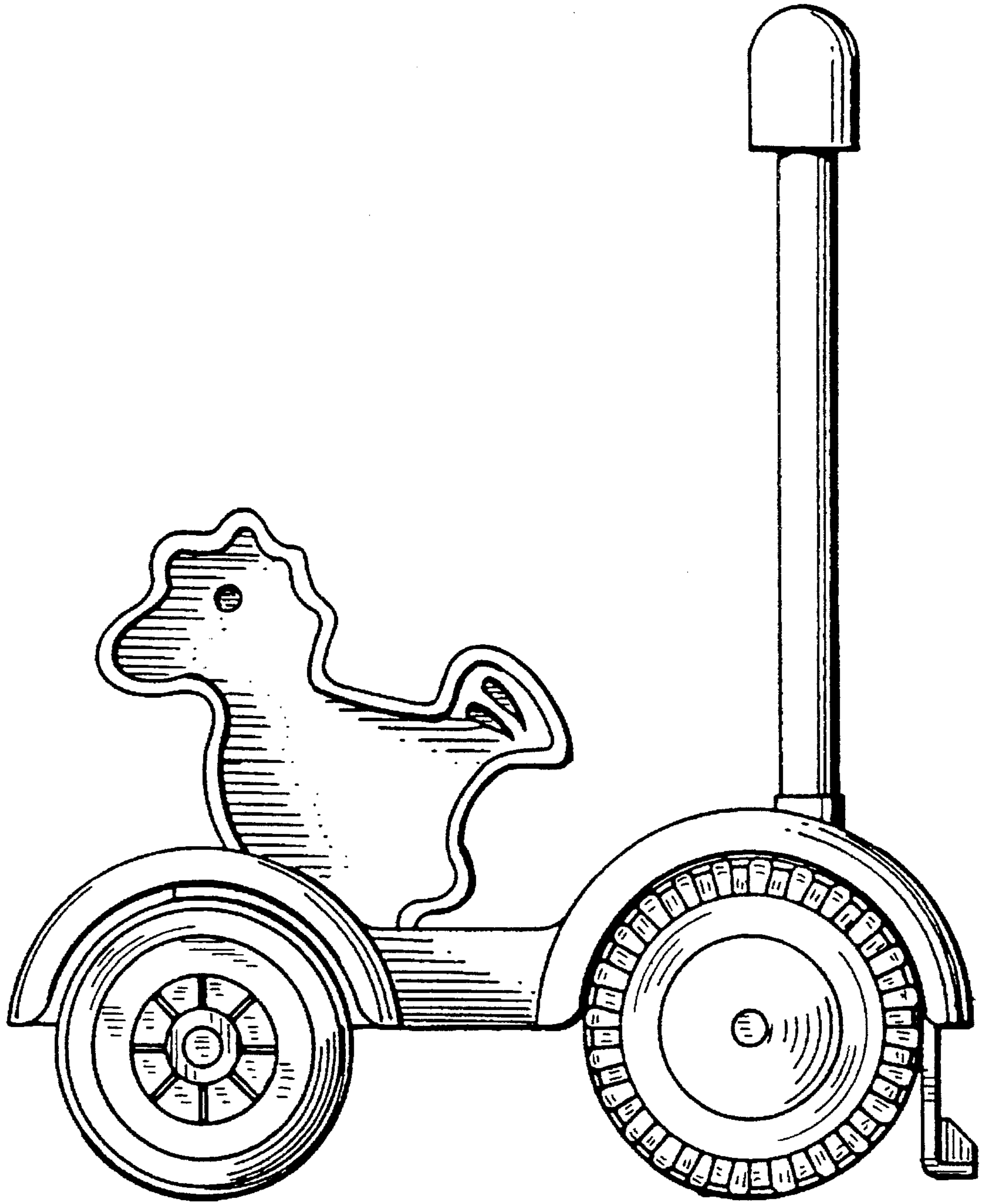


FIG. 3

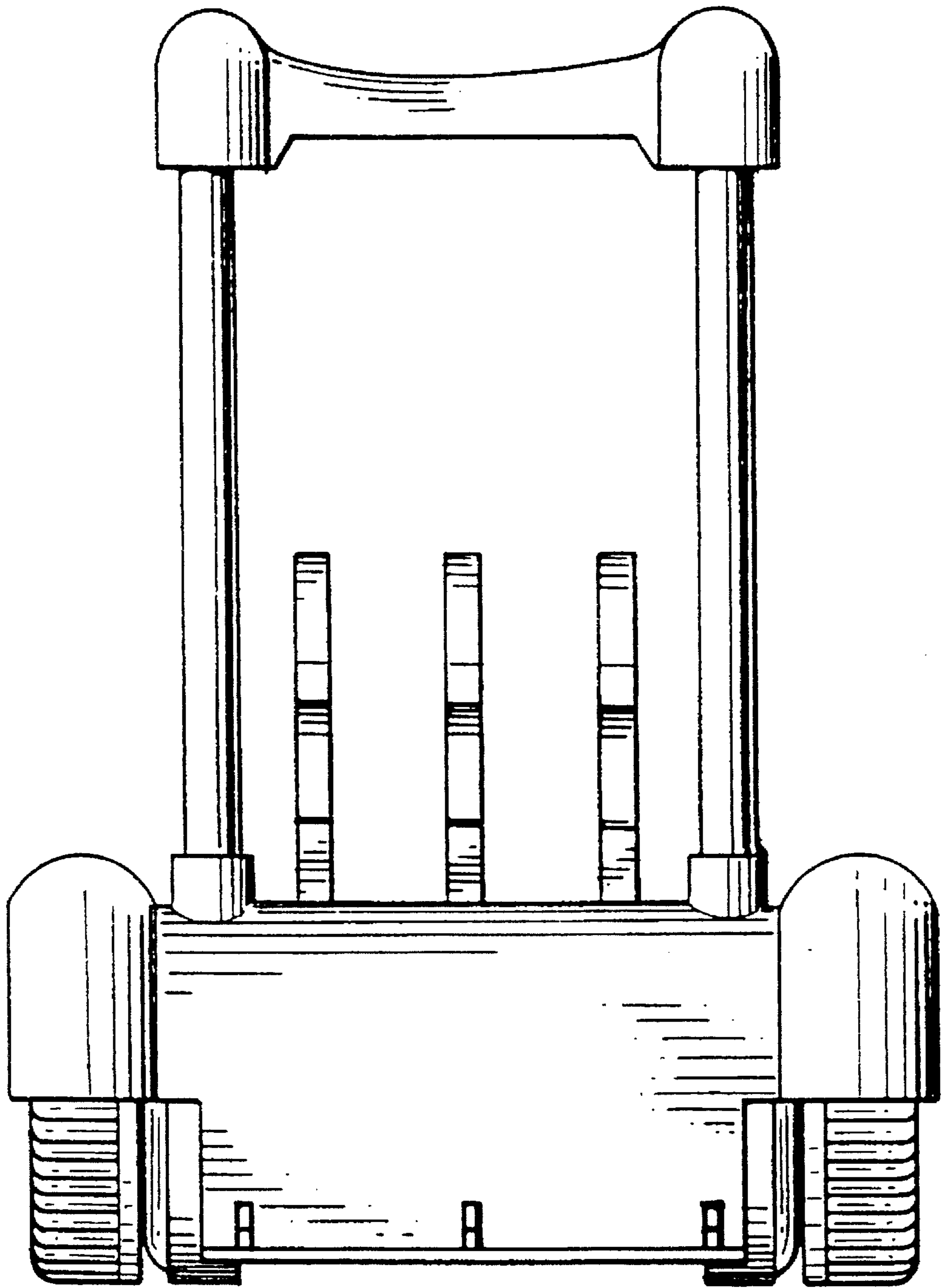


FIG. 4

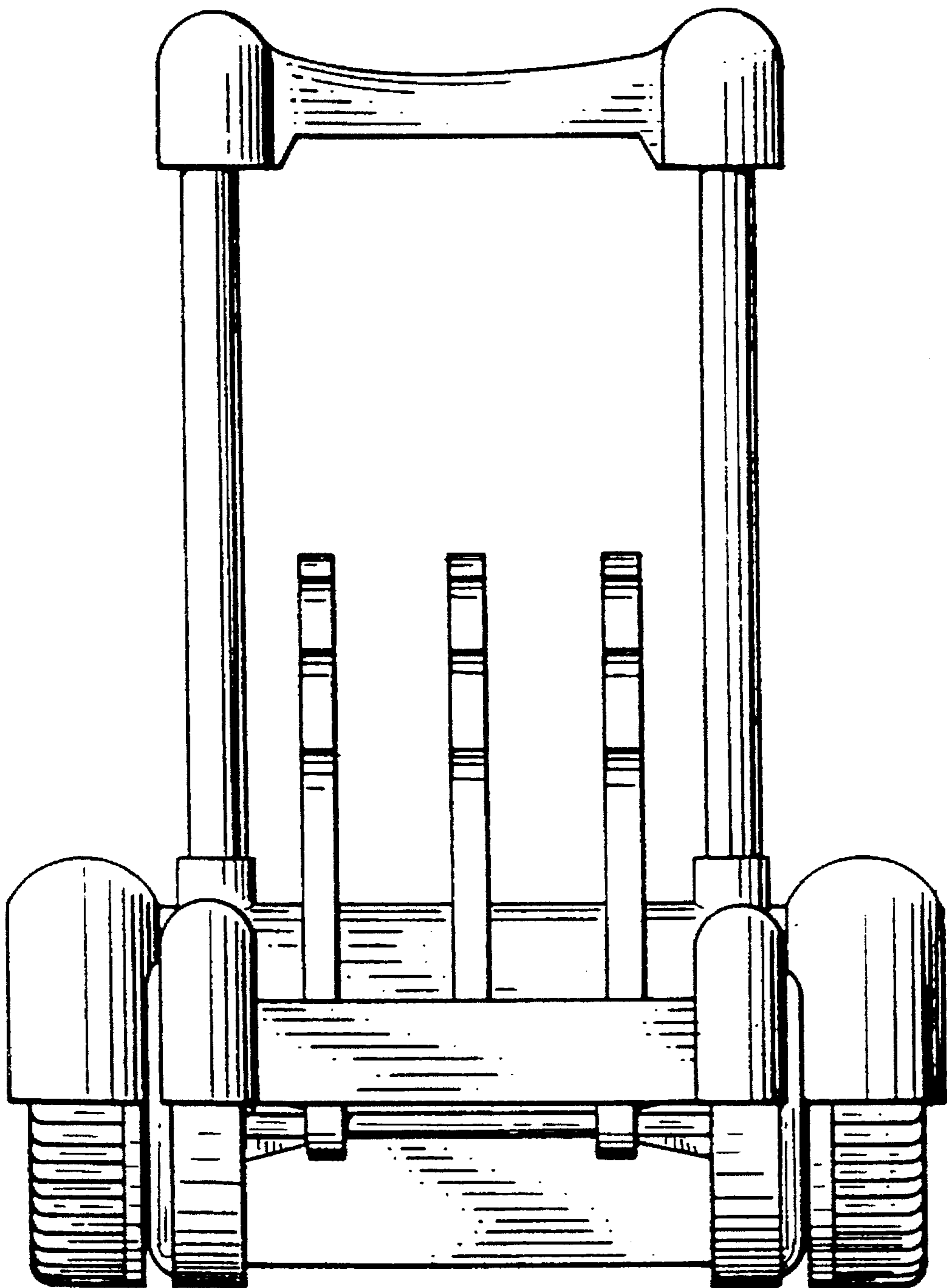


FIG. 5

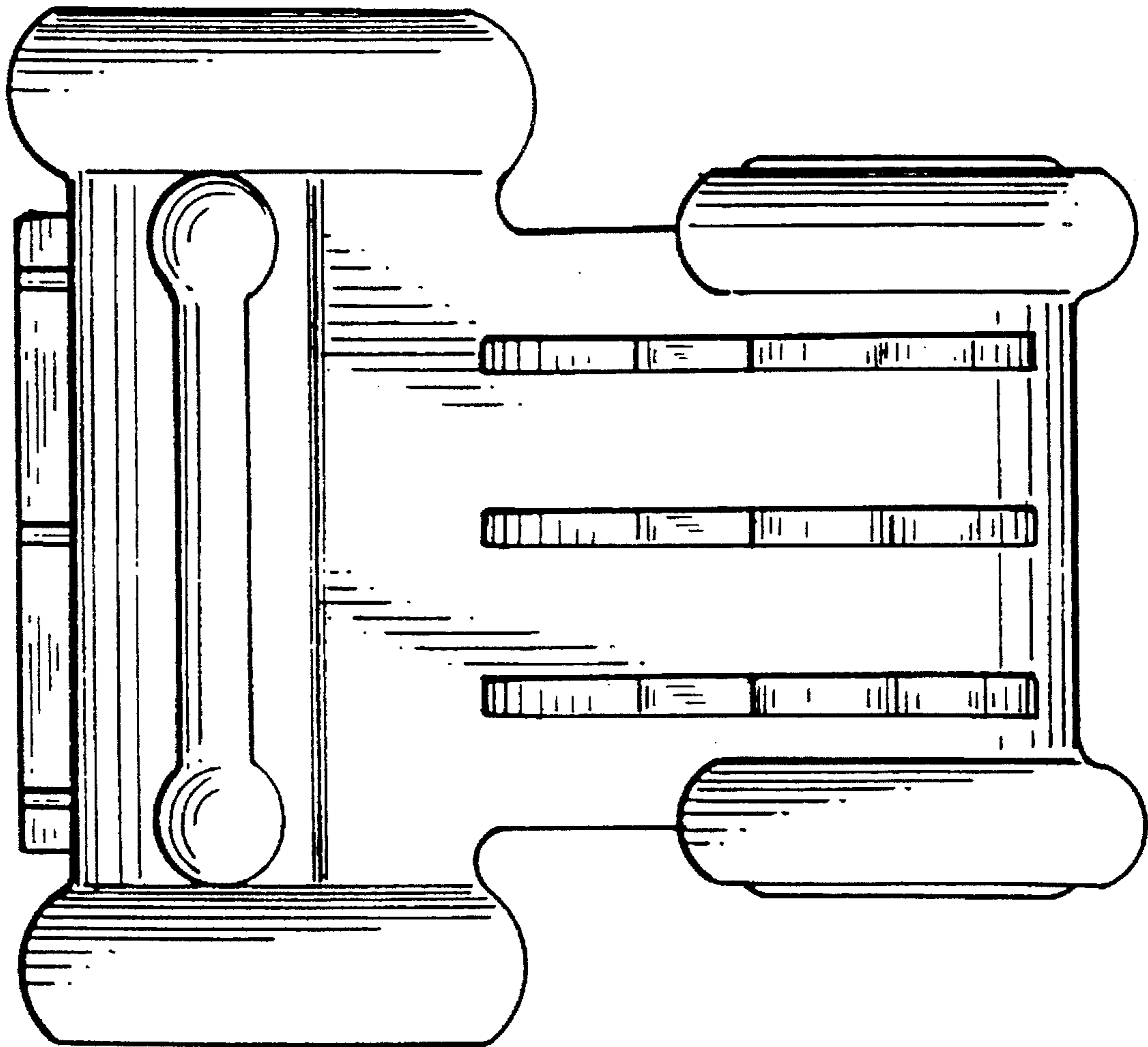


FIG. 6

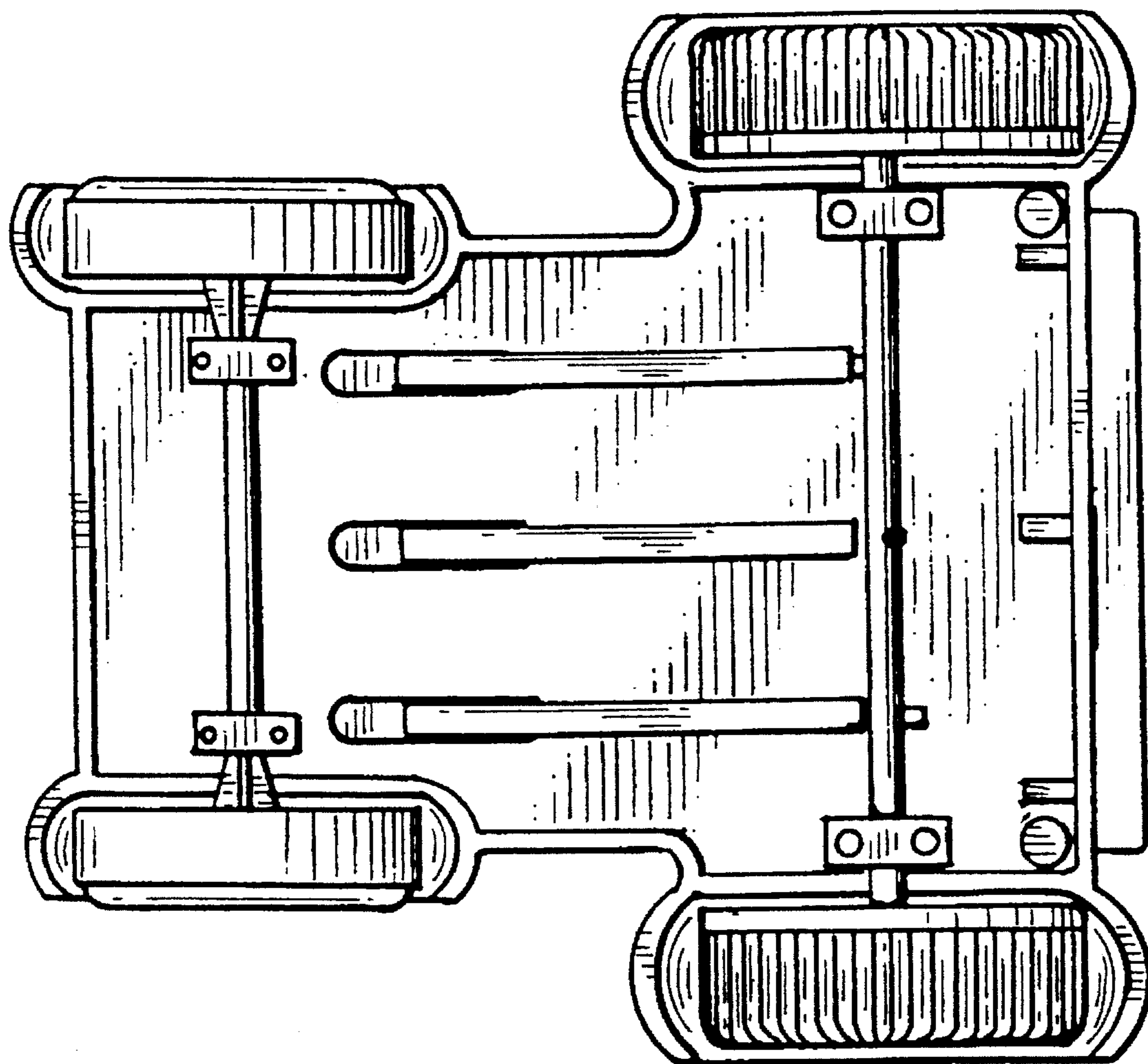


FIG. 7