



US00D377364S

United States Patent [19]
Dinges

[11] **Patent Number: Des. 377,364**

[45] **Date of Patent: **Jan. 14, 1997**

[54] **CLIP-ON GLASSES**

[75] **Inventor: Alan J. Dinges, Coral Springs, Fla.**

[73] **Assignee: Premier Optics, L.C., Coral Springs, Fla.**

[**] **Term: 14 Years**

[21] **Appl. No.: 48,862**

[22] **Filed: Jan. 11, 1996**

[52] **U.S. Cl. D16/304; D16/310; D16/900; D2/866**

[58] **Field of Search** D16/300, 101, D16/304, 309-317, 323, 325-330, 341, 900; D2/866; D29/103, 104; 351/41, 44, 47-48, 51-52, 57-59, 155, 157-158, 114; 2/10, 12, 13

[56] **References Cited**

U.S. PATENT DOCUMENTS

D. 313,420	1/1991	Tarr et al.	D16/313
1,665,513	4/1928	Thomas	2/10
1,764,500	6/1930	Blakesley	2/10
1,829,538	10/1931	Prichard	2/10

1,871,461	8/1932	More	2/10
2,434,076	1/1948	Kilham	2/10
2,619,641	12/1952	Vaca	2/10
5,261,124	11/1993	Day	351/155
5,412,812	5/1995	Gatchalian	351/155
5,422,686	6/1995	Kelman et al.	351/155

Primary Examiner—Raphael Barkai
Attorney, Agent, or Firm—Skjerven, Morrill, MacPherson, Franklin & Friel, LLP; Brian D. Ogonowsky

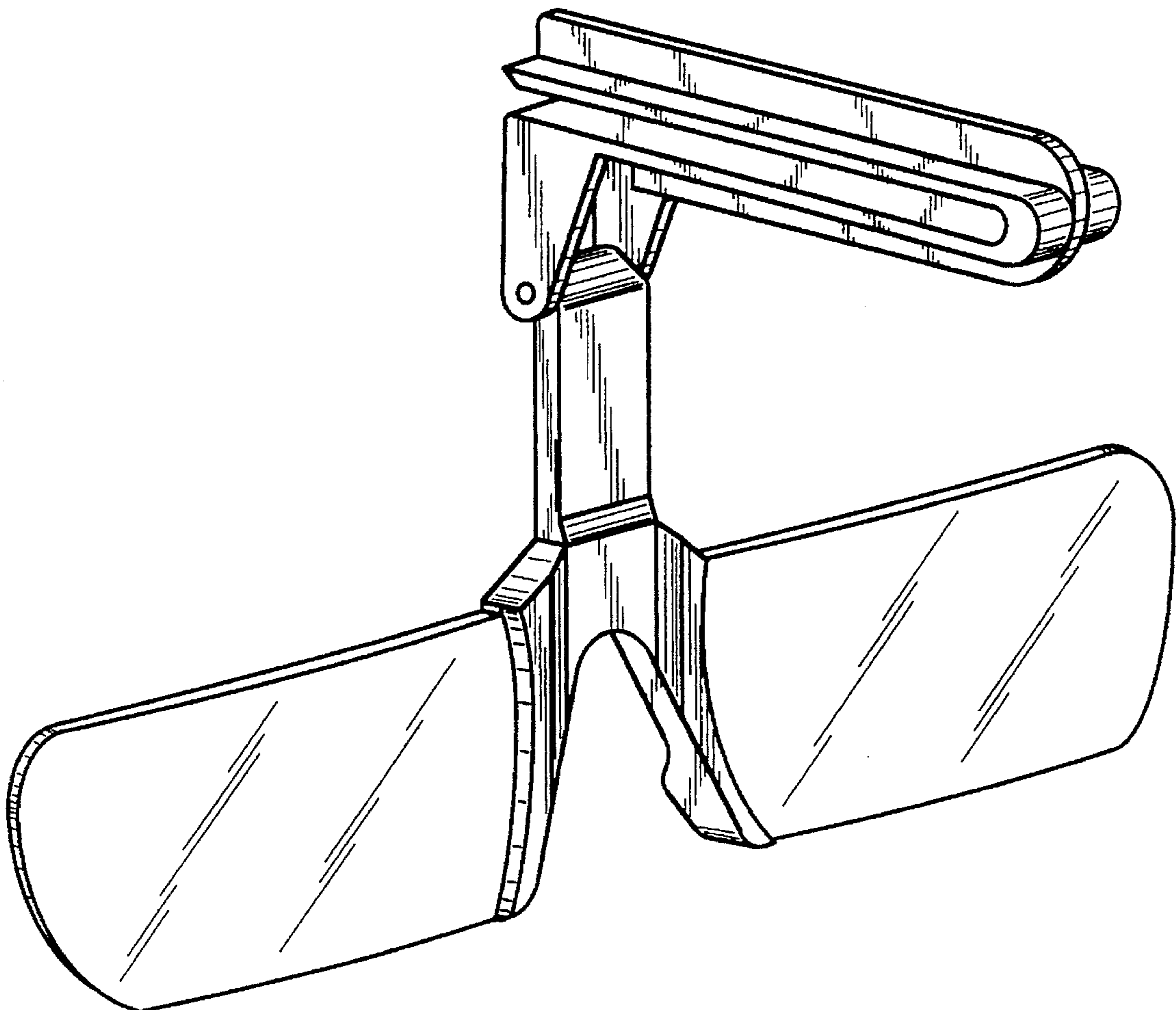
[57] **CLAIM**

The ornamental design for clip-on glasses, as shown and described.

DESCRIPTION

FIG. 1 is a perspective view from the front and left side of the clip-on glasses;
FIG. 2 is a front elevational view thereof;
FIG. 3 is a rear elevational view thereof;
FIG. 4 is a top plan view thereof;
FIG. 5 is a bottom plan view thereof;
FIG. 6 is a right side elevational view thereof; and,
FIG. 7 is a left side elevational view thereof.

1 Claim, 4 Drawing Sheets



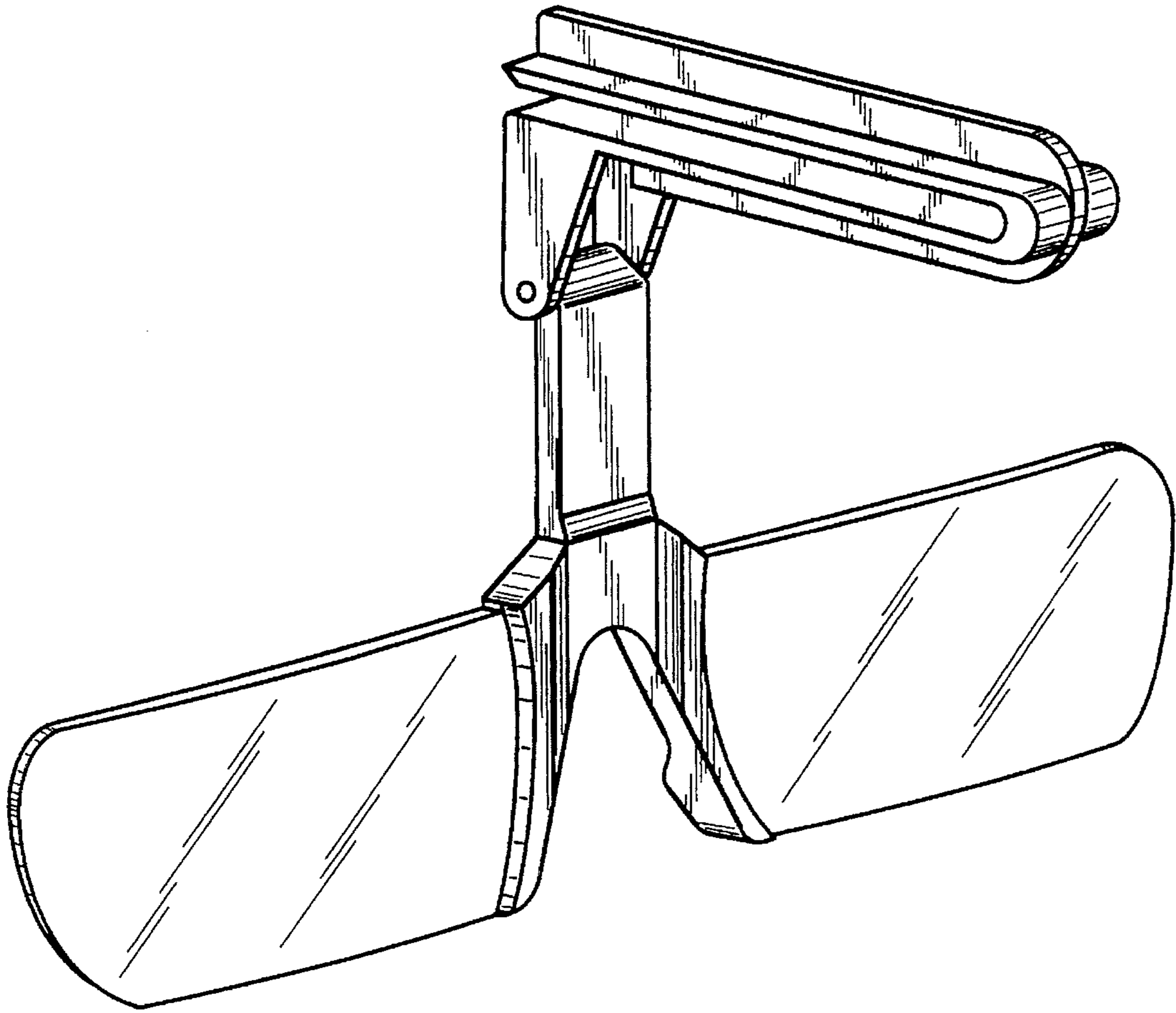


FIG. 1

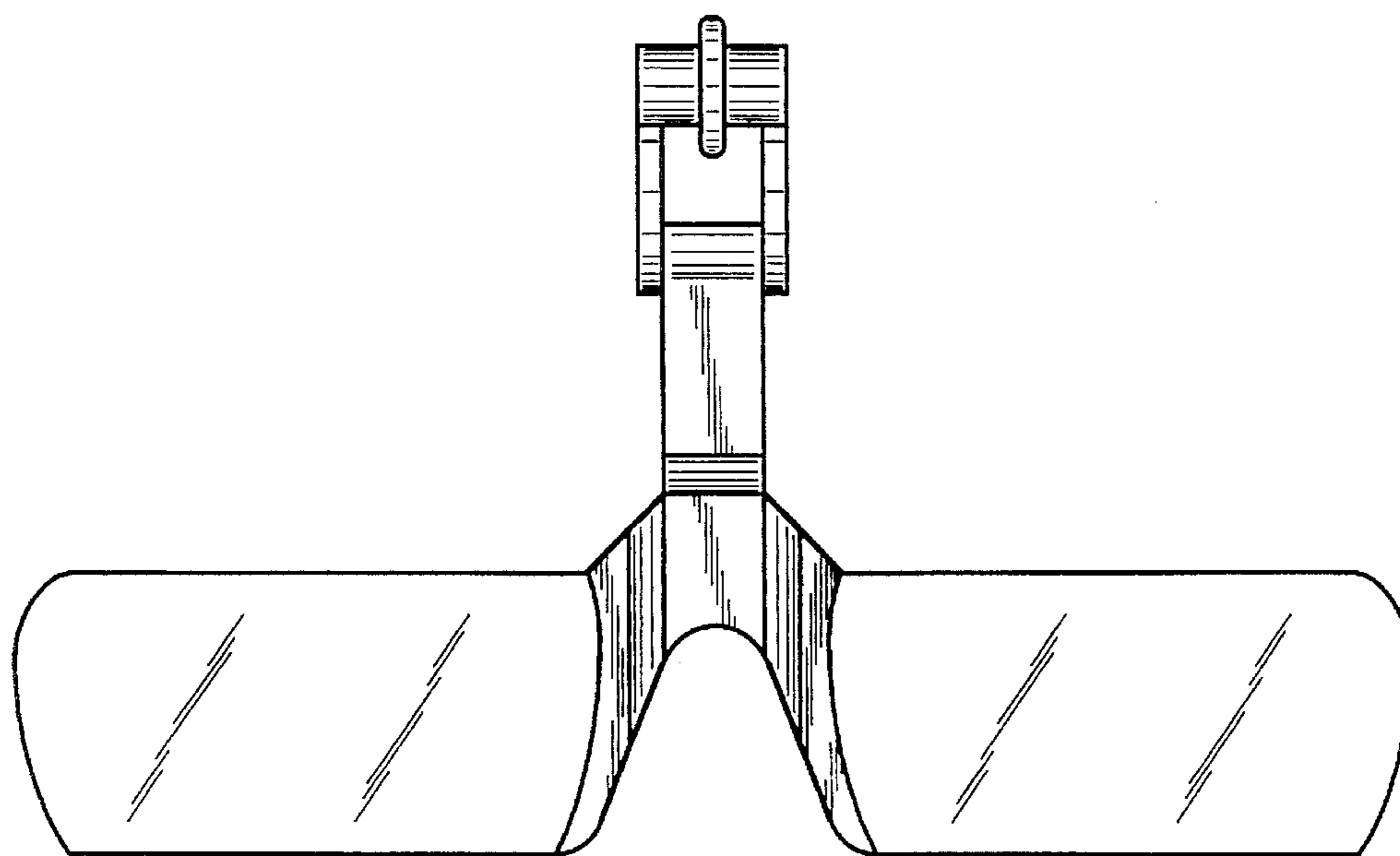


FIG. 2

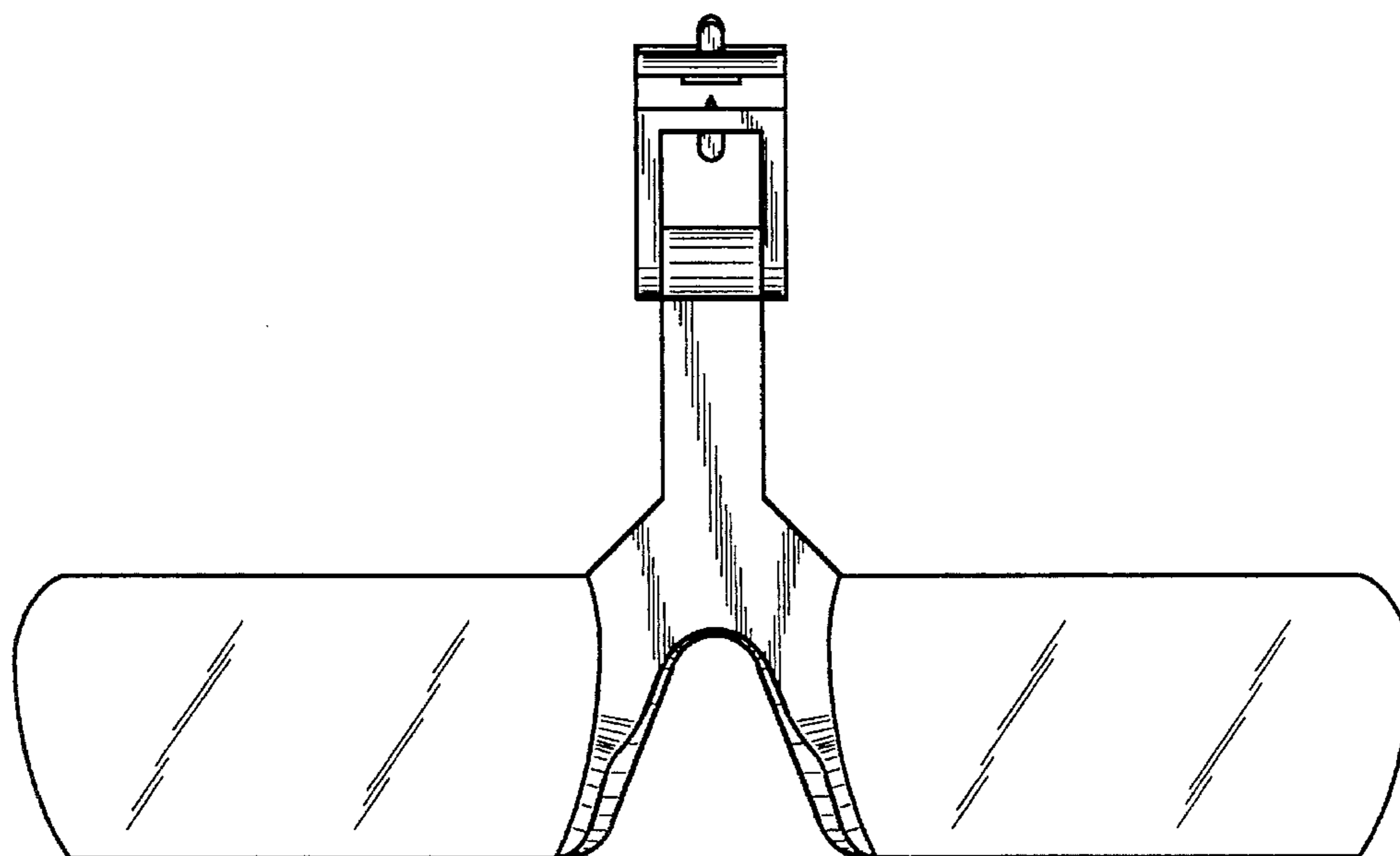


FIG. 3

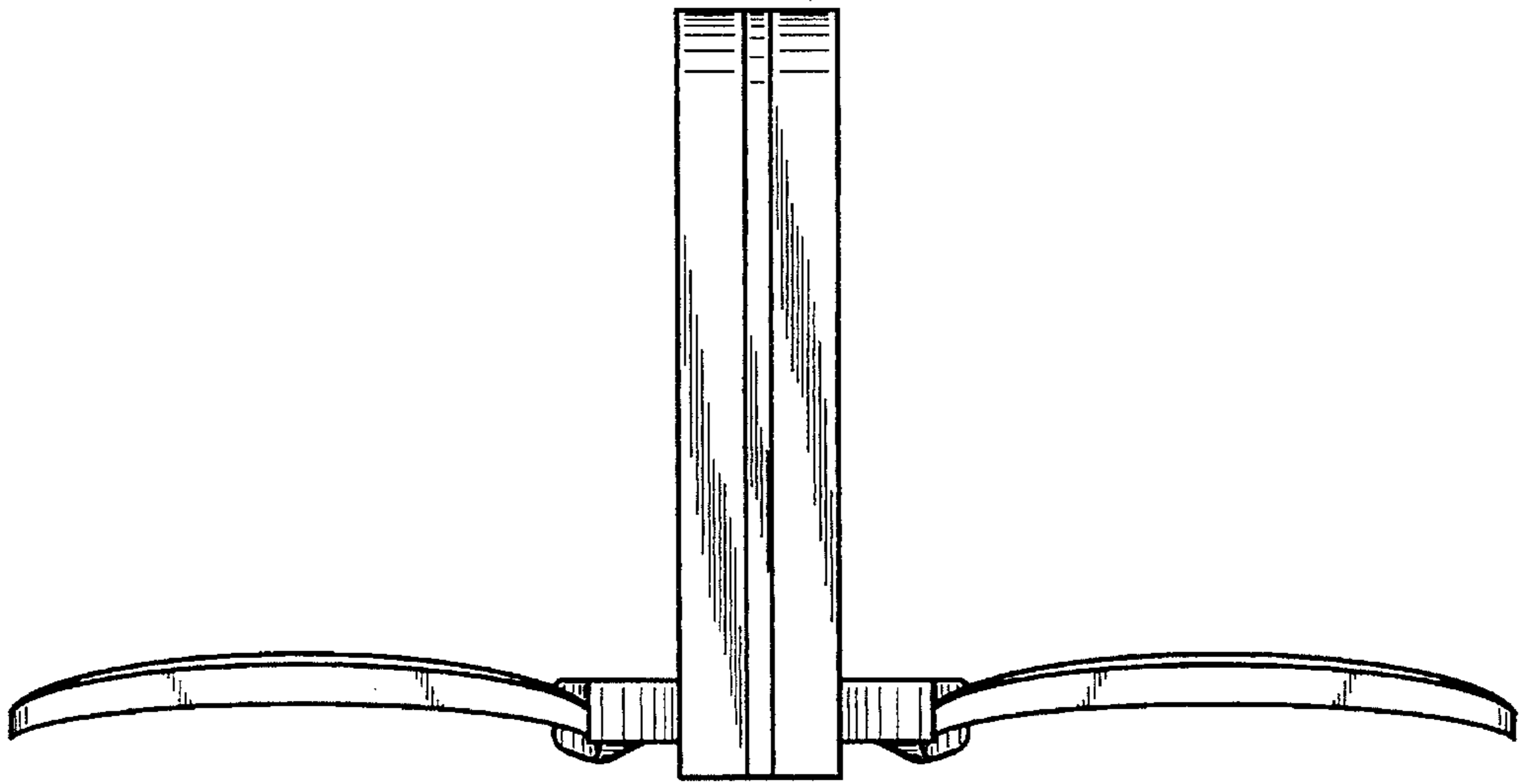


FIG. 4

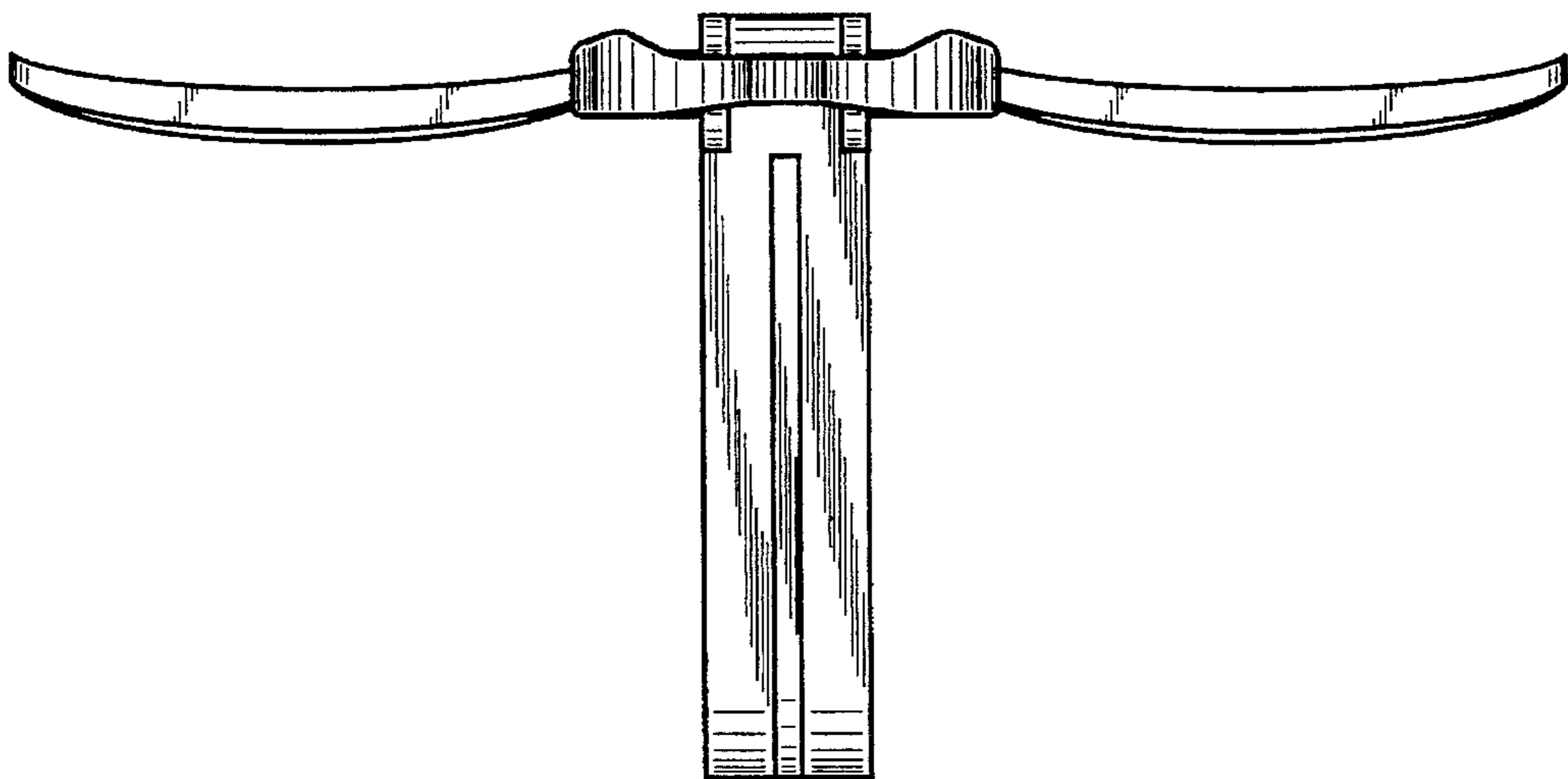


FIG. 5

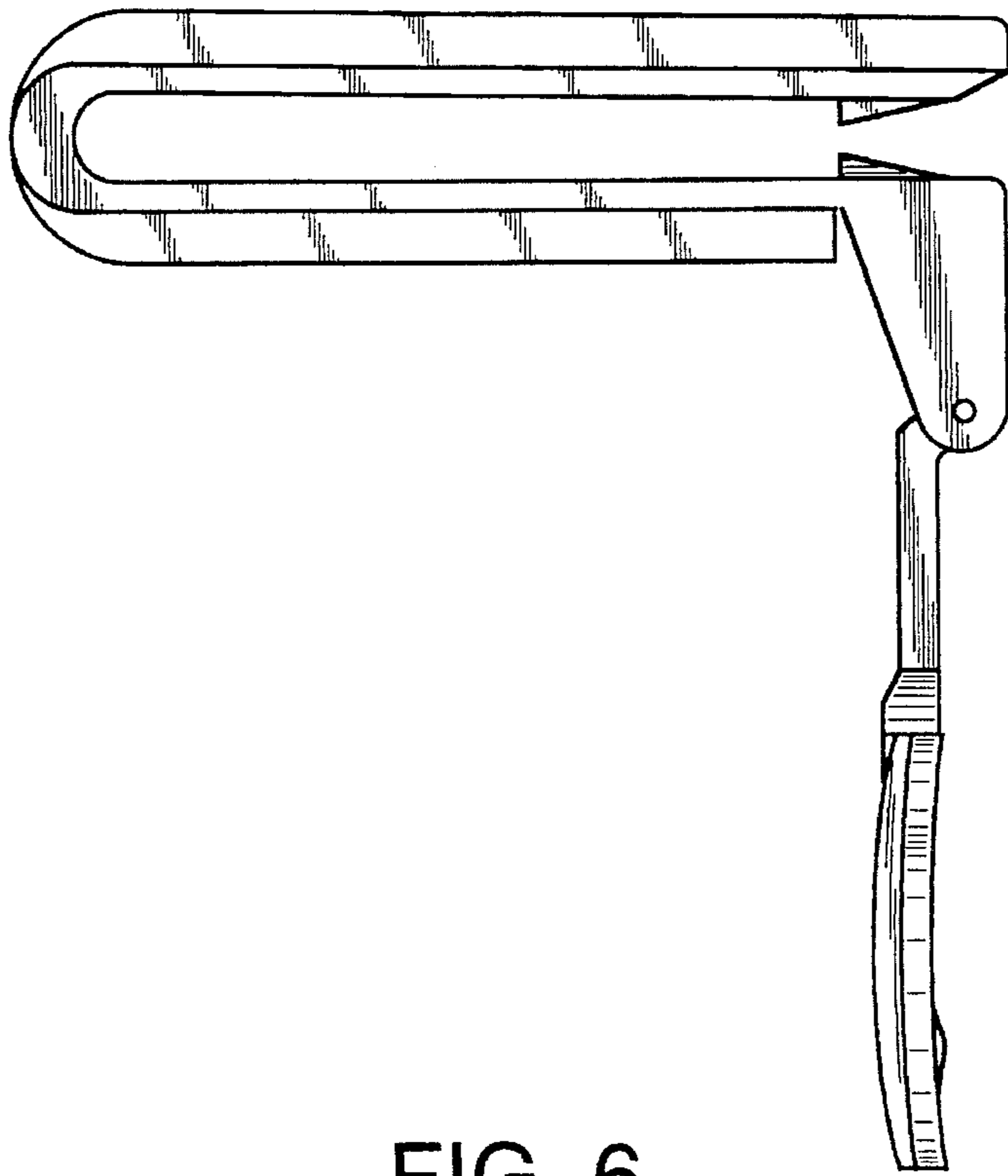


FIG. 6

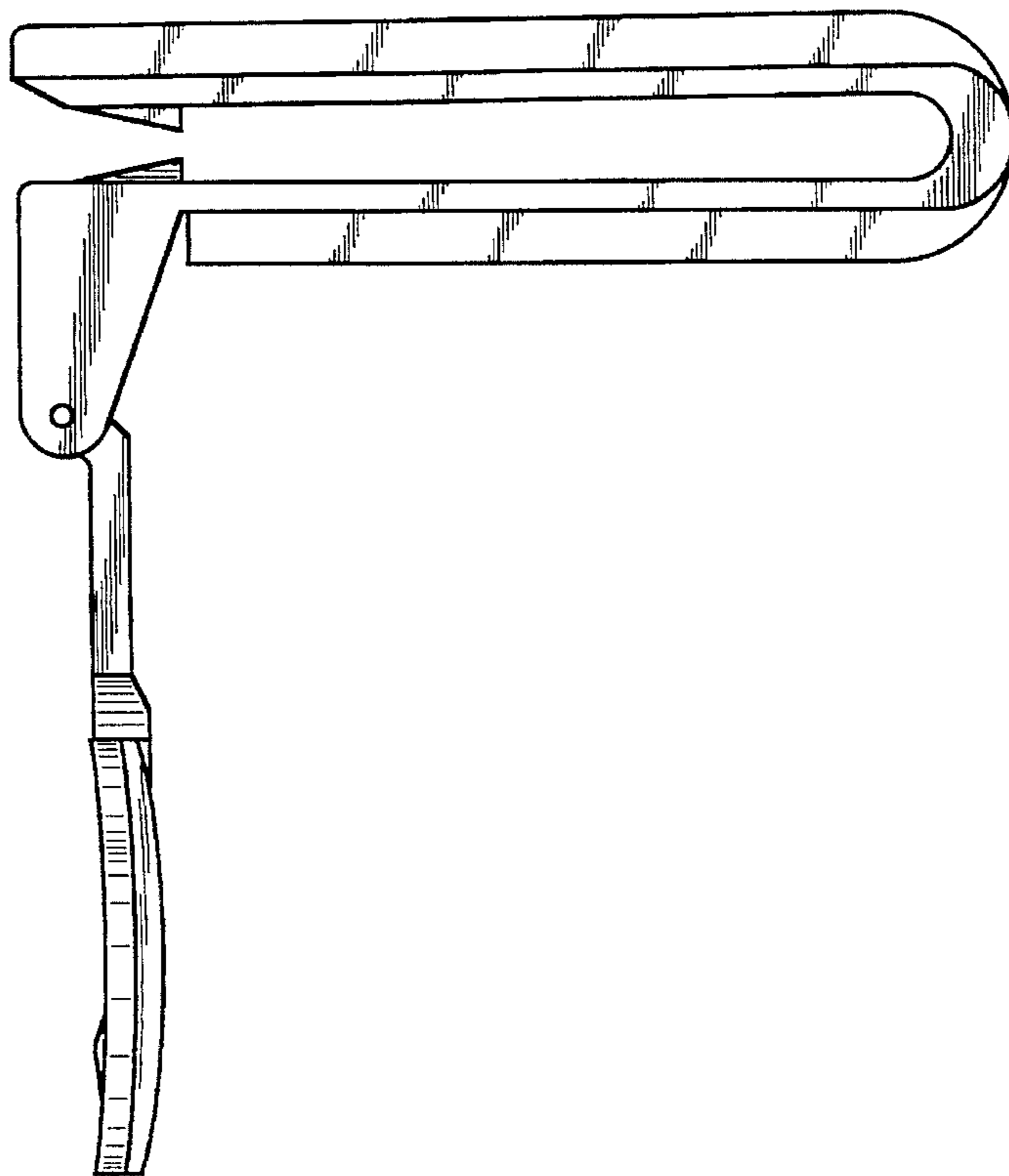


FIG. 7