



US00D377362S

# United States Patent [19]

[11] Patent Number: **Des. 377,362**

Mihailovic

[45] Date of Patent: **\*\*Jan. 14, 1997**

[54] **DISCHARGE ROTOR FOR MEAT-EMULSIFYING MACHINE**

[75] Inventor: **Vladan Mihailovic**, Long Grove, Ill.

[73] Assignee: **2 M Tool Co., Inc.**, Chicago, Ill.

[\*\*] Term: **14 Years**

[21] Appl. No.: **53,117**

[22] Filed: **Apr. 15, 1996**

[52] U.S. Cl. .... **D15/126; D15/138**

[58] Field of Search ..... **D7/383, 412, 414; D15/126, 138; 241/291-298; 452/183, 93; 474/84**

[56] **References Cited**

**U.S. PATENT DOCUMENTS**

D. 285,085 8/1986 Fischer et al. .... D15/139  
4,901,929 2/1990 Barclay ..... 241/294 X

**OTHER PUBLICATIONS**

Four photographs on sheet "A"—discharge rotor shown thereon admitted prior art.

One photograph on sheet "B"—left-hand rotor shown therein admitted prior art.

*Primary Examiner*—Antoine Duval Davis

*Attorney, Agent, or Firm*—Dressler, Goldsmith, Milnamow & Katz, Ltd.

[57] **CLAIM**

The ornamental design for a discharge rotor for meat emulsifying machine, as shown and described.

**DESCRIPTION**

FIG. 1 is a perspective view of a discharge rotor, according

to a first embodiment showing my new design, as seen from the back and one side;

FIG. 2 is a perspective view thereof, as seen from the front and the same side;

FIG. 3 is a side elevational view thereof, as seen from the same side;

FIG. 4 is a side elevational view thereof, as seen from the opposite side;

FIG. 5 is a front elevational view thereof;

FIG. 6 is a top plan view thereof;

FIG. 7 is a bottom plan view thereof;

FIG. 8 is a back elevational view thereof;

FIG. 9 is a perspective view of a discharge rotor, according to a second embodiment showing my new design, as seen from the back and one side;

FIG. 10 is a side elevational view thereof, as seen from the same side;

FIG. 11 is a side elevational view thereof, as seen from the opposite side;

FIG. 12 is a top plan view thereof;

FIG. 13 is a bottom plan view thereof; and,

FIG. 14 is a back elevational view thereof.

A front elevational view of the second embodiment is identical to the front elevational view of the first embodiment in FIG. 5.

A characteristic feature of the claimed design is the scroll design seen from the back of the discharge rotor.

**1 Claim, 5 Drawing Sheets**

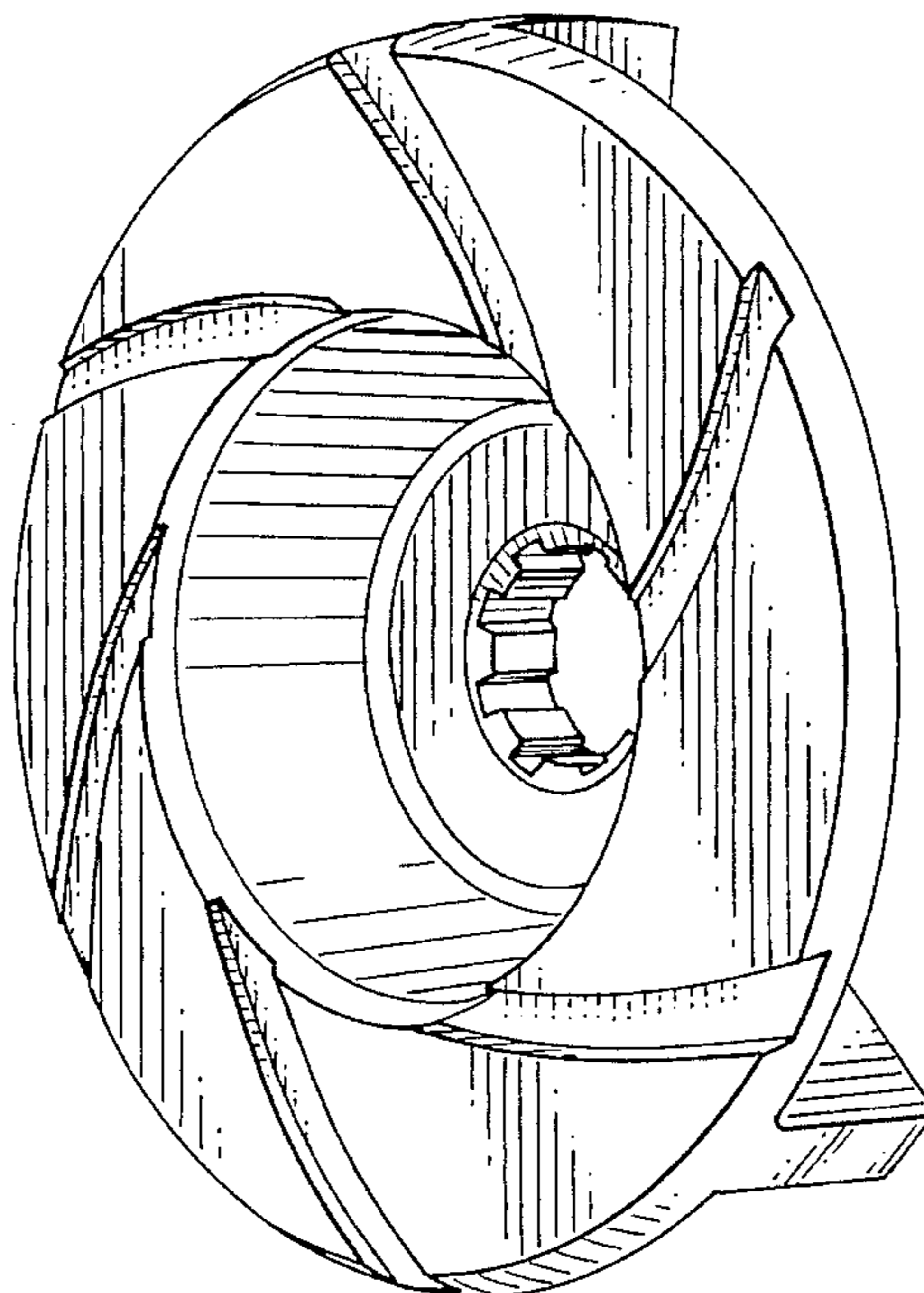


FIG. 1

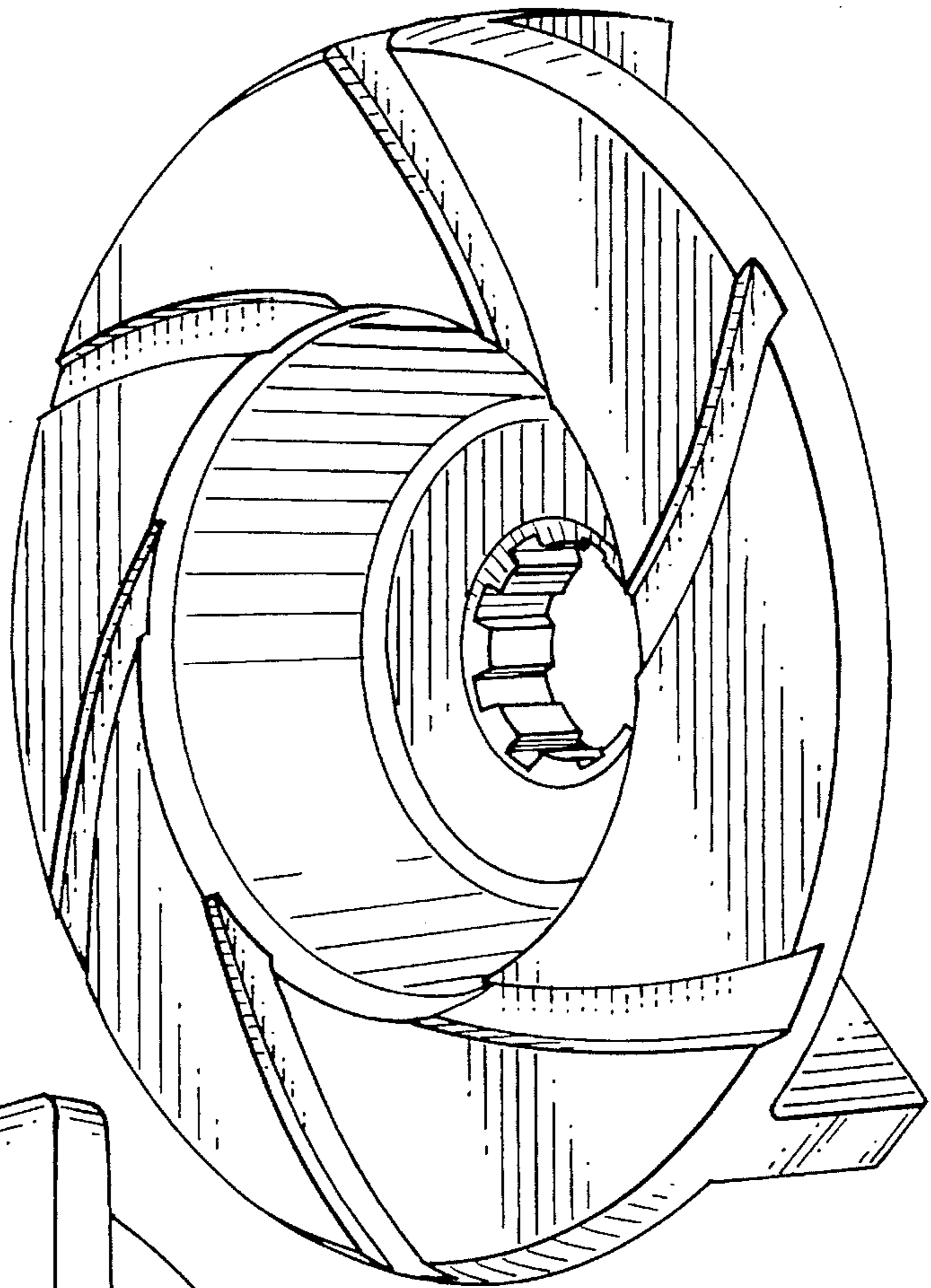


FIG. 2

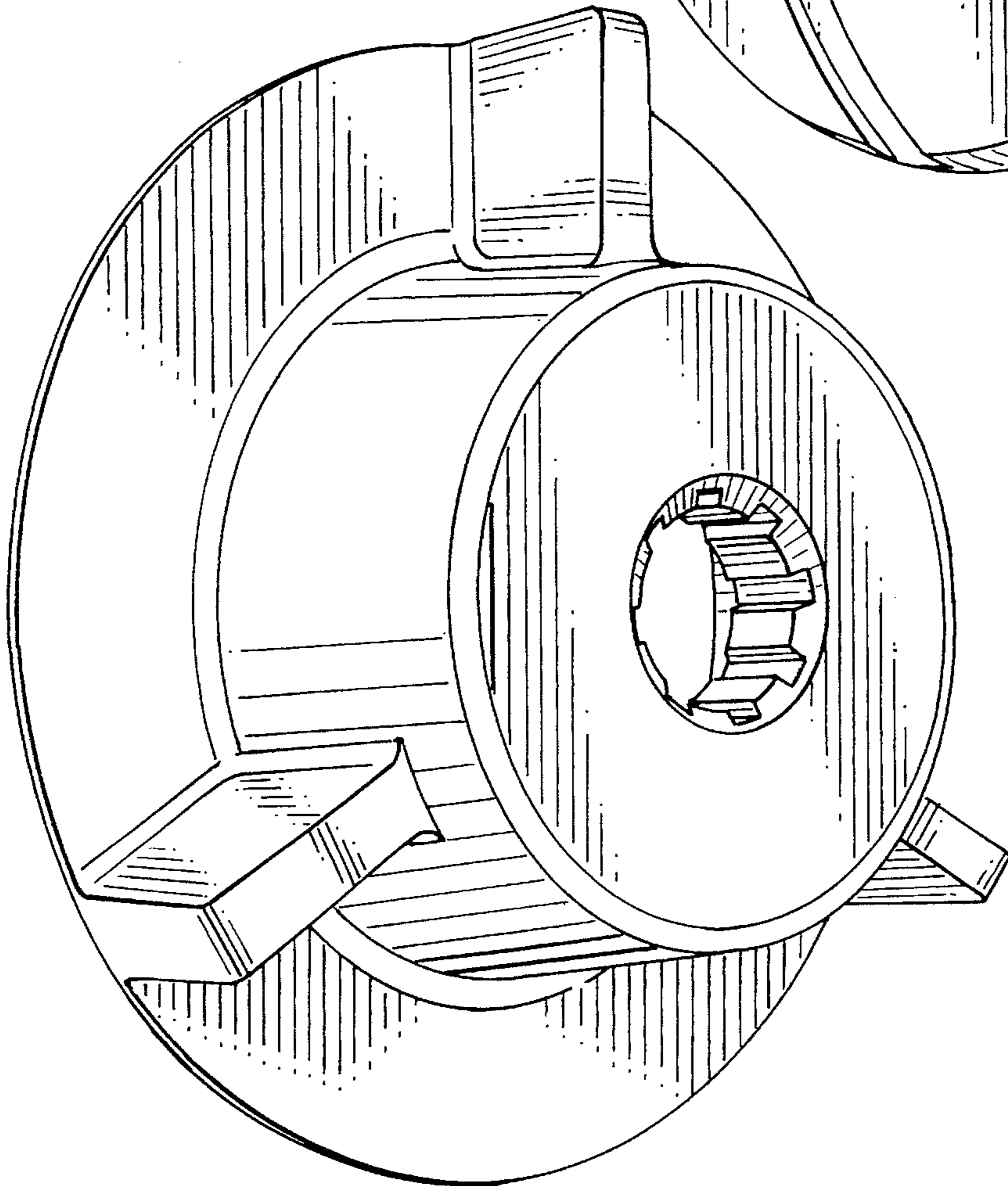


FIG. 4

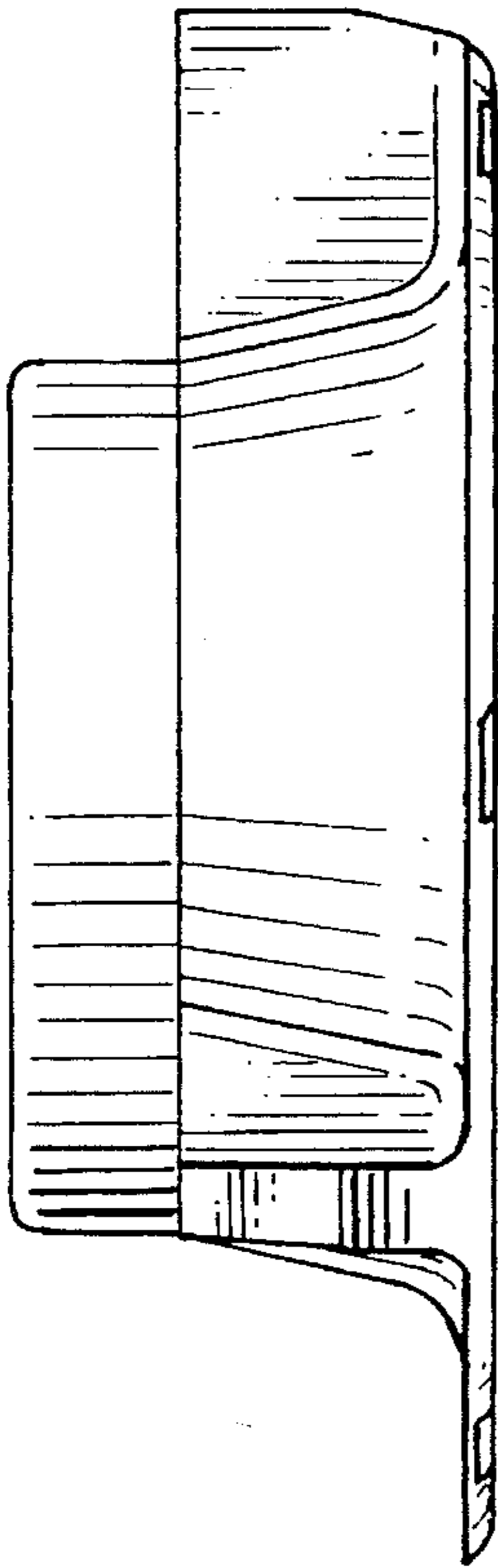


FIG. 3

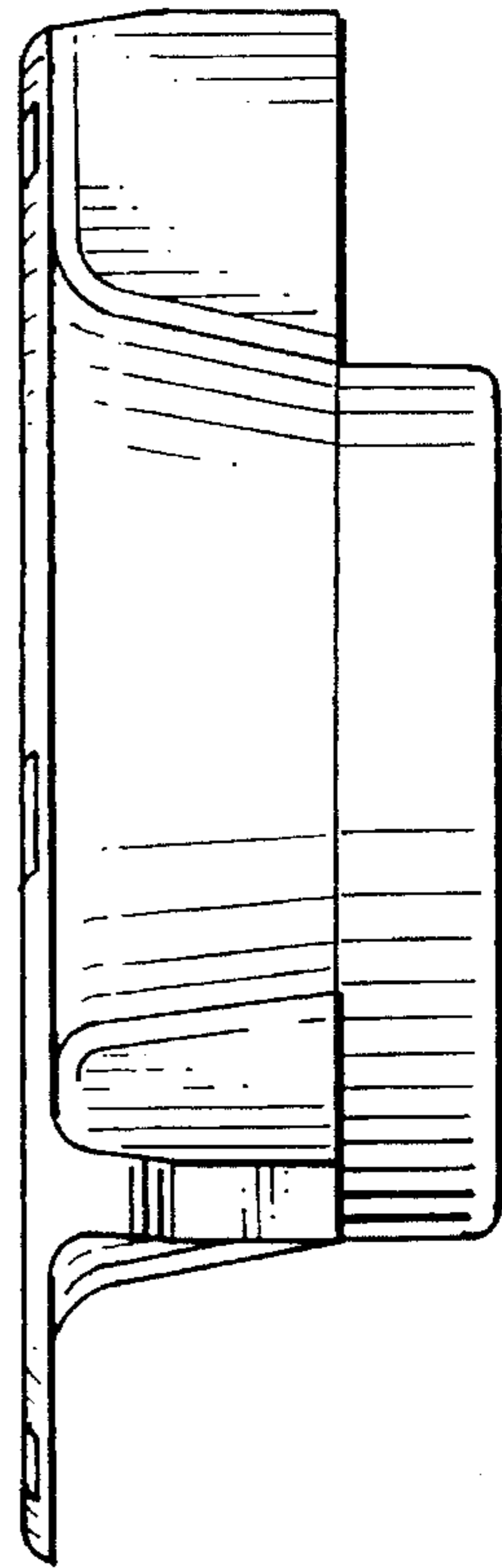


FIG. 5

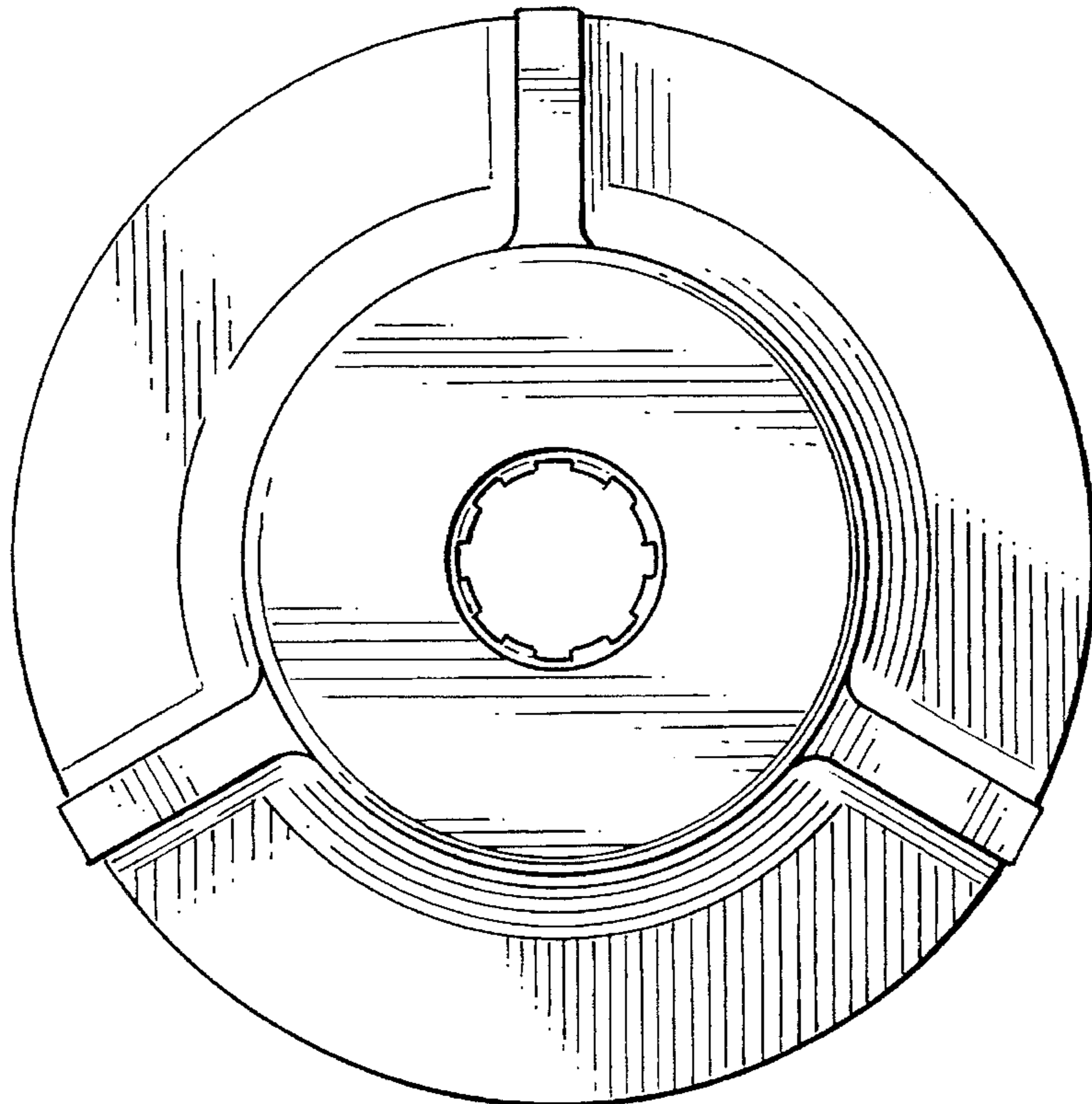


FIG. 6

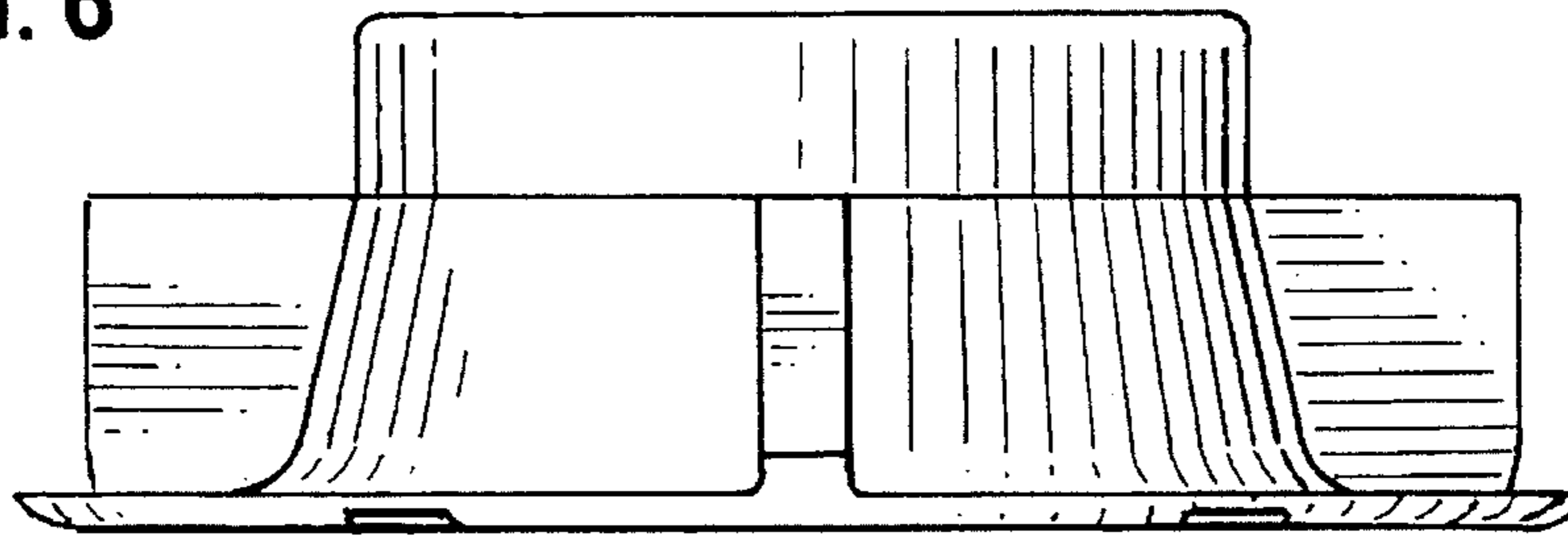


FIG. 8

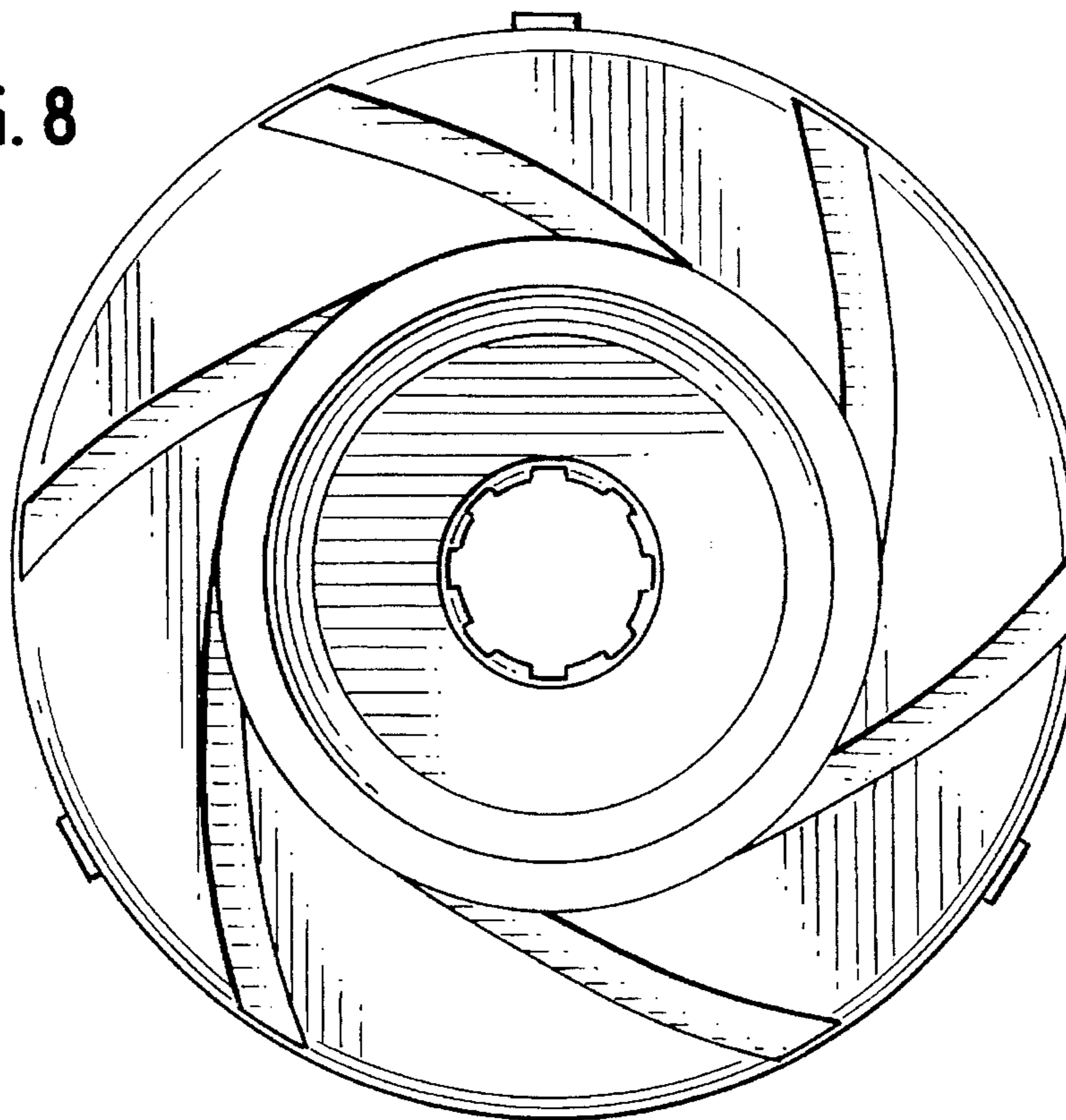


FIG. 7

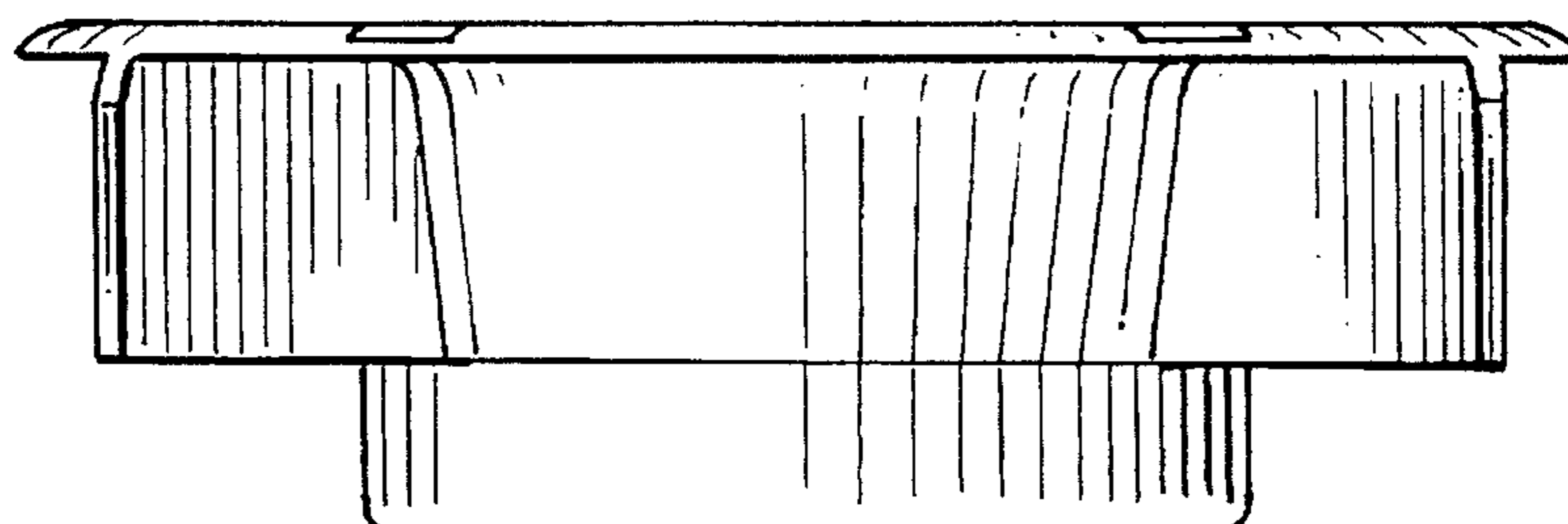


FIG. 9

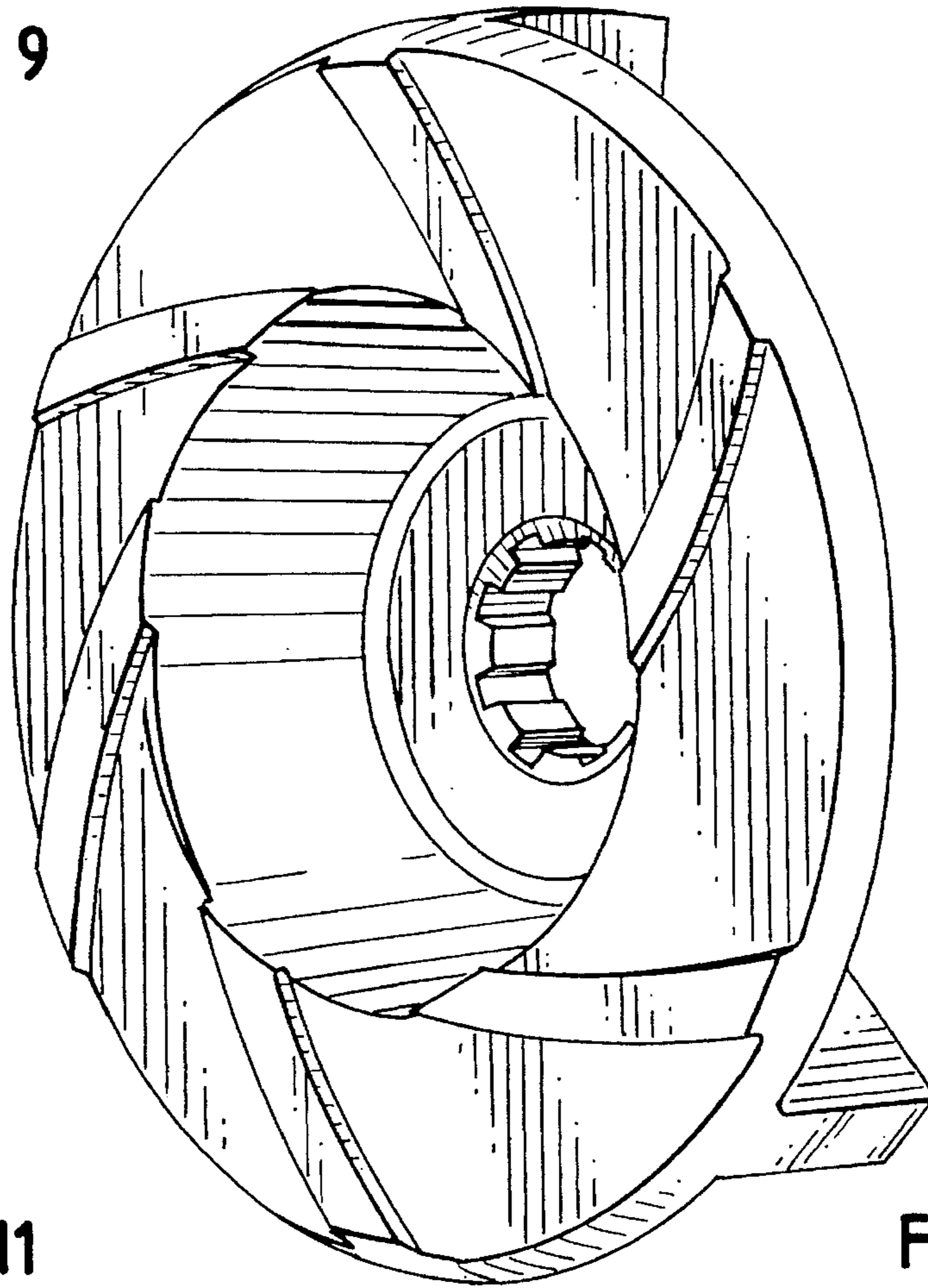


FIG. 11

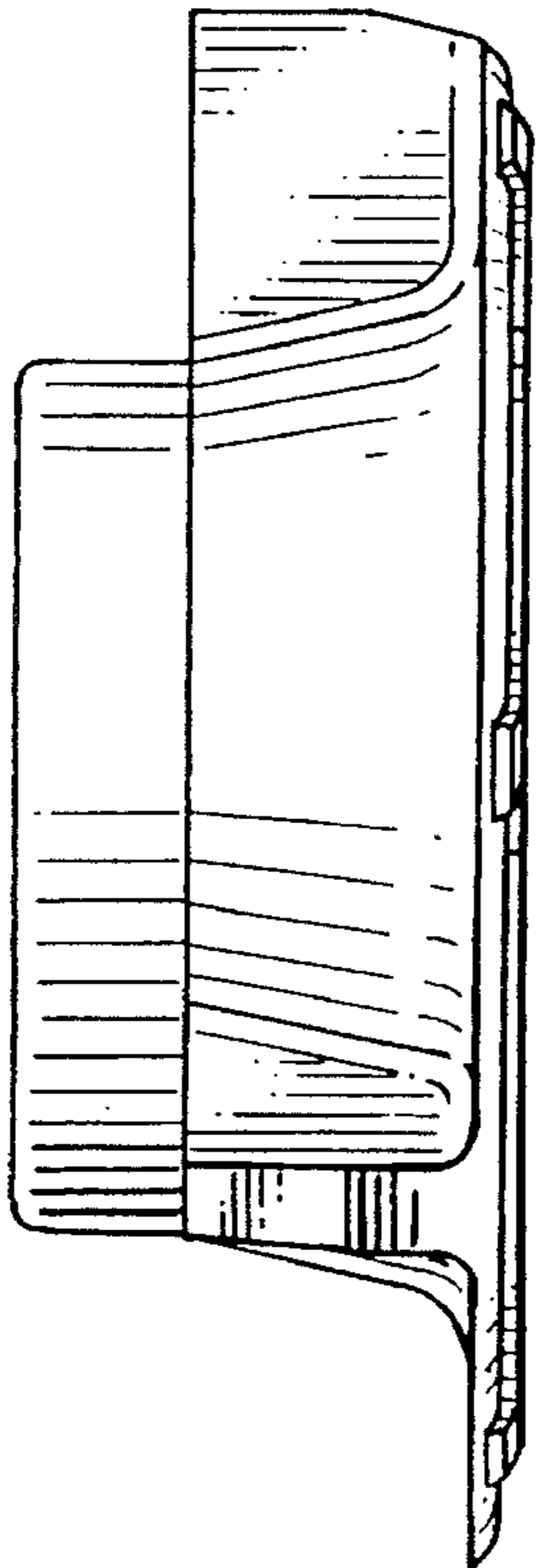


FIG. 10

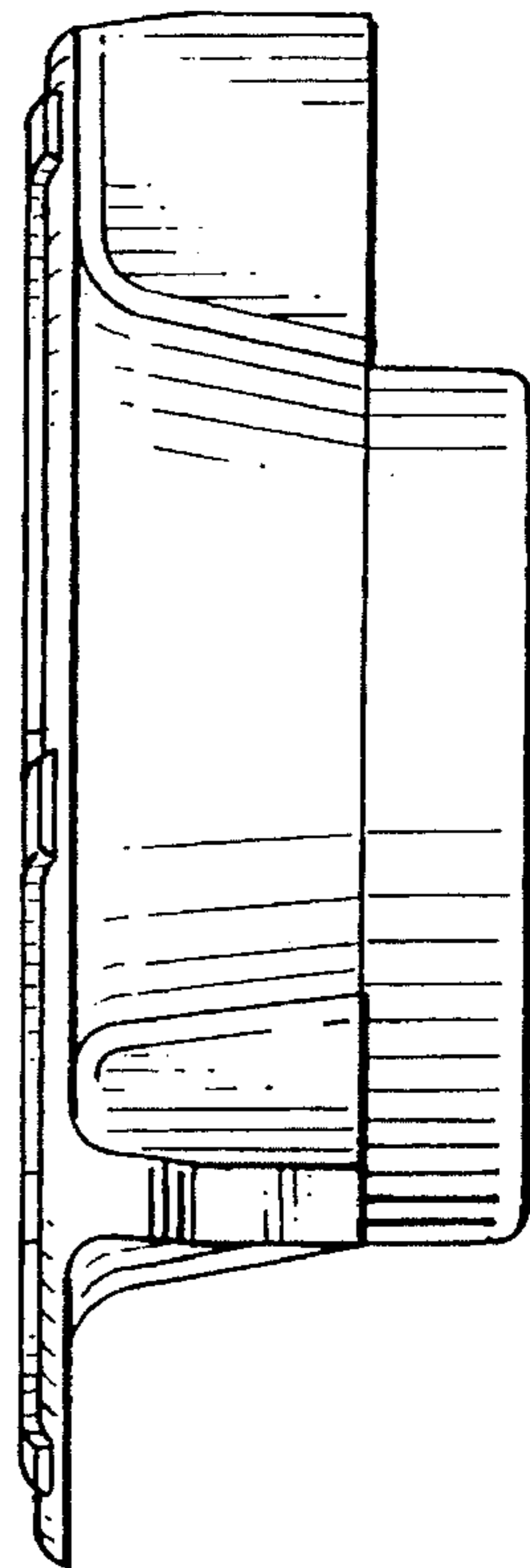


FIG. 12

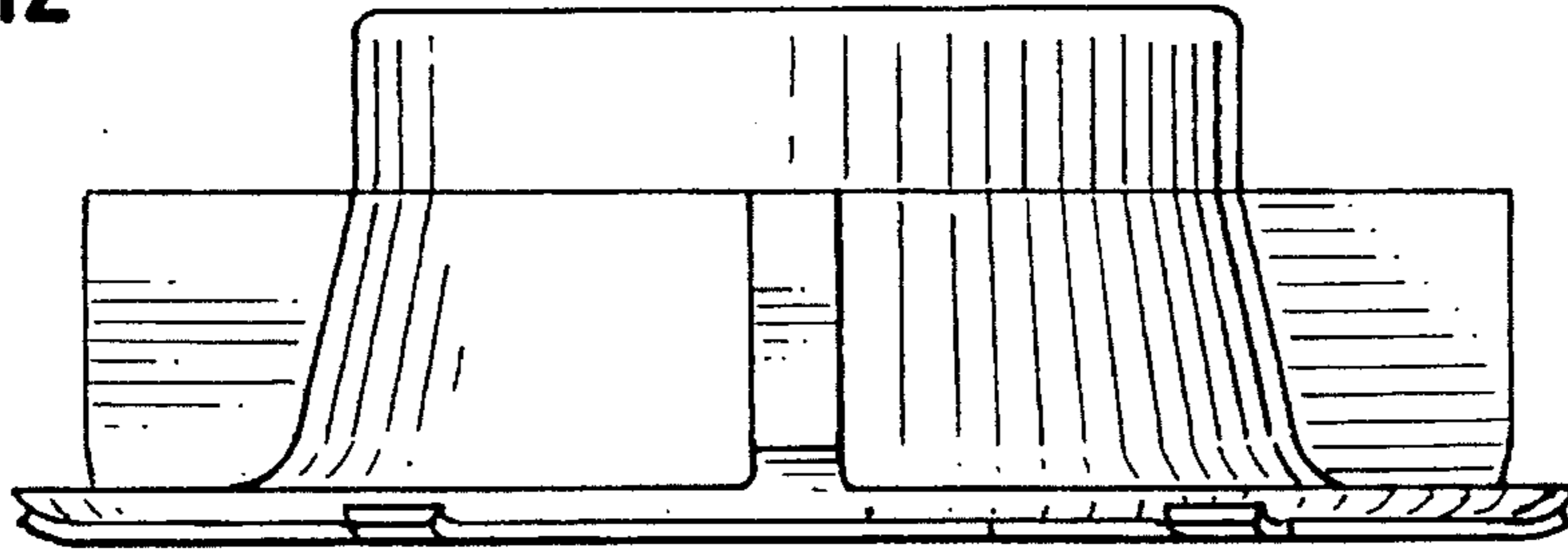


FIG. 14

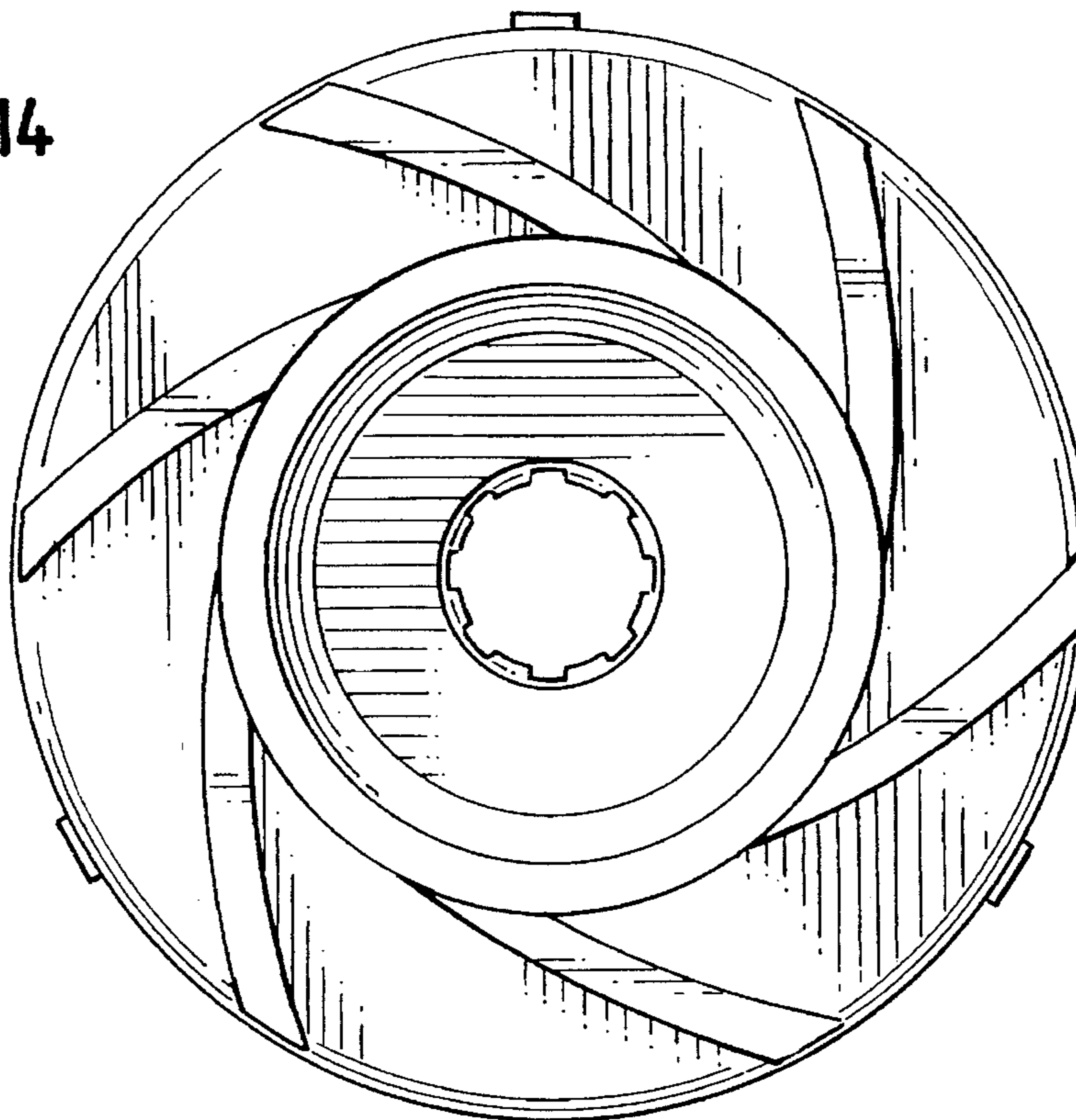


FIG. 13

