



US00D377361S

United States Patent [19]
Chung et al.

[11] **Patent Number: Des. 377,361**
[45] **Date of Patent: **Jan. 14, 1997**

[54] **SEWING MACHINE**

[75] Inventors: **Don M.-C. Chung; Robert S. Turnbull**, both of Taichung, Taiwan

[73] Assignee: **The Singer Company N.V.**, Curacao, Netherlands Antilles

[**] Term: **14 Years**

[21] Appl. No.: **40,374**

[22] Filed: **Jun. 16, 1995**

[52] U.S. Cl. **D15/70**

[58] Field of Search **D15/66-72; 112/217.1-217.4, 112/258-262.1**

[56] **References Cited**

U.S. PATENT DOCUMENTS

- D. 253,705 12/1979 Felix et al. D15/69
- D. 290,367 6/1987 Aono D15/68 X

OTHER PUBLICATIONS

Vogue, 3-4/81, backcover, sewing machine.

Primary Examiner—Terry A. Wallace

Attorney, Agent, or Firm—McCormick, Paulding & Huber

[57] **CLAIM**

The ornamental design for the sewing machine, as shown.

DESCRIPTION

FIG. 1 is a front perspective view of a sewing machine showing the design;

FIG. 2 is a front elevational view thereof;

FIG. 3 is a rear elevational view thereof;

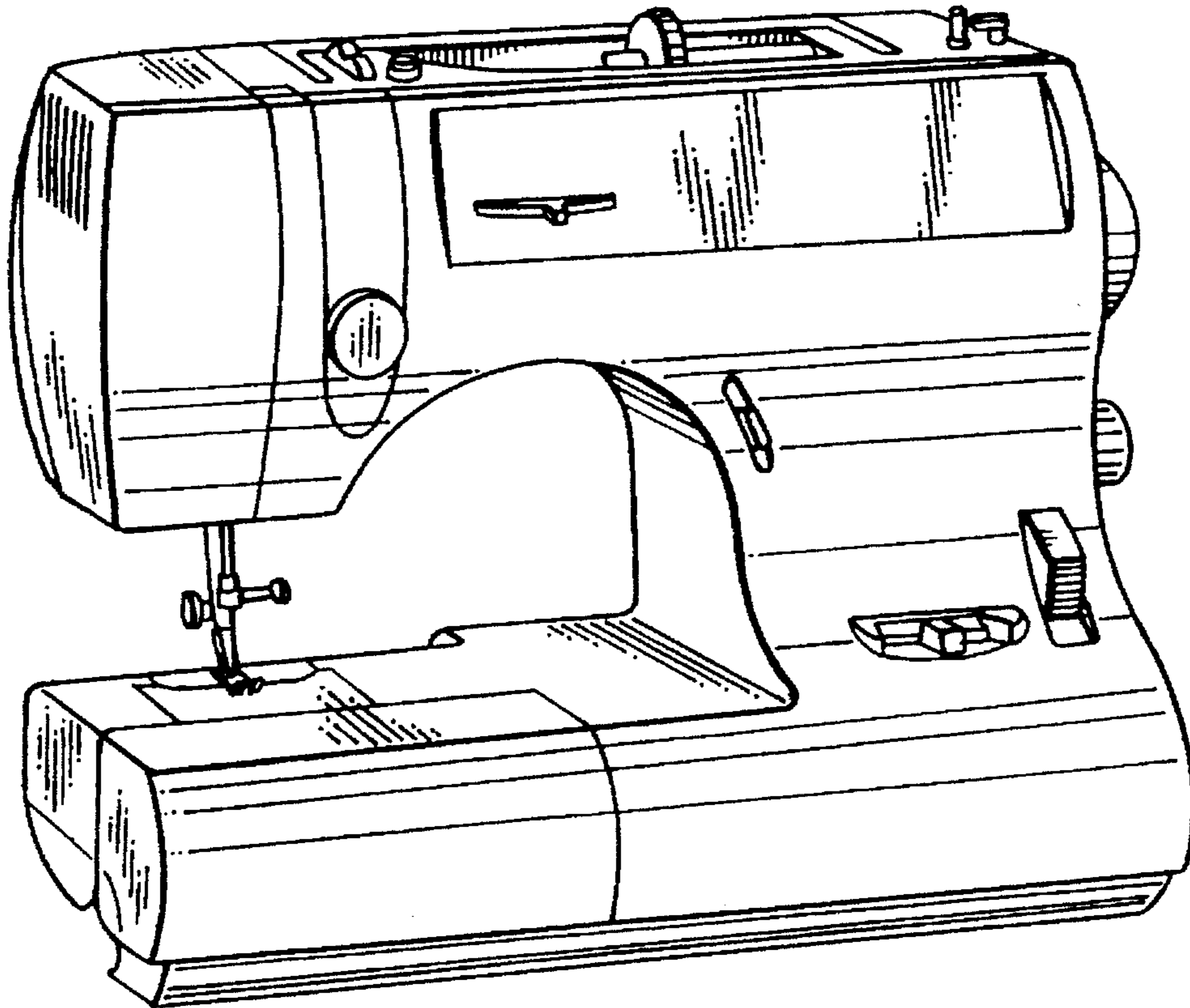
FIG. 4 is a left side elevational view thereof;

FIG. 5 is a right side elevational view thereof;

FIG. 6 is a top plan view thereof; and,

FIG. 7 is a bottom plan view thereof.

1 Claim, 3 Drawing Sheets



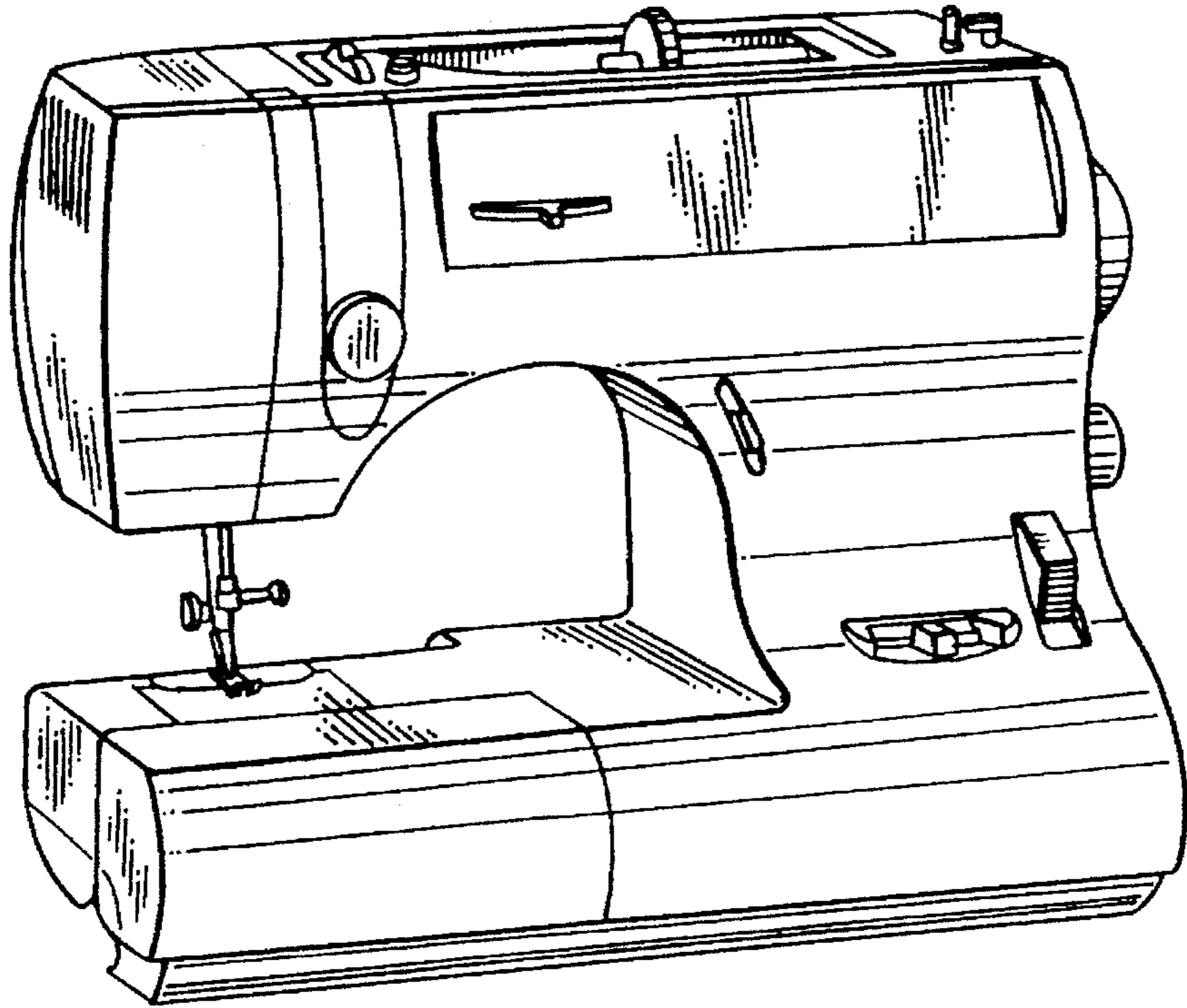


FIG. 1

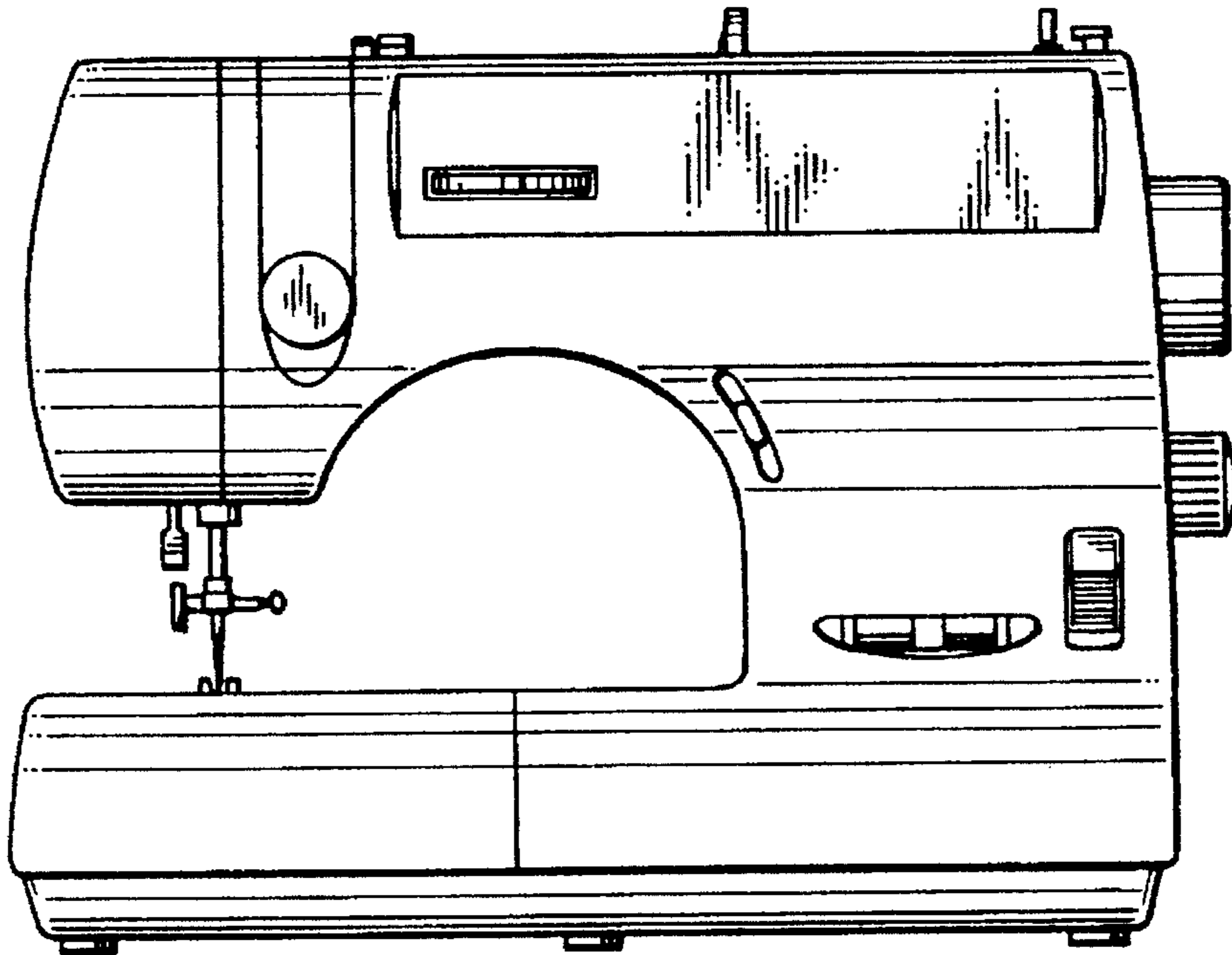


FIG. 2

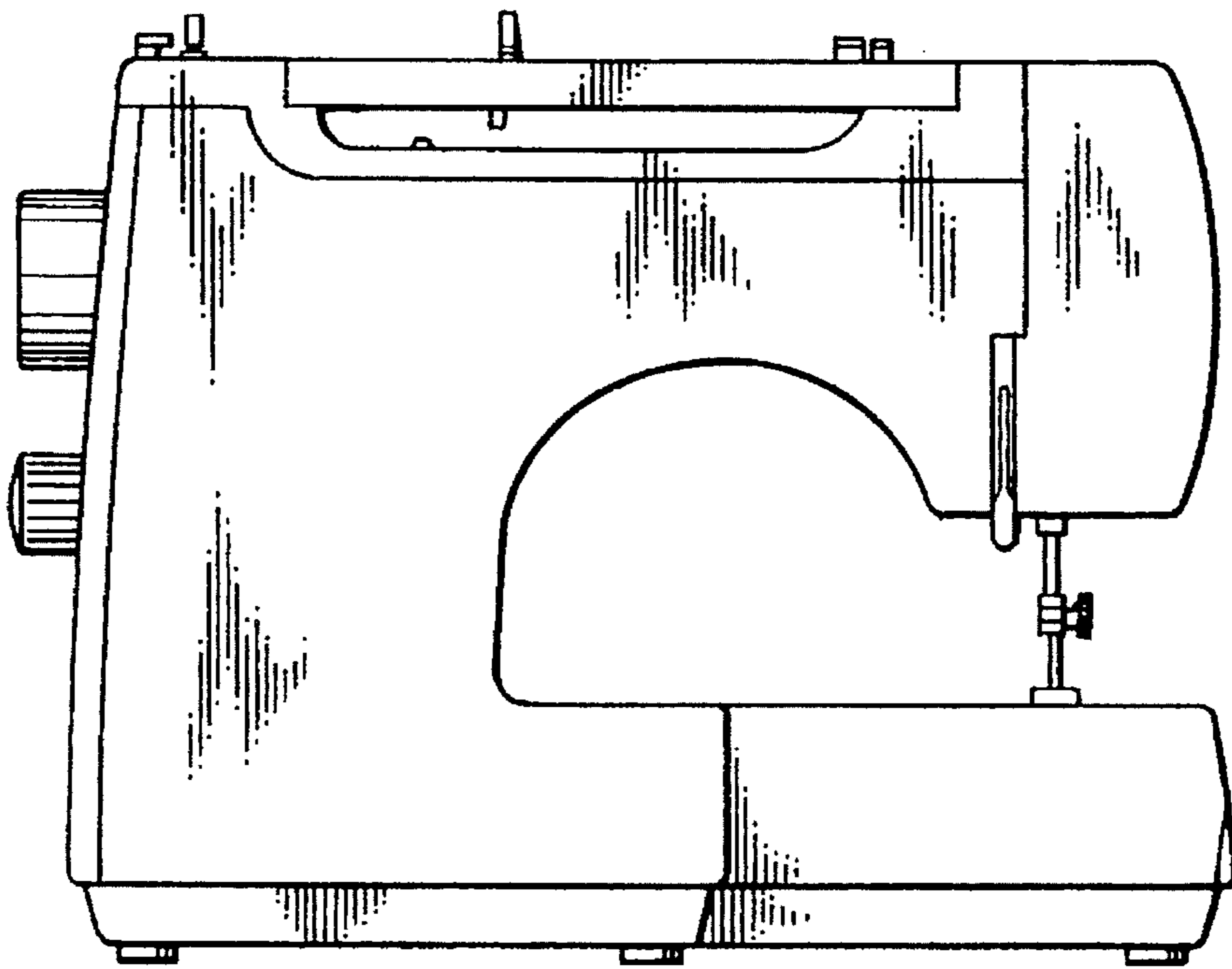


FIG. 3

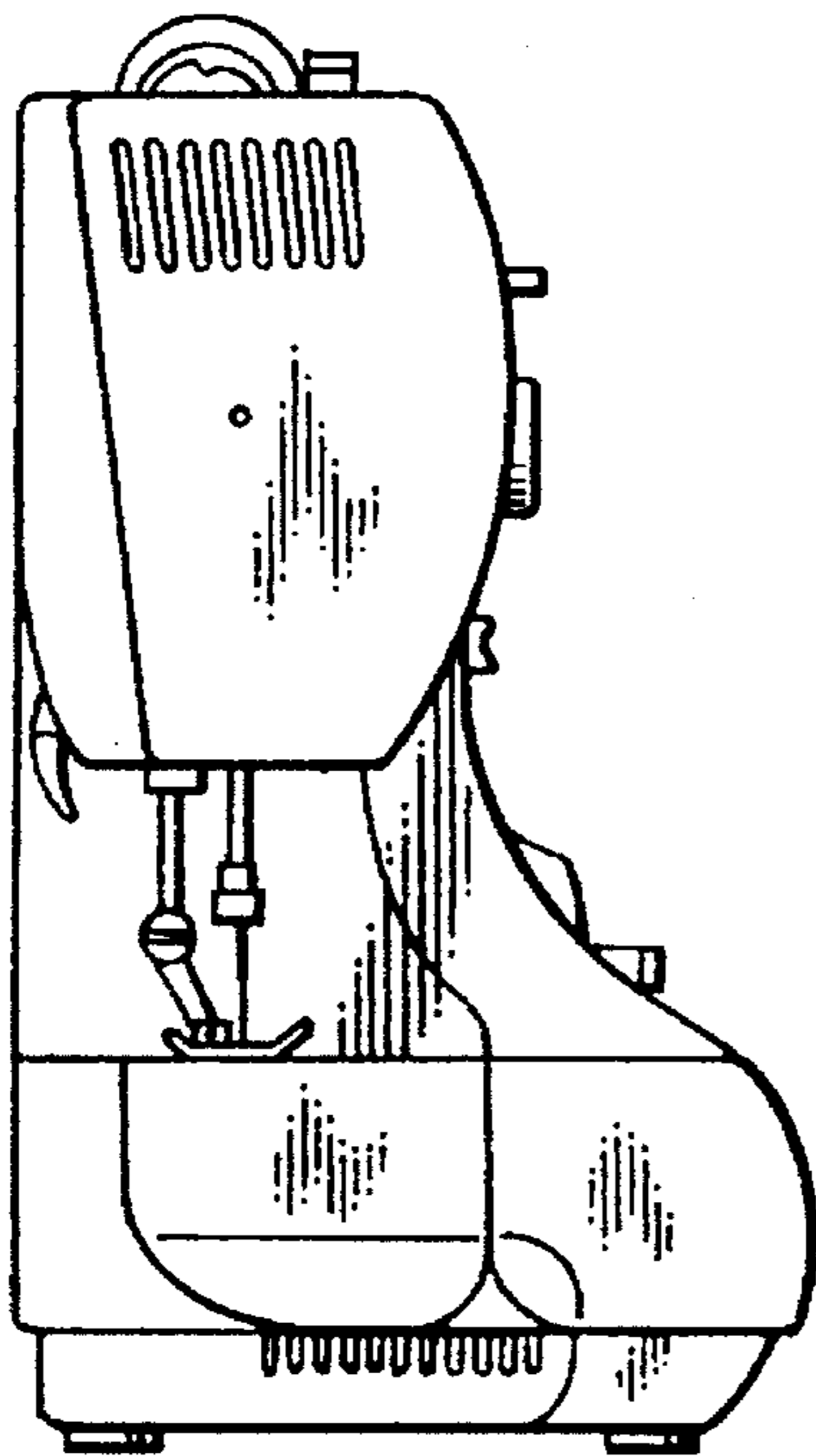


FIG. 4

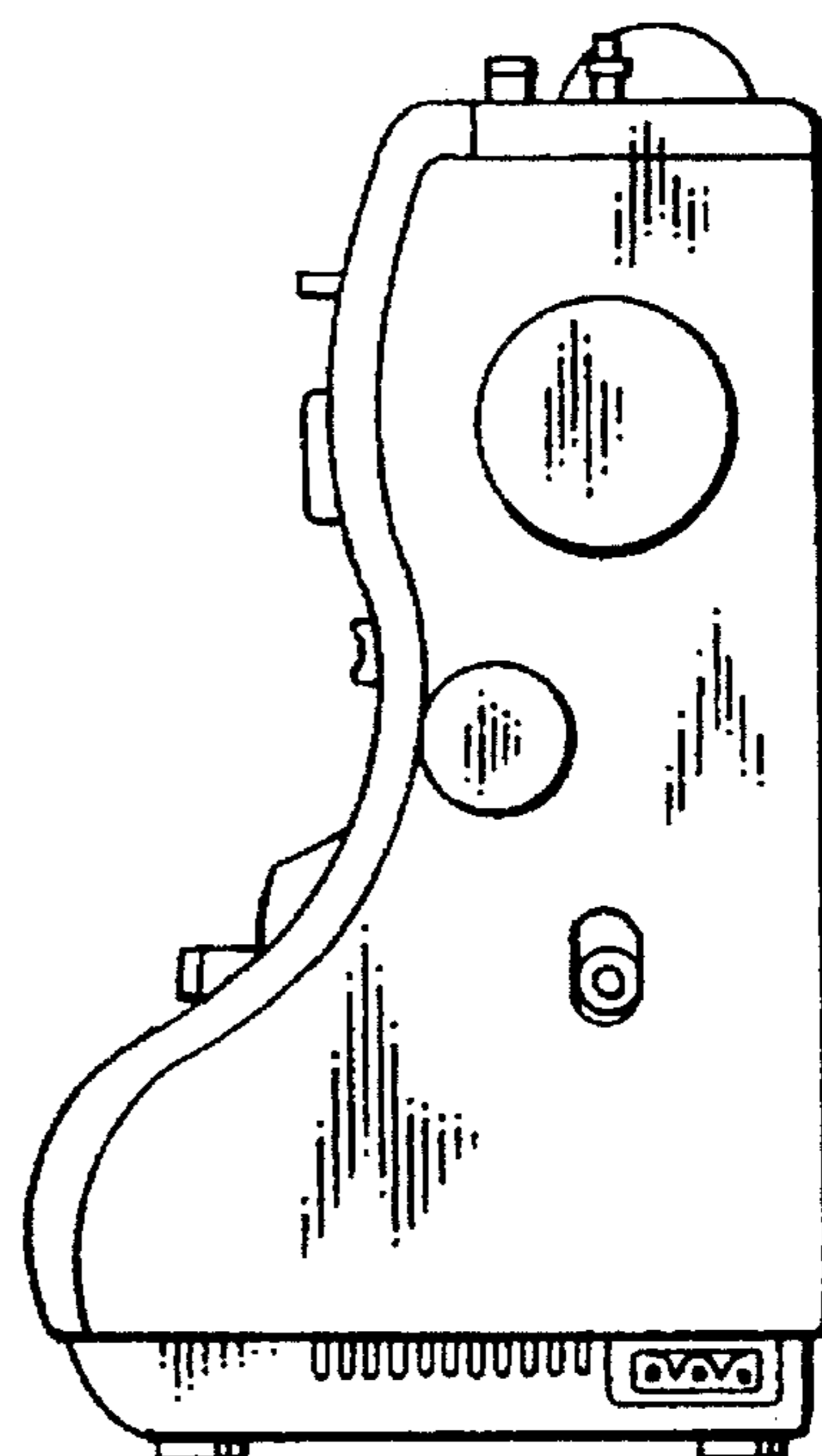


FIG. 5

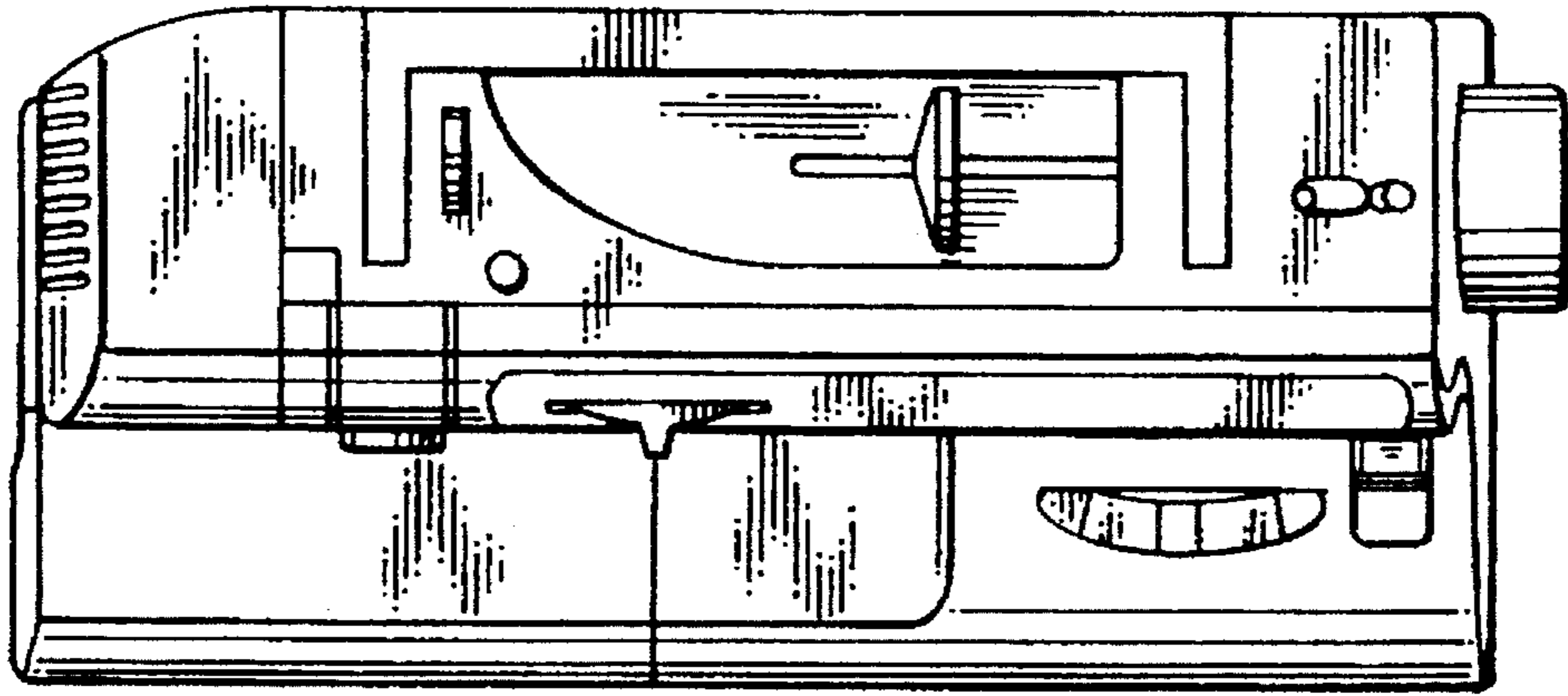


FIG. 6

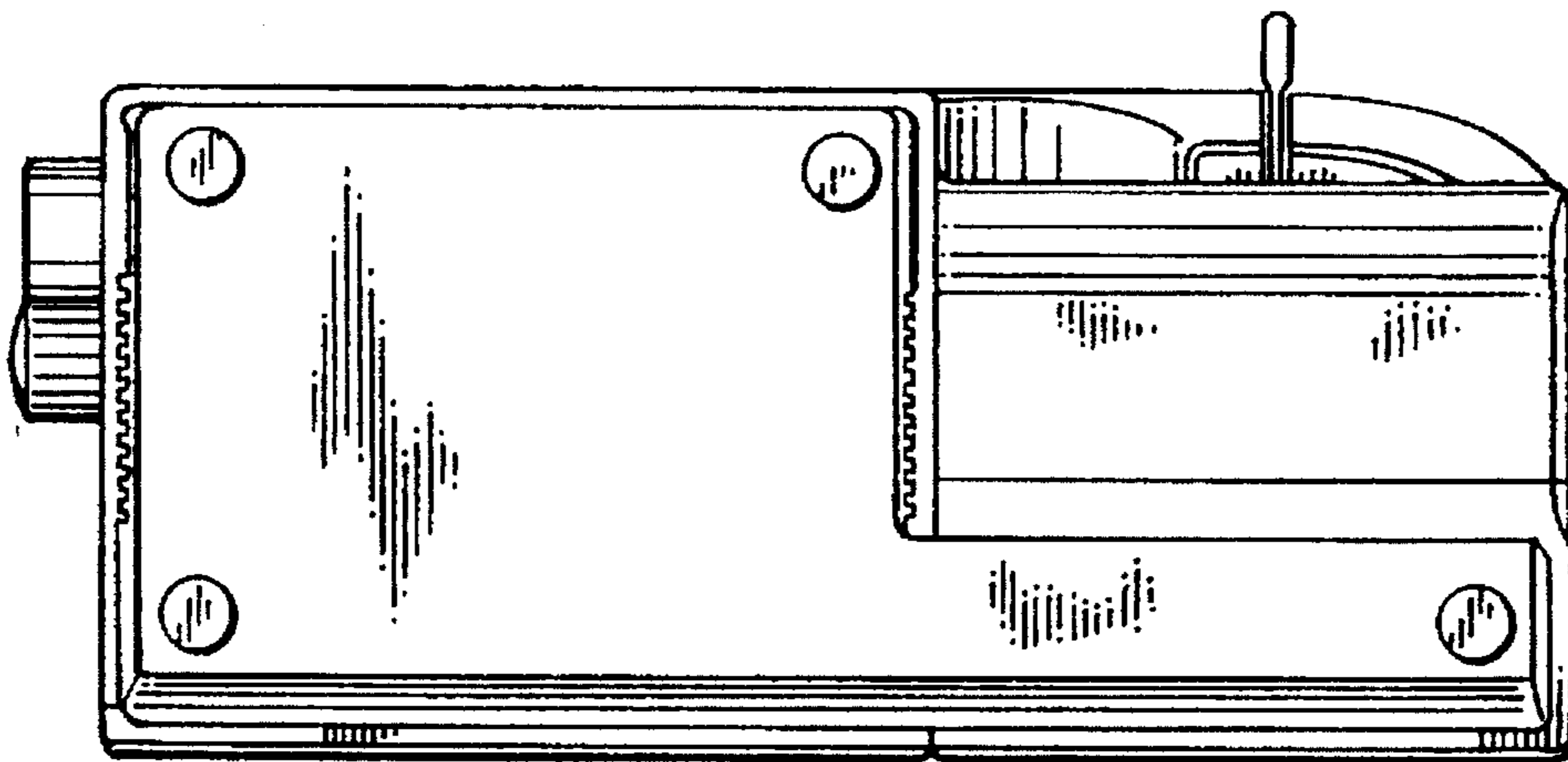


FIG. 7