



US00D377360S

United States Patent [19]

Chung et al.

[11] Patent Number: **Des. 377,360**

[45] Date of Patent: ****Jan. 14, 1997**

[54] SEWING MACHINE

D. 359,965 7/1995 Nakajima et al. D15/69
4,217,841 8/1980 Daldo et al. D15/68 X

[75] Inventors: **Don M.-C. Chung; Robert S. Turnbull**, both of Taichung, Taiwan

Primary Examiner—Terry A. Wallace
Attorney, Agent, or Firm—McCormick, Paulding & Huber

[73] Assignee: **The Singer Company N.V.**, Curacao, Netherlands Antilles

[57] CLAIM

[**] Term: **14 Years**

The ornamental design for the sewing machine, as shown.

[21] Appl. No.: **40,367**

DESCRIPTION

[22] Filed: **Jun. 16, 1995**

FIG. 1 is a front perspective view of a sewing machine showing the design;

[52] U.S. Cl. **D15/70**

FIG. 2 is a front elevational view thereof;

[58] Field of Search D15/66-72; 112/217.1-217.4, 112/258-262.1

FIG. 3 is a rear elevational view thereof;

FIG. 4 is a left side elevational view thereof;

FIG. 5 is a right side elevational view thereof;

FIG. 6 is a top plan view thereof; and,

FIG. 7 is a bottom plan view thereof.

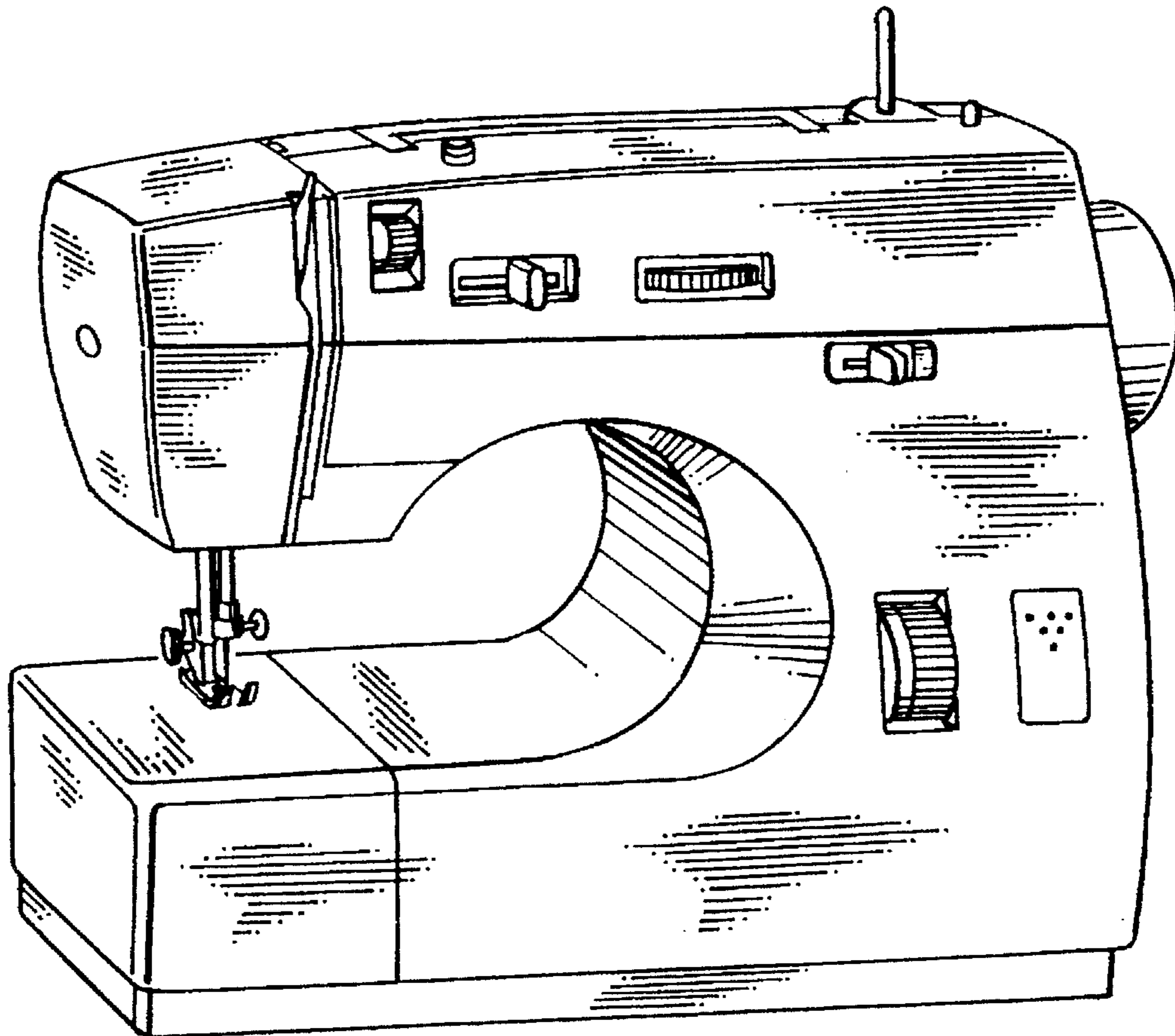
[56] References Cited

U.S. PATENT DOCUMENTS

D. 184,556 3/1959 Bono D15/68

D. 292,712 11/1987 Aono D15/69 X

1 Claim, 3 Drawing Sheets



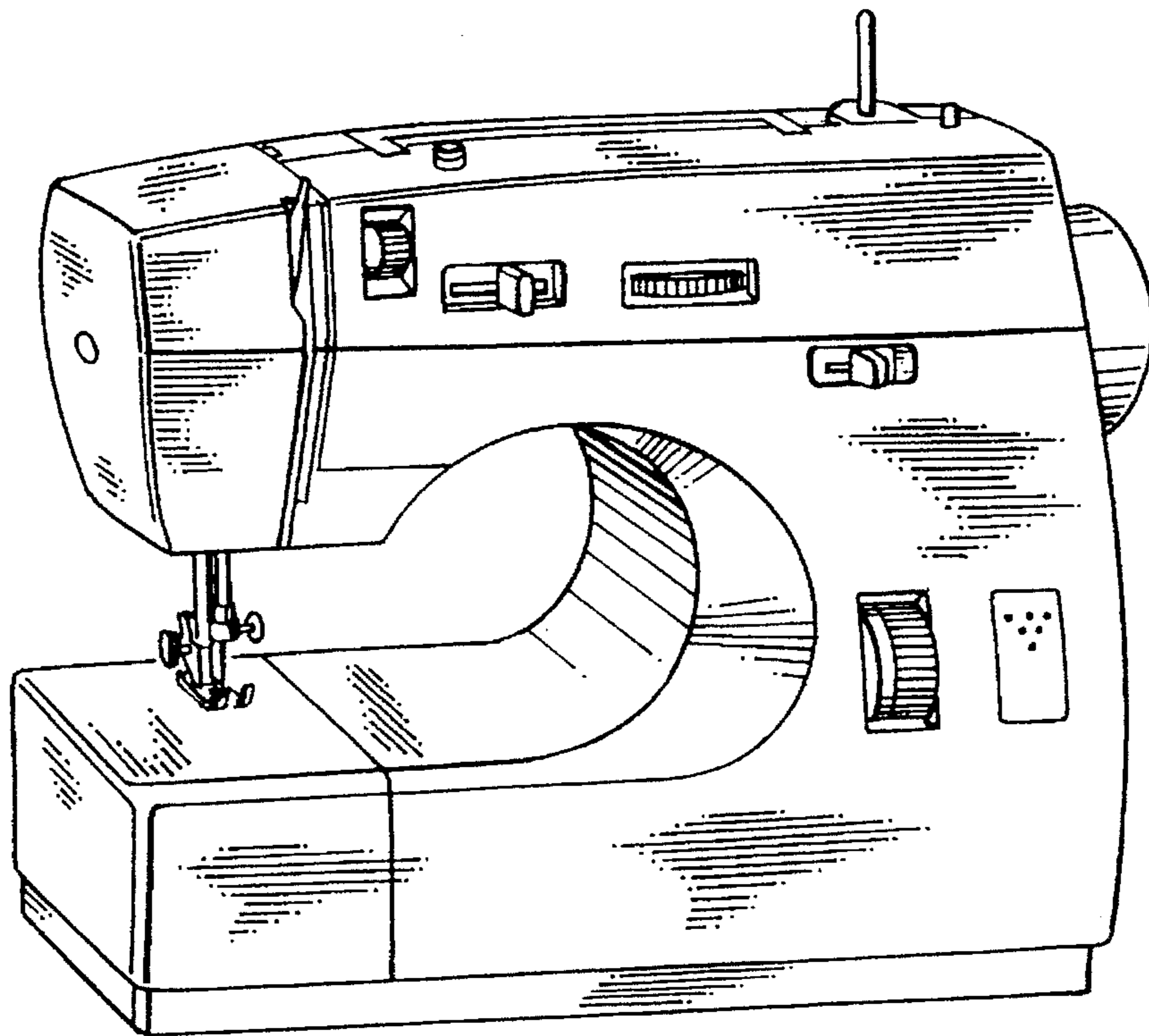


FIG. 1

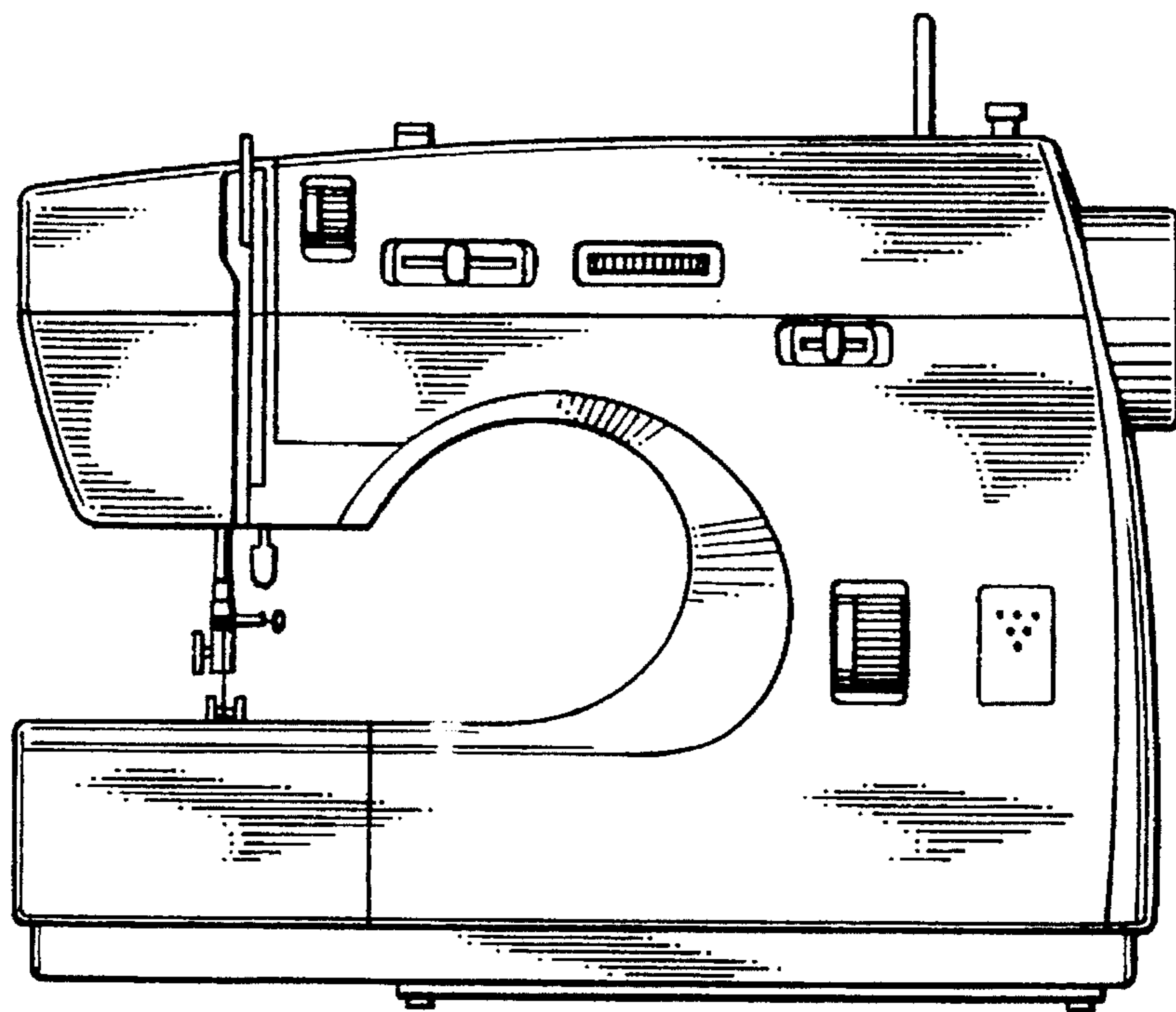


FIG. 2

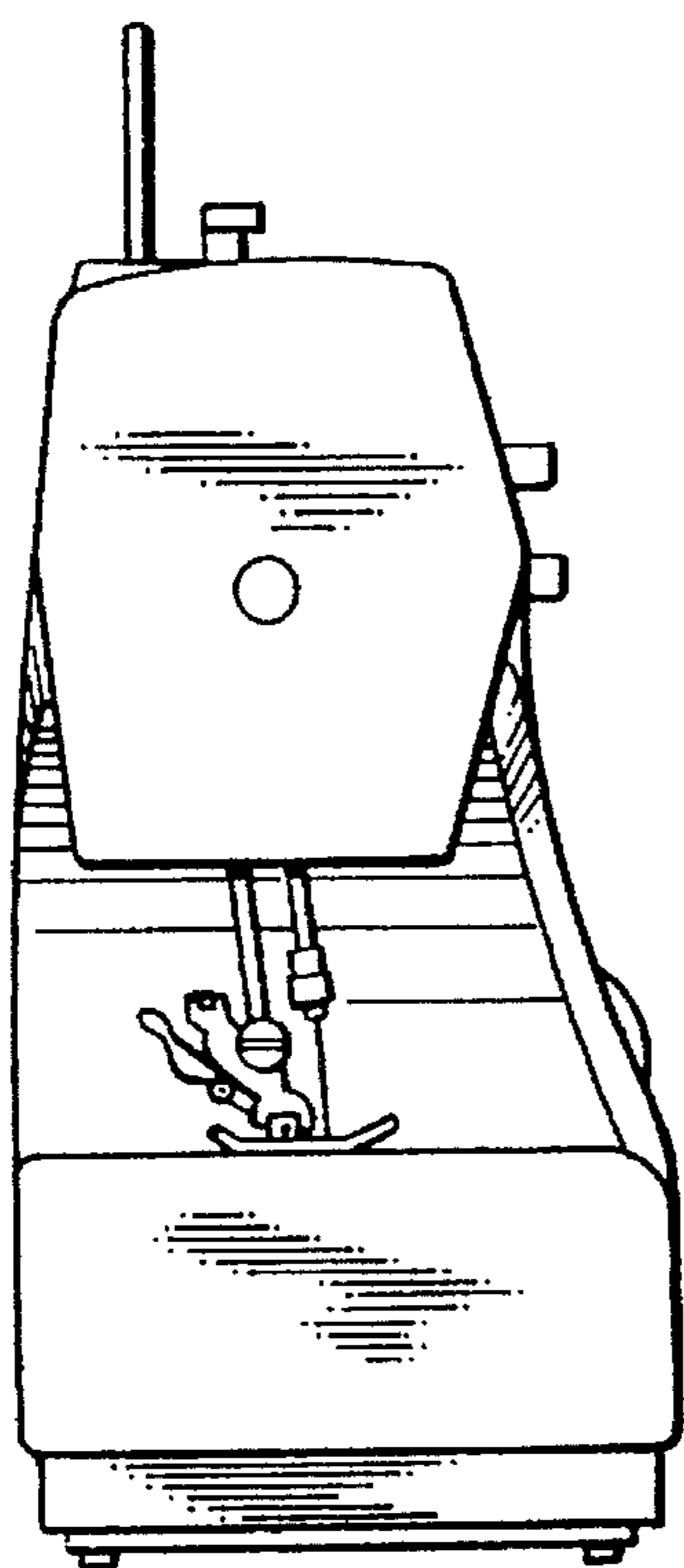


FIG. 4

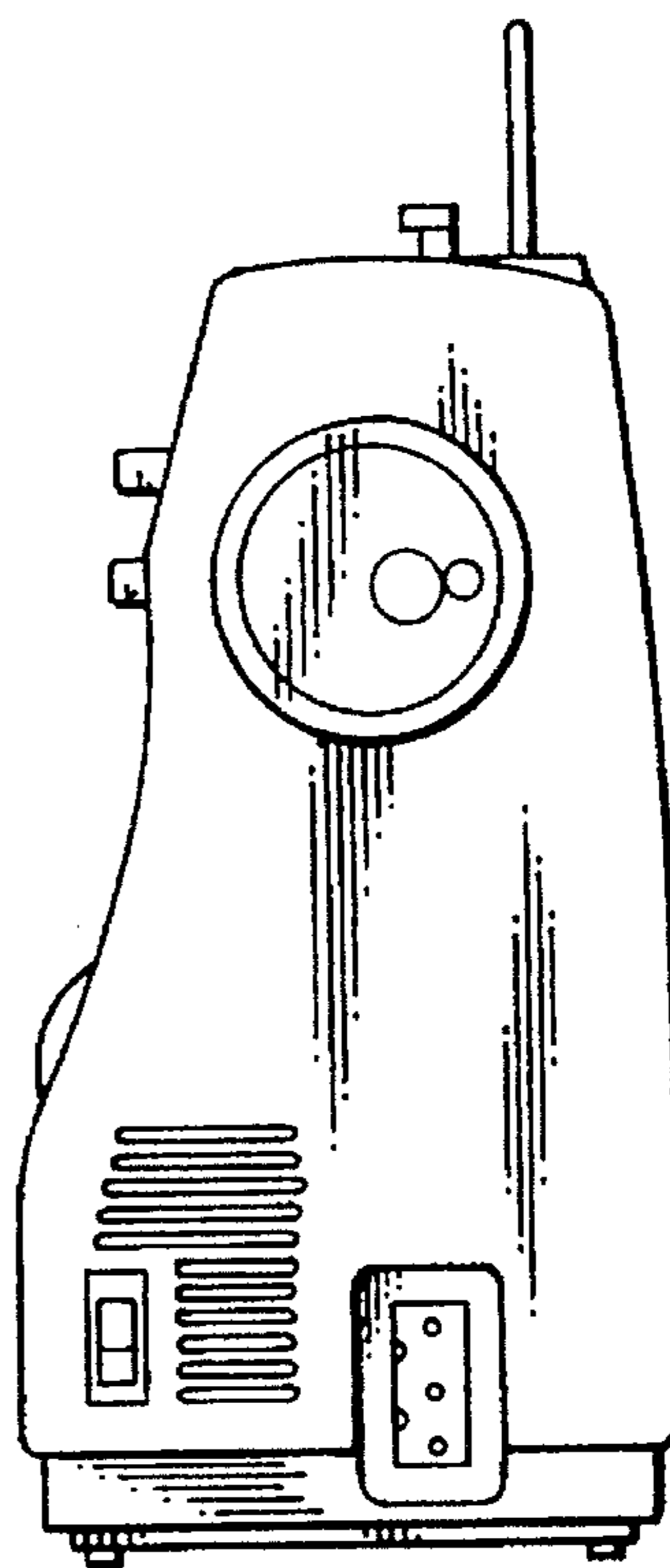


FIG. 5

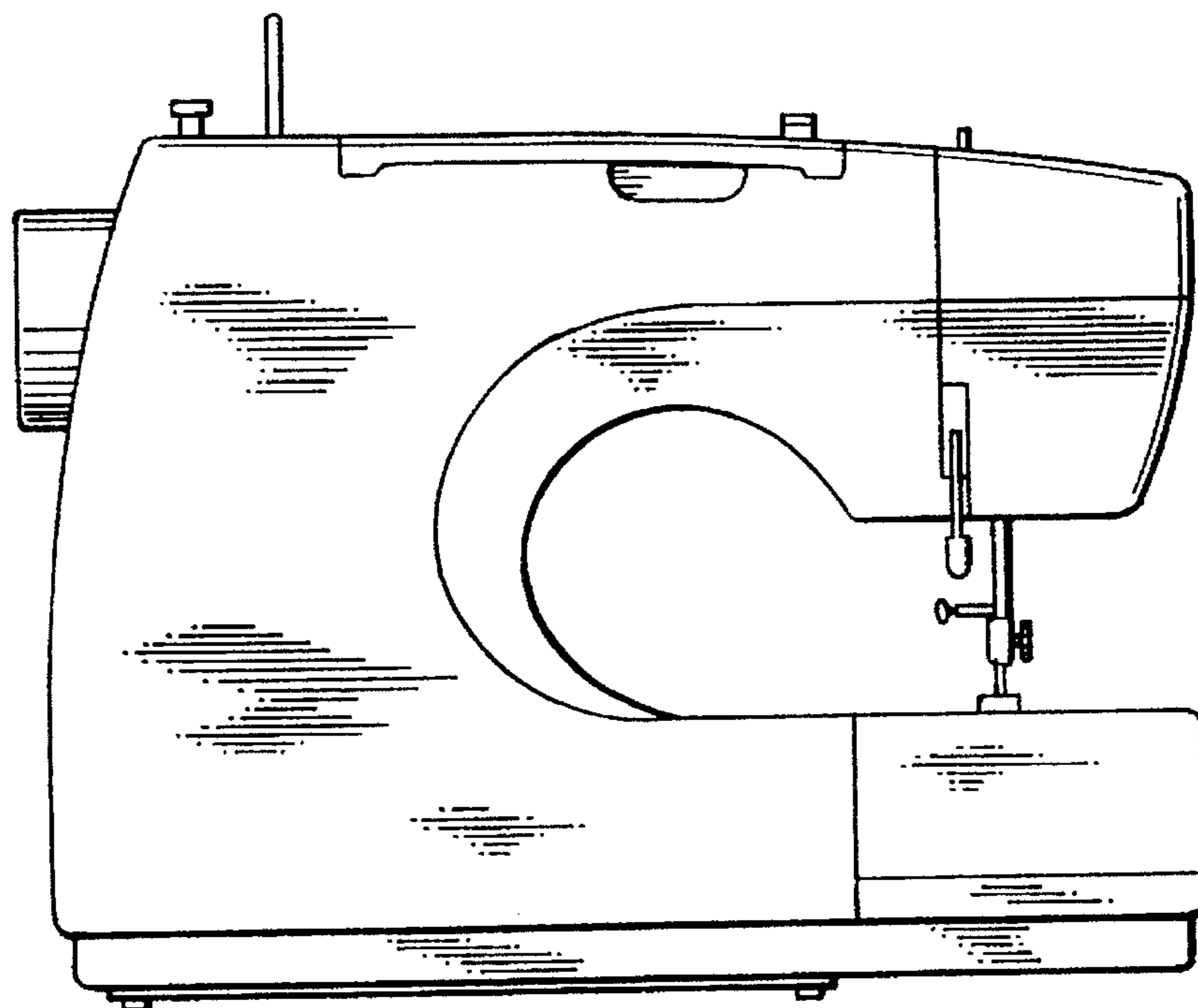


FIG. 3

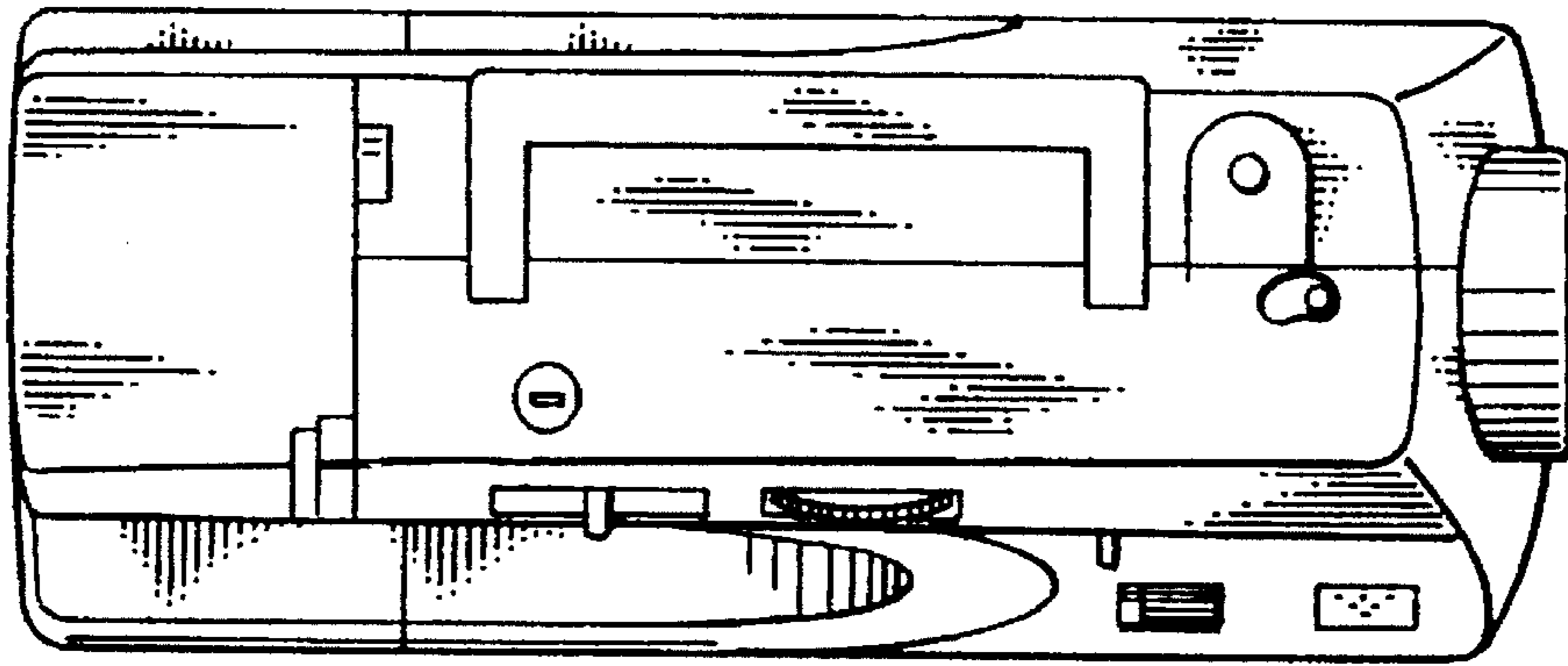


FIG. 6

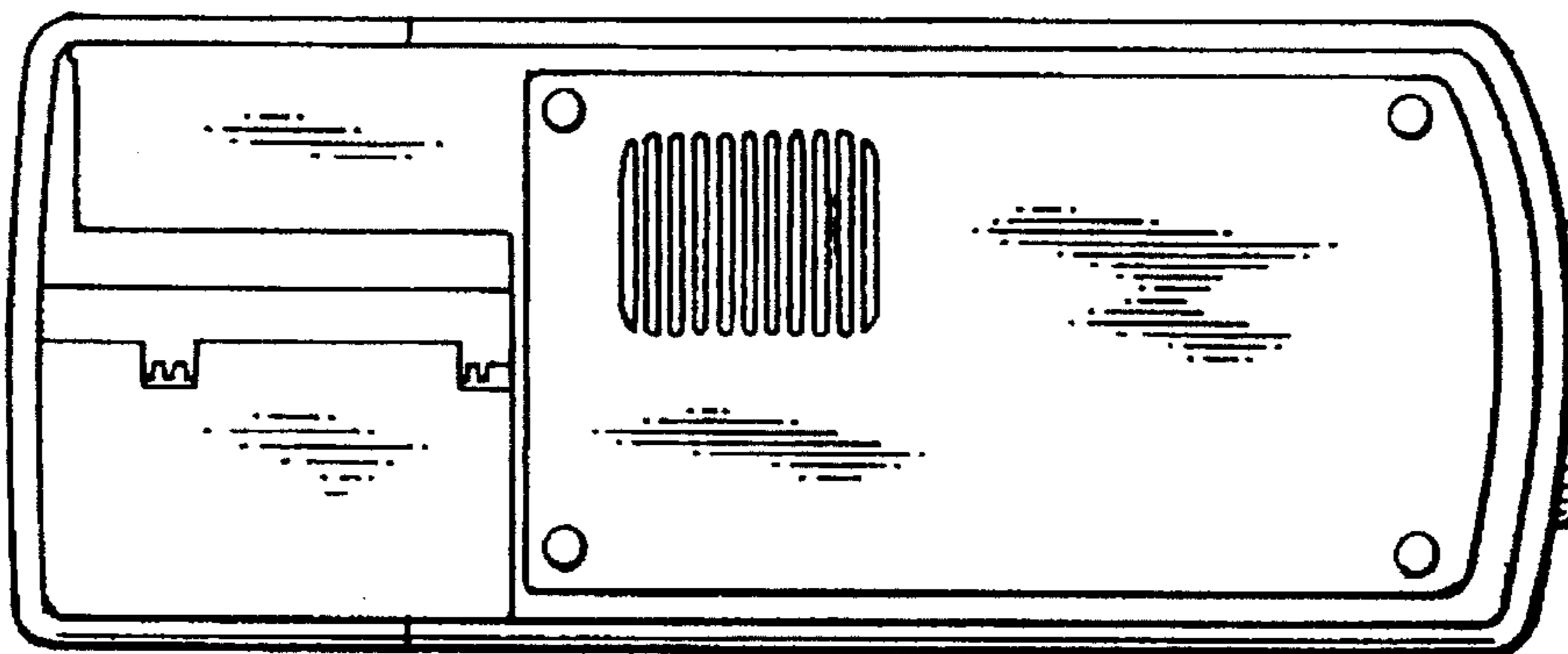


FIG. 7