



US00D377358S

# United States Patent [19]

[11] Patent Number: **Des. 377,358**

Tippmann, Sr.

[45] Date of Patent: **\*\*Jan. 14, 1997**

[54] **COMBINED HOUSING AND OPERATIVE HANDLE FOR A HAND-OPERATED SEWING MACHINE**

[75] Inventor: **Dennis J. Tippmann, Sr.**, New Haven, Ind.

[73] Assignee: **Tippmann Pneumatics, Inc.**, Fort Wayne, Ind.

[\*\*] Term: **14 Years**

[21] Appl. No.: **46,032**

[22] Filed: **Nov. 6, 1995**

[52] U.S. Cl. .... **D15/69**

[58] Field of Search ..... D15/66-78; 112/217.1-217.4, 112/258-262.1, 169, 303, 310, 221

### [56] References Cited

#### U.S. PATENT DOCUMENTS

D. 5,407	12/1871	Secor .....	D15/69
205,200	7/1966	Korenman et al. ....	D15/69 X
389,081	9/1988	Ingraham et al. .	
402,597	5/1989	Hubbell .	
668,481	2/1901	Benoit .	
1,809,192	6/1931	Cahill et al. .	
2,176,977	10/1939	Nicolay .	
2,206,484	7/1940	Monroe .	
2,374,731	5/1945	Christensen .....	112/258
2,479,017	8/1949	Merson et al. .	
2,507,814	5/1950	Rantanen .	
2,594,534	4/1952	Bell .	
3,165,080	1/1965	Castelletti .	
3,390,652	7/1968	Morris .	

3,435,789	4/1969	Kuramochi .
3,745,950	7/1973	Kato .
3,834,333	9/1974	Seyama .
3,837,306	9/1974	Doyel .
3,957,004	5/1976	Ketterer et al. .
4,185,573	1/1980	Naito .
4,236,470	12/1980	Stenson .
4,401,043	8/1983	Peterson .
4,428,312	1/1984	Ketterer .
4,501,211	2/1985	Seyama .
4,503,791	3/1985	Killinger .
4,505,213	3/1985	Killinger .
4,535,711	8/1995	Ketterer .
5,389,103	2/1995	Melzer et al. .
5,396,853	3/1995	Huang .

Primary Examiner—Terry A. Wallace  
Attorney, Agent, or Firm—Barnes & Thornburg

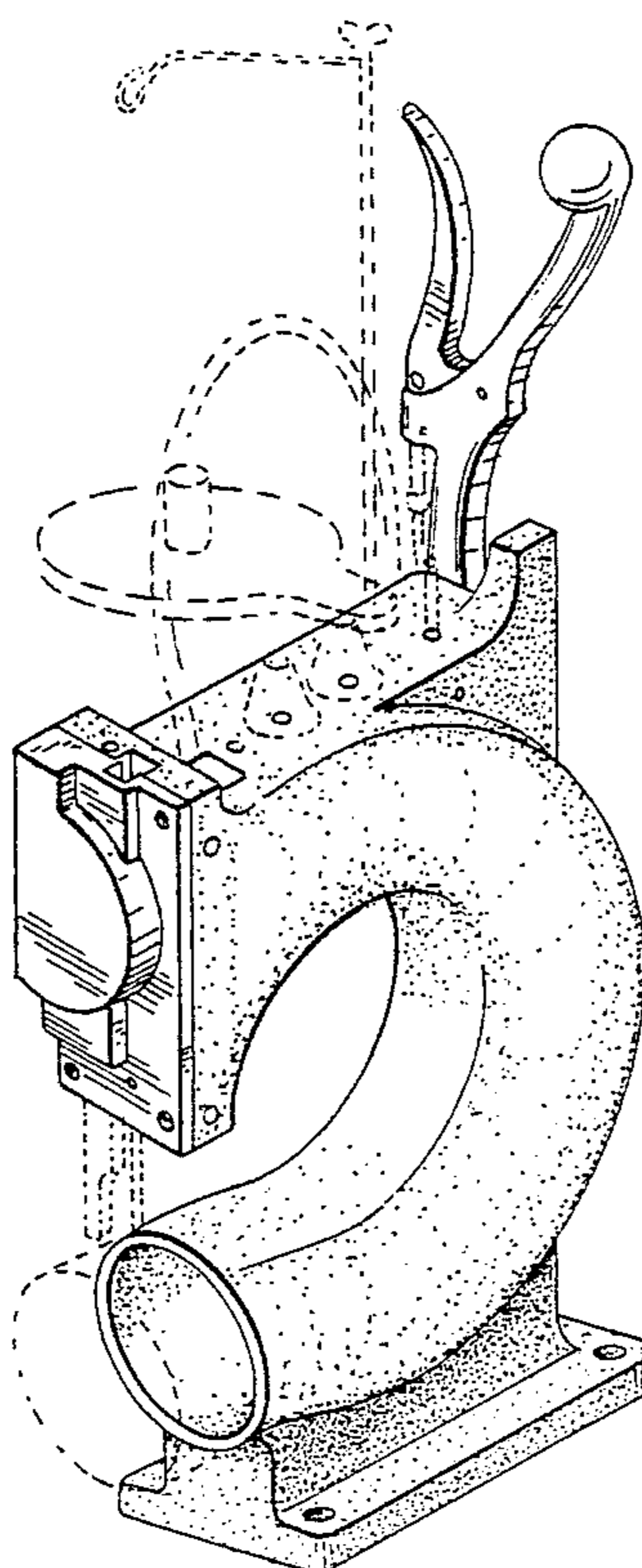
### [57] CLAIM

The ornamental design for a combined housing and operative handle for a hand-operated sewing machine, as shown and described.

### DESCRIPTION

FIG. 1 is a perspective view of a combined housing and operative handle for a hand-operated sewing machine showing my new design, the broken lines are shown for illustrative purposes only and form no part of the claimed design; FIG. 2 is a front elevation view thereof; FIG. 3 is a left side elevation view thereof; FIG. 4 is a right side elevation view thereof; FIG. 5 is a rear elevation view thereof; and, FIG. 6 is a top plan view thereof.

1 Claim, 2 Drawing Sheets



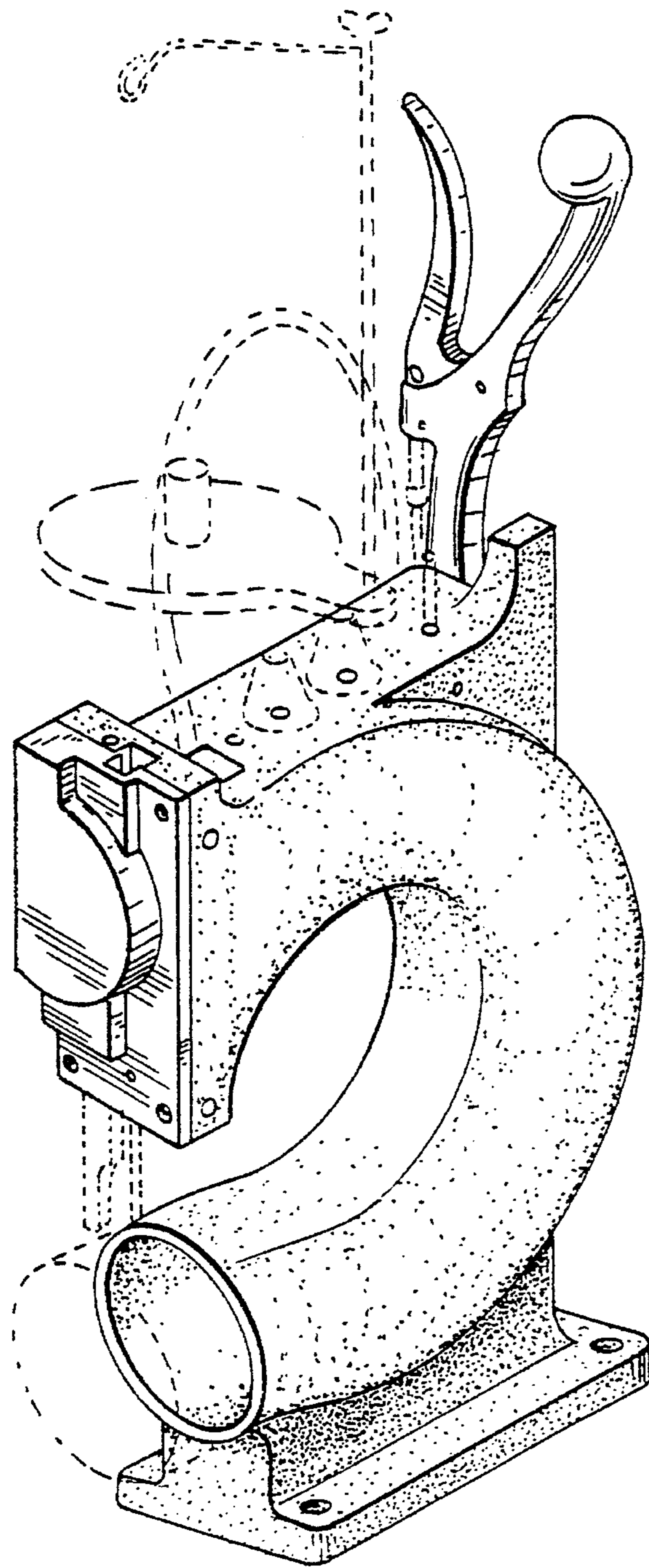
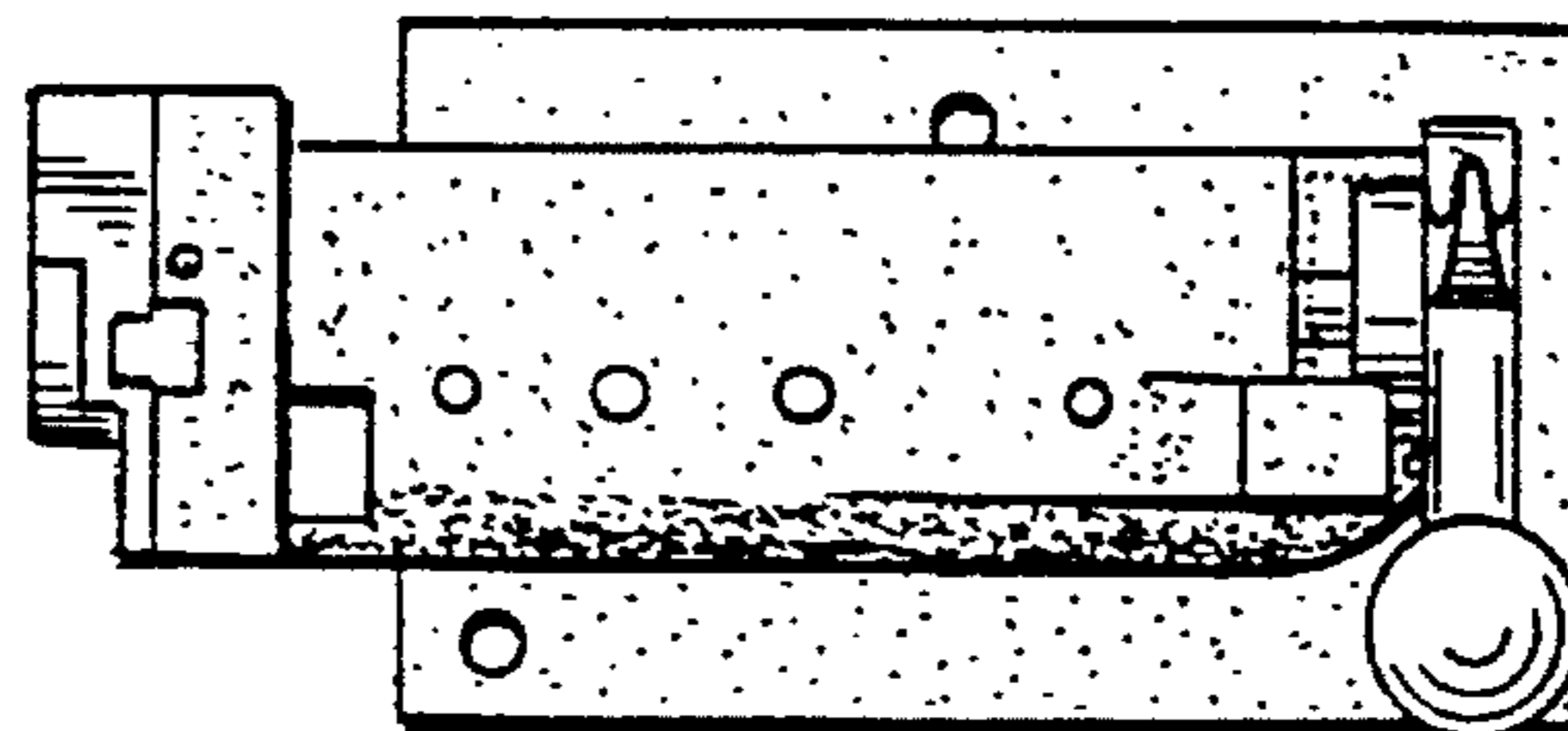
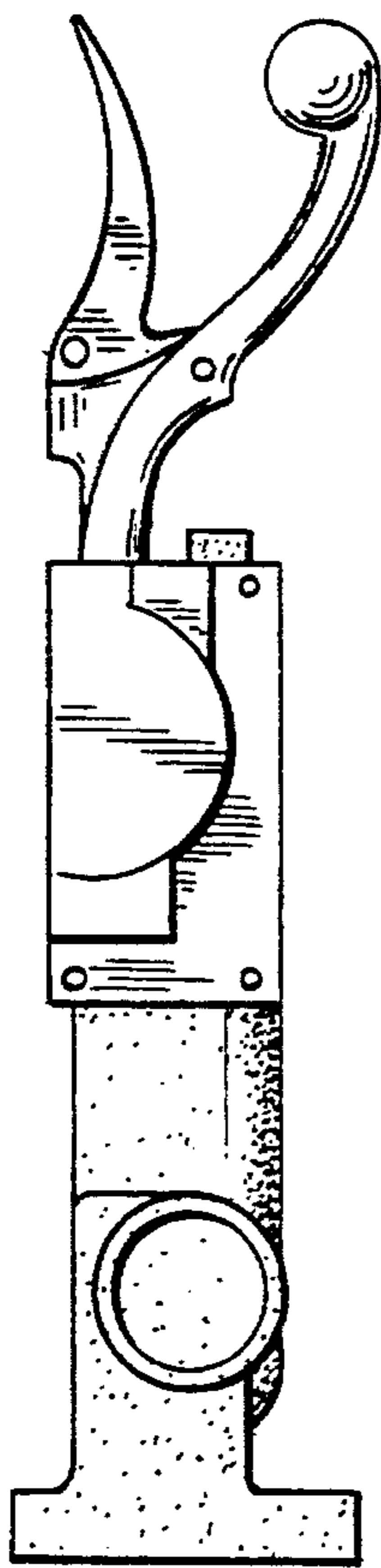


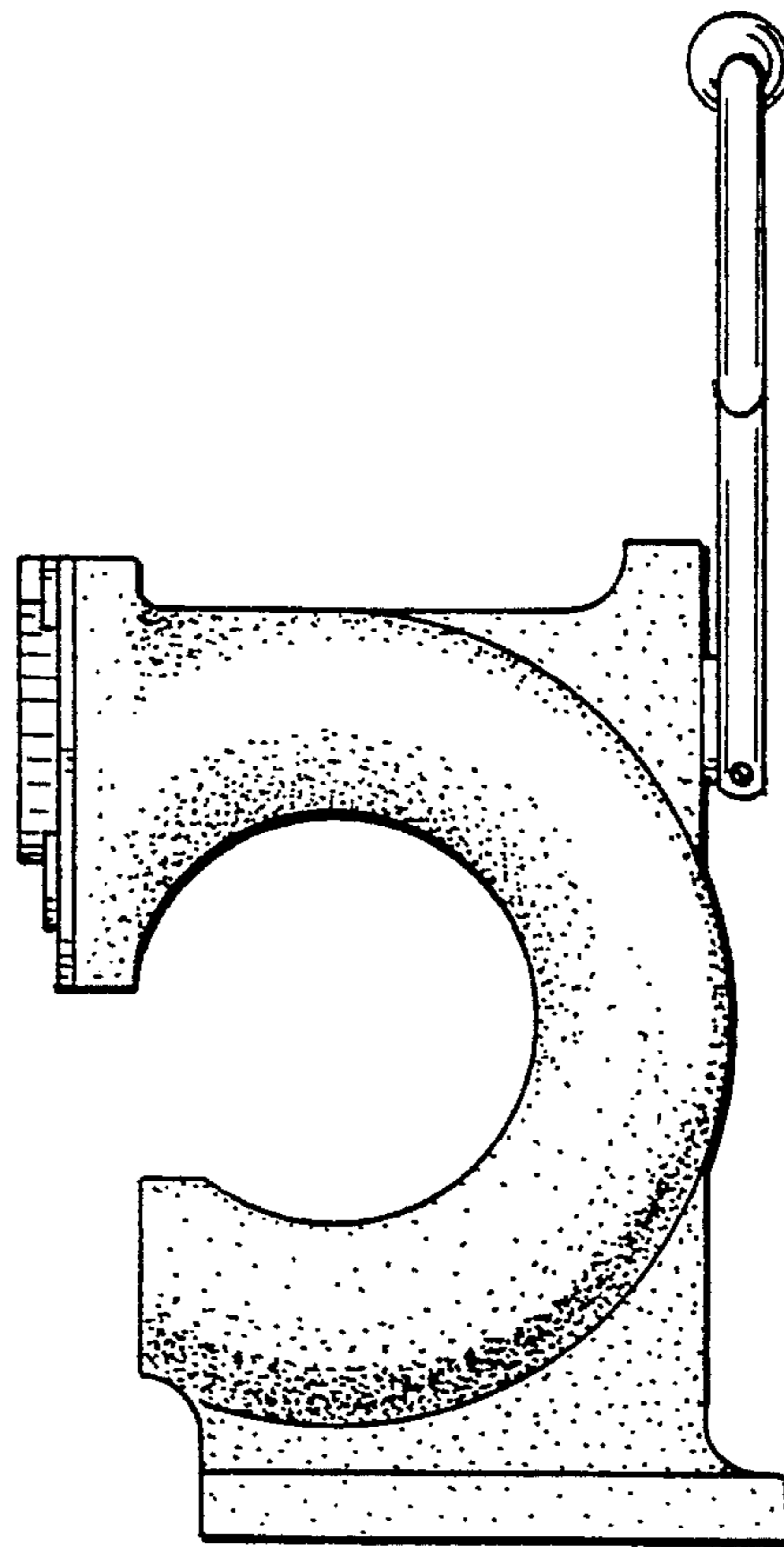
FIG. 1

FIG. 6

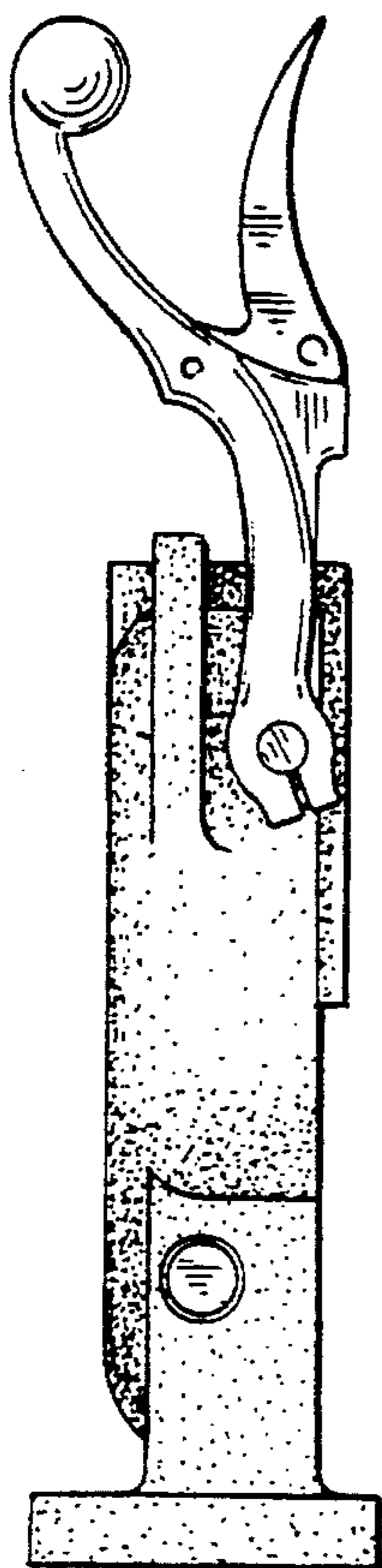




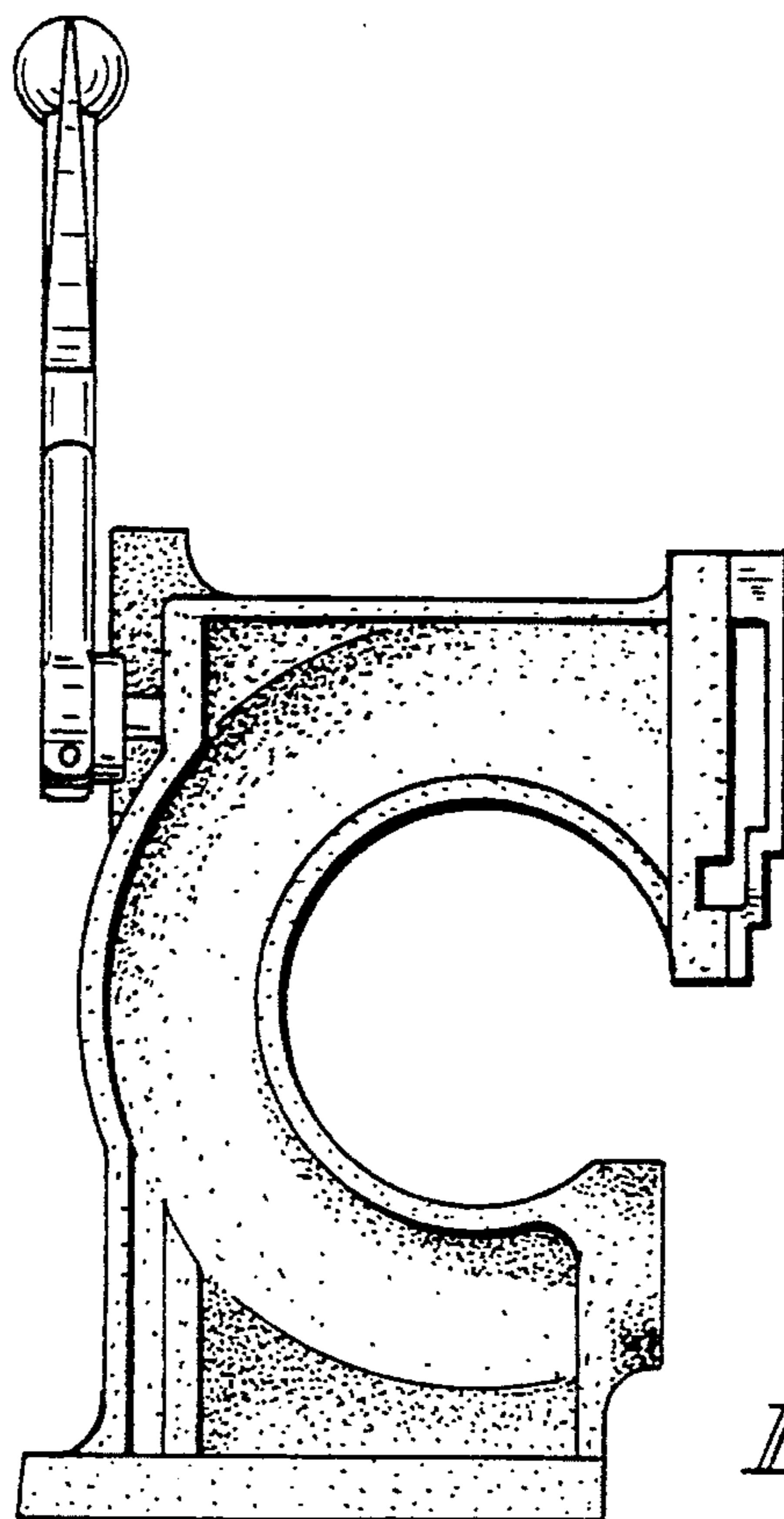
*FIG. 3*



*FIG. 2*



*FIG. 4*



*FIG. 5*