



US00D377357S

United States Patent [19]

Tseng

[11] Patent Number: **Des. 377,357**

[45] Date of Patent: ****Jan. 14, 1997**

[54] **OVERLOCK SEWING MACHINE**

4,407,211 10/1983 Kiyoshima 112/260

[76] Inventor: **Hsien-Chang Tseng**, No. 206-7, Sec. 1, Guo Guang Road, Da Li City, Taichung Hsien, Taiwan

Primary Examiner—Terry A. Wallace
Attorney, Agent, or Firm—Charles E. Baxley, Esq.

[**] Term: **14 Years**

[57] **CLAIM**

The ornamental design for an overlock sewing machine, as shown and described.

[21] Appl. No.: **40,692**

DESCRIPTION

[22] Filed: **Jun. 23, 1995**

[52] U.S. Cl. **D15/69**

[58] Field of Search D15/66-72; 112/217.1-217.4, 112/258-262.1

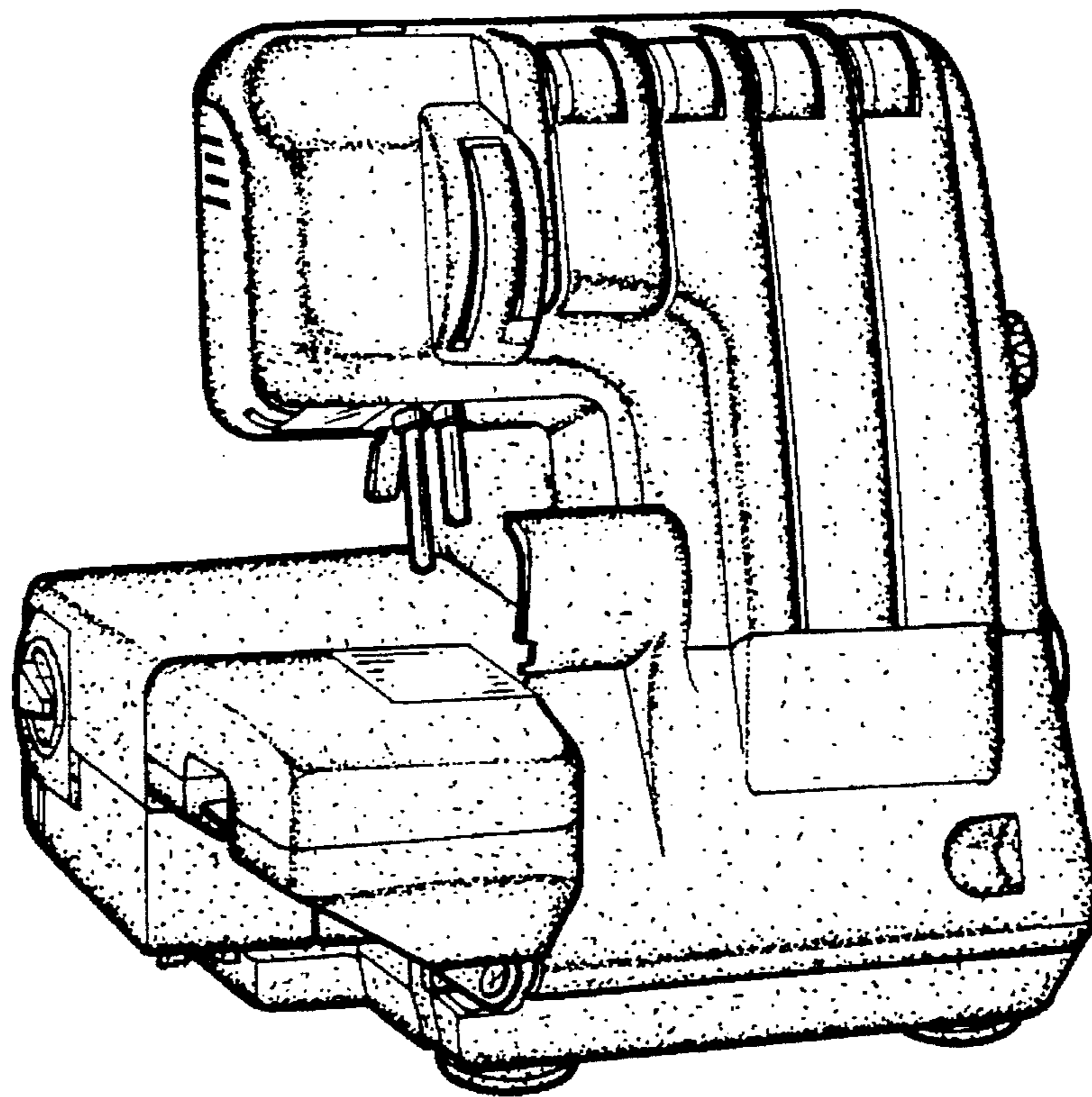
FIG. 1 is a perspective view of an overlock sewing machine showing my new design;
FIG. 2 is a front elevational view thereof;
FIG. 3 is a rear elevational view thereof;
FIG. 4 is a top plan view thereof;
FIG. 5 is a bottom plan view thereof;
FIG. 6 is a left side elevational view thereof; and,
FIG. 7 is a right side elevational view thereof.

[56] **References Cited**

U.S. PATENT DOCUMENTS

- D. 303,117 8/1989 Aono et al. D15/70
- D. 338,021 8/1993 Uchida D15/69
- D. 338,022 8/1993 Takada et al. D15/69

1 Claim, 3 Drawing Sheets



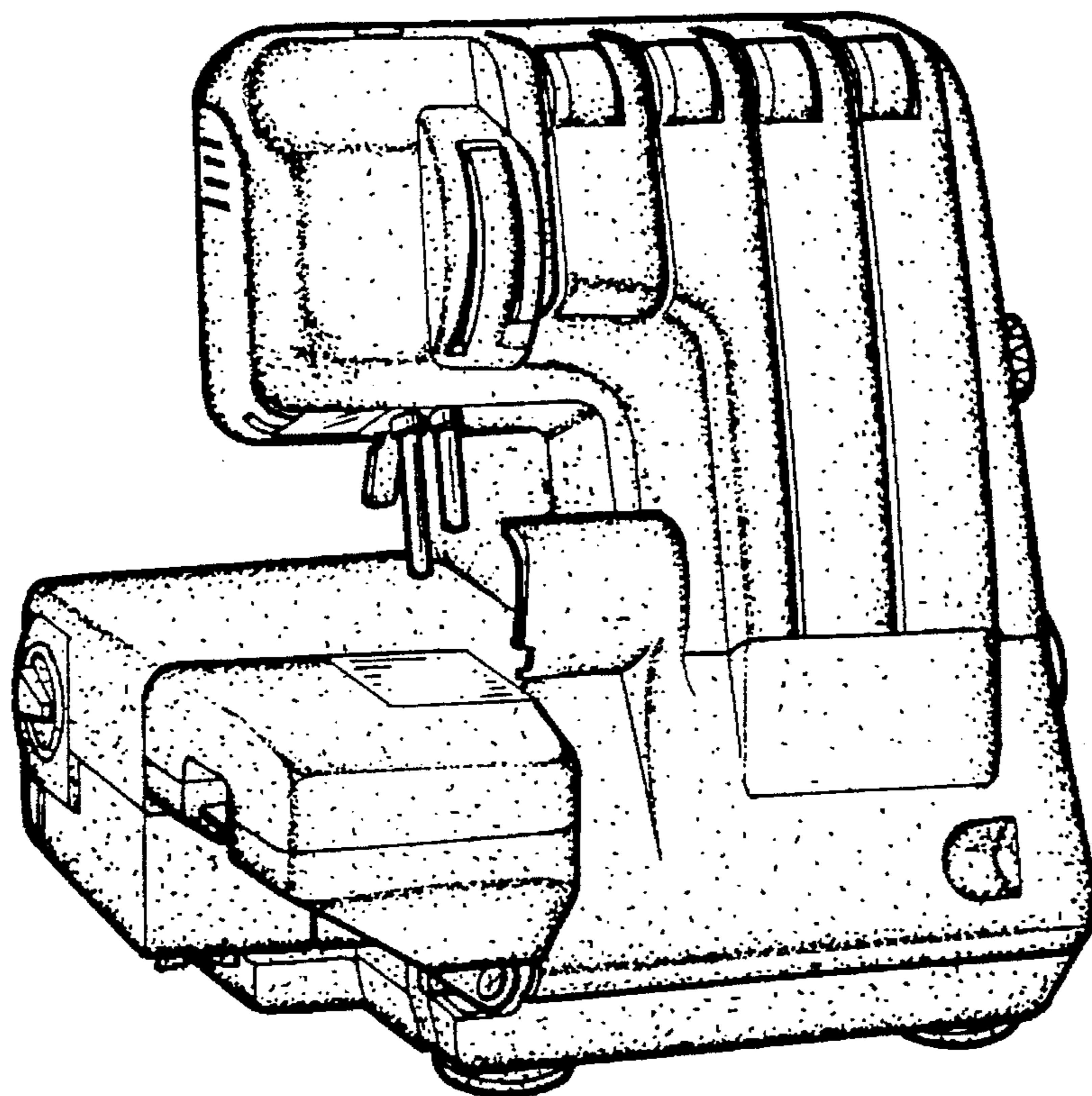


FIG. 1

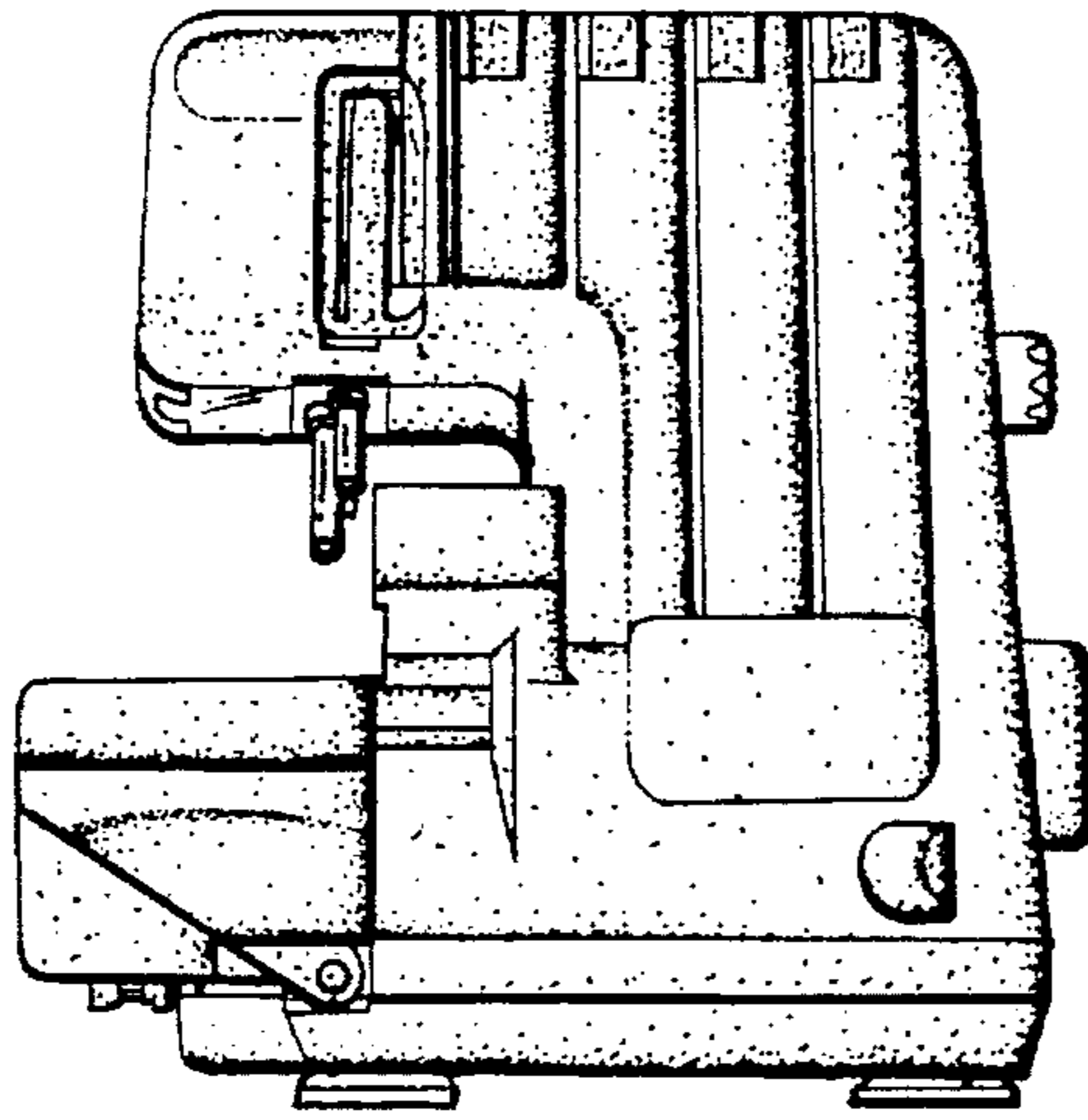


FIG. 2

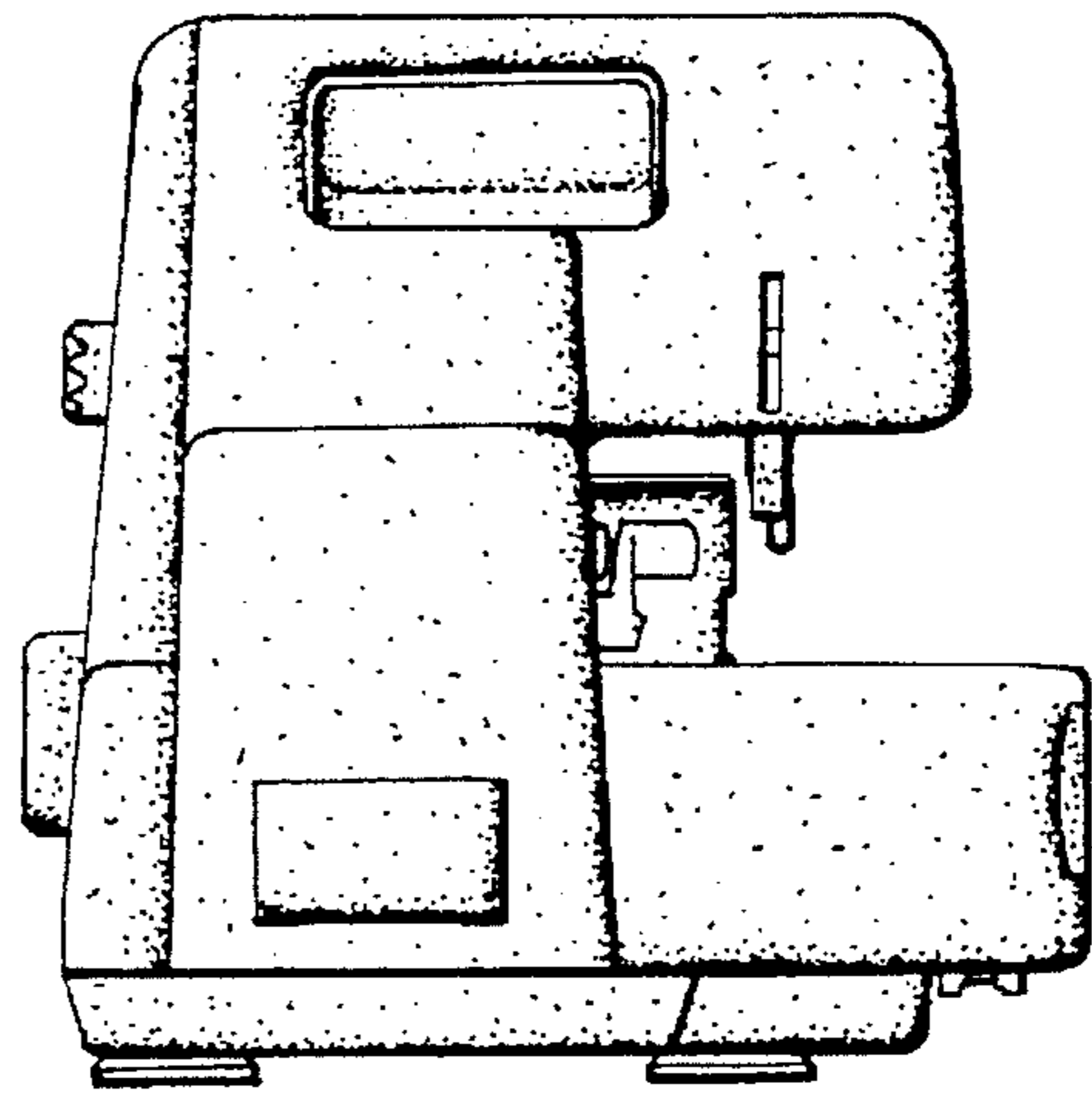


FIG. 3

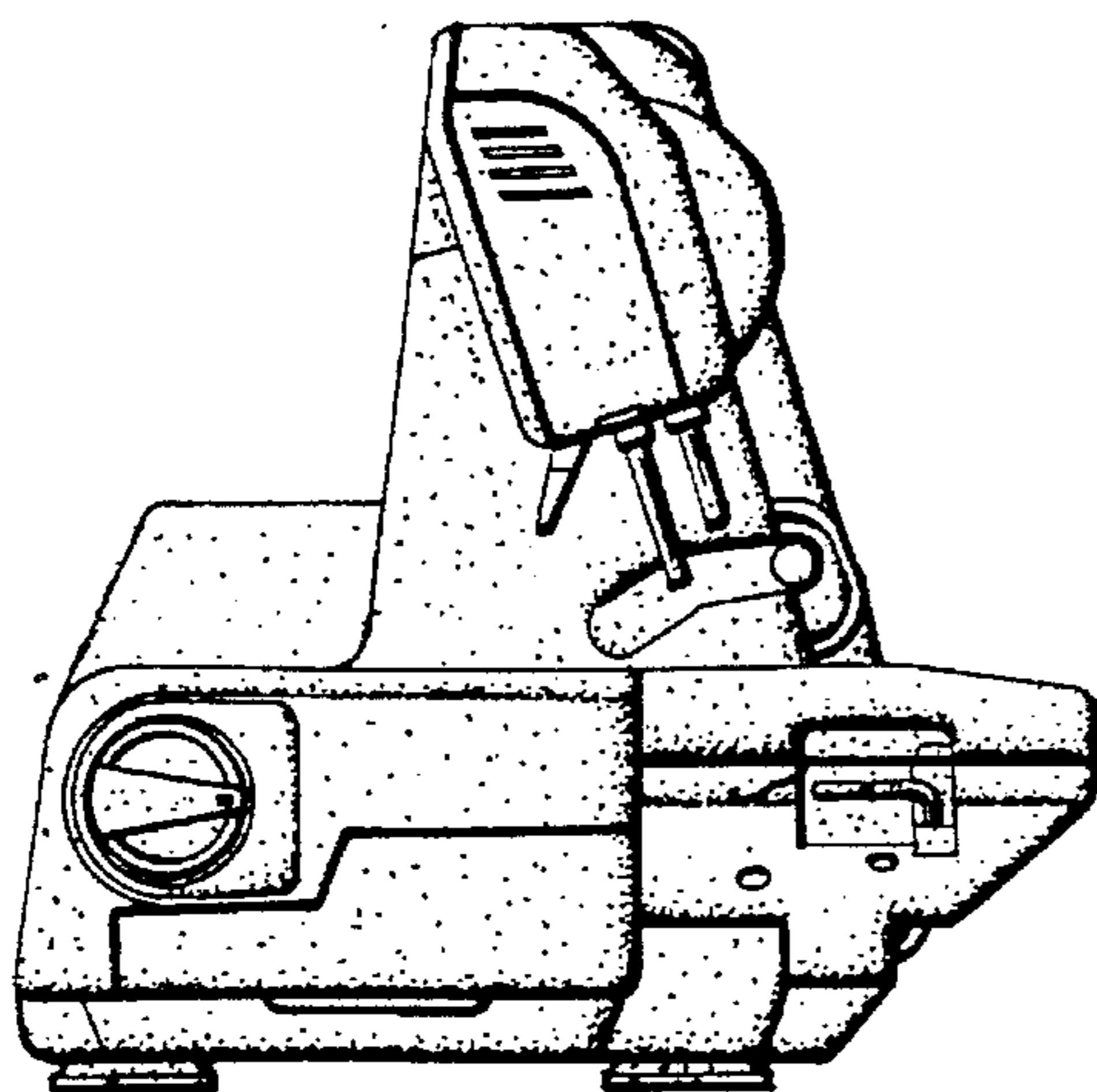


FIG. 6

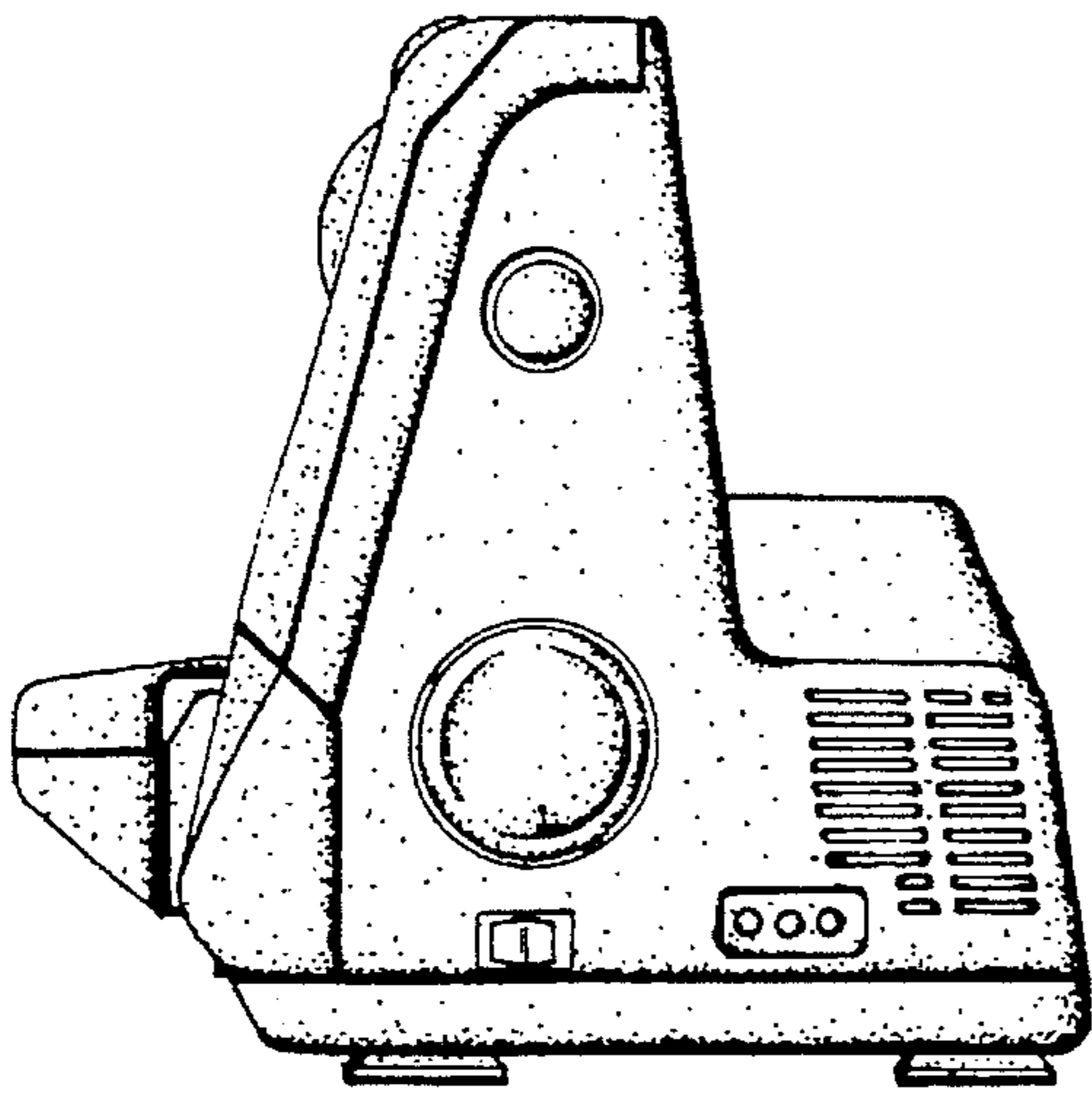


FIG. 7

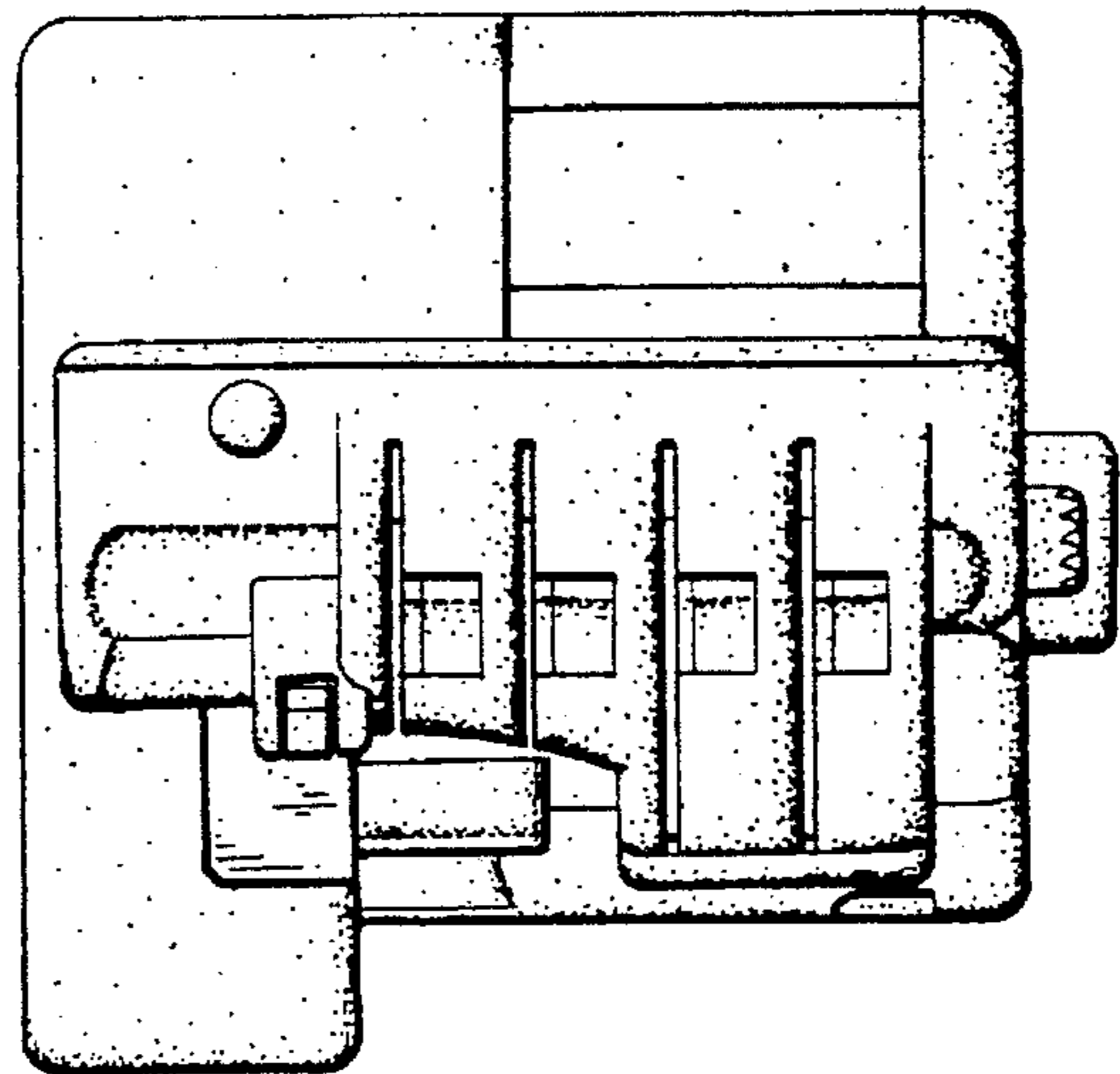


FIG. 4

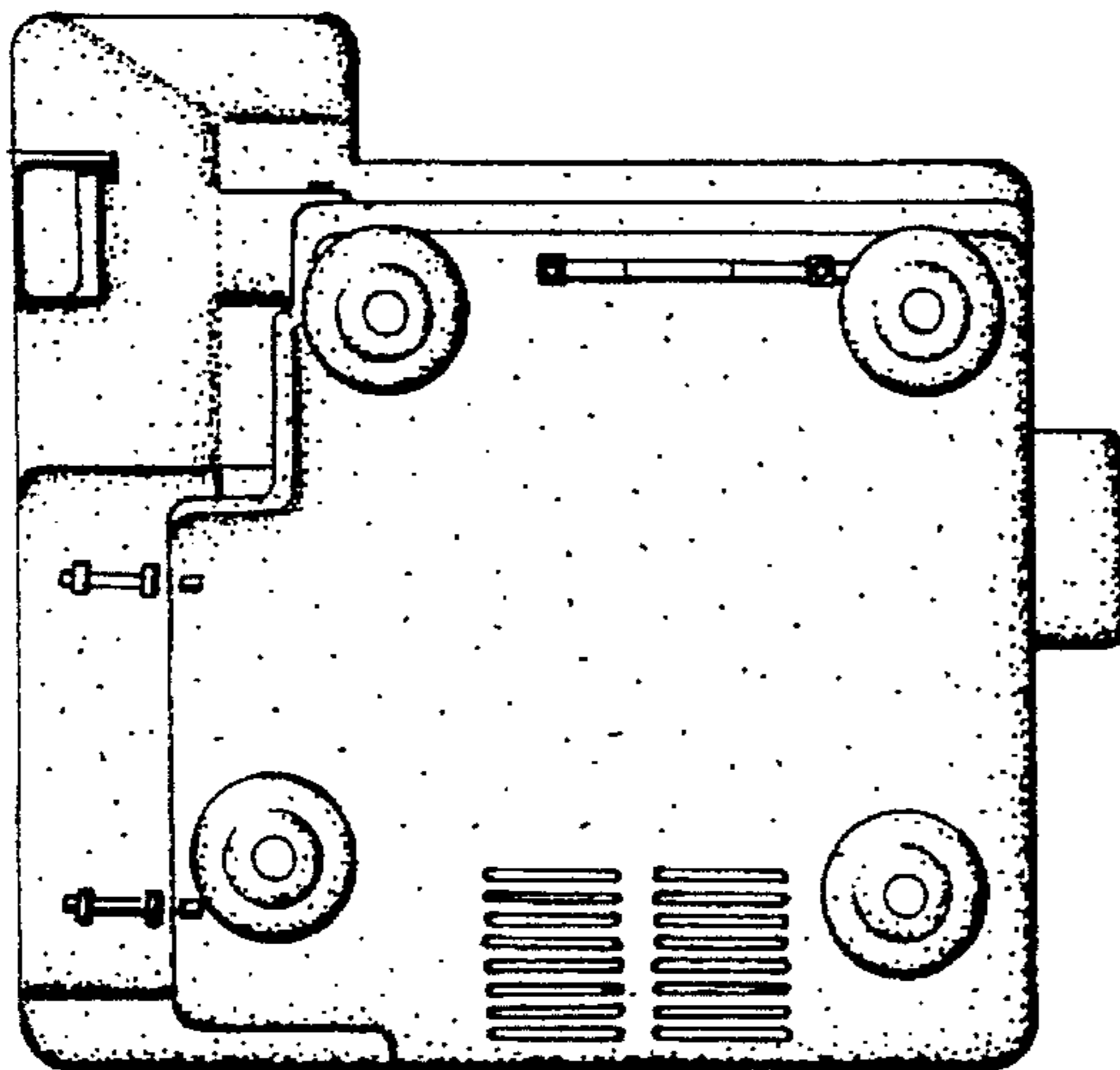


FIG. 5