



US00D377350S

United States Patent [19]

Niitsu

[11] Patent Number: **Des. 377,350**

[45] Date of Patent: ****Jan. 14, 1997**

[54] **DIGITAL VIDEO CASSETTE RECORDER**

[75] Inventor: **Takuya Niitsu**, Tokyo, Japan

[73] Assignee: **Sony Corporation**, Tokyo, Japan

[**] Term: **14 Years**

[21] Appl. No.: **41,583**

[22] Filed: **Jul. 18, 1995**

[52] U.S. Cl. **D14/135**

[58] Field of Search D14/124, 135,
D14/136, 156, 239, 299

[56] **References Cited**

U.S. PATENT DOCUMENTS

D. 327,885	7/1992	Kasaka et al.	D14/135
D. 348,457	7/1994	Cha	D14/135
D. 355,654	2/1995	Koulopoulos	D14/124 X
D. 355,909	2/1995	Shinohara et al.	D14/135

Primary Examiner—B. J. Bullock
Assistant Examiner—Richelle Shelton
Attorney, Agent, or Firm—Foley & Lardner

[57] **CLAIM**

The ornamental design for a digital video cassette recorder, as shown and described.

DESCRIPTION

FIG. 1 is a perspective view of the digital video cassette recorder showing my new design;
FIG. 2 is a perspective front view thereof in the operating condition;
FIG. 3 is a front elevational view thereof;
FIG. 4 is a top plan view thereof;
FIG. 5 is a left side elevational view thereof;
FIG. 6 is a bottom plan view thereof;
FIG. 7 is a right side elevational view thereof; and,
FIG. 8 is a rear elevational view thereof.

1 Claim, 4 Drawing Sheets

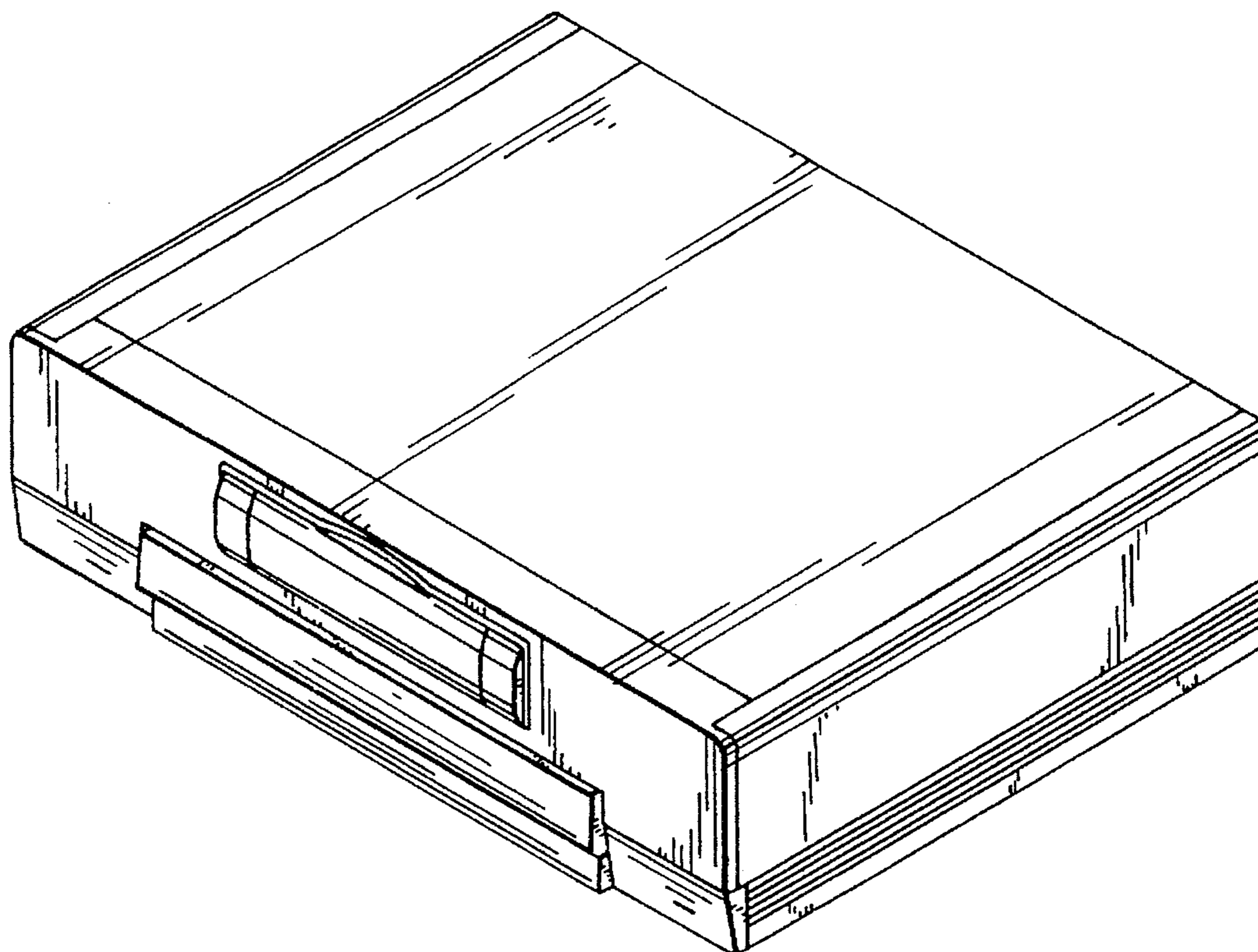


FIG. 1

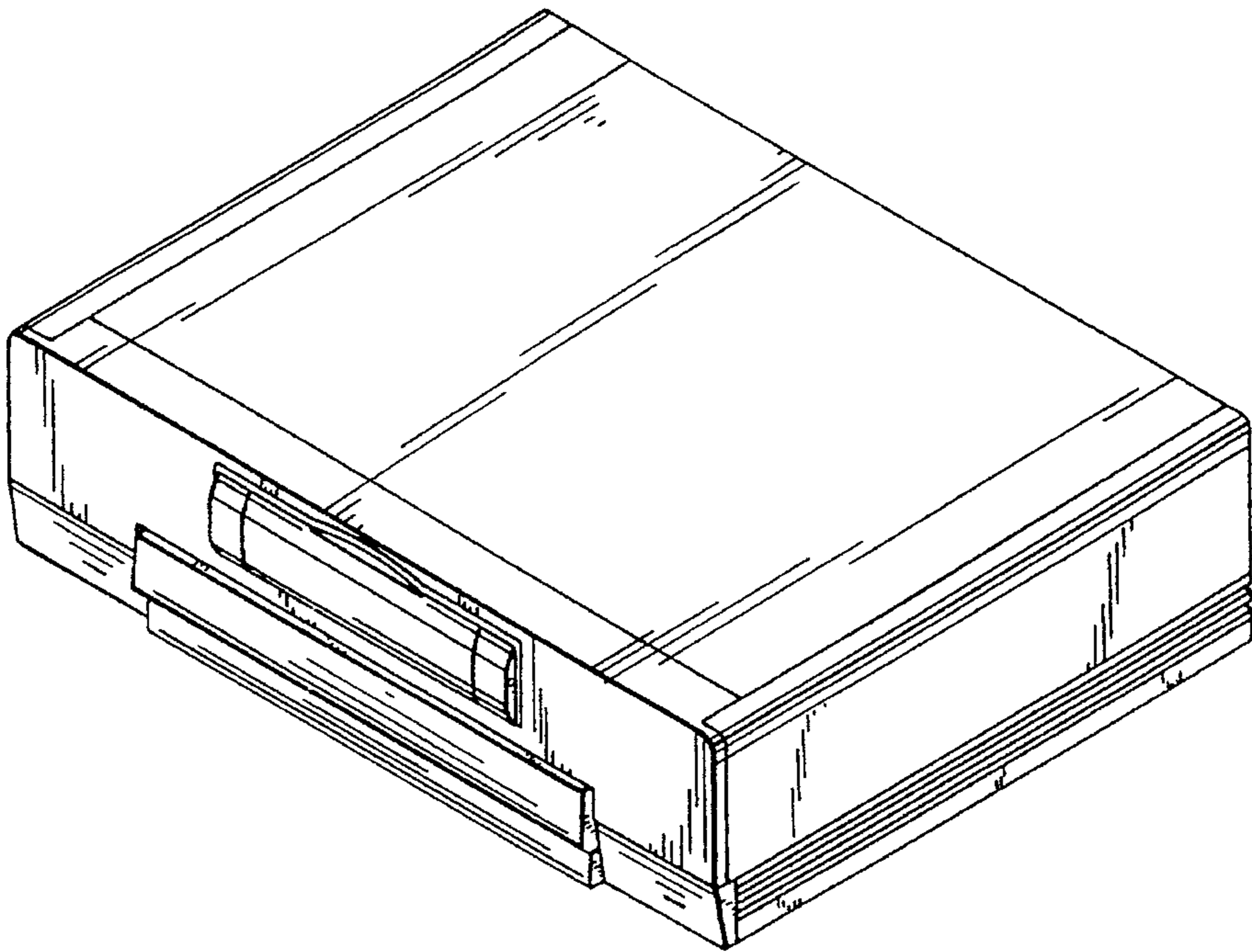


FIG. 2

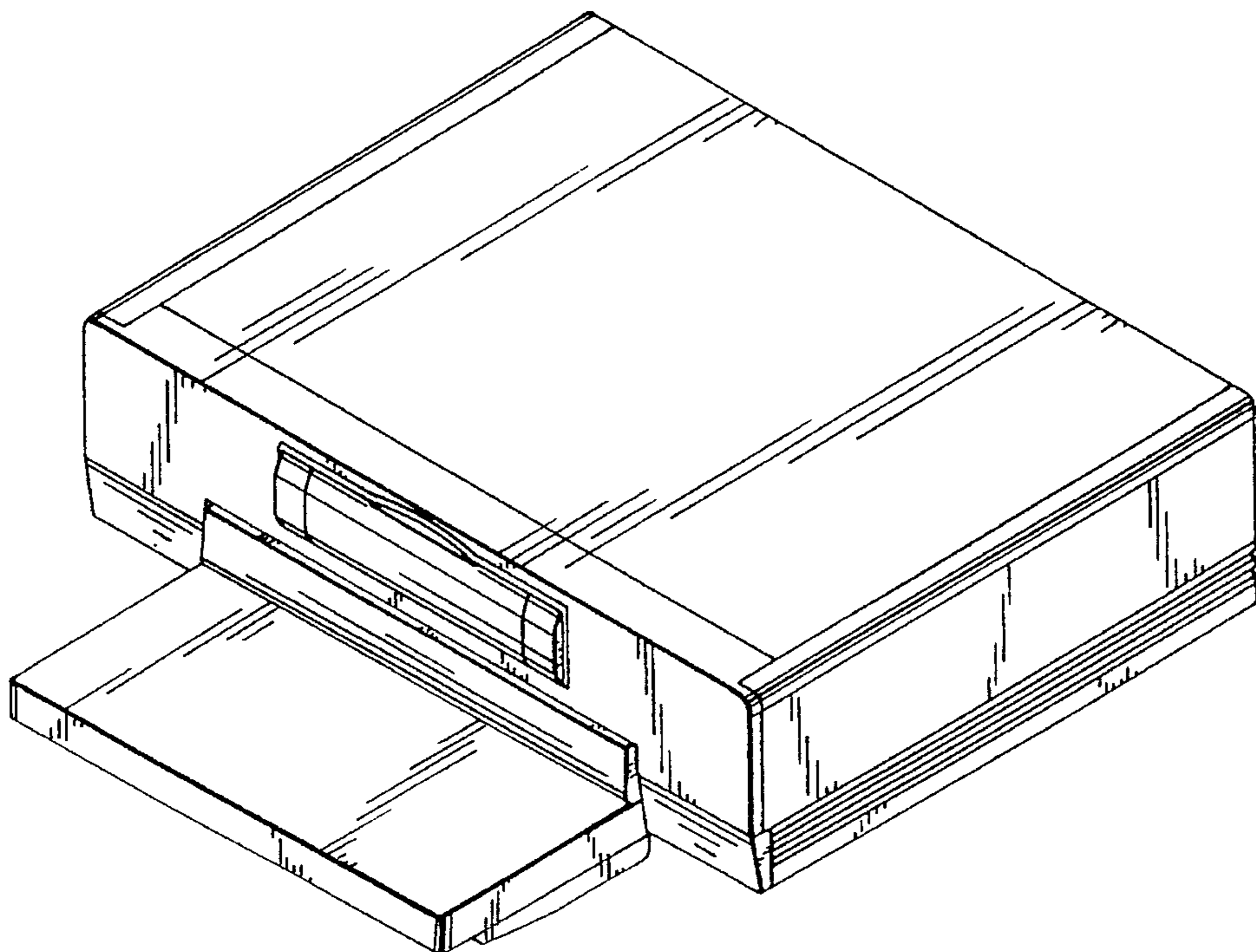


FIG. 3

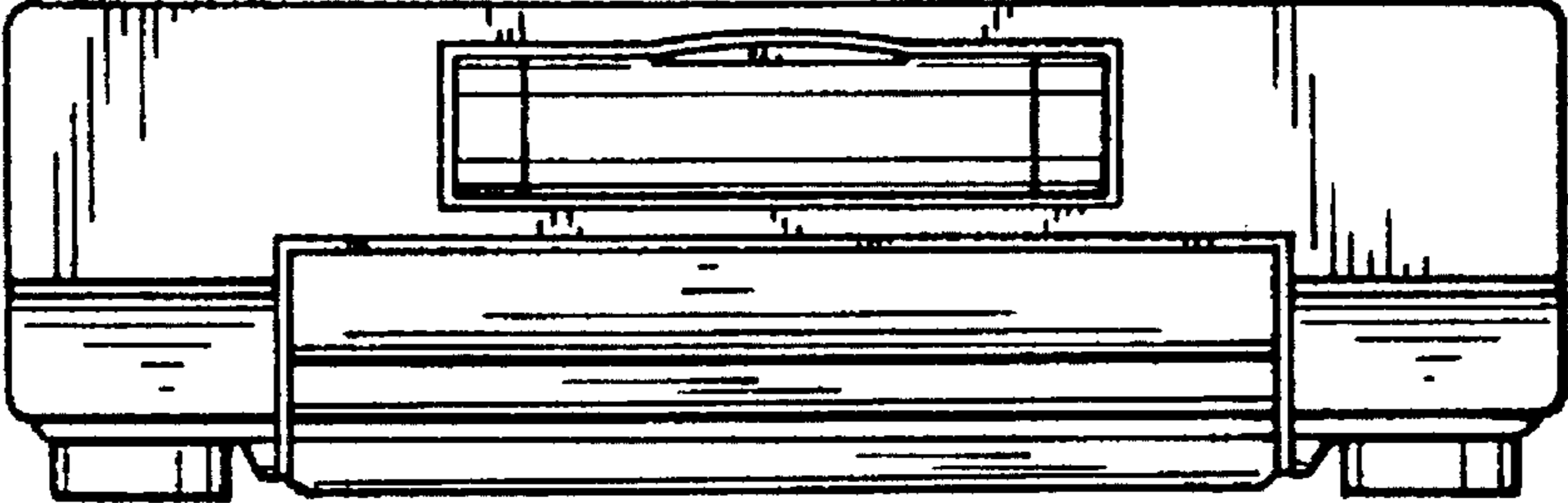


FIG. 4

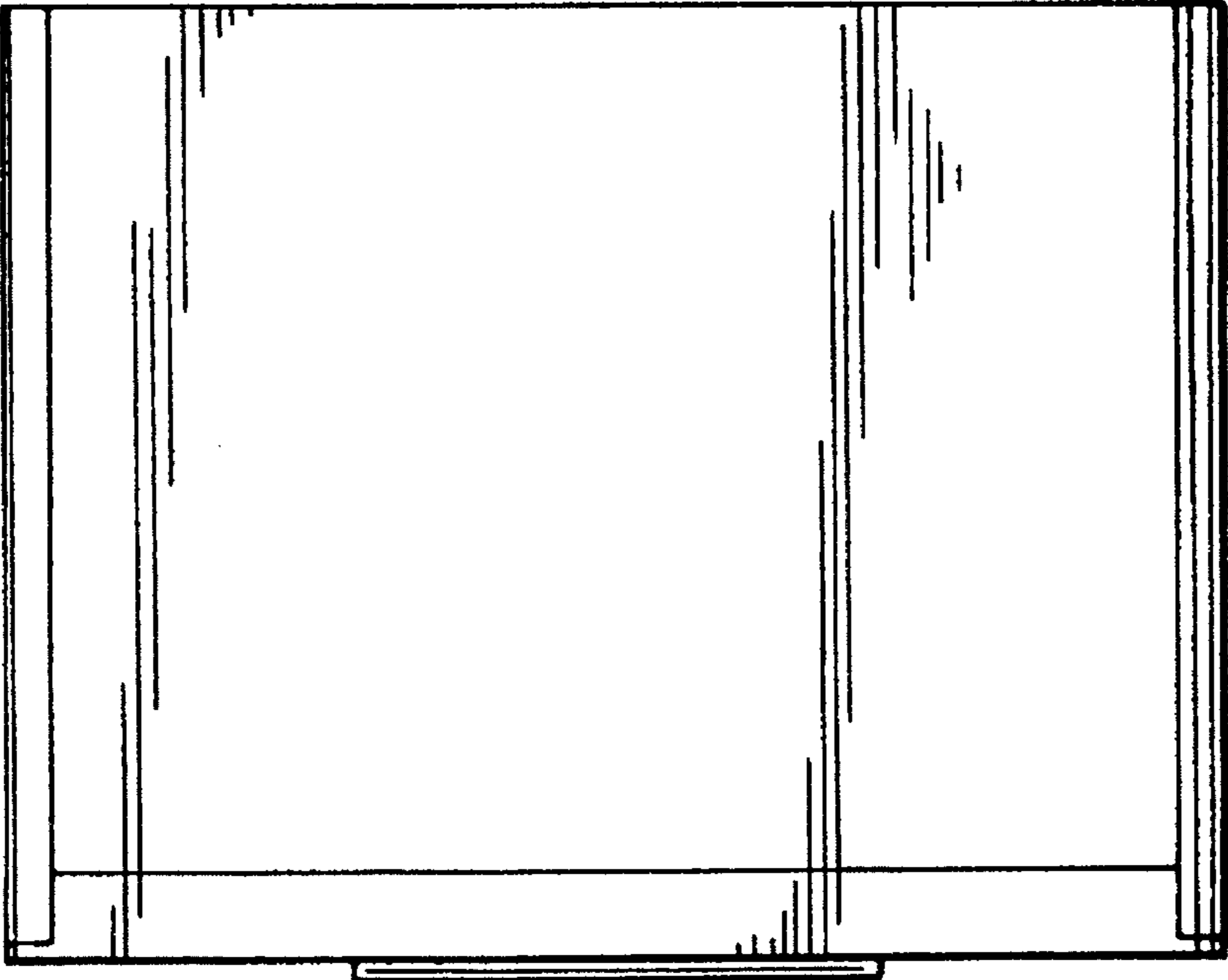


FIG. 5

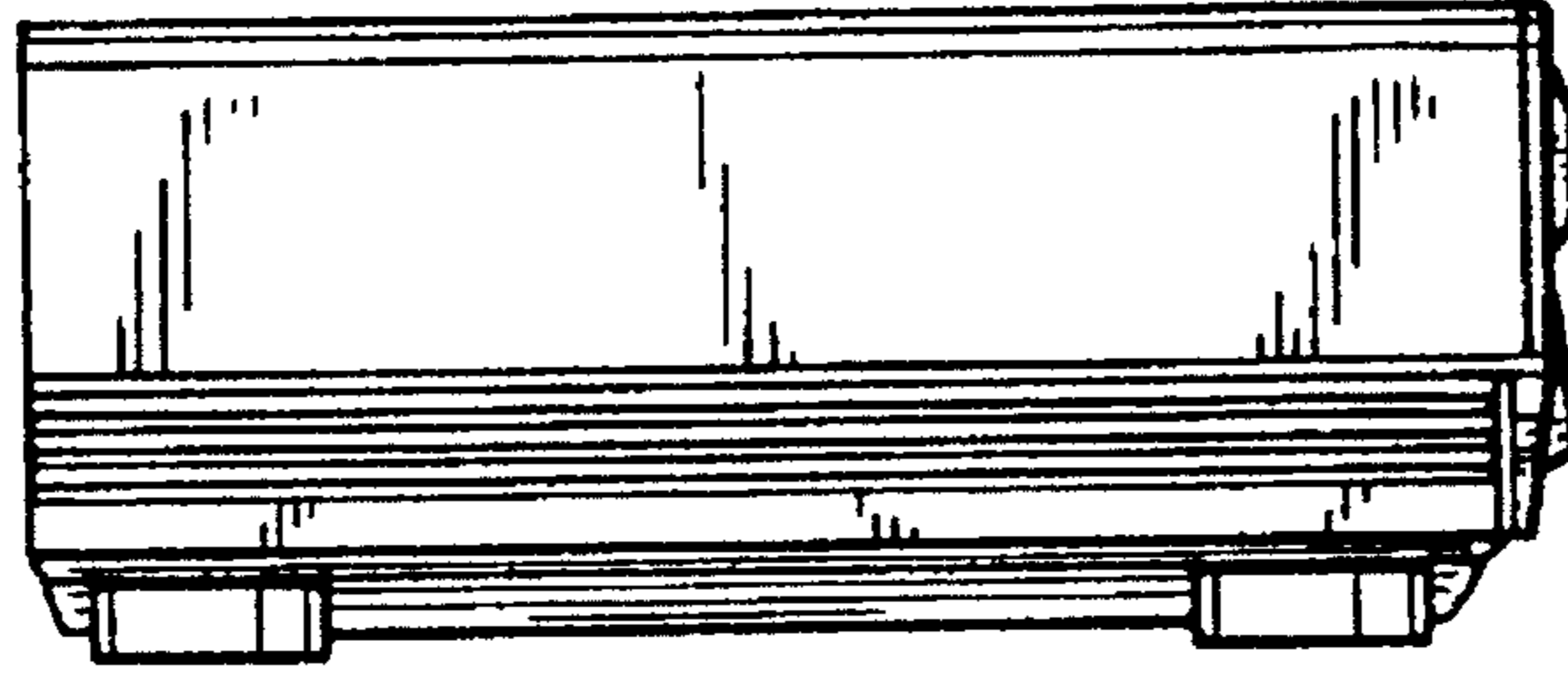


FIG. 6

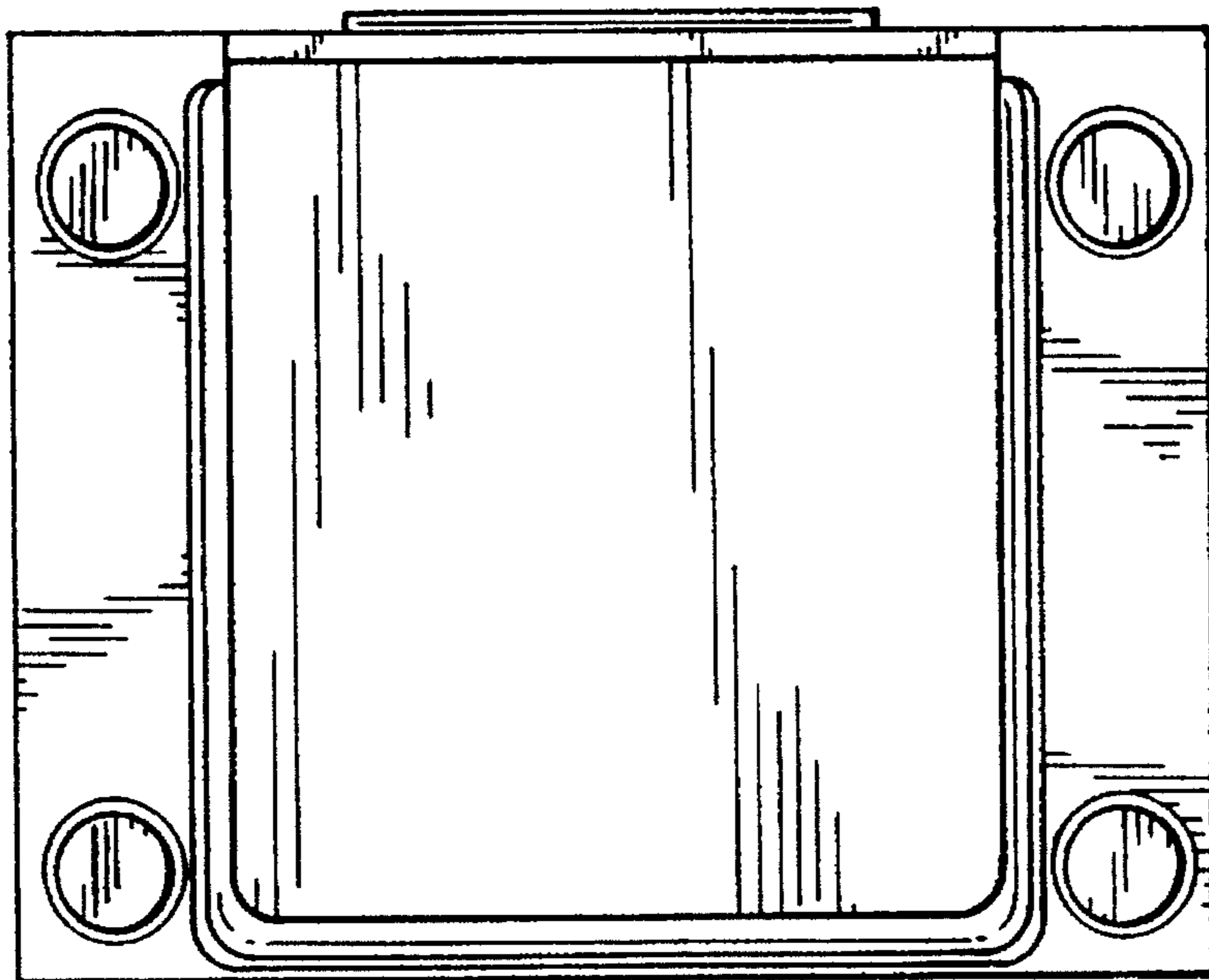


FIG. 7

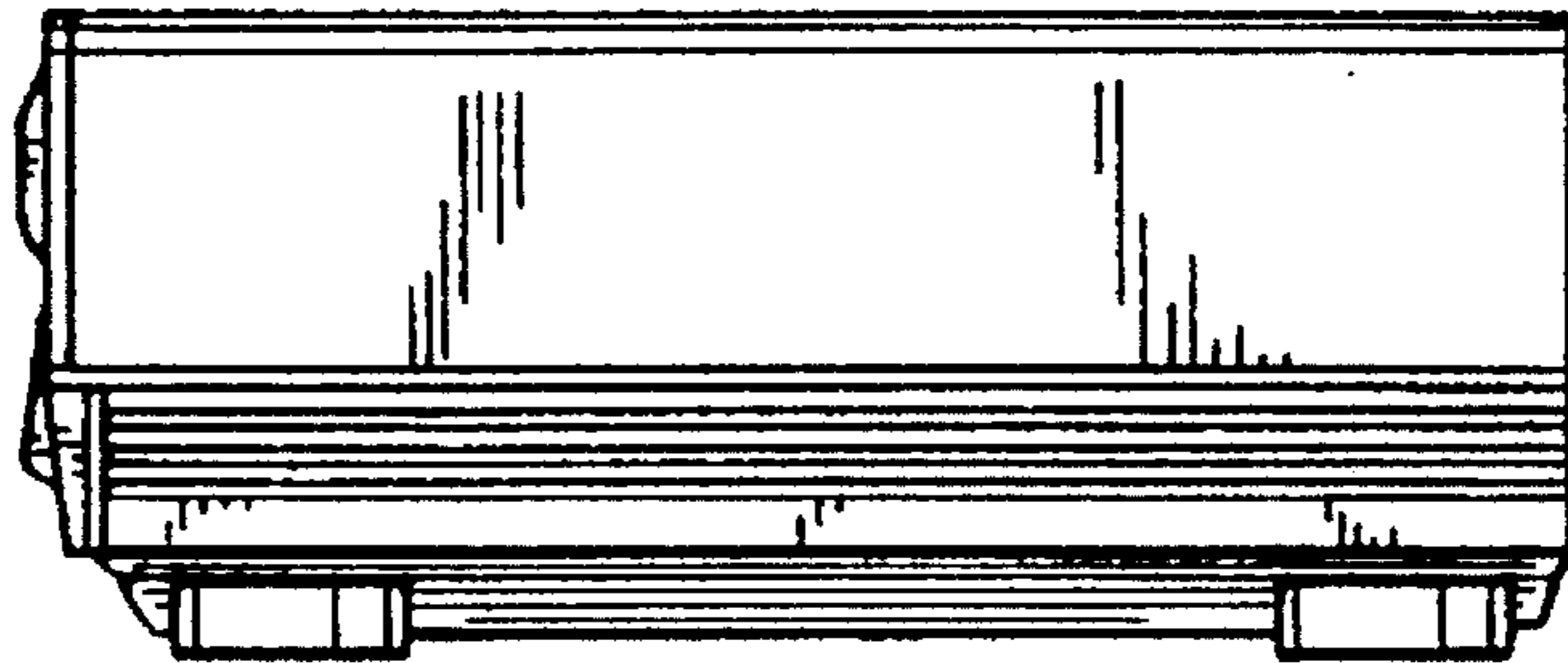


FIG. 8

