



US00D377348S

# United States Patent [19]

**Karlin**

[11] **Patent Number: Des. 377,348**

[45] **Date of Patent: \*\*Jan. 14, 1997**

[54] **OPTICAL SCANNER**

[75] Inventor: **James H. Karlin**, Fairport, N.Y.

[73] Assignee: **PSC Inc.**, Webster, N.Y.

[\*\*] Term: **14 Years**

[21] Appl. No.: **41,689**

[22] Filed: **Jul. 3, 1995**

D. 335,661	5/1993	Shepard	.....	D14/116
D. 335,662	5/1993	Shepard	.....	D14/116
D. 352,939	11/1994	Karlin	.....	D14/116
D. 357,010	4/1995	Dickerson et al.	.....	D14/114
5,191,197	3/1993	Melitsky et al.	.....	D14/116 X
5,250,790	10/1993	Melitsky et al.	.....	D14/116 X

*Primary Examiner*—M. H. Tung  
*Attorney, Agent, or Firm*—Joseph F. Murphy

### [57] CLAIM

The ornamental design for optical scanner, as shown and described.

### Related U.S. Application Data

[63] Continuation of Ser. No. 33,017, Jan. 3, 1995.

[52] **U.S. Cl.** ..... **D14/116; 14/2**

[58] **Field of Search** ..... D14/100, 114,  
D14/116, 107; D19/41-51; 235/375, 378,  
385, 454, 462, 472, 486; 354/80-2; 382/58-69;  
250/203.1, 216, 566, 568; D26/37, 45,  
50

### DESCRIPTION

FIG. 1 is a top, left side perspective view of the claimed design, on a reduced scale; the broken line drawing of a human hand is for illustrative purposes only and forms no part of the claimed design;

FIG. 2 is a top plan view thereof;

FIG. 3 is a left side plan view thereof;

FIG. 4 is a bottom plan view thereof;

FIG. 5 is a right side view thereof;

FIG. 6 is a front view thereof; and,

FIG. 7 is a rear view thereof.

### [56] References Cited

#### U.S. PATENT DOCUMENTS

D. 293,795	1/1988	Yamamoto	.....	D14/116
D. 319,436	8/1991	Matsushita	.....	D14/116

**1 Claim, 4 Drawing Sheets**

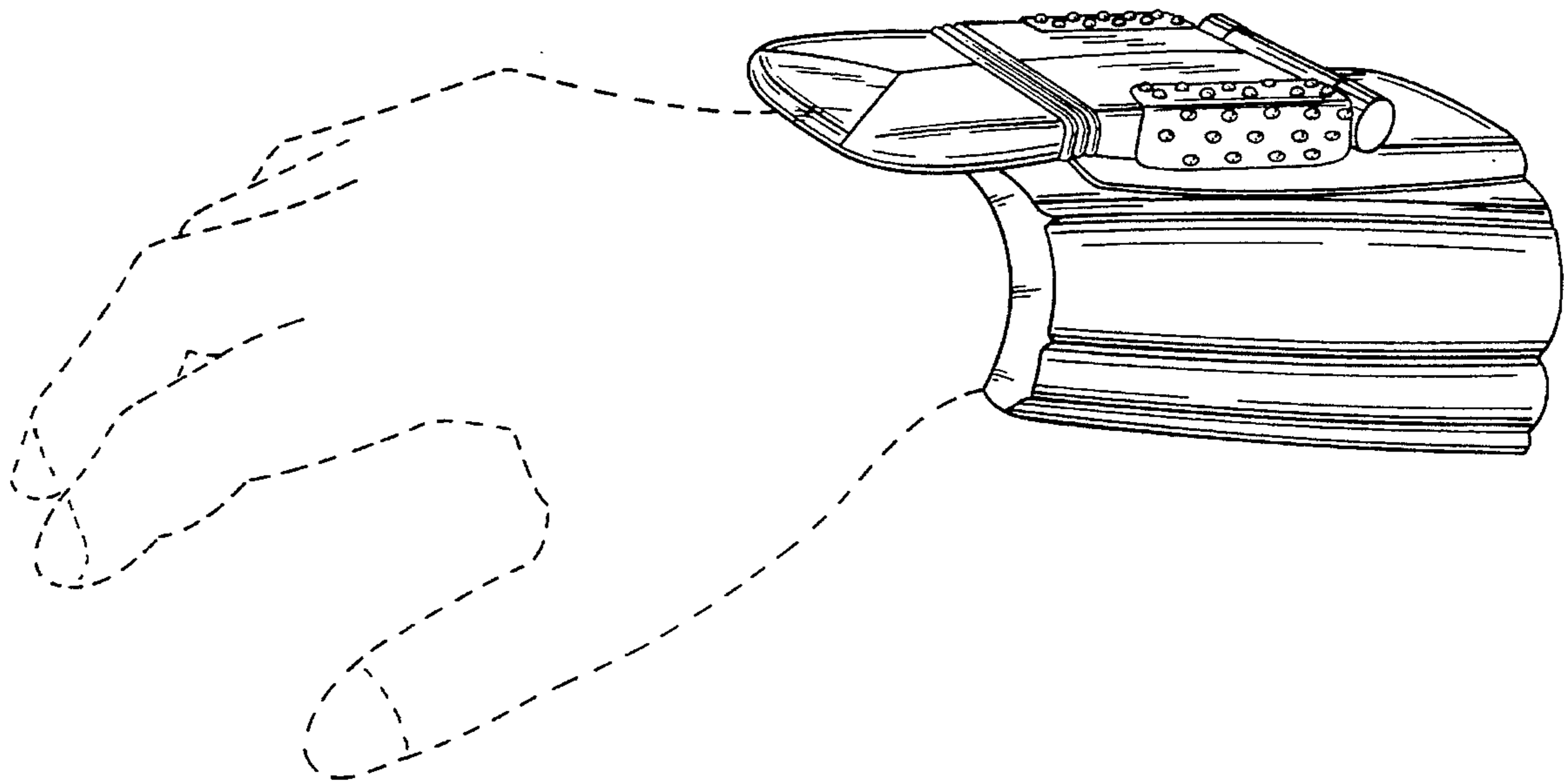


FIG. 1

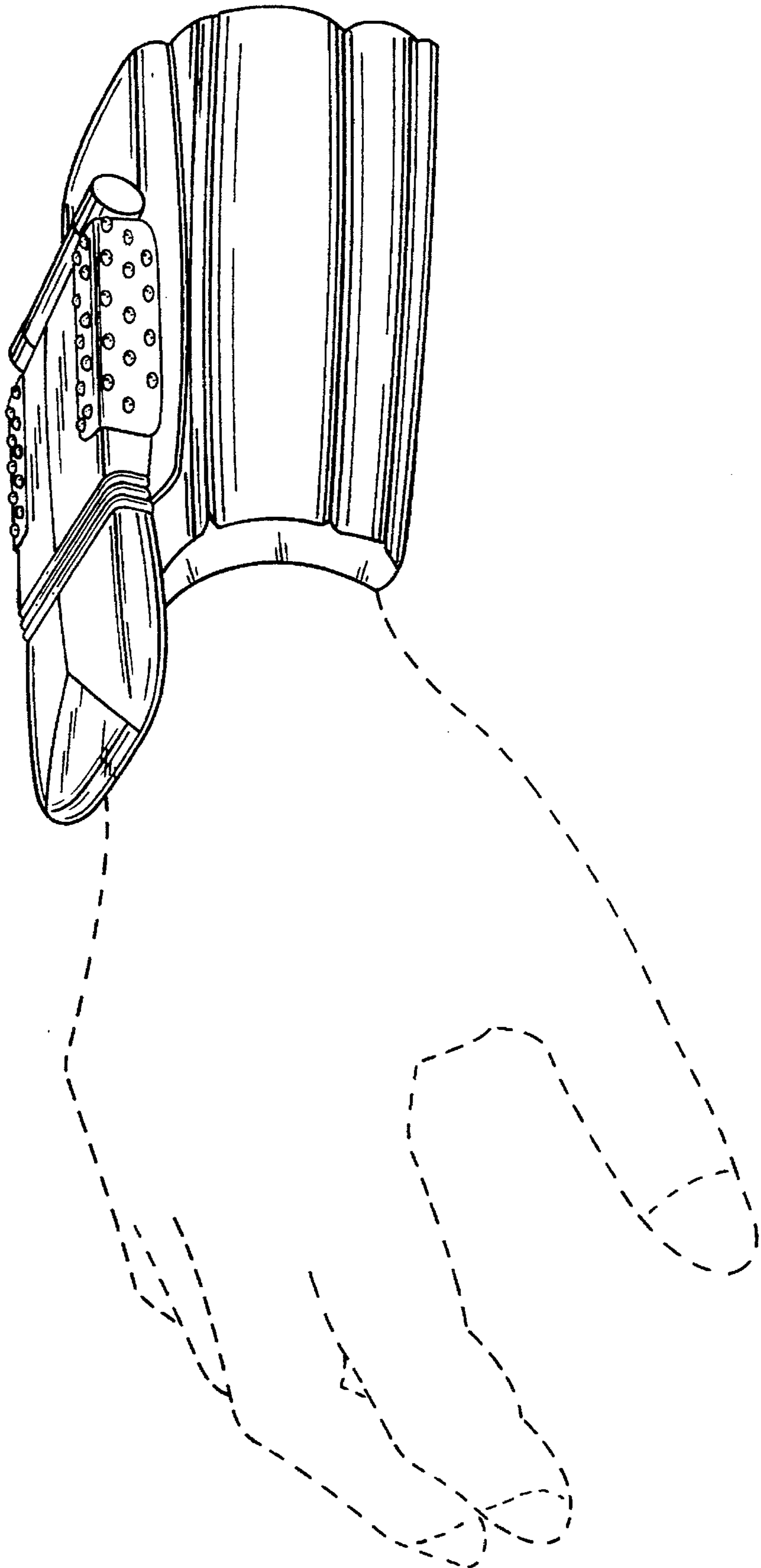


FIG. 2

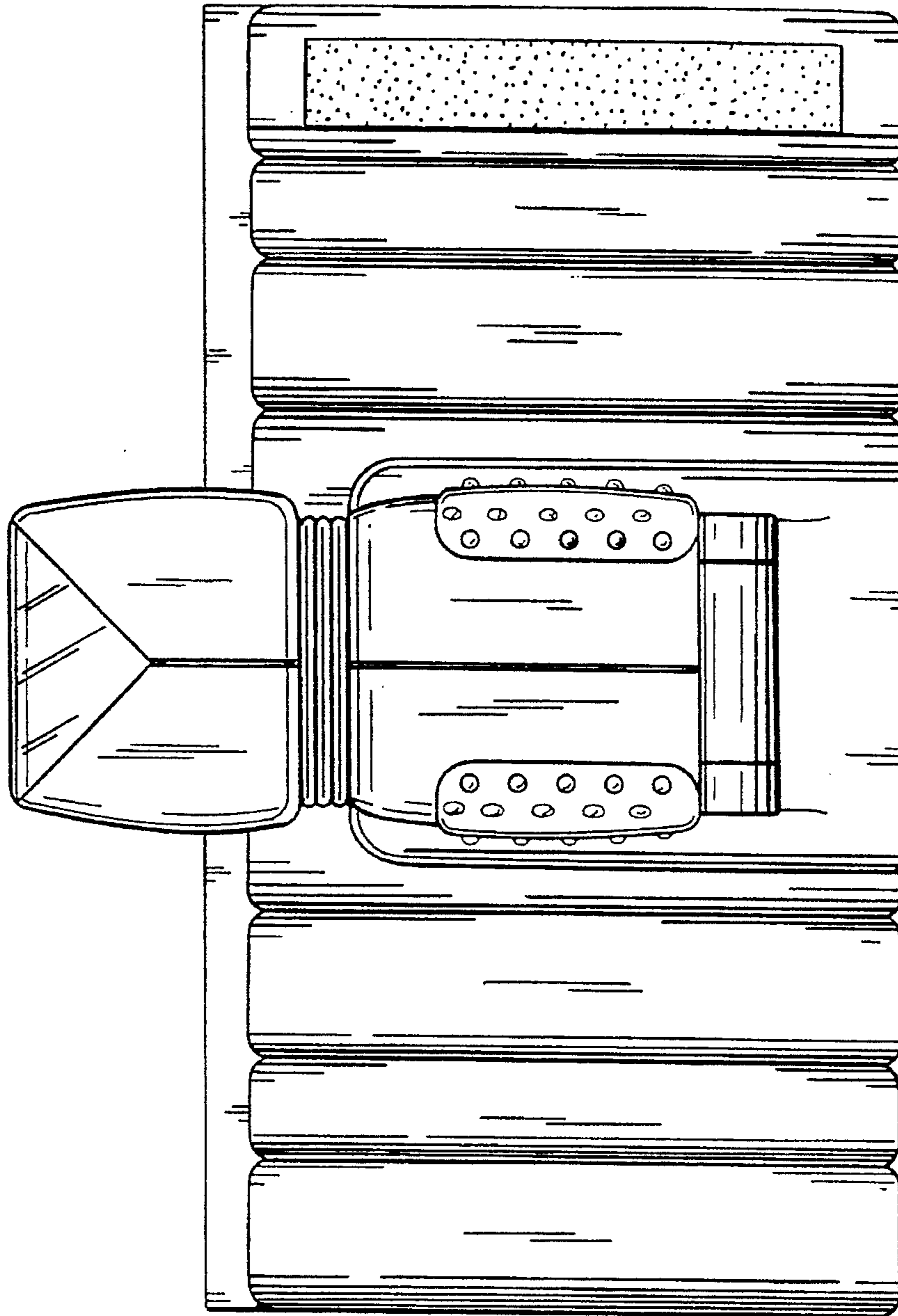


FIG. 3

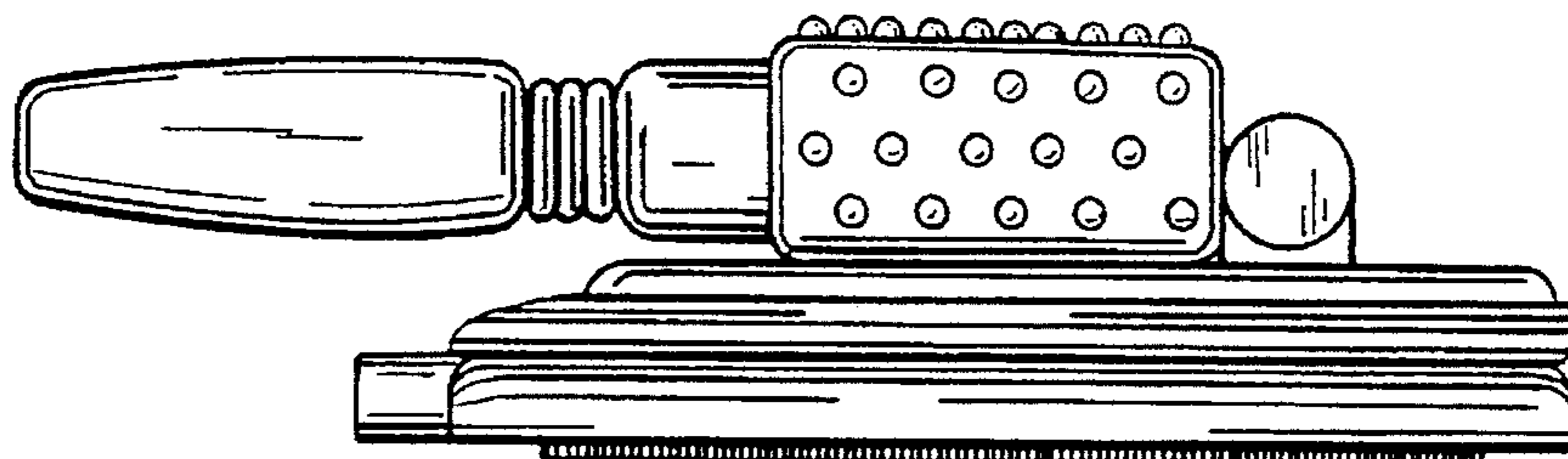


FIG. 4

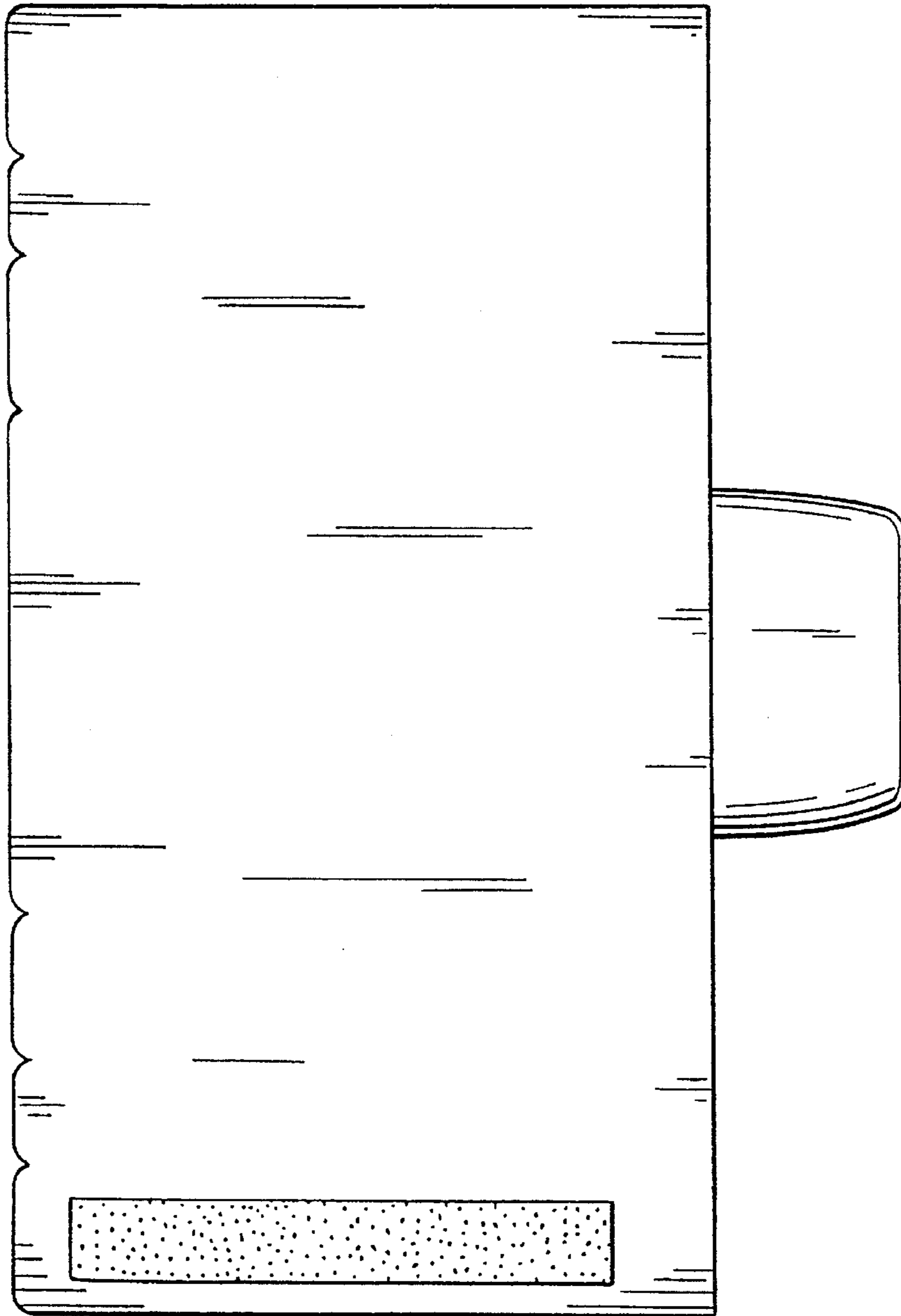
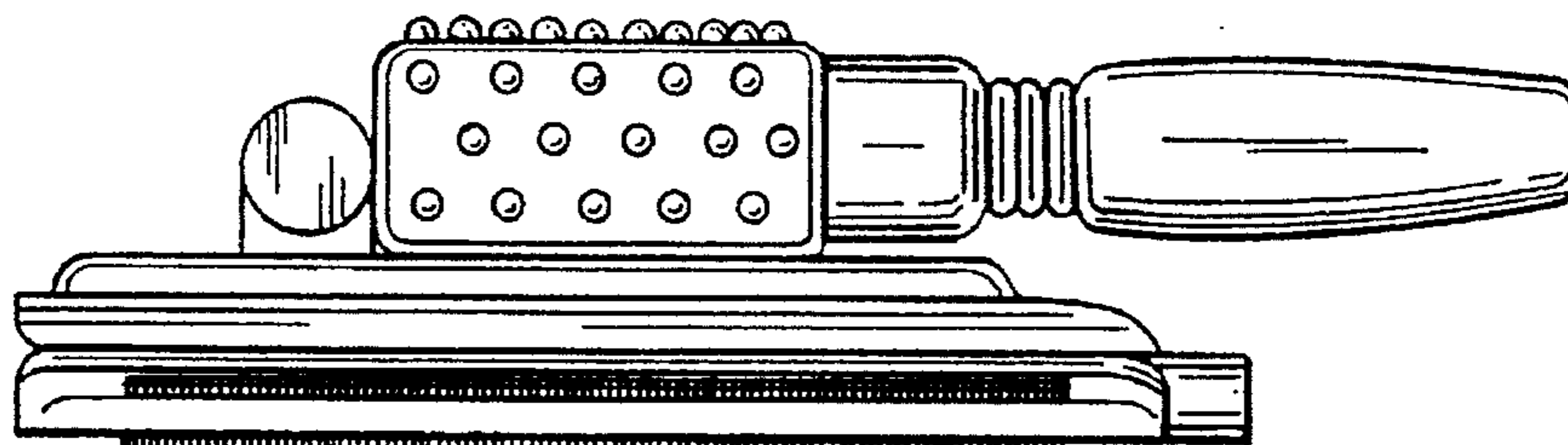
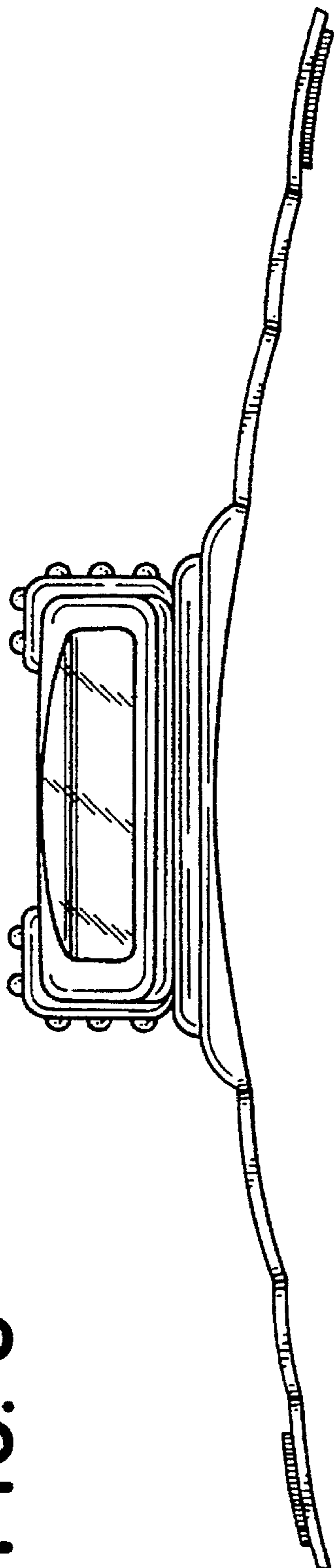


FIG. 5



**FIG. 6**



**FIG. 7**

