



US00D377345S

United States Patent [19]
Karlin

[11] **Patent Number: Des. 377,345**

[45] **Date of Patent: **Jan. 14, 1997**

[54] **OPTICAL SCANNER**

[75] Inventor: **James H. Karlin**, Fairport, N.Y.

[73] Assignee: **PSC Inc.**, Webster, N.Y.

[**] Term: **14 Years**

[21] Appl. No.: **41,023**

[22] Filed: **Jul. 3, 1995**

D. 335,661	5/1993	Shepard	D14/116
D. 335,662	5/1993	Shepard	D14/116
D. 352,939	11/1994	Karlin	D14/116
D. 357,010	4/1995	Dickerson et al.	D14/114
5,191,197	3/1993	Metlitsky et al.	D14/116 X
5,250,790	10/1993	Melitsky et al.	D14/116 X

Primary Examiner—M. H. Tung
Attorney, Agent, or Firm—Joseph F. Murphy

[57] **CLAIM**

The ornamental design for optical scanner, as shown & described.

Related U.S. Application Data

[63] Continuation of Ser. No. 32,970, Jan. 3, 1995.

[52] **U.S. Cl.** **D14/116**; 14/2

[58] **Field of Search** D14/100, 107,
D14/114, 116; D19/41-51; 235/375, 378,
385, 454, 462, 472, 486; 354/80-2; 382/58-69;
250/203.1, 216, 566, 568; D26/37, 45,
50

DESCRIPTION

FIG. 1 is a top, right side perspective view of the claimed design, on a reduced scale; the broken line drawing of a human hand is for illustrative purposes only and forms no part of the claimed design;

FIG. 2 is a top plan view thereof;

FIG. 3 is a right side view thereof;

FIG. 4 is a bottom plan view thereof;

FIG. 5 is a left side view thereof;

FIG. 6 is a front view thereof; and,

FIG. 7 is a rear view thereof.

[56] **References Cited**

U.S. PATENT DOCUMENTS

D. 293,795	1/1988	Yamamoto	D14/116
D. 319,436	8/1991	Matsushita	D14/116

1 Claim, 4 Drawing Sheets

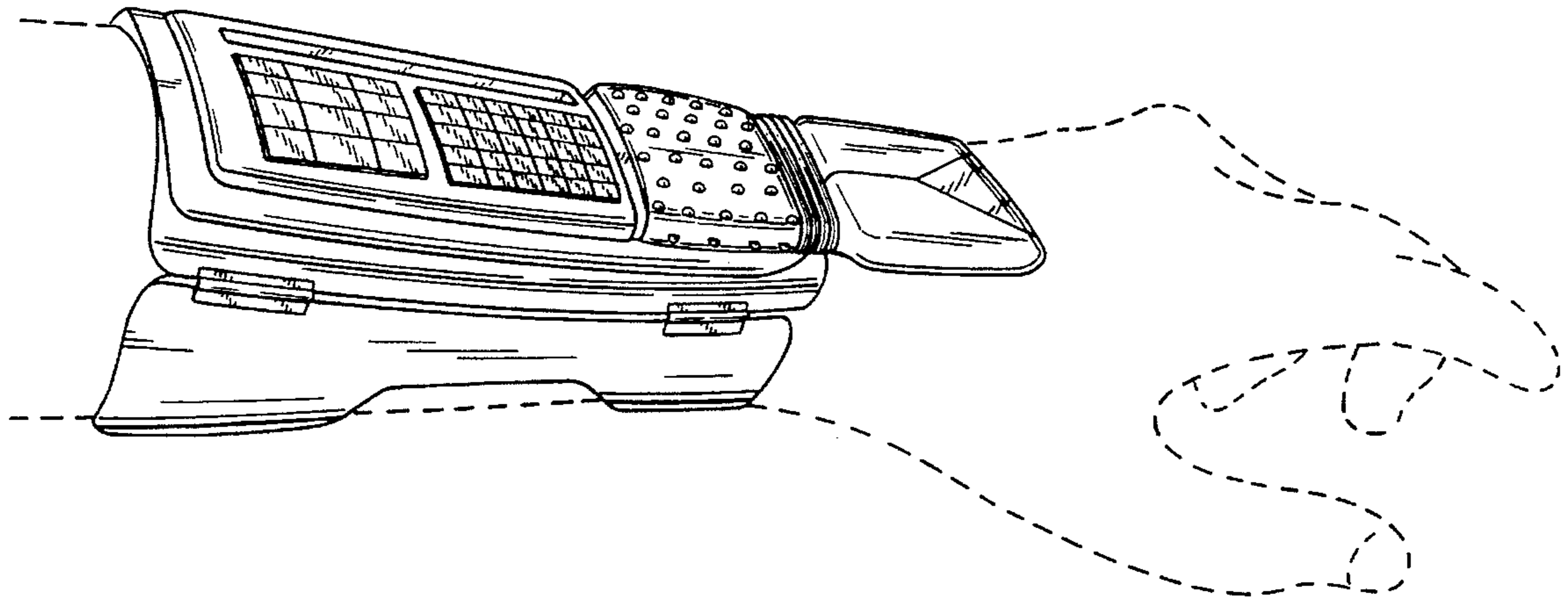


FIG. 1

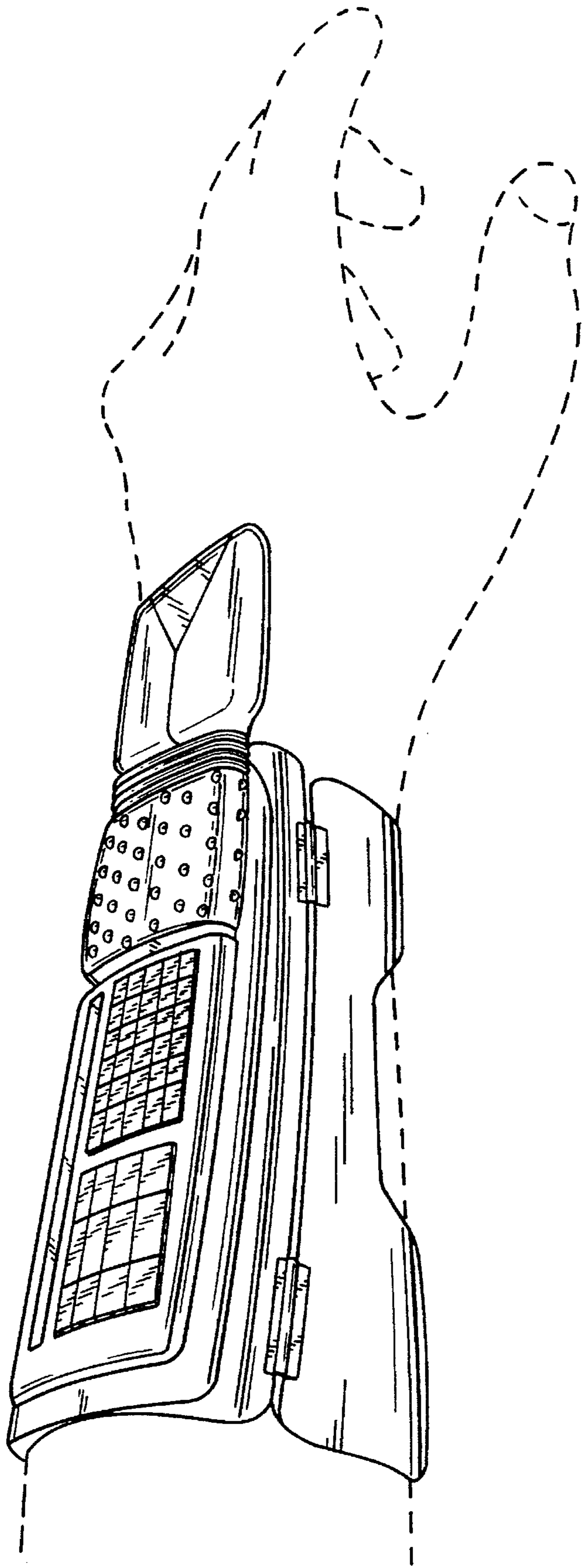


FIG. 2

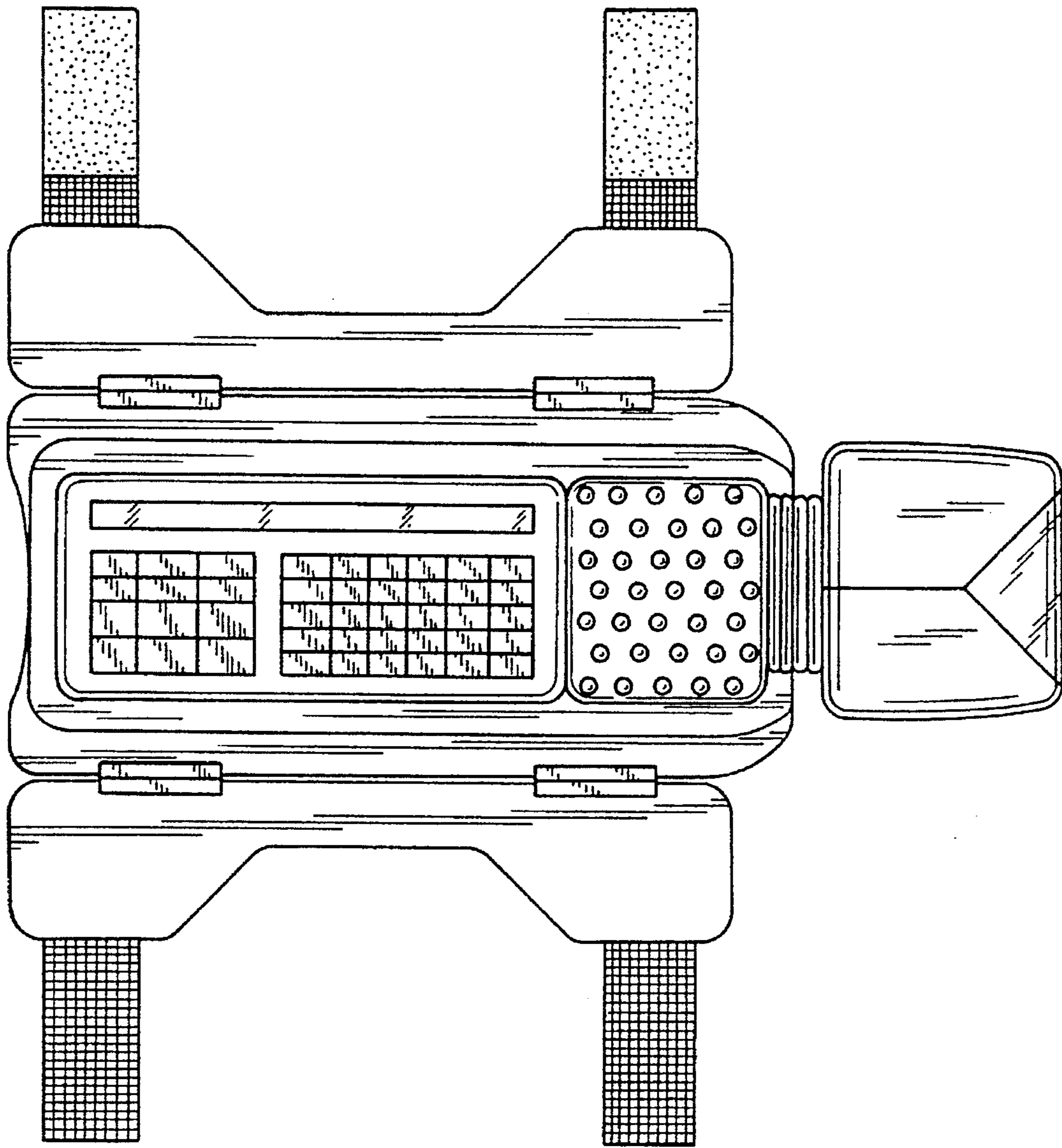


FIG. 3

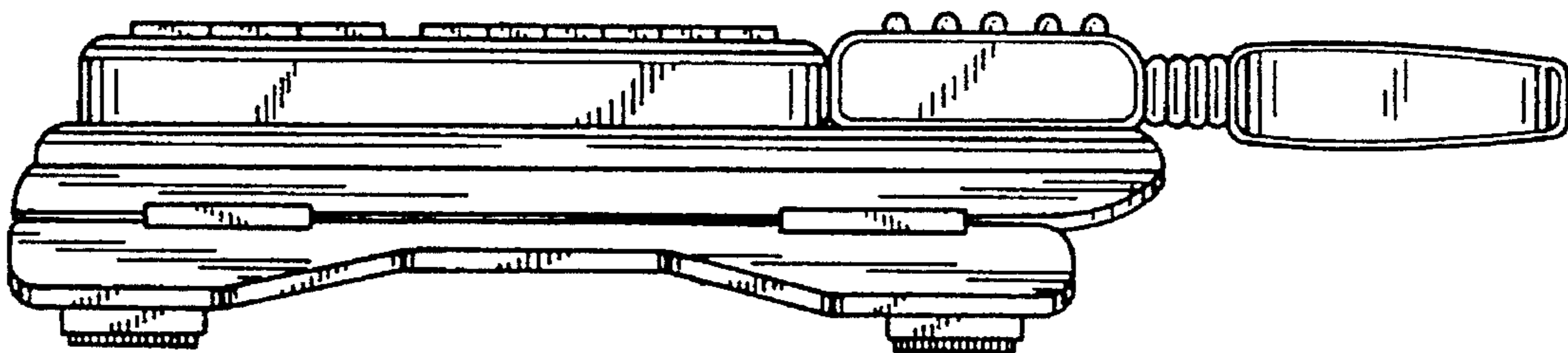


FIG. 4

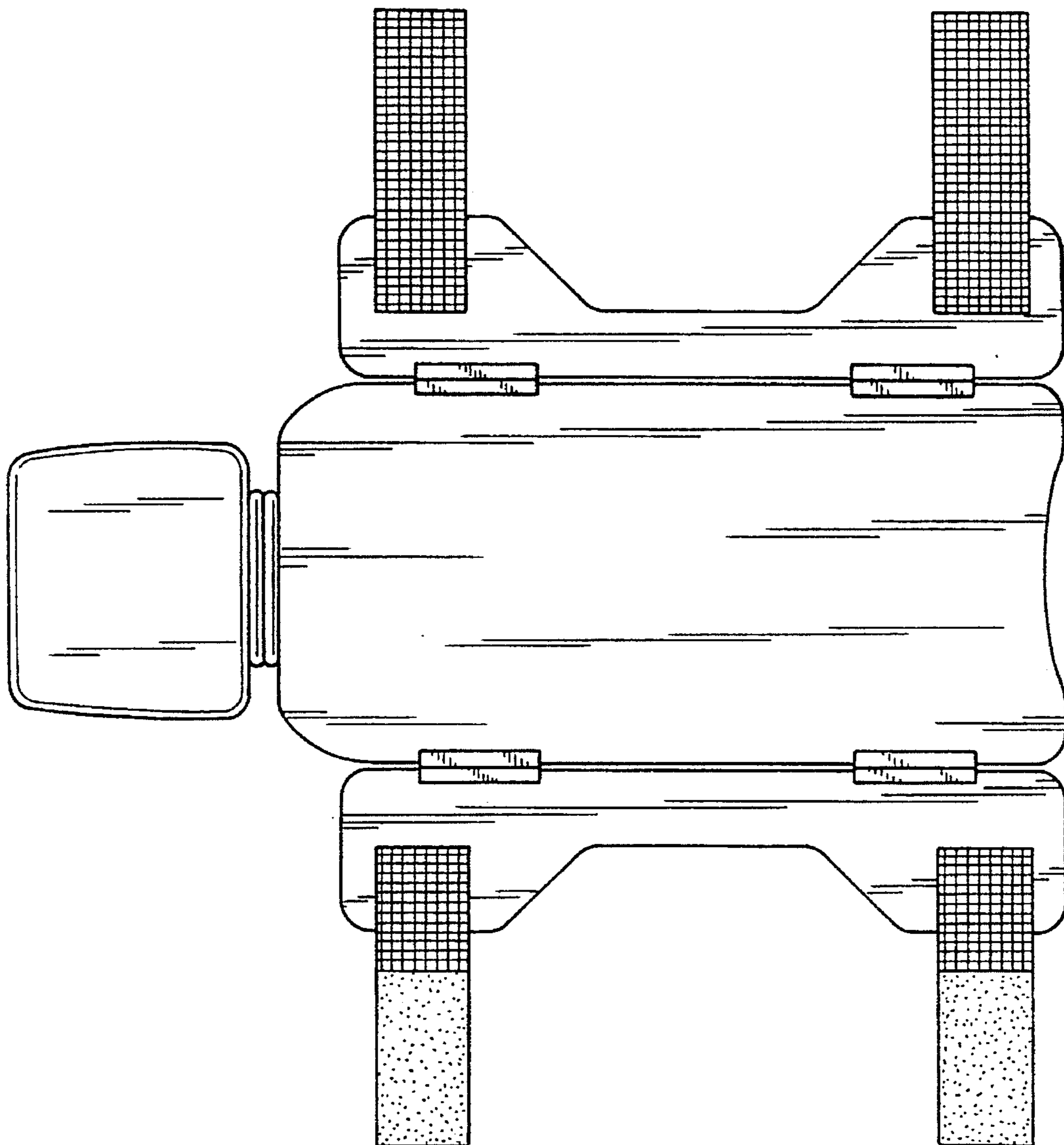


FIG. 5

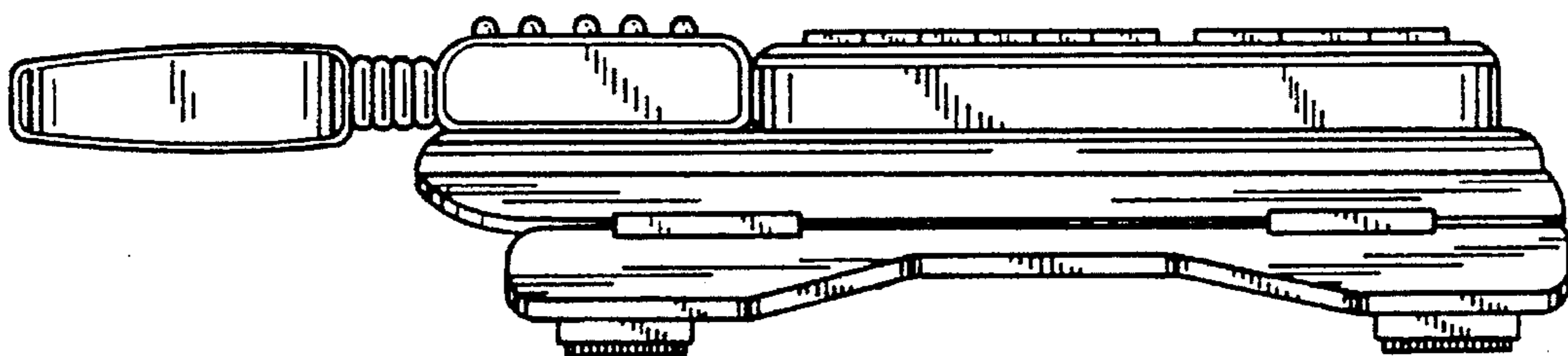


FIG. 6

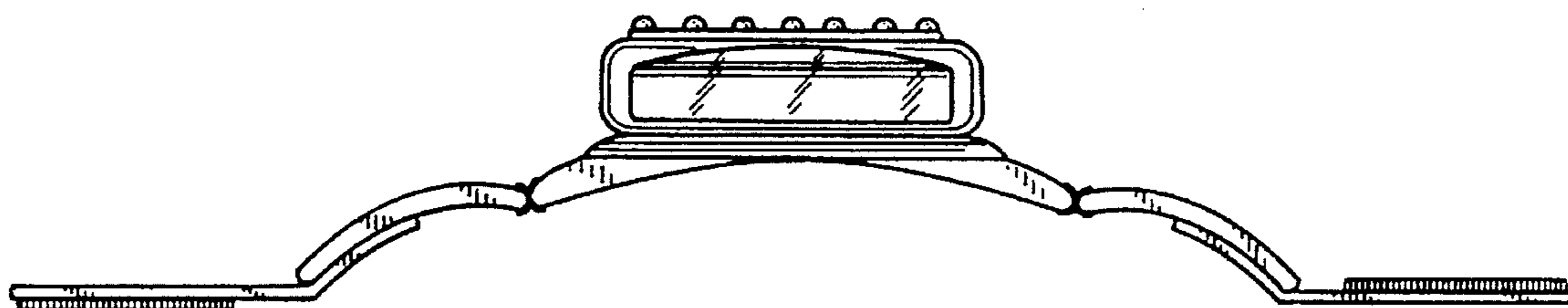


FIG. 7

