



US00D377342S

United States Patent [19]

[11] Patent Number: **Des. 377,342**

Lin

[45] Date of Patent: ****Jan. 14, 1997**

[54] **DUAL APERTURE OPTICAL BAR CODE SCANNER**

[75] Inventor: **Hornng-Jaan Lin**, Lawrenceville, Ga.

[73] Assignee: **AT&T Global Information Solutions Company**, Dayton, Ohio

[**] Term: **14 Years**

[21] Appl. No.: **47,264**

[22] Filed: **Nov. 30, 1995**

[52] U.S. Cl. **D14/107; D14/116**

[58] Field of Search D14/100, 105, D14/107, 116; D18/36, 37, 39; 235/454, 462, 470, 380, 382, 467, 382.5, 476, 482, 383, 483, 441; 358/408

[56] **References Cited**

U.S. PATENT DOCUMENTS

D. 351,144	10/1994	Fishbine et al.	D14/107
D. 362,427	9/1995	Mizusugi et al.	D14/105
4,652,732	3/1987	Nickl	235/462
4,861,973	8/1989	Hellekson et al.	235/467

5,019,694	5/1991	Collins, Jr.	235/383
5,155,345	10/1992	Ito	235/462
5,206,491	4/1993	Katoh et al.	235/467
5,229,588	7/1993	Detwiler et al.	235/467
5,293,033	3/1994	Yamashita	235/462
5,347,593	9/1994	Klinefelter	D14/107 X
5,459,308	10/1995	Detwiler et al.	235/467

Primary Examiner—Freda Nunn
Attorney, Agent, or Firm—Paul W. Martin

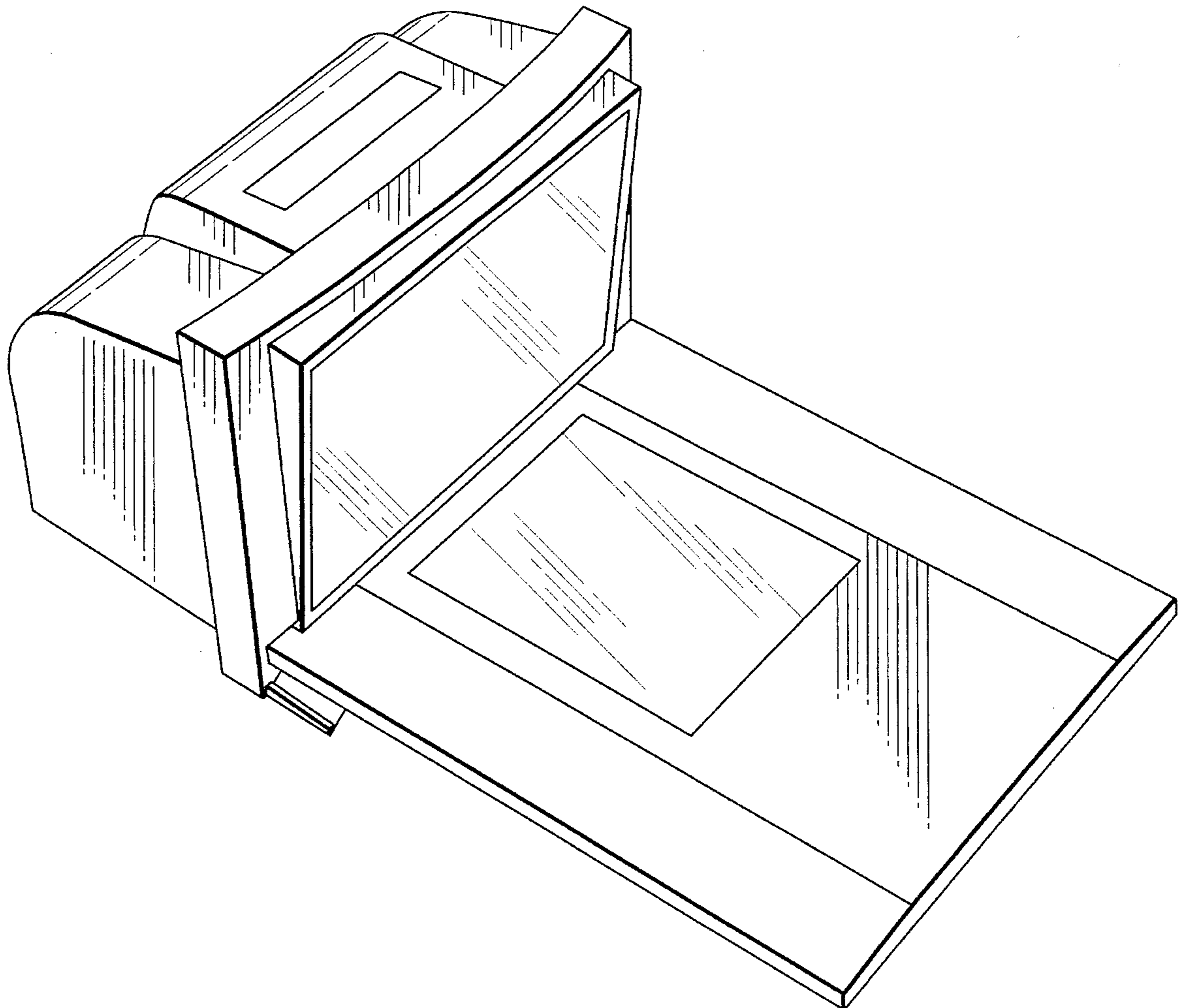
[57] **CLAIM**

The ornamental design for a dual aperture optical bar code scanner, as shown and described.

DESCRIPTION

FIG. 1 is a perspective view of the dual aperture optical bar code scanner showing my new design; FIG. 2 is a front view; FIG. 3 is a back view; FIG. 4 is a right side view; FIG. 5 is a left side view; and, FIG. 6 is a top view.

1 Claim, 6 Drawing Sheets



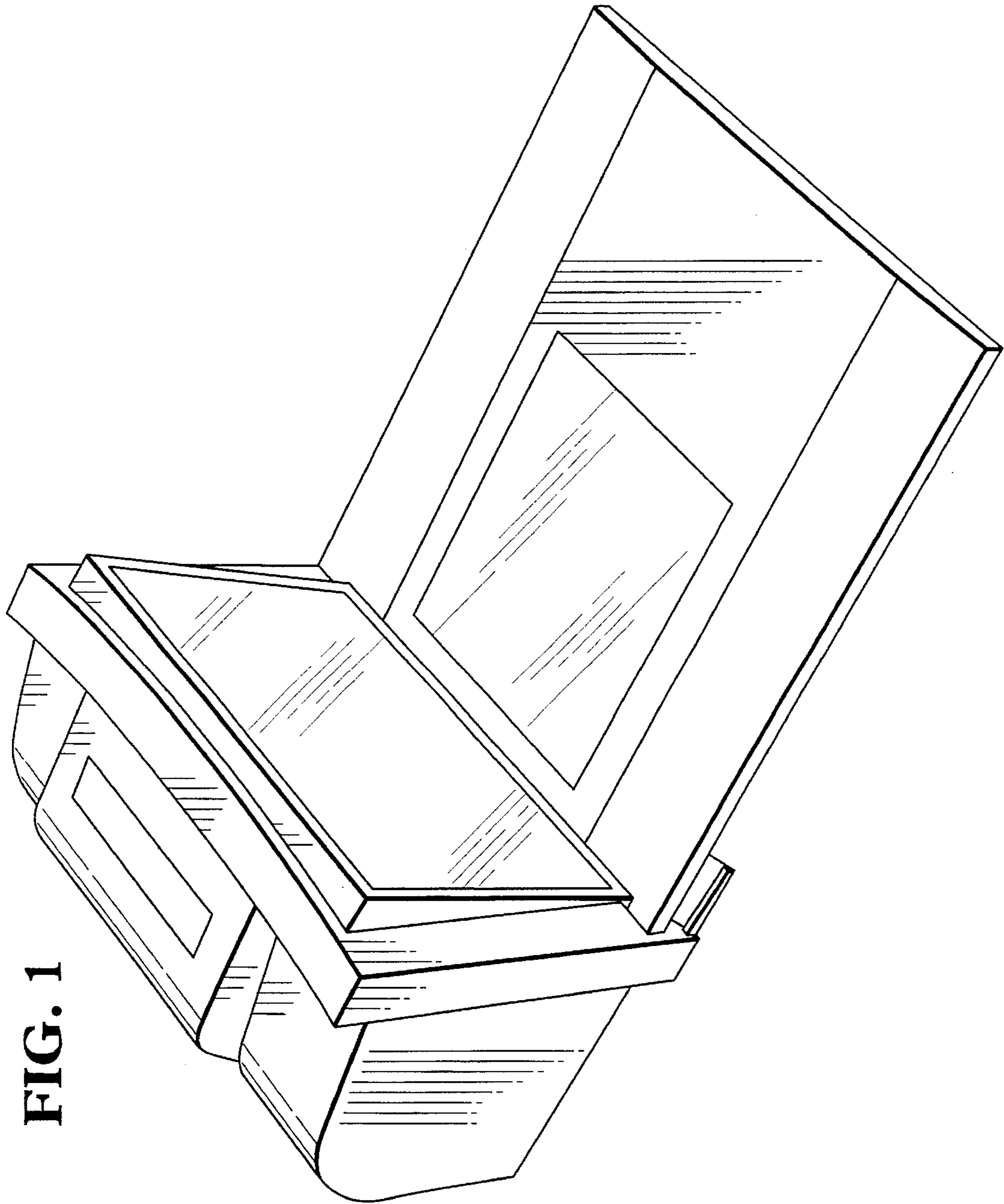


FIG. 1

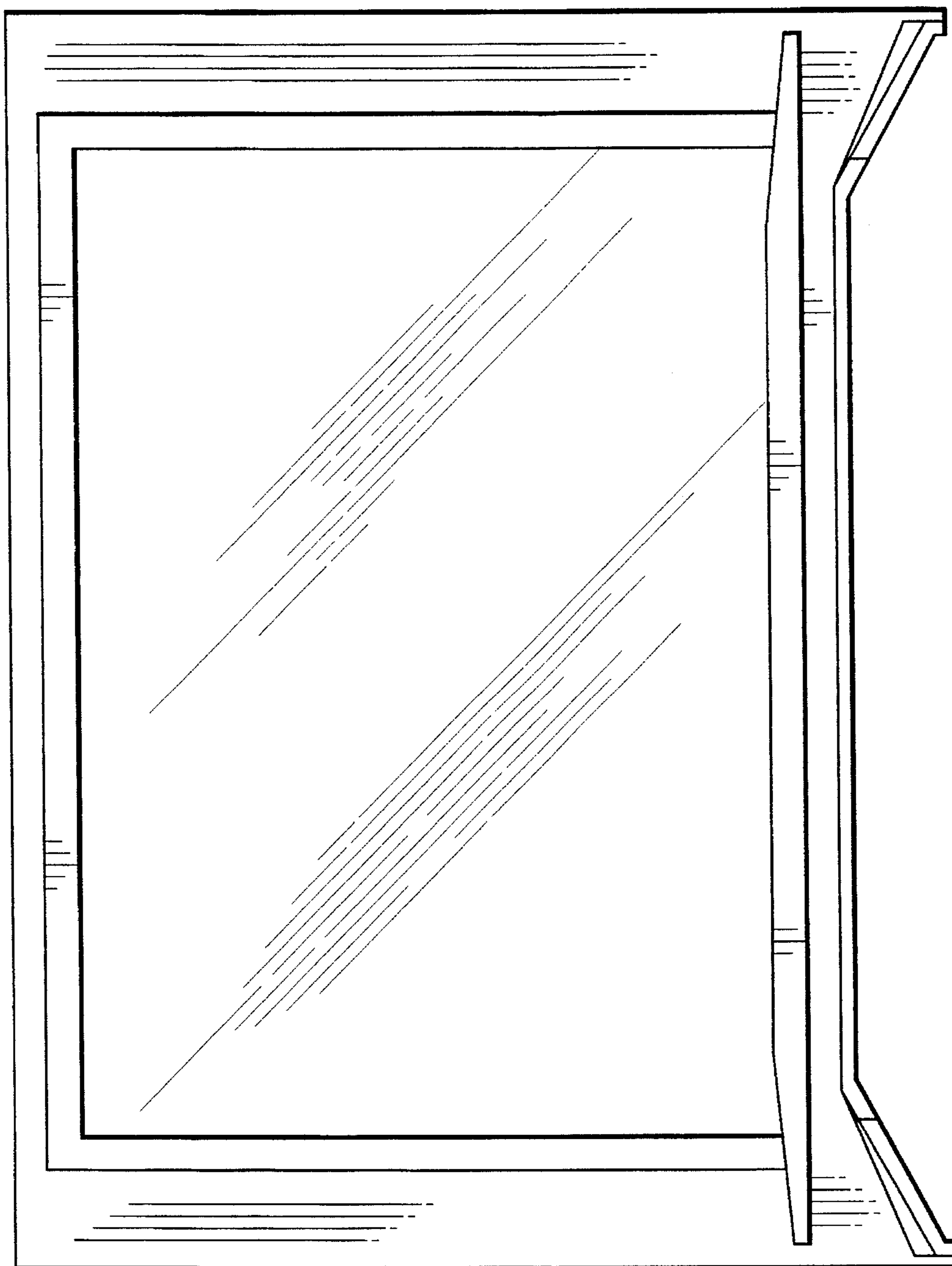


FIG. 2

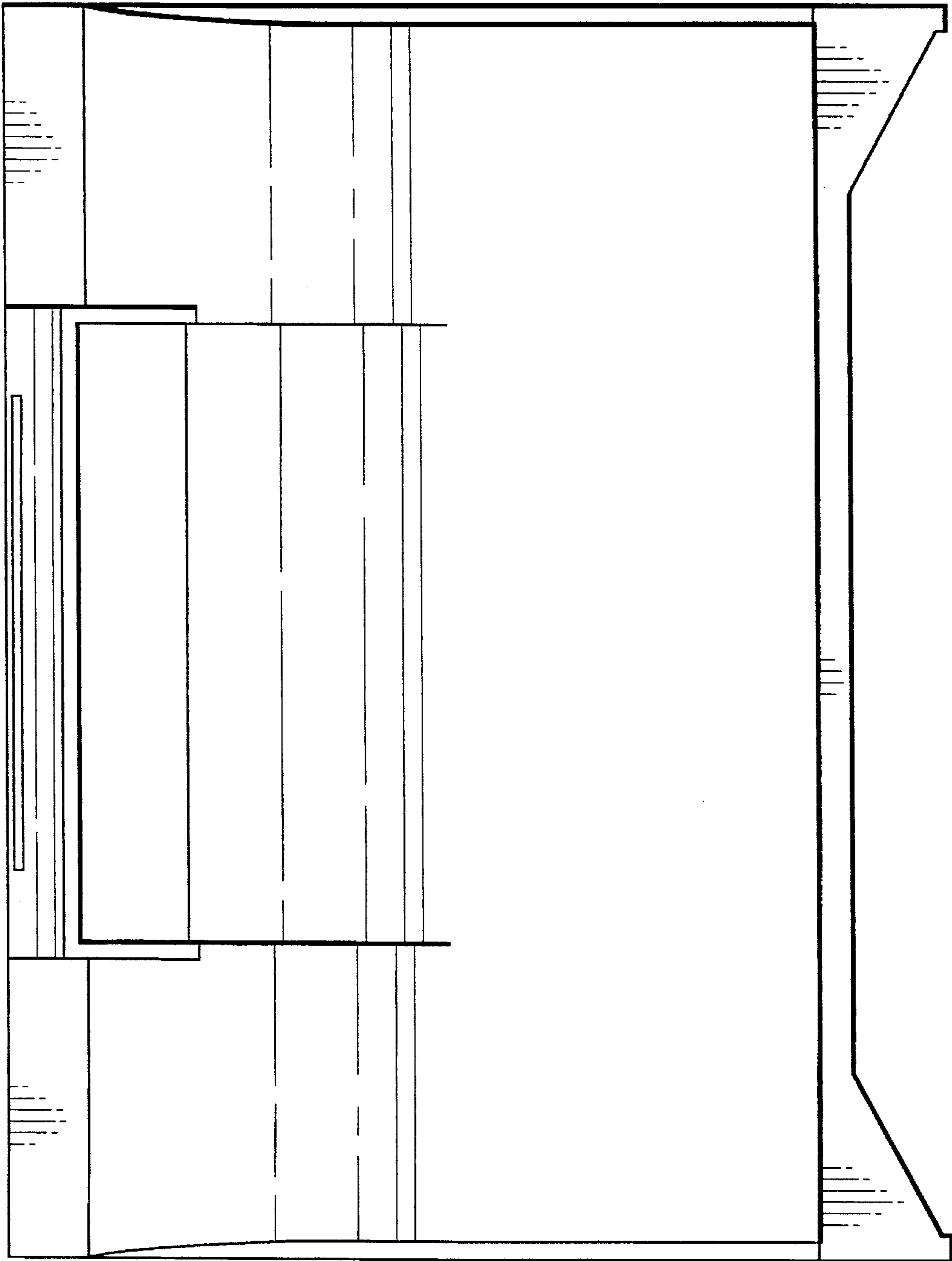


FIG. 3

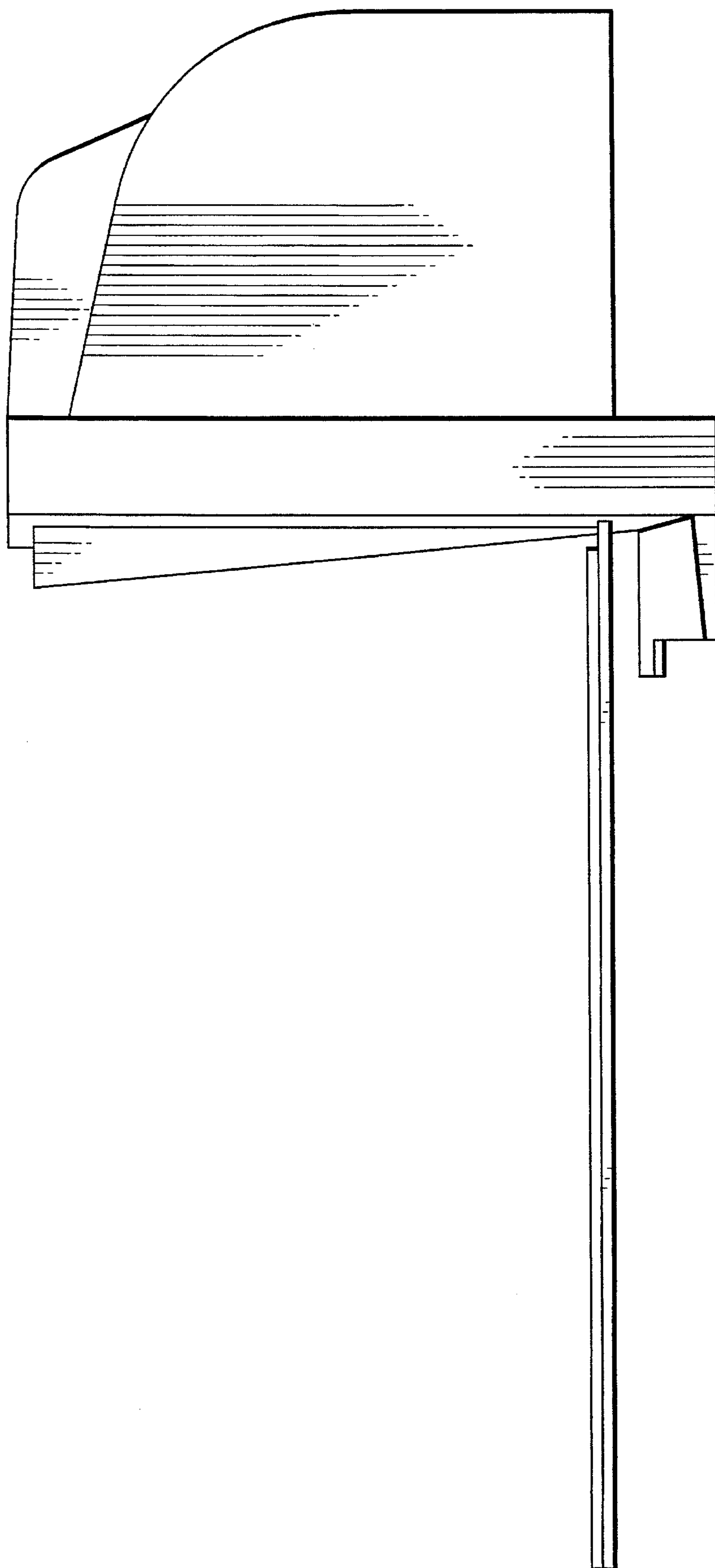


FIG. 4

FIG. 5

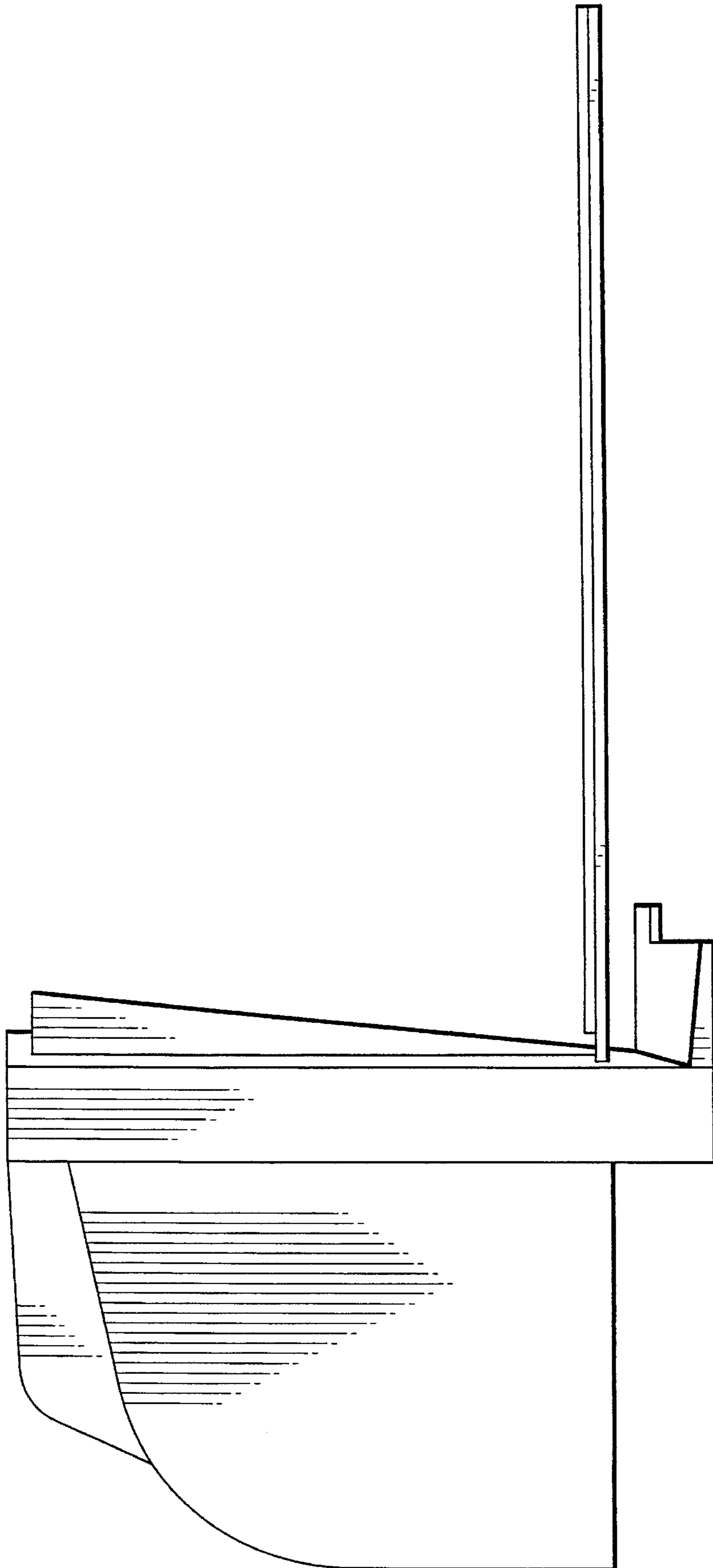


FIG. 6

