



US00D377341S

United States Patent [19]

[11] Patent Number: **Des. 377,341**

Imai et al.

[45] Date of Patent: ****Jan. 14, 1997**

[54] PORTABLE COMMUNICATION TERMINAL

[75] Inventors: **Fumihito Imai; Michio Nagai; Keigo Kawasaki**, all of Tokyo, Japan

[73] Assignee: **NEC Corporation**, Tokyo, Japan

[**] Term: **14 Years**

[21] Appl. No.: **50,342**

[22] Filed: **Feb. 15, 1996**

[30] Foreign Application Priority Data

Aug. 15, 1995 [JP] Japan 7-23847

[52] U.S. Cl. **D14/100; D14/144; D14/138**

[58] Field of Search D14/100, 105, D14/106, 107, 245, 138, 144, 230; D18/1, 2, 7; 178/18, 19; 341/22, 23; 345/156, 168, 169, 172, 173, 87; 364/708.1; 400/472, 479, 486, 489; D20/10

[56] References Cited

U.S. PATENT DOCUMENTS

- D. 310,211 8/1990 Tanbe D14/105
- D. 315,347 3/1991 Walker D14/100 X
- D. 334,775 4/1993 Foster D20/10
- D. 361,754 8/1995 Jambhekar et al. D14/100
- D. 362,252 9/1995 Ansell et al. D14/100X
- D. 364,391 11/1995 Drugge D14/100
- 5,189,632 2/1993 Paaanen et al. D14/100 X

OTHER PUBLICATIONS

IBM brochure "SIMON" published prior to Aug. 15, 1995, 12 pages.

Primary Examiner—Freda Nunn

Attorney, Agent, or Firm—Sughrue, Mion, Zinn, Macpeak & Seas

[57] CLAIM

The ornamental design for a portable communication terminal, as shown and described.

DESCRIPTION

FIG. 1 is a perspective view of the top end front and right side of the portable communication terminal showing our new design;

FIG. 2 is a front elevational view thereof;

FIG. 3 is a rear elevational view thereof;

FIG. 4 is a left side elevational view thereof;

FIG. 5 is a right side elevational view thereof;

FIG. 6 is a top end elevational view thereof;

FIG. 7 is a bottom end elevational view thereof;

FIG. 8 is a perspective view of the top left side and bottom end view thereof with the cover in the open position and the antenna in an upright position;

FIG. 9 is a front elevational view thereof;

FIG. 10 is a top plan view thereof; and,

FIG. 11 is a left side elevational view thereof.

1 Claim, 4 Drawing Sheets

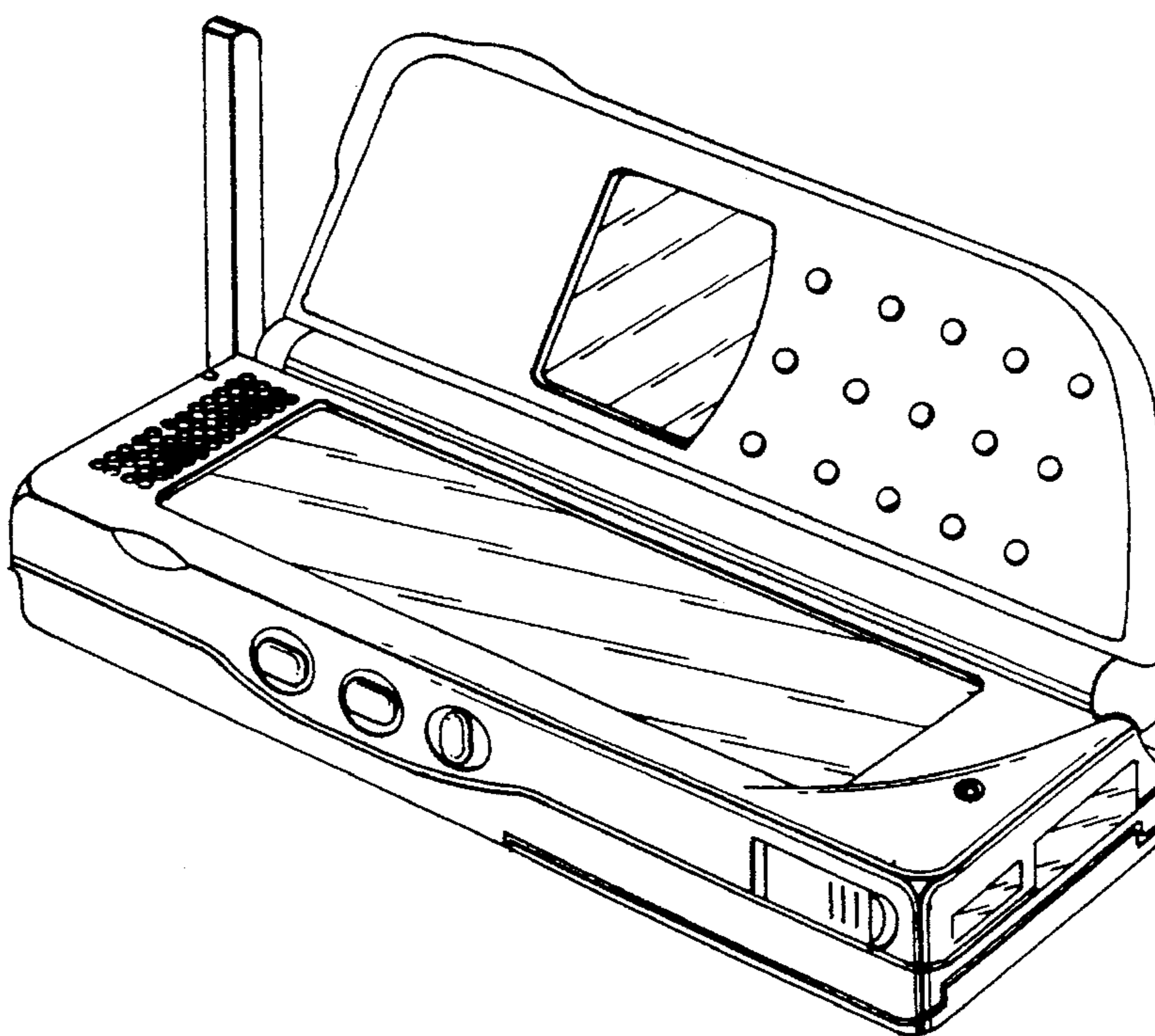
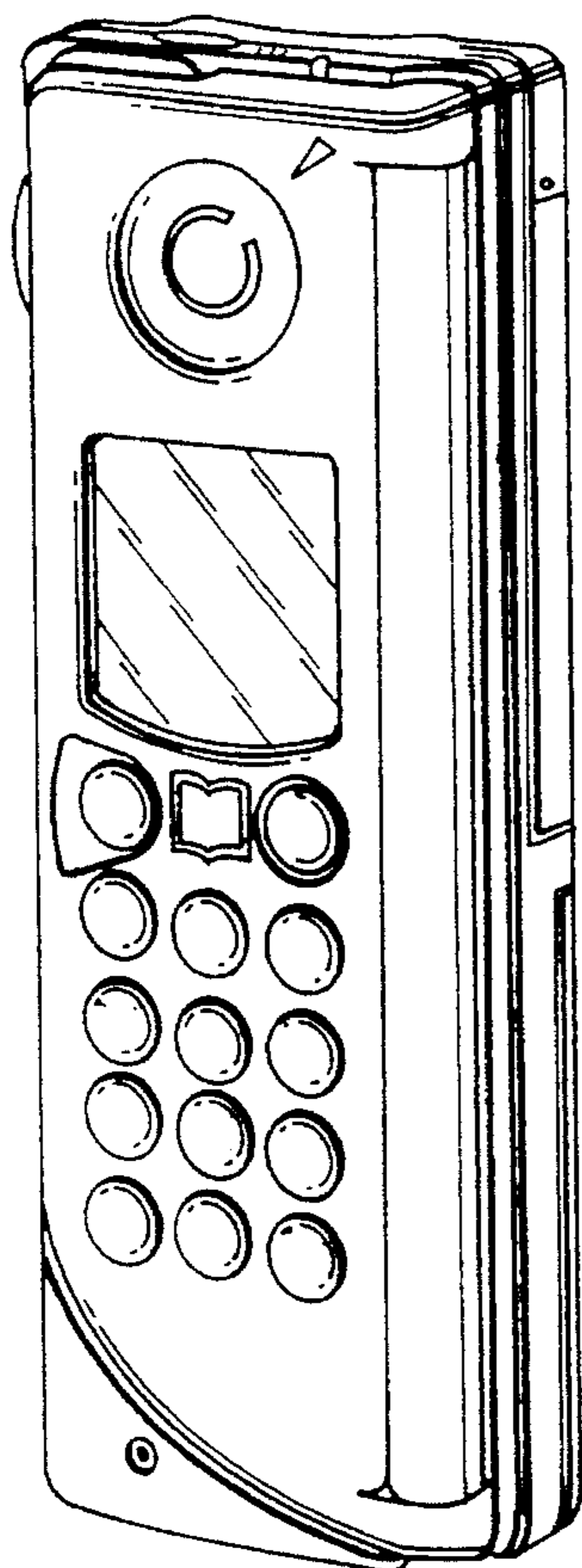


FIG. 1

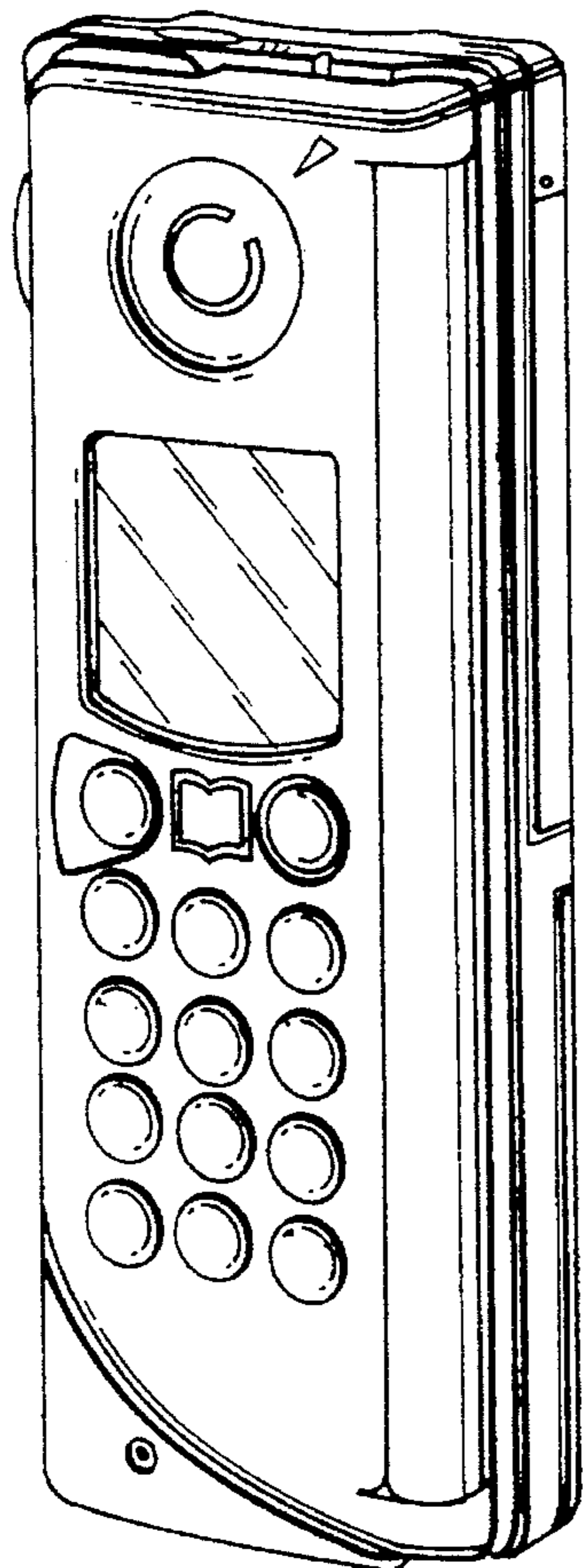


FIG. 8

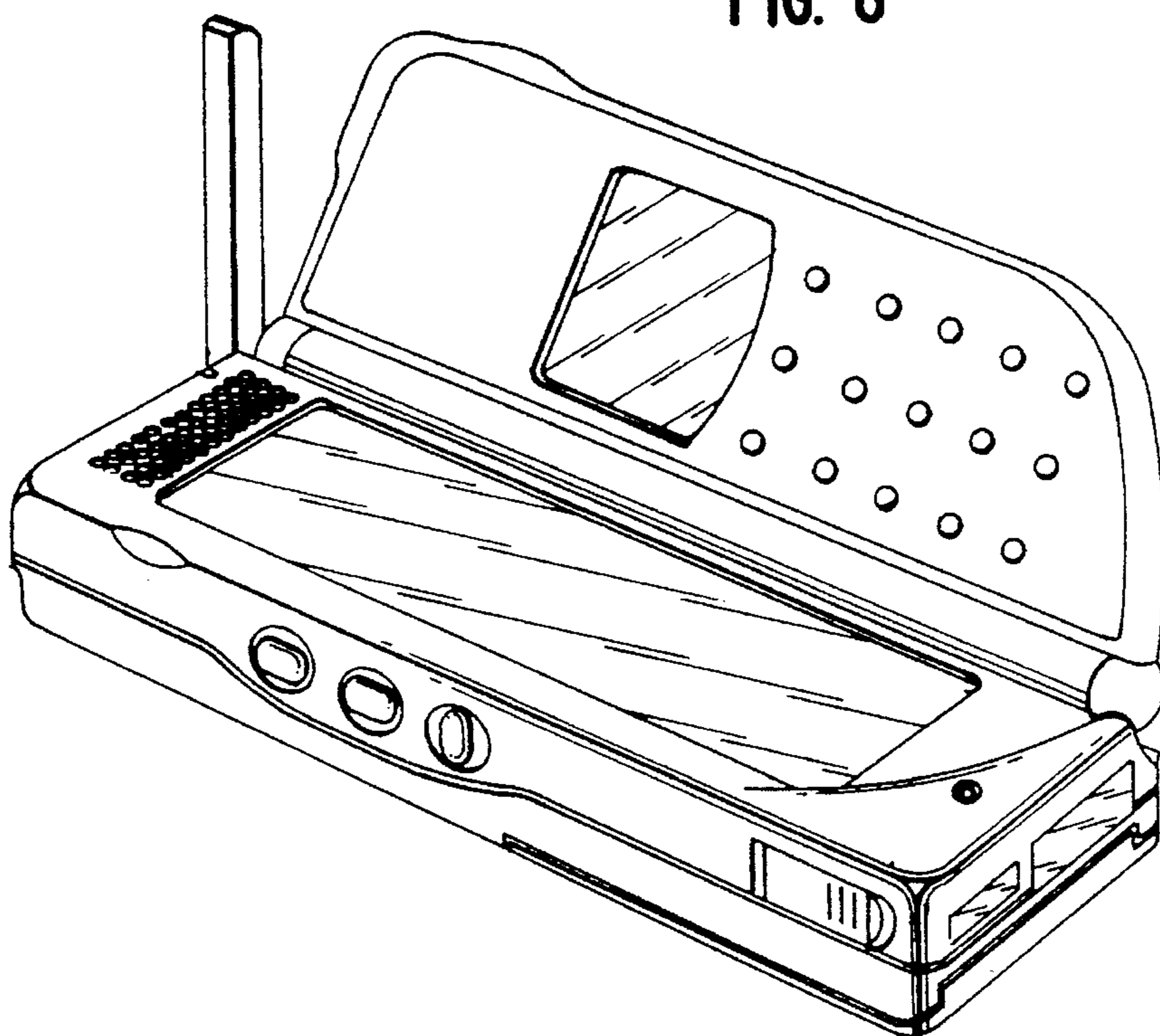


FIG. 2

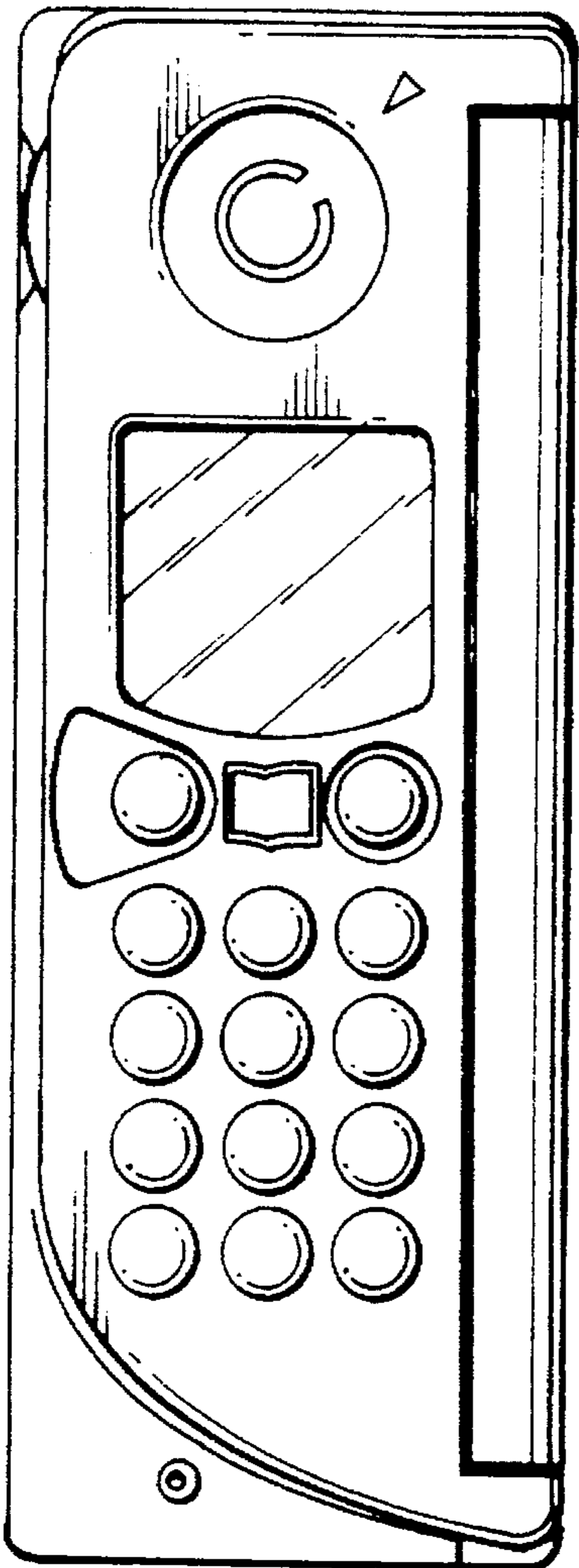


FIG. 3

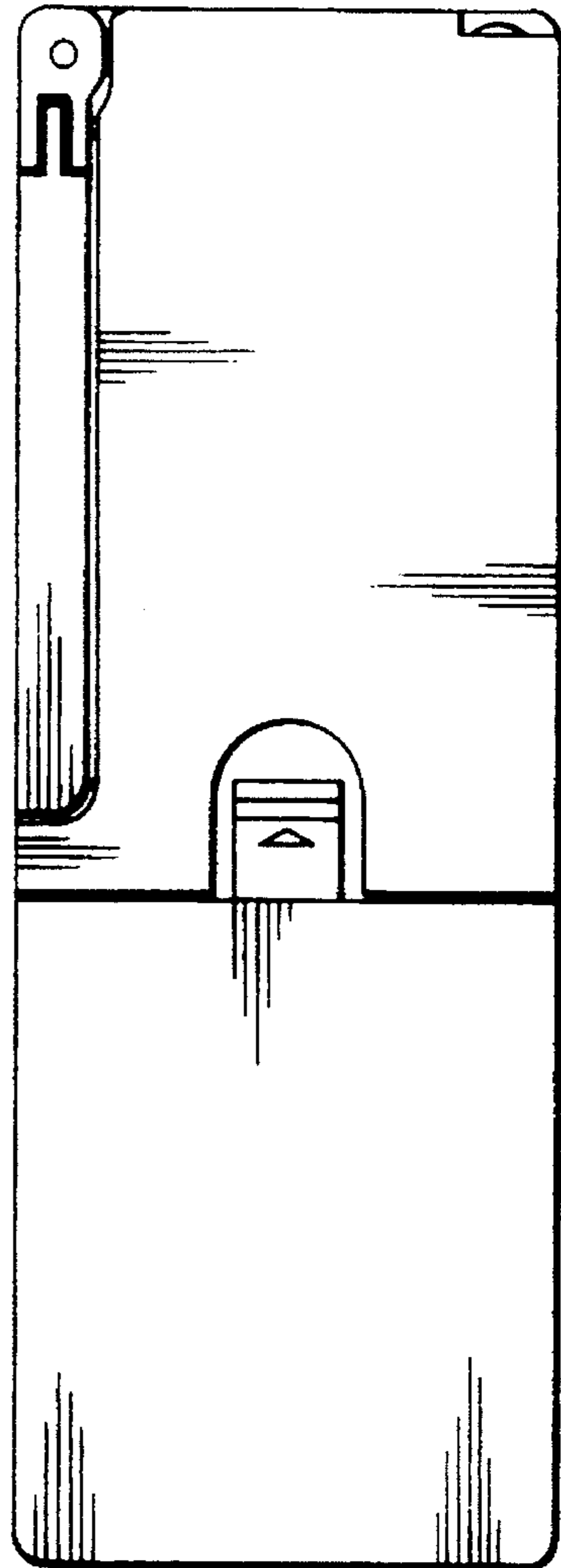


FIG. 6

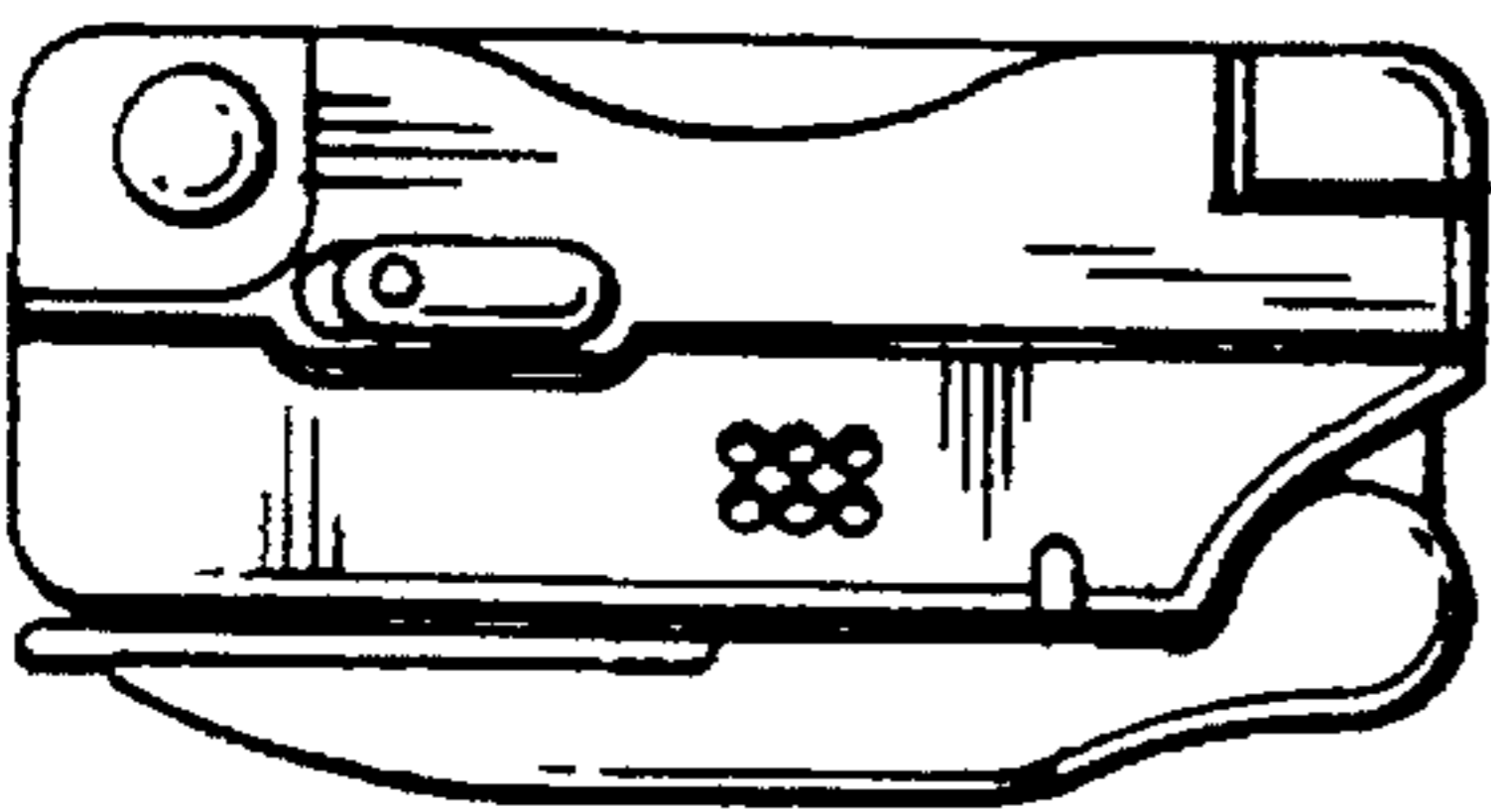


FIG. 7

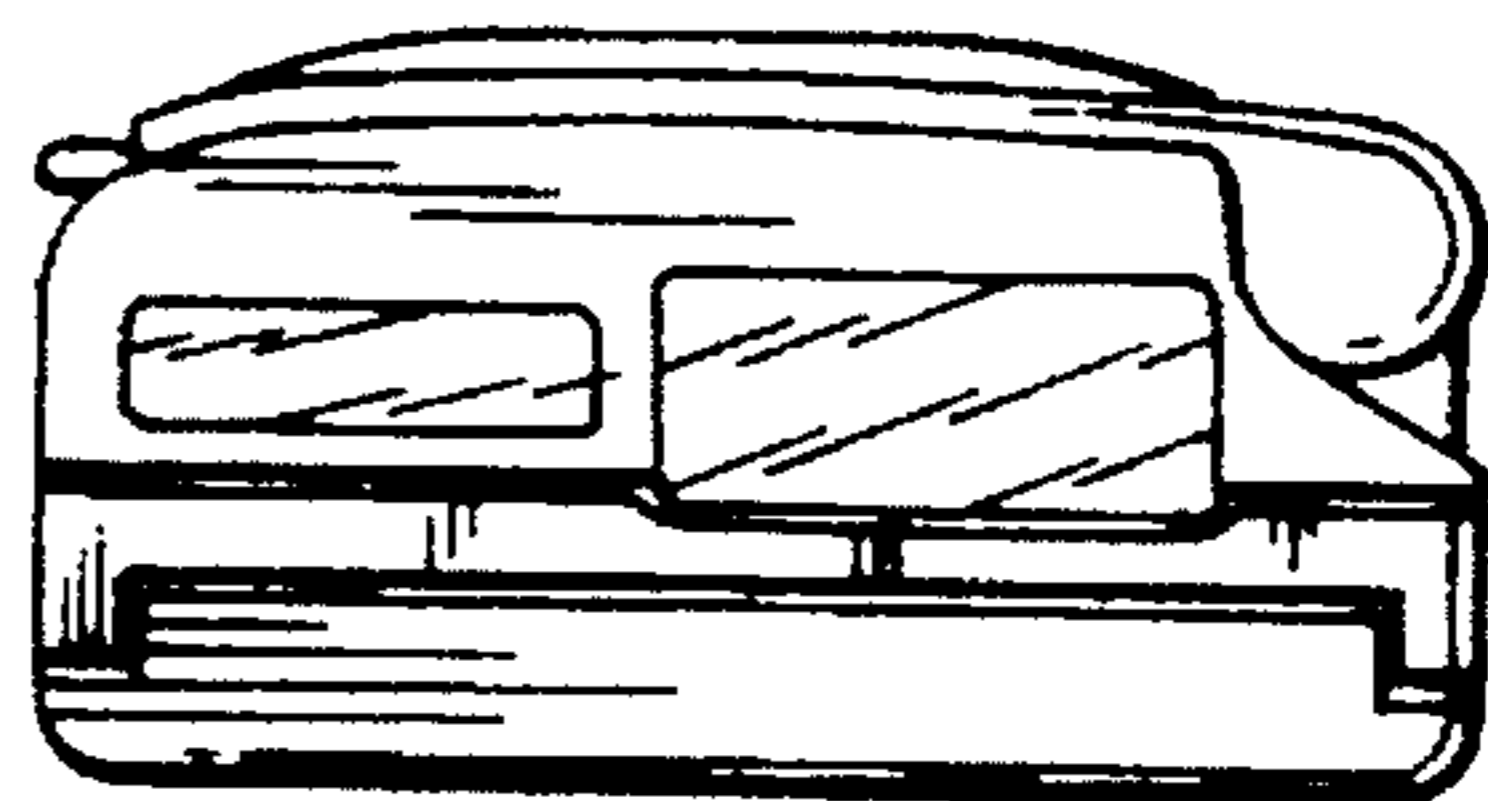


FIG. 4

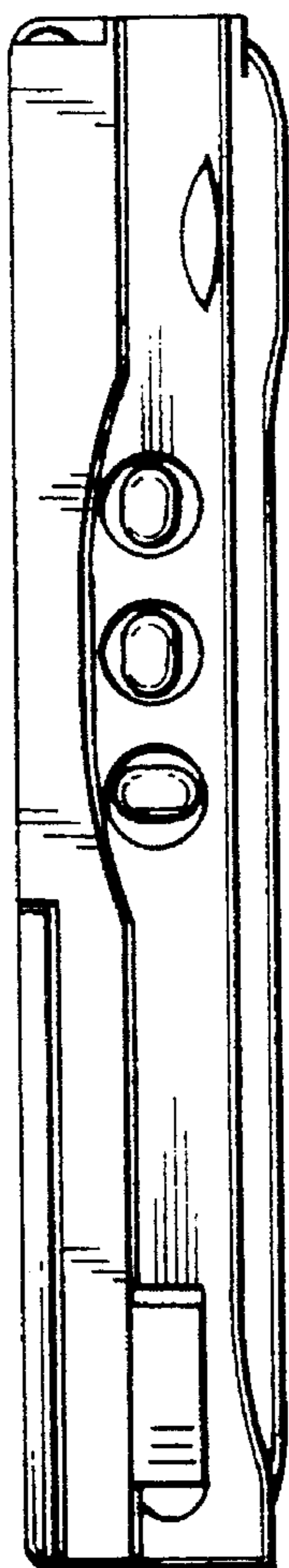


FIG. 5

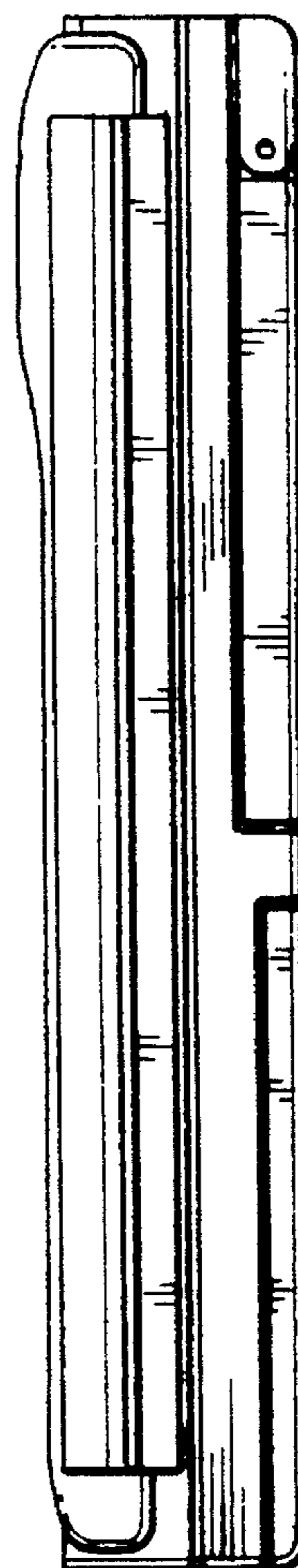


FIG. 9

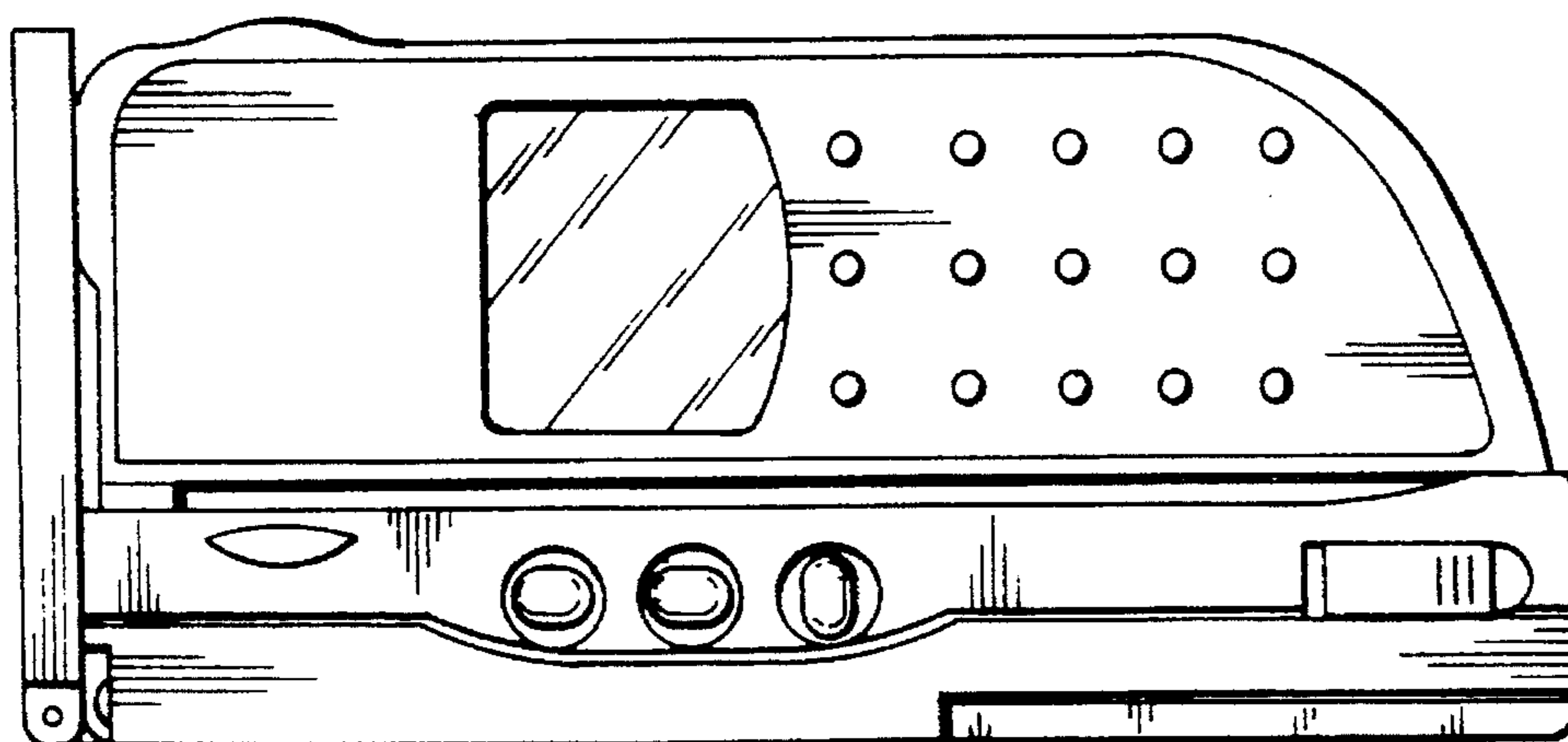


FIG. 10

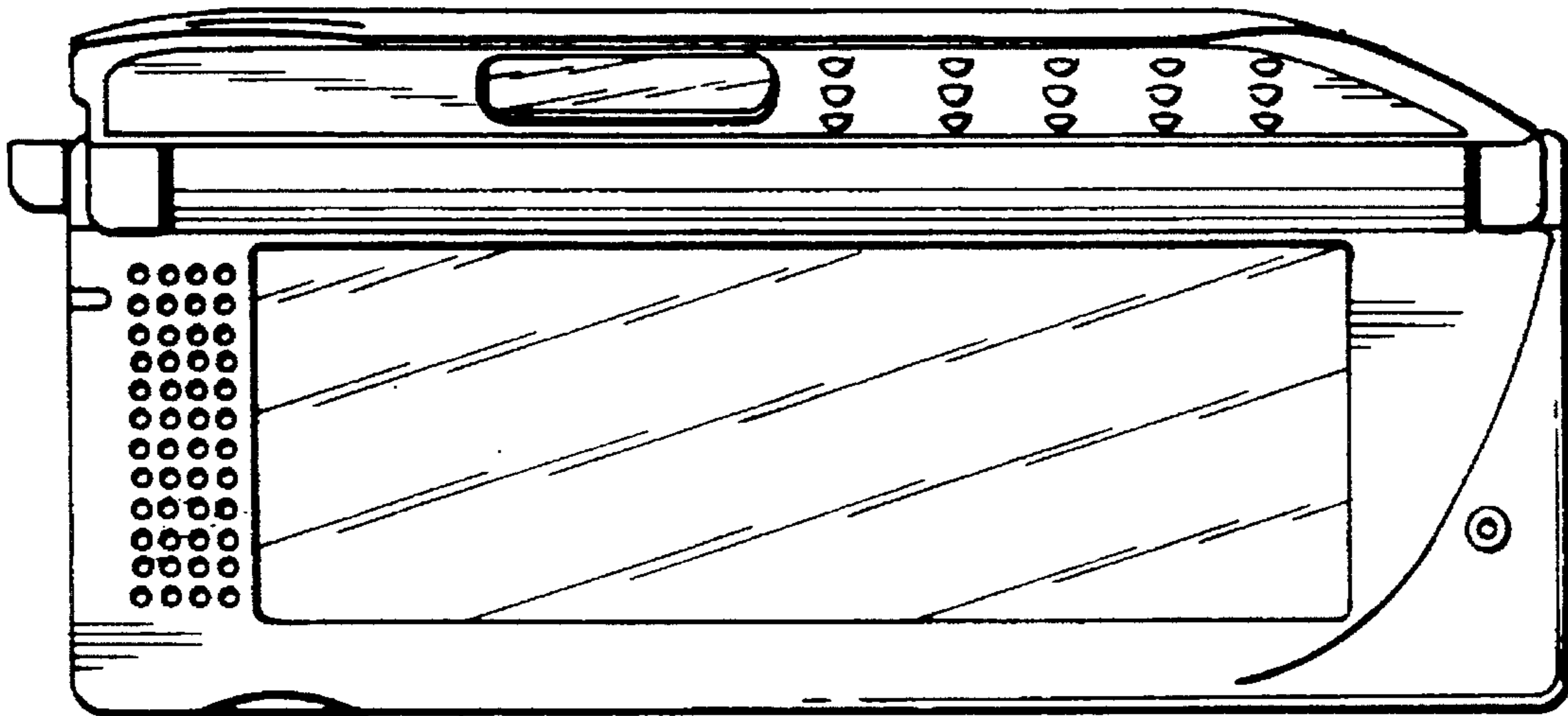


FIG. 11

