



US00D377340S

United States Patent [19]

[11] Patent Number: **Des. 377,340**

Brenner et al.

[45] Date of Patent: ****Jan. 14, 1997**

[54] **COMPUTER WITH PRINTER**

Primary Examiner—Freda Nunn
Attorney, Agent, or Firm—Oliff & Berridge

[75] Inventors: **Richard K. Brenner**, Fanwood, N.J.;
Mark S. Kimbrough, Austin, Tex.;
Philip Leung, Heaton, England; **Robert H. Garrett**; **Pearce Jones**, both of Austin, Tex.

[57] **CLAIM**

The ornamental design for a computer with printer, as shown and described.

[73] Assignee: **Brother International Corporation**, Somerset, N.J.

DESCRIPTION

[**] Term: **14 Years**

FIG. 1 is a front and left side perspective view of a computer with printer showing our new design with the keyboard being in the operating position;

[21] Appl. No.: **49,044**

FIG. 2 is a front view of the design of FIG. 1;

[22] Filed: **Jan. 16, 1996**

FIG. 3 is a rear view of the design of FIG. 1;

[52] U.S. Cl. **D14/100**; D14/101; D14/106

FIG. 4 is a left-side view of the design of FIG. 1;

[58] Field of Search D14/100, 101,
D14/106, 113, 115, 124-127; D18/1, 7,
2, 50; 235/145 A, 145 R; 341/22, 23; 345/104,
156, 168, 173; 361/679-686; 364/708.1;
400/486, 489

FIG. 5 is a right-side view of the design of FIG. 1;

FIG. 6 is a top plan view of the design of FIG. 1;

FIG. 7 is a bottom plan view of the design of FIG. 1;

FIG. 8 is a rear perspective view of the design of FIG. 1 with the keyboard in a stored position;

FIG. 9 is a front view of the design of FIG. 8;

FIG. 10 is a rear view of the design of FIG. 8;

FIG. 11 is a left-side view of the design of FIG. 8;

FIG. 12 is a right-side view of the design of FIG. 8;

FIG. 13 is a top plan view of the design of FIG. 8;

FIG. 14 is a bottom plan view of the design of FIG. 8;

FIG. 15 is an alternate top plan view of the design of FIG. 1; and,

FIG. 16 is a rear view of the keyboard of FIG. 1.

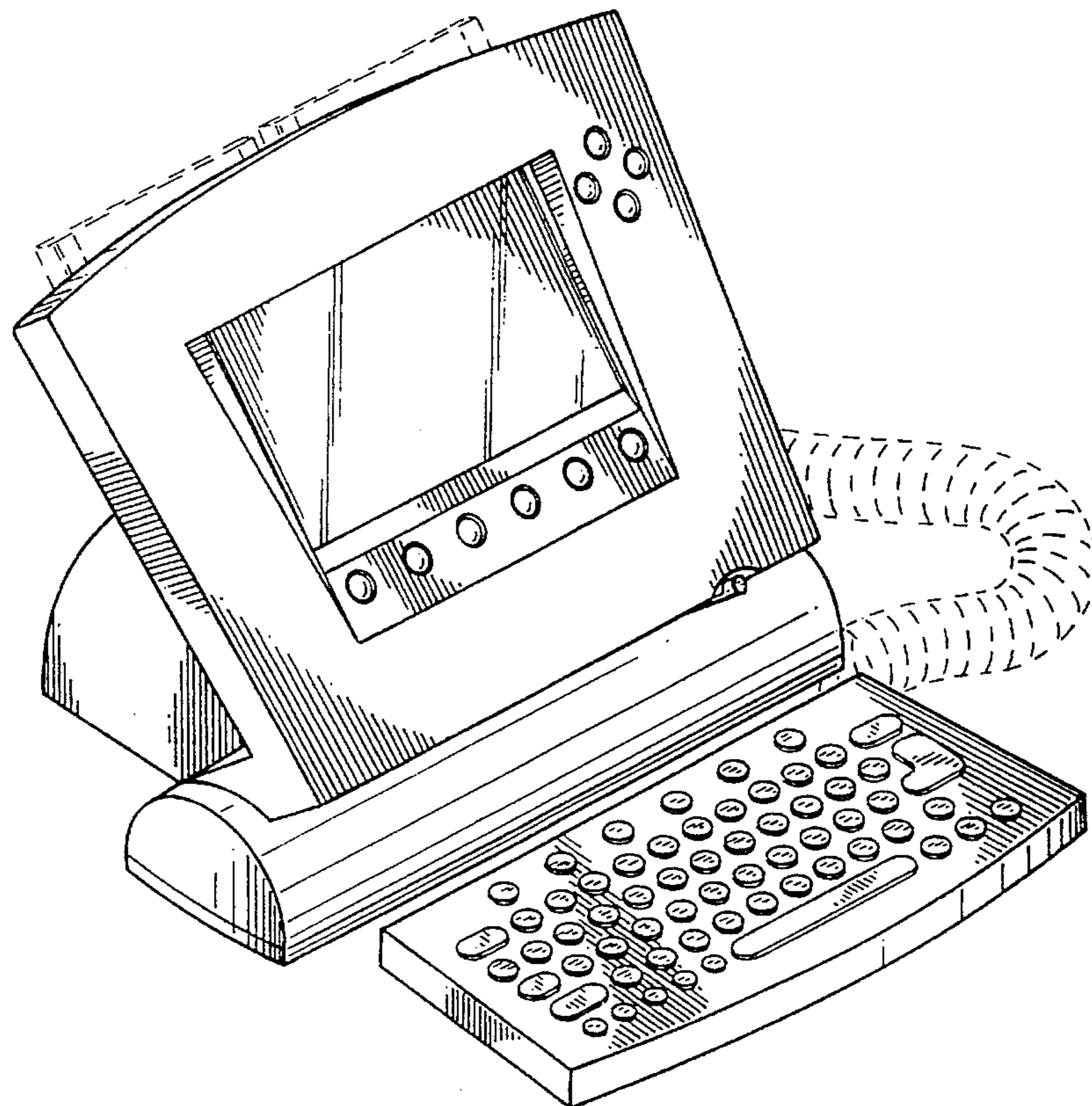
The broken lines are shown in the views for illustrative purposes only and form no part of the claimed design.

[56] **References Cited**

U.S. PATENT DOCUMENTS

| | | | | |
|------------|---------|-----------------|-------|---------|
| D. 323,156 | 1/1992 | Nishida | | D14/101 |
| D. 328,090 | 7/1992 | Ido | | D18/2 |
| D. 344,497 | 2/1994 | Matsumoto | | D14/106 |
| D. 354,741 | 1/1995 | Hutcheson | | D14/100 |
| D. 355,649 | 2/1995 | Gale et al. | | D14/128 |
| D. 356,105 | 3/1995 | Miyahara et al. | | D18/7 |
| D. 364,857 | 12/1995 | Chou | | D14/113 |
| D. 368,895 | 4/1996 | Andre et al. | | D14/101 |

1 Claim, 9 Drawing Sheets



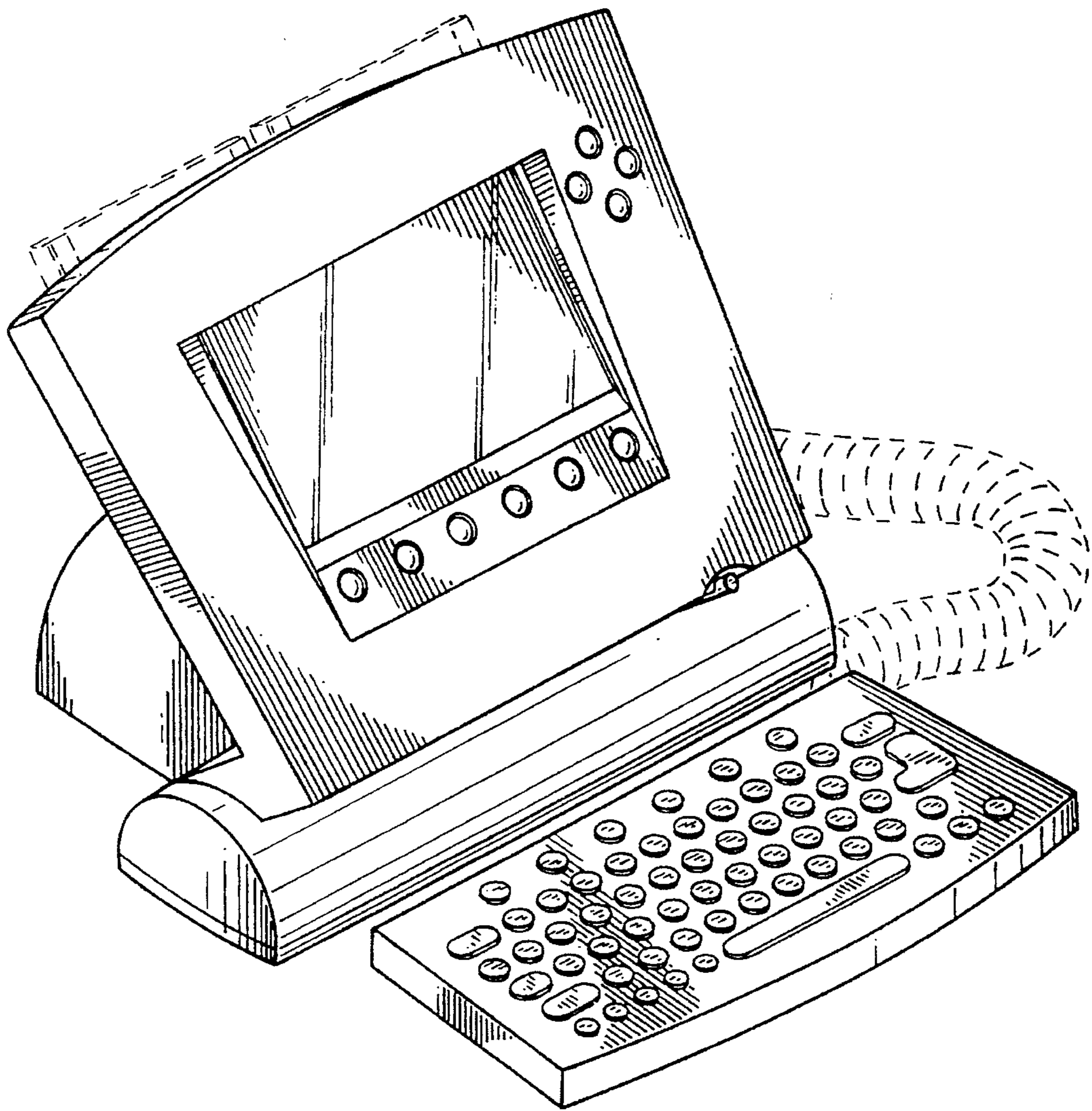


FIG. 1

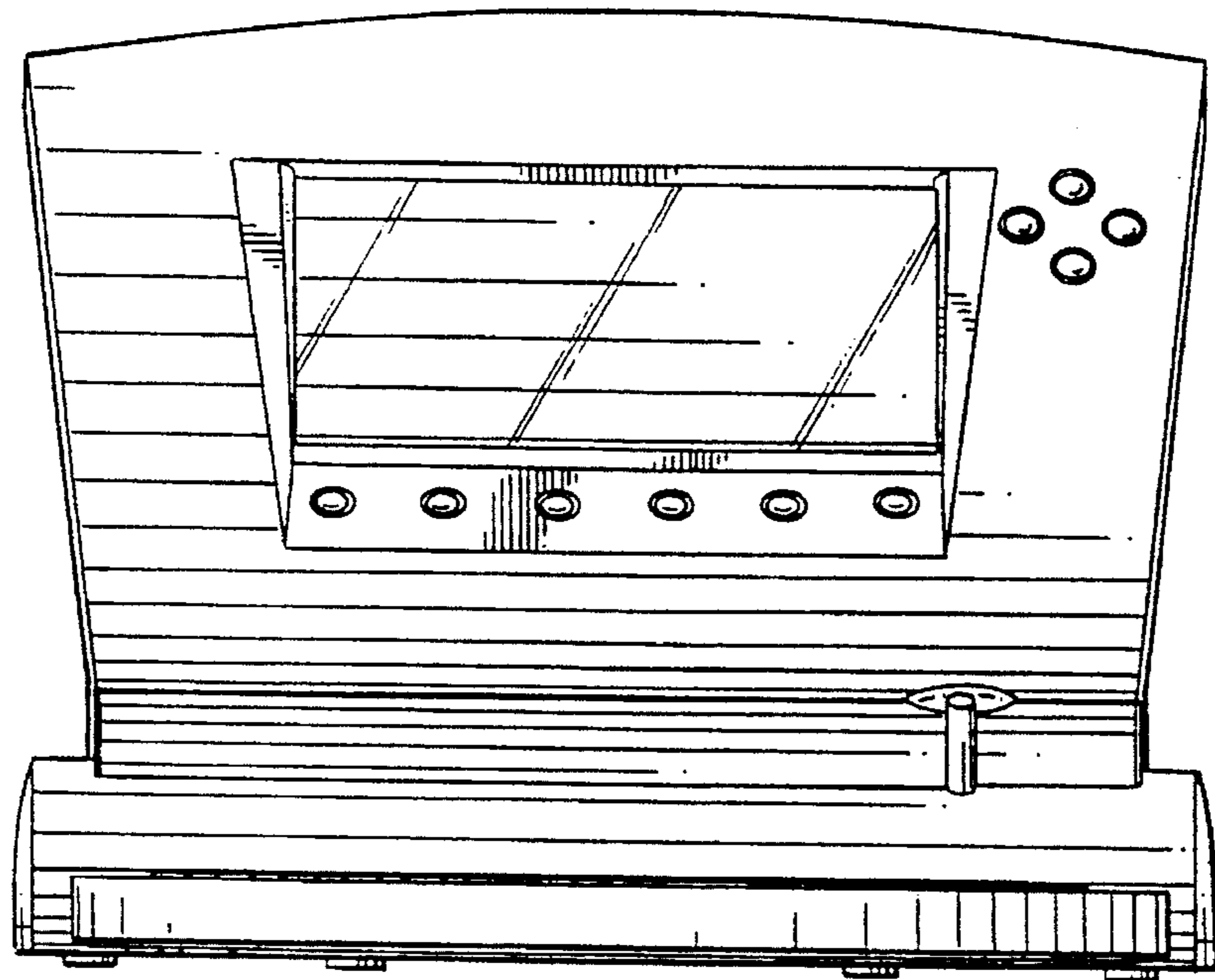


FIG. 2

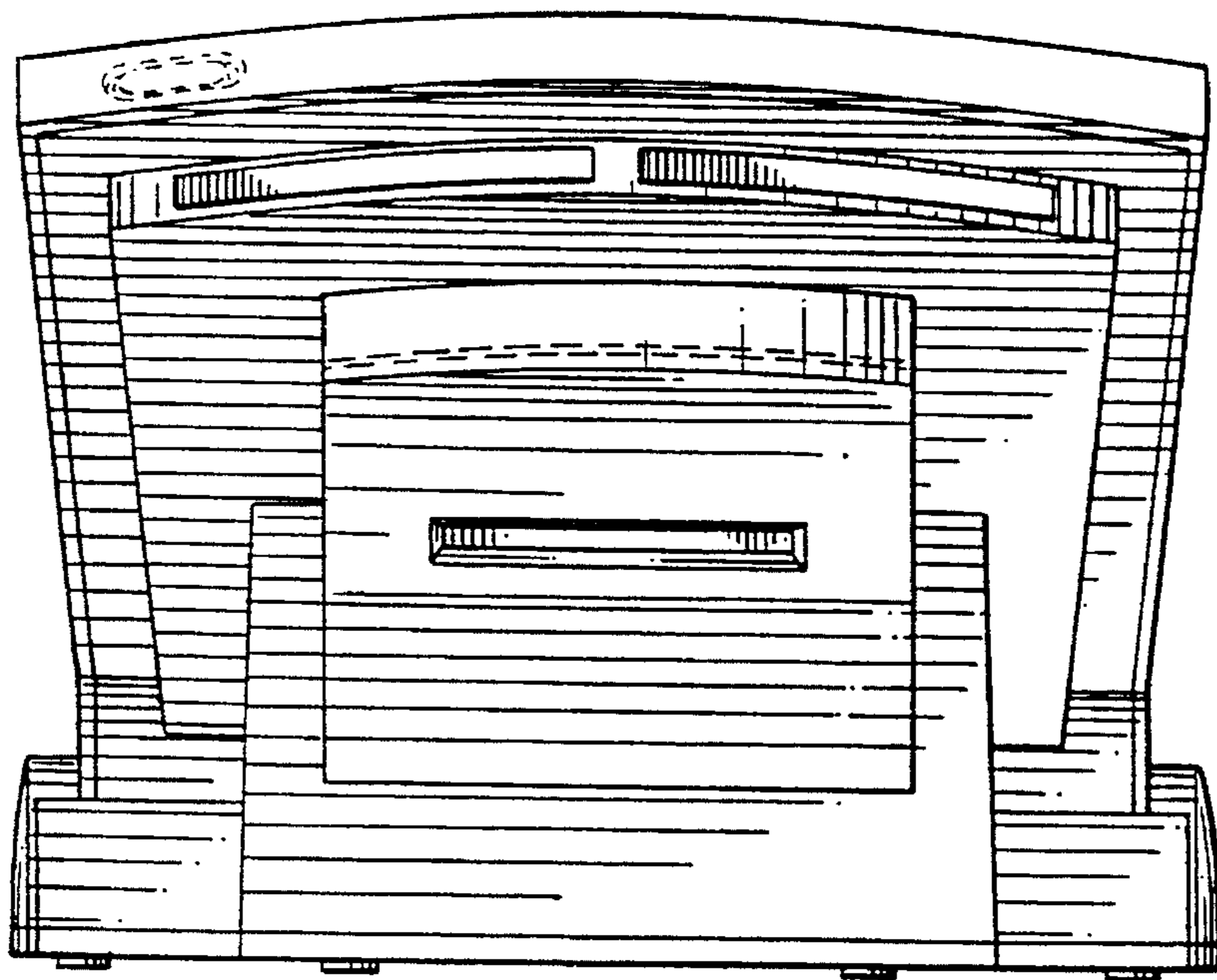


FIG. 3

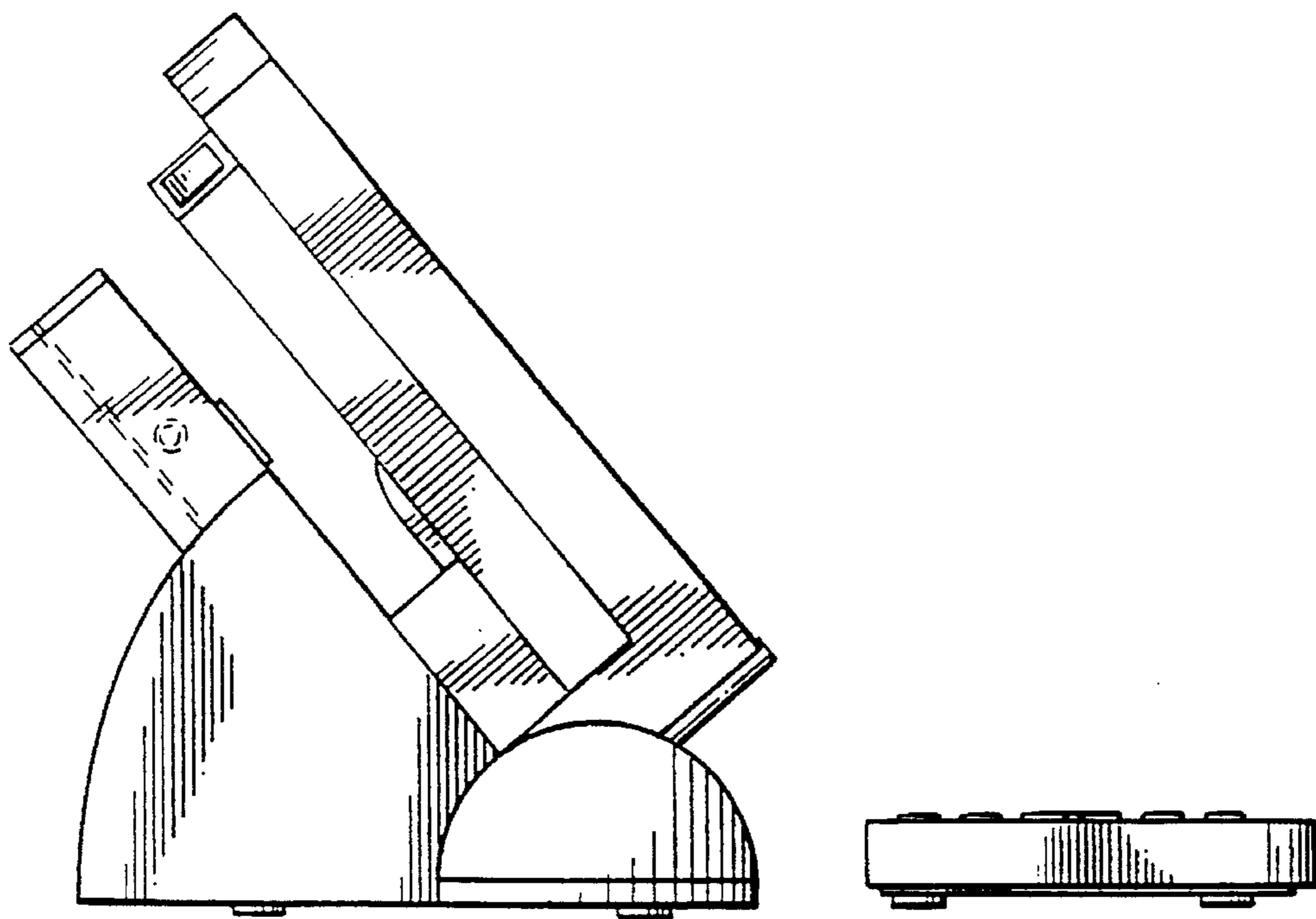


FIG. 4

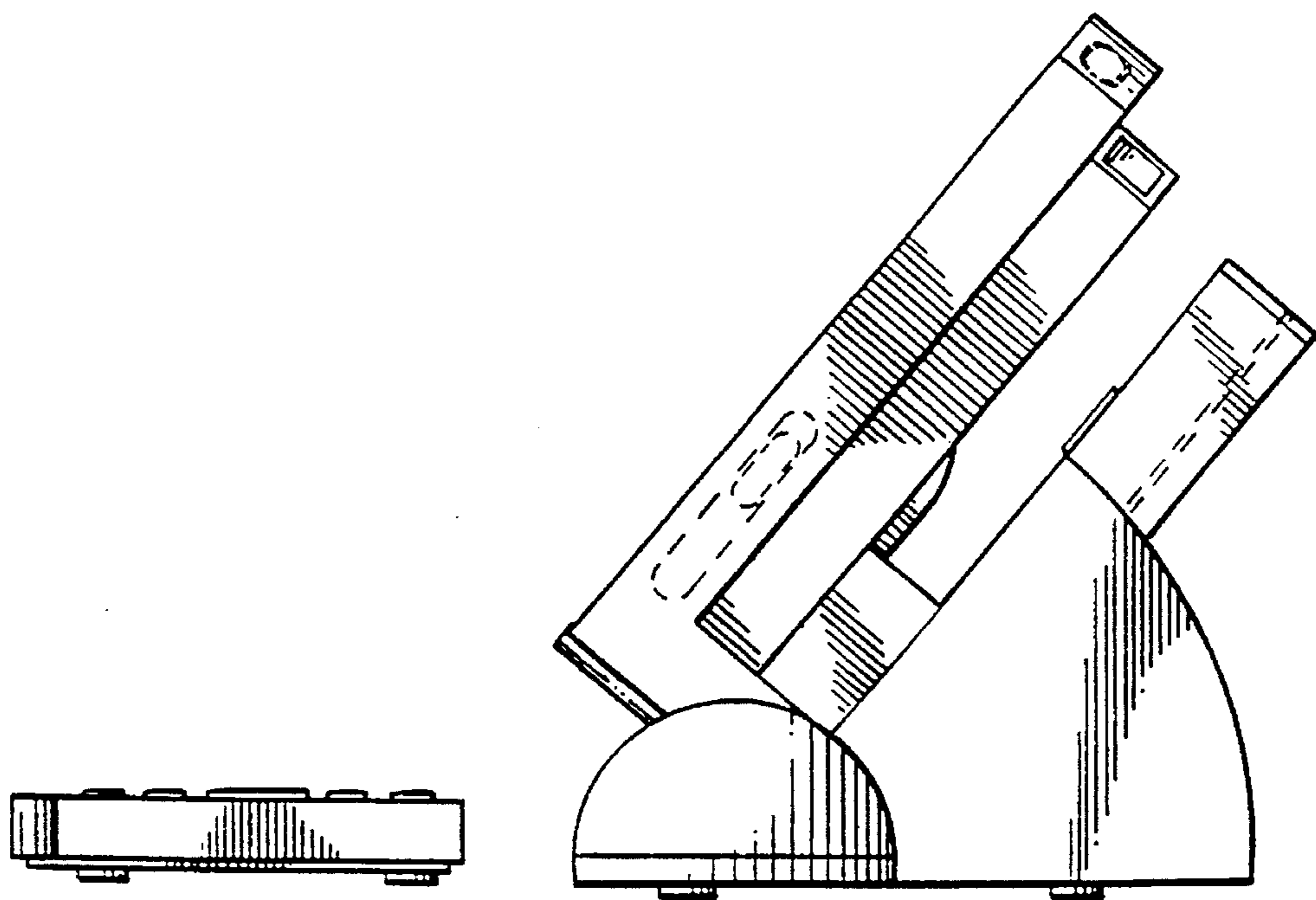


FIG. 5

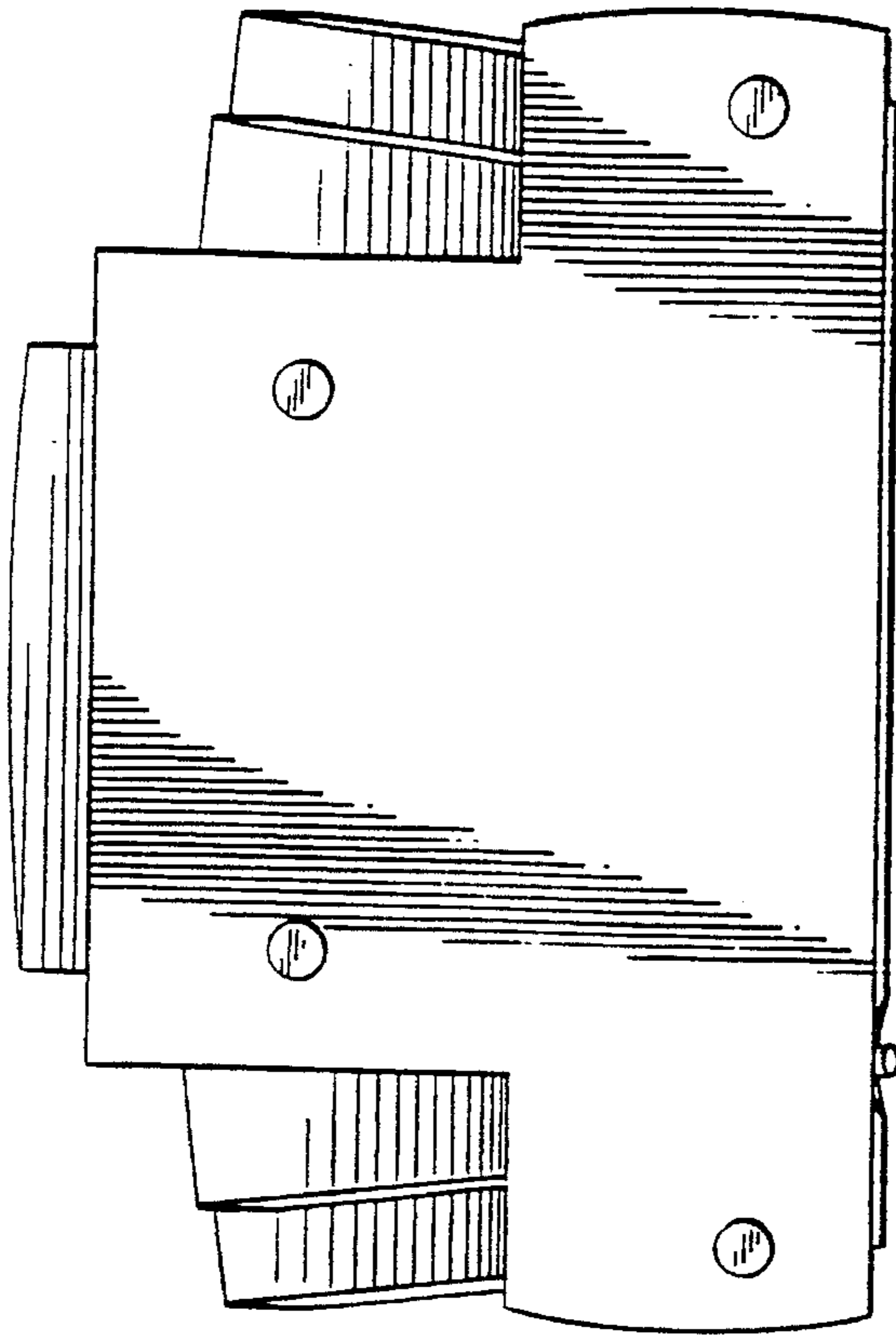


FIG. 6

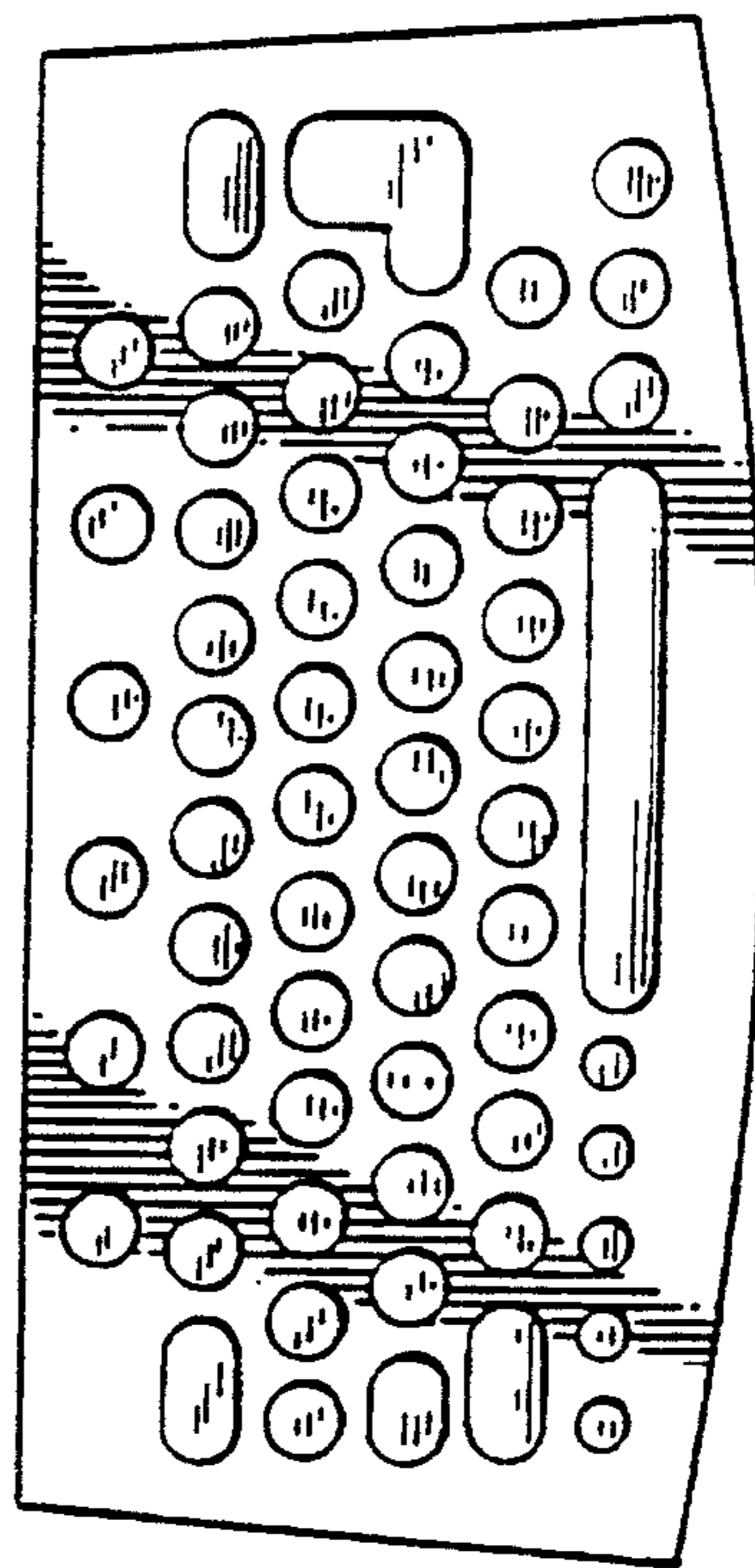
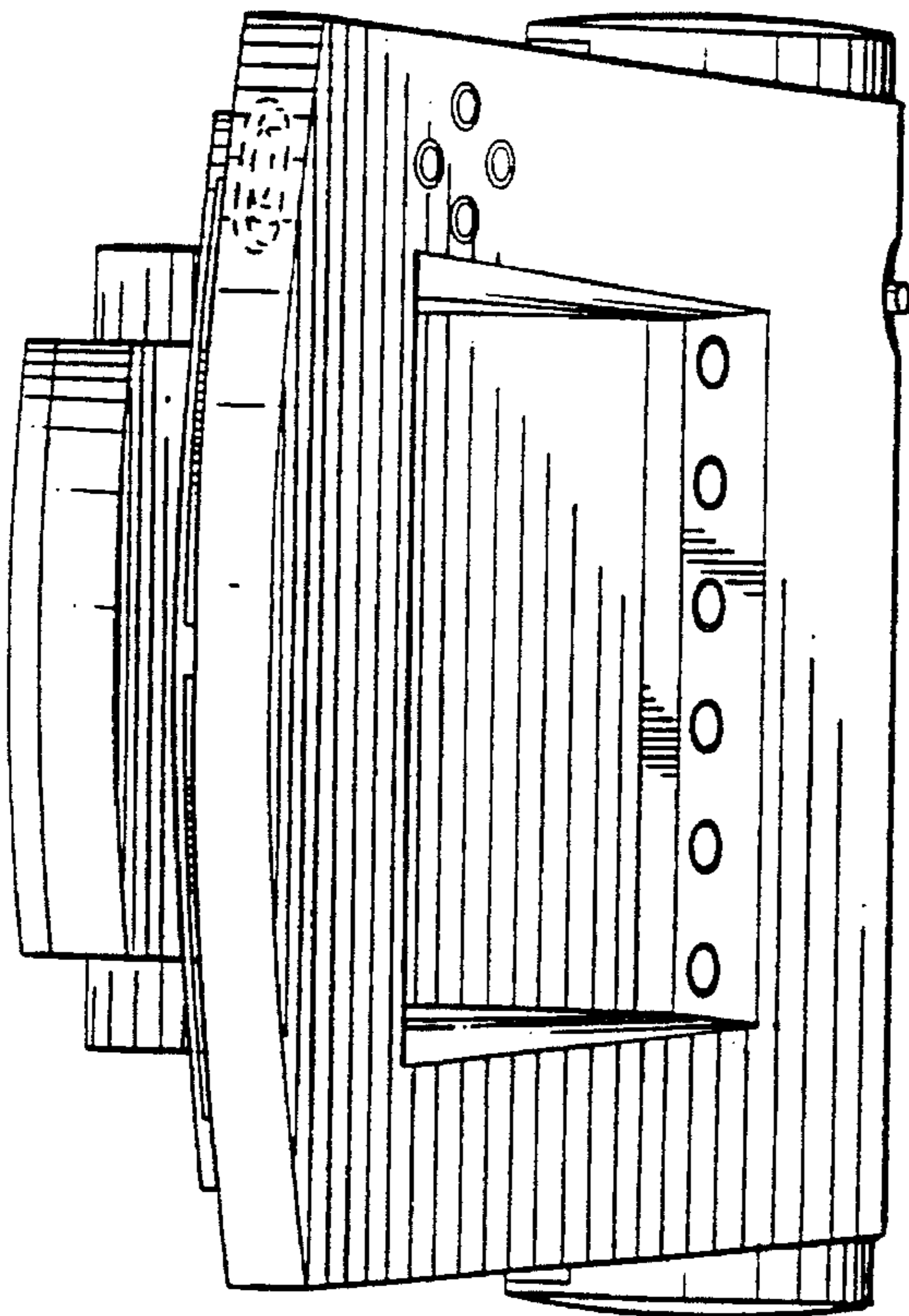
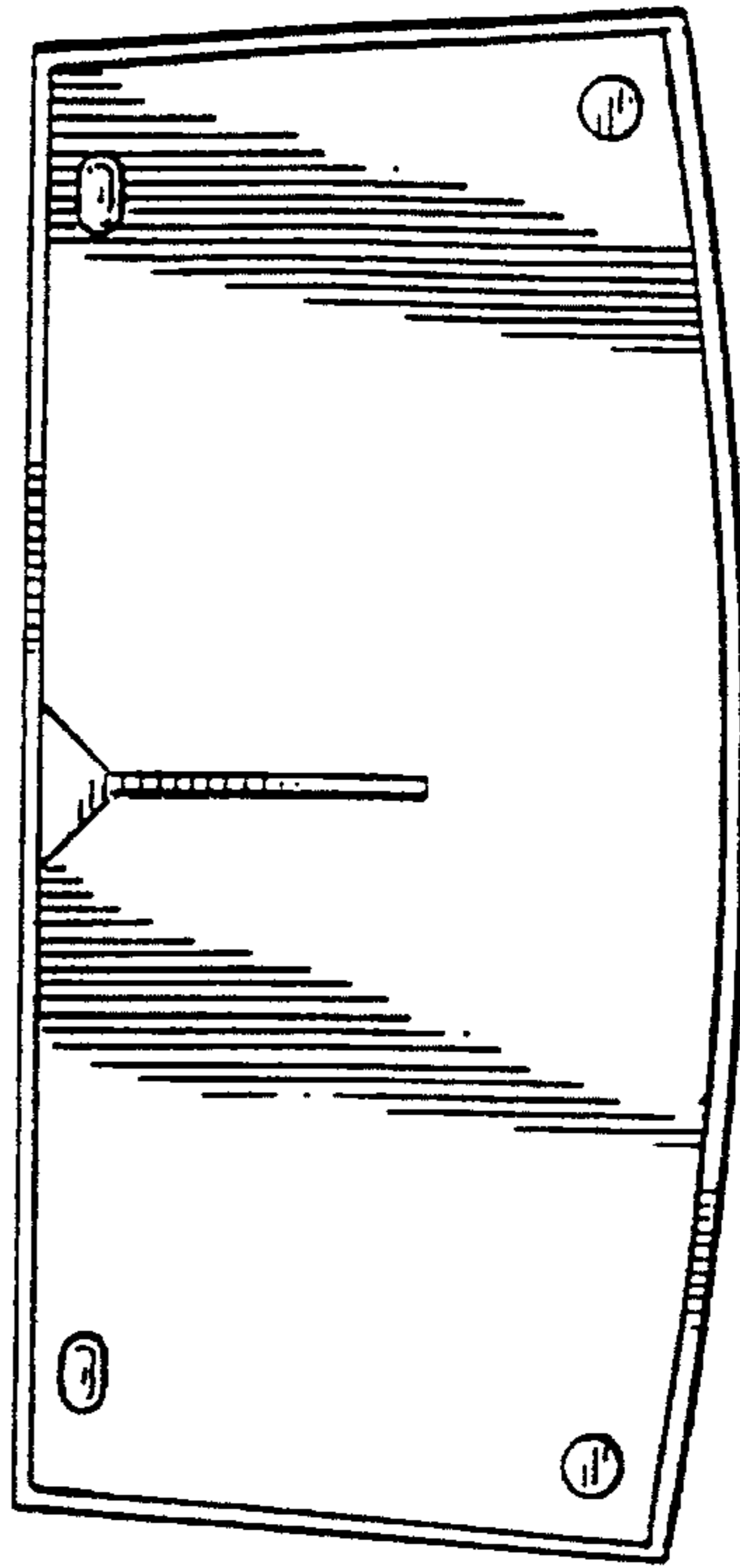


FIG. 7



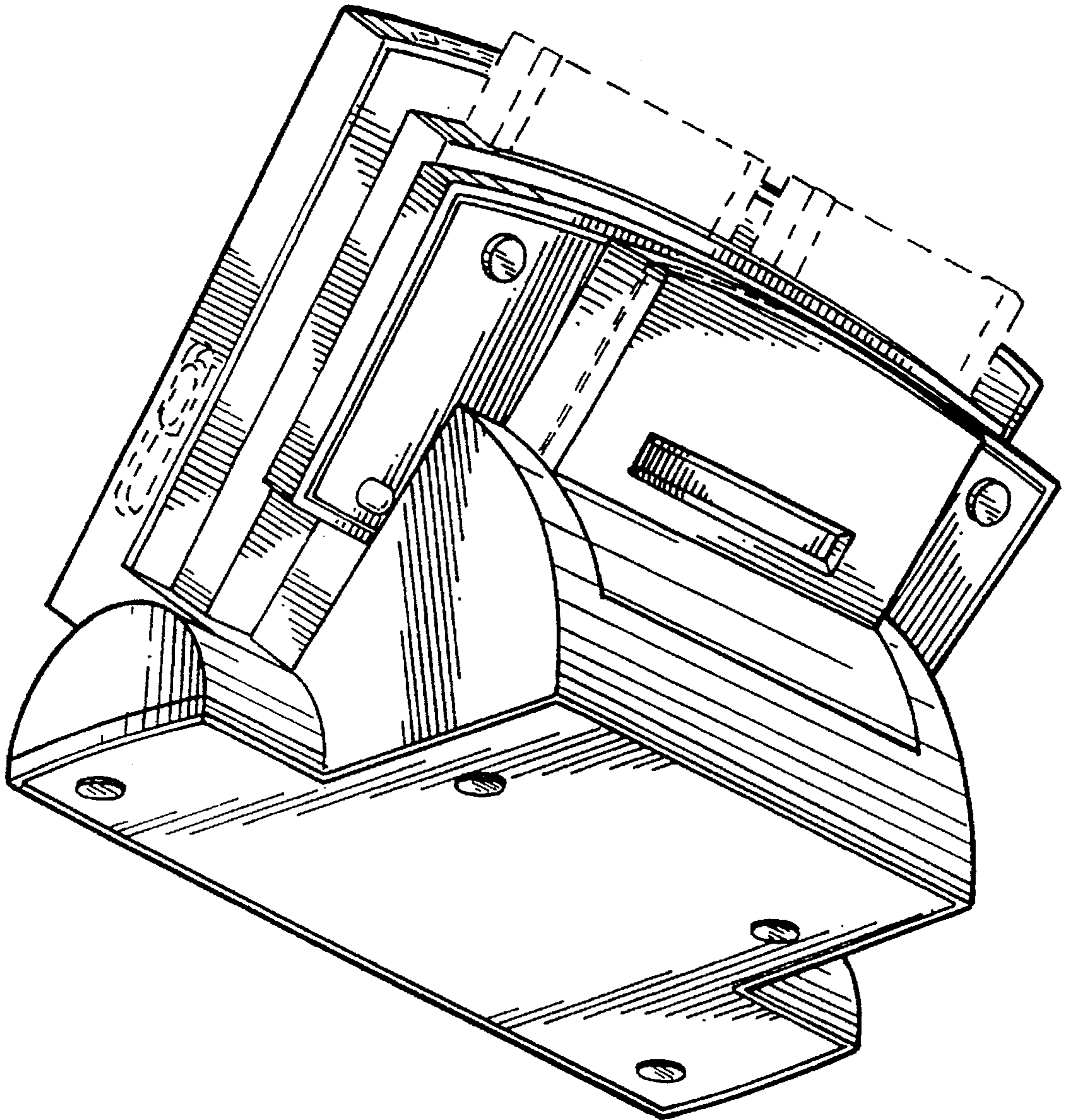


FIG. 8

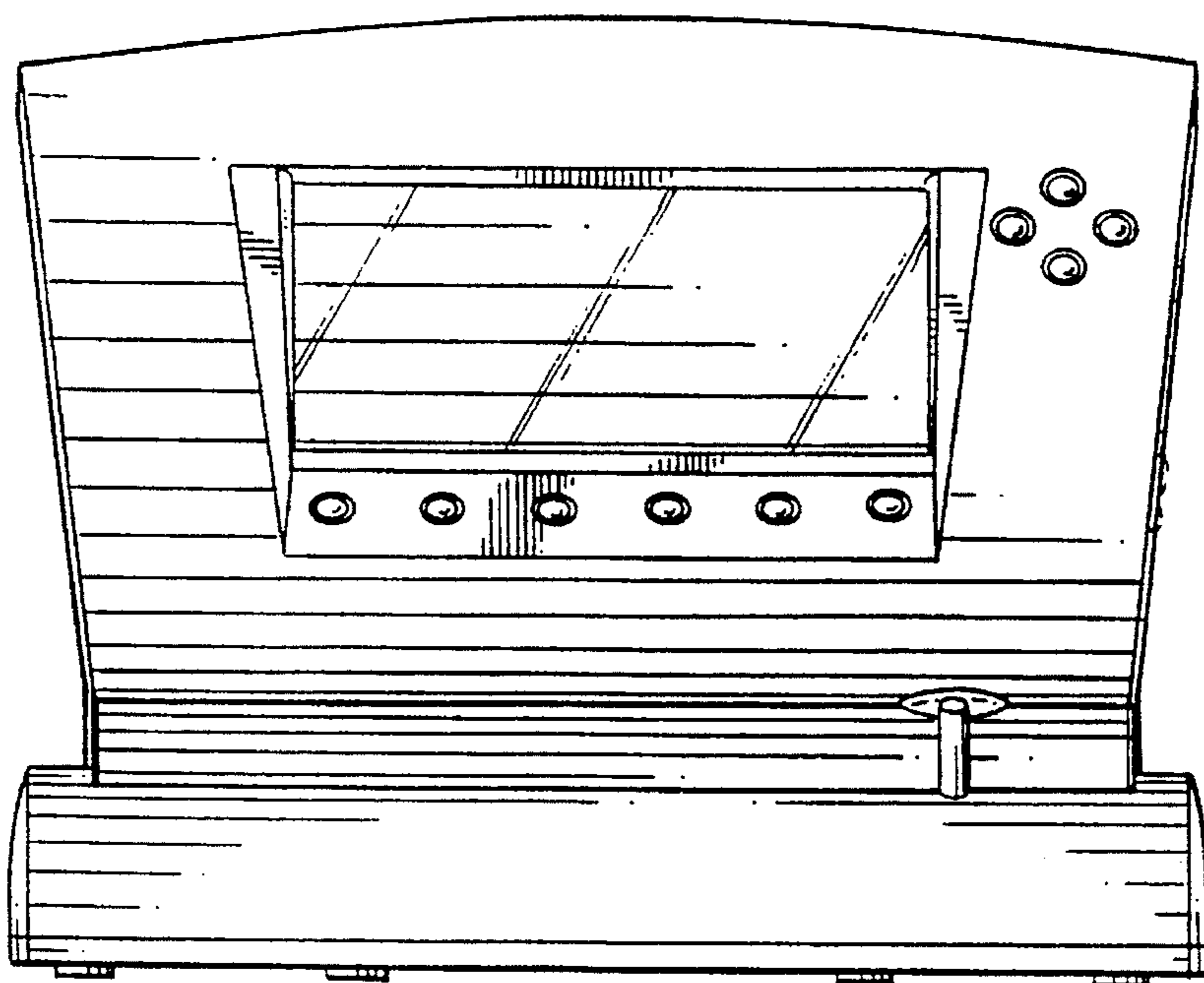


FIG. 9

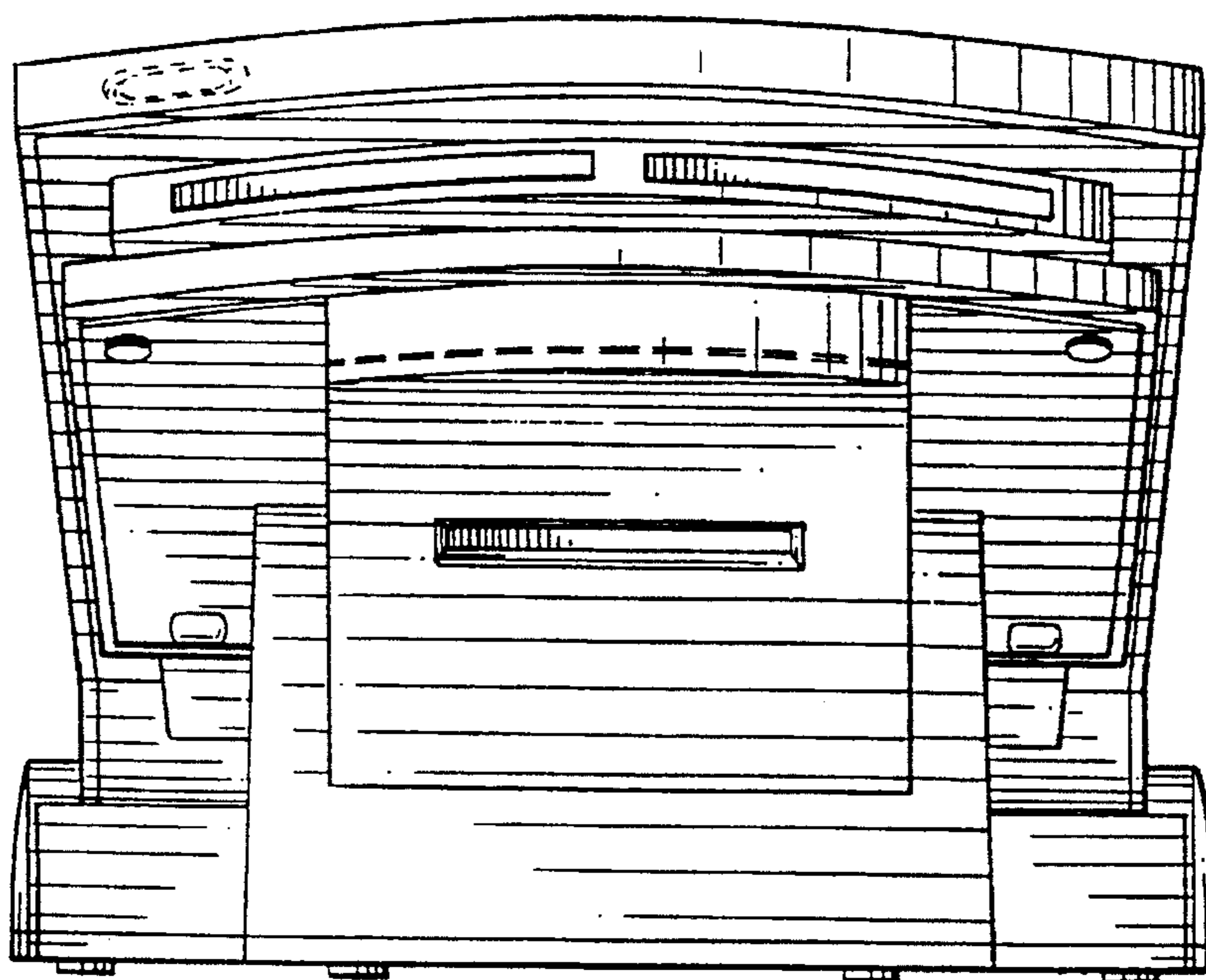


FIG. 10

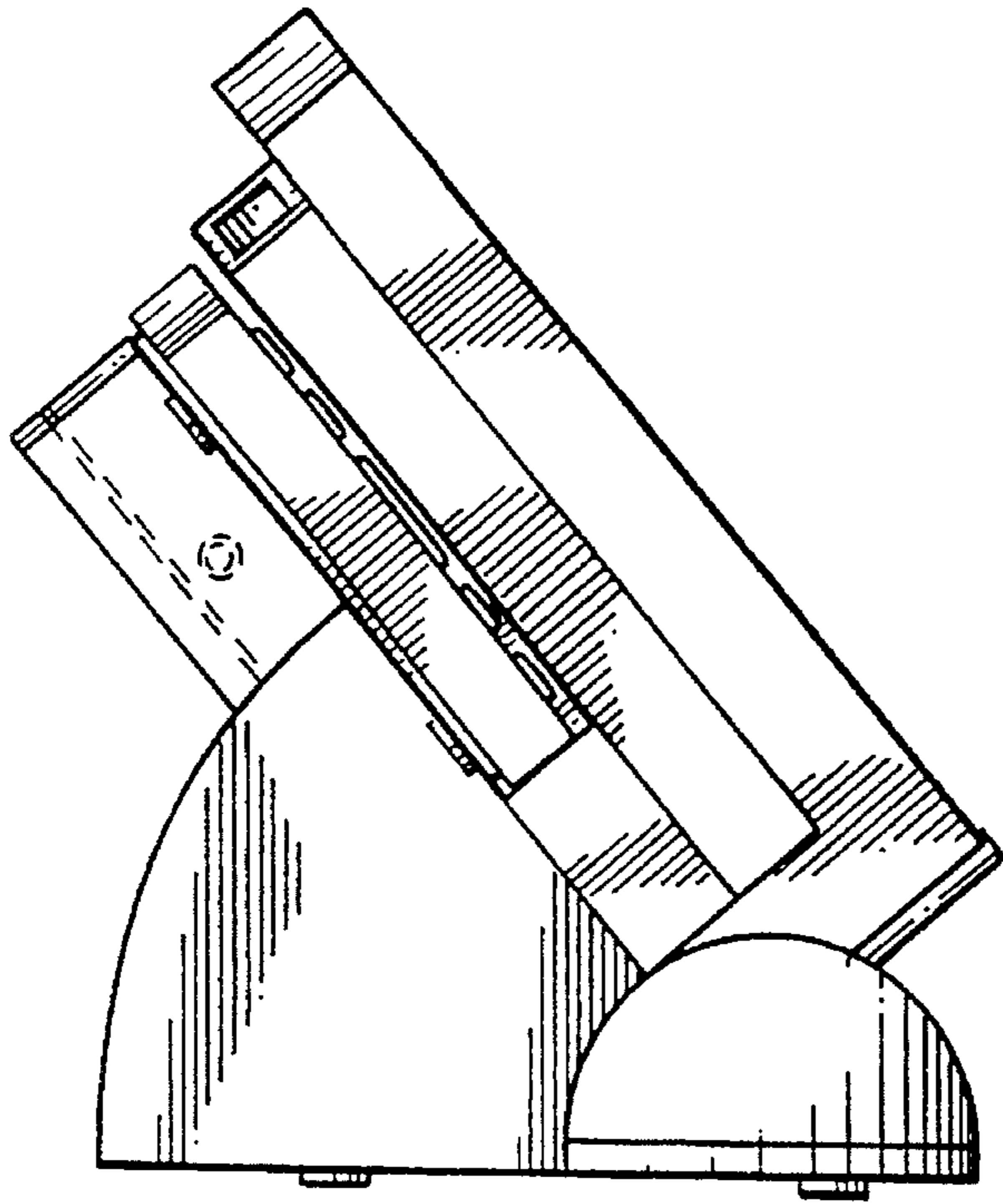


FIG. 11

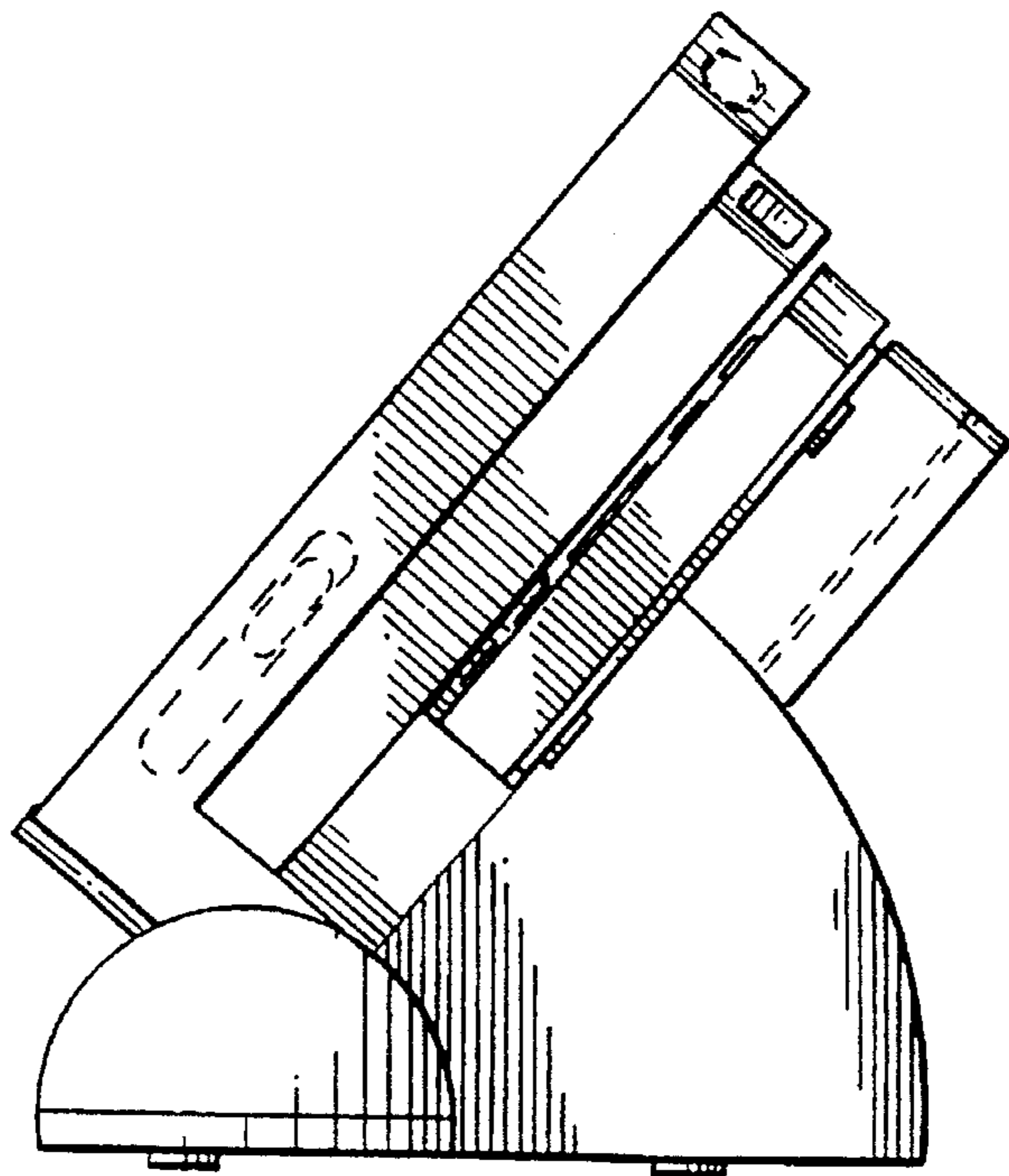


FIG. 12

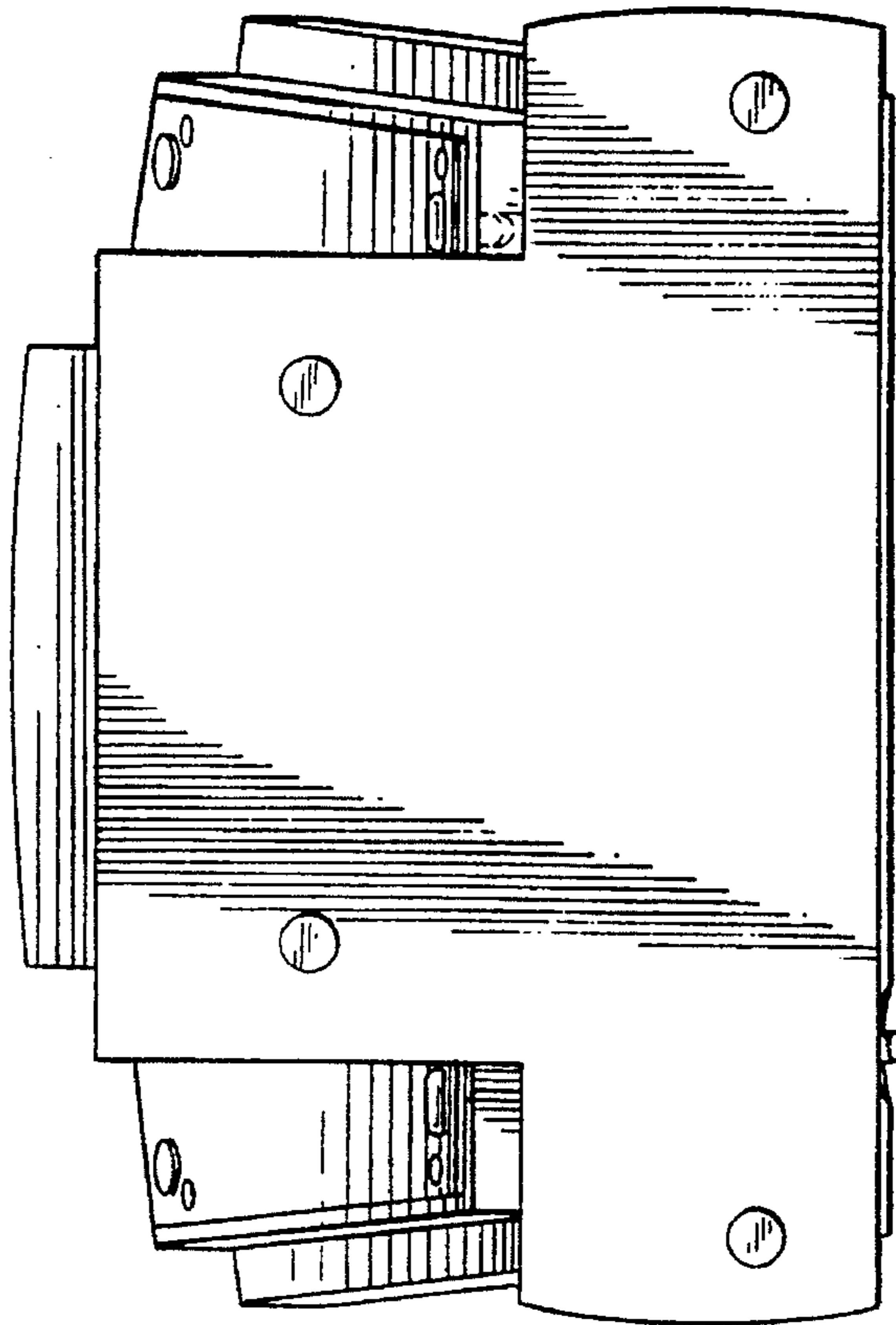


FIG. 14

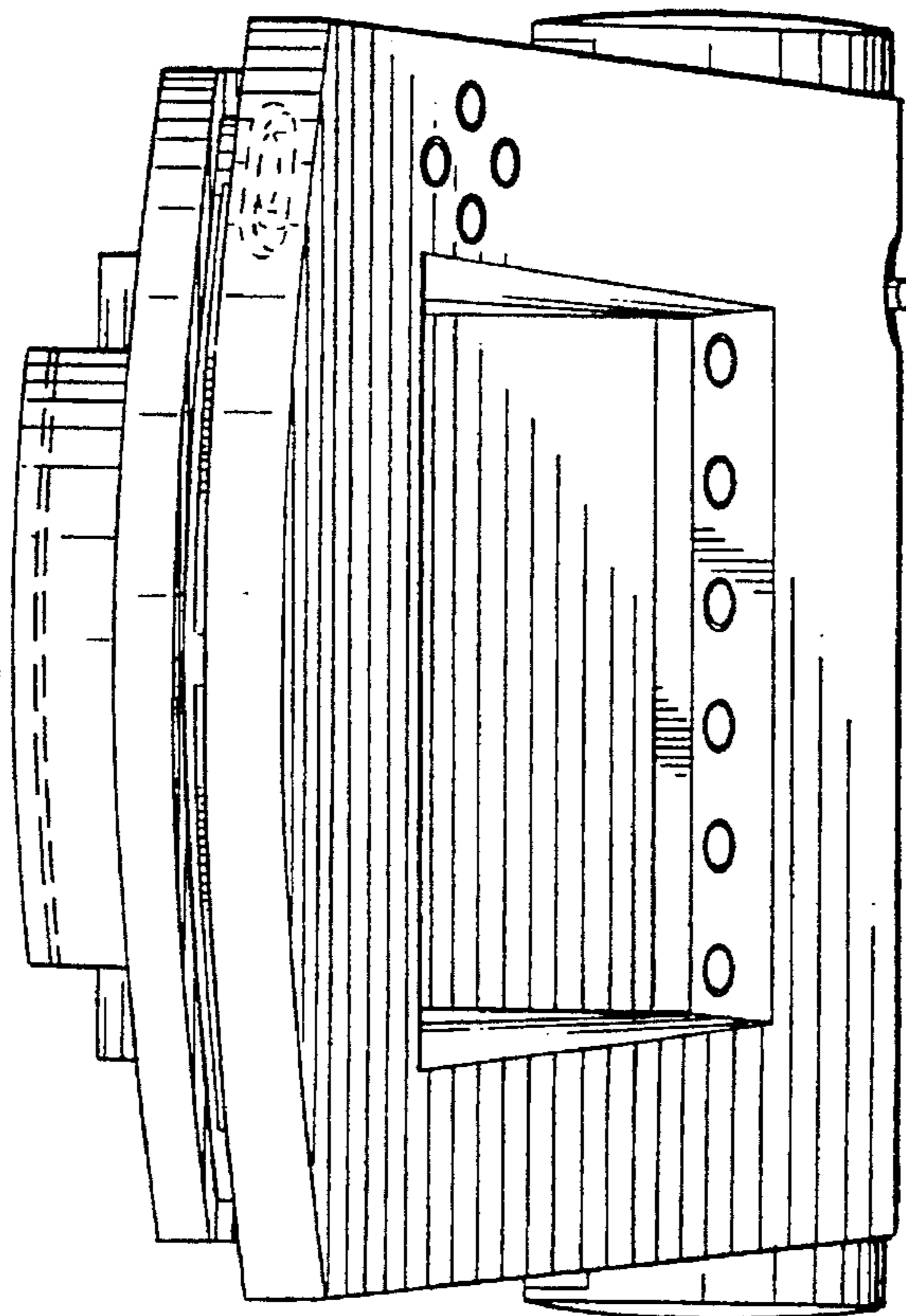


FIG. 13



FIG. 16

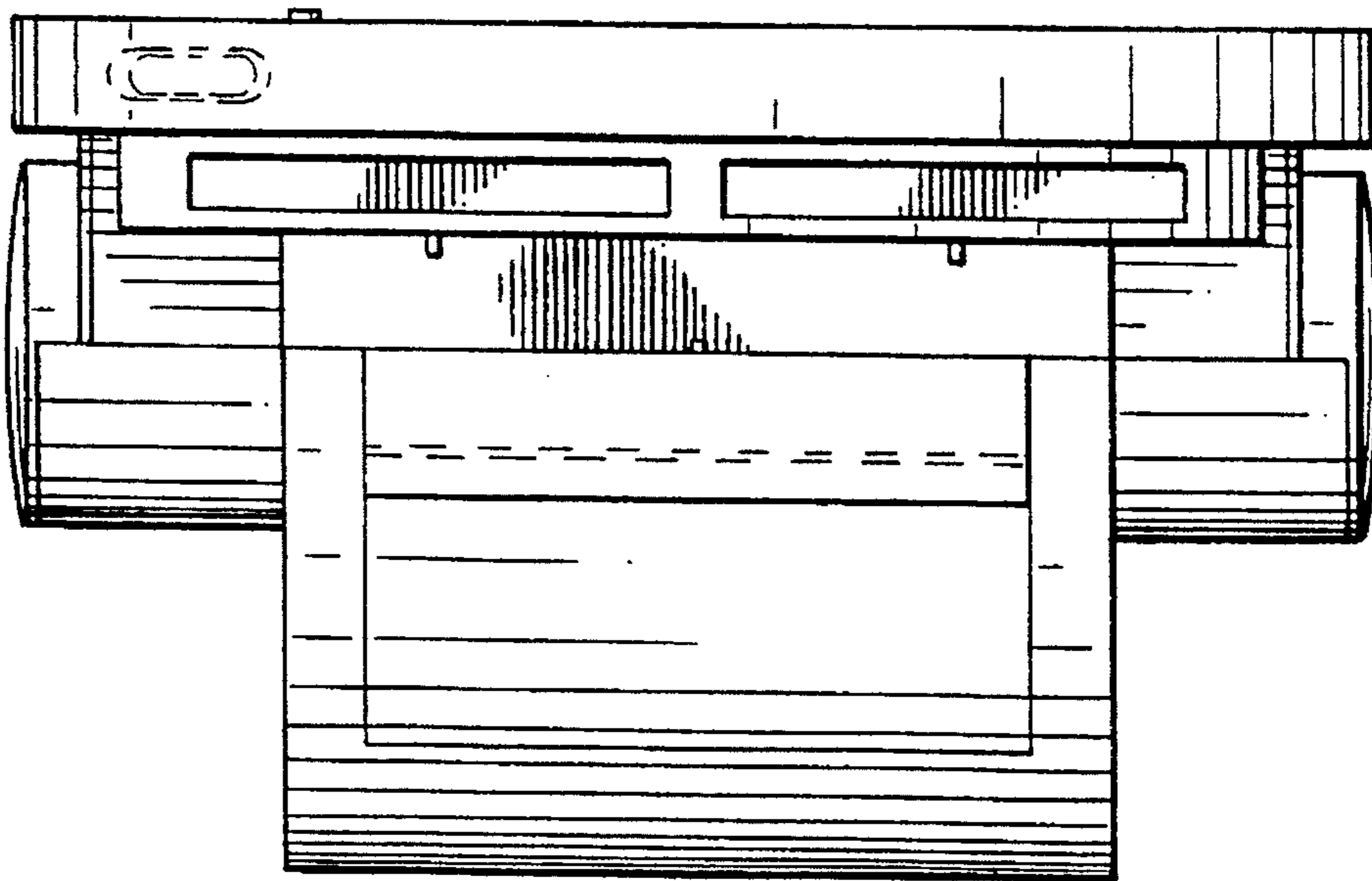


FIG. 15